



US00D872546S

(12) **United States Design Patent** (10) **Patent No.:** **US D872,546 S**  
**Landreville et al.** (45) **Date of Patent:** **\*\* Jan. 14, 2020**

(54) **HANDLE**  
(71) Applicant: **GARANT GP**, Saint-François (CA)  
(72) Inventors: **Marc-André Landreville**, Montreal (CA); **Johnathan Côté**, Boucherville (CA)

D398,202 S 9/1998 Tisbo et al.  
5,826,929 A 10/1998 Tisbo et al.  
5,826,930 A 10/1998 Whitehead et al.  
D402,172 S 12/1998 Tisbo et al.  
D405,573 S 2/1999 Tisbo et al.  
D409,886 S 5/1999 Whitehead et al.  
D411,420 S \* 6/1999 Rose ..... D8/10  
(Continued)

(73) Assignee: **GARANT GP**, Saint-Francois (CA)

**FOREIGN PATENT DOCUMENTS**

(\*\*) Term: **15 Years**

CA 122405 D 4/2009  
CA 153937 D 6/2014  
CA 153938 D 6/2014

(21) Appl. No.: **29/635,905**

(22) Filed: **Feb. 5, 2018**

**OTHER PUBLICATIONS**

(51) **LOC (12) Cl.** ..... **08-01**  
(52) **U.S. Cl.**  
USPC ..... **D8/10; D8/107**

Terraline™ Pointed Spade D-grip—<https://www.gardena.com/ca-en/products/soil-ground/spades-shovels/terraline-pointed-spade/966763601/> (Jan. 24, 2018).

(58) **Field of Classification Search**  
USPC ..... D8/1, 7, 10, 107, 303, 307, 315, 317, D8/322; D21/483, 532  
CPC .... E01H 5/00; E01H 5/02; E01H 5/12; A01B 1/00; A01B 1/02; A01B 1/022; A01B 1/16; A01B 1/026; A01B 1/22; B25G 1/00; B25G 1/04; B25G 1/102; Y10T 16/4713; Y10T 16/476; Y10T 16/473  
See application file for complete search history.

(Continued)

*Primary Examiner* — Sandra S Snapp  
*Assistant Examiner* — Ieisha N Price  
(74) *Attorney, Agent, or Firm* — Lavery, De Billy, LLP; Gwendoline Bruneau

(57) **CLAIM**

The ornamental design for a handle, as shown and described.

(56) **References Cited**

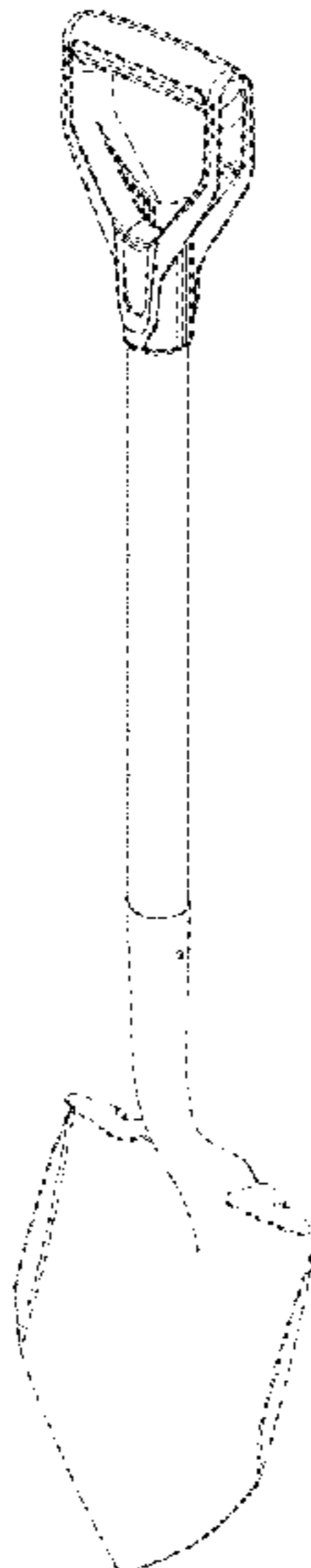
**DESCRIPTION**

**U.S. PATENT DOCUMENTS**

D189,486 S \* 12/1960 Walsh ..... 294/57  
3,848,915 A 11/1974 Wherry  
D242,520 S 11/1976 Nollar  
D250,083 S 10/1978 Insalaco  
D262,351 S 12/1981 Oas  
D269,490 S \* 6/1983 Germain ..... D8/1  
D300,199 S 3/1989 Ipema  
D331,652 S \* 12/1992 Wu ..... D12/178  
D384,873 S 10/1997 Aquilina  
D388,668 S \* 1/1998 Rich ..... D8/10  
D392,520 S 3/1998 Tisbo et al.  
D397,279 S 8/1998 Rich et al.

FIG. 1 is perspective view of the new design;  
FIG. 2 is a front view thereof;  
FIG. 3 is a rear side view thereof;  
FIG. 4 is a first side view thereof;  
FIG. 5 is a second side view thereof;  
FIG. 6 is a top view thereof; and,  
FIG. 7 is a bottom view thereof.  
The broken lines shown in FIGS. 1-7 illustrate portions that form no part of the claimed design.

**1 Claim, 5 Drawing Sheets**



(56)

References Cited

U.S. PATENT DOCUMENTS

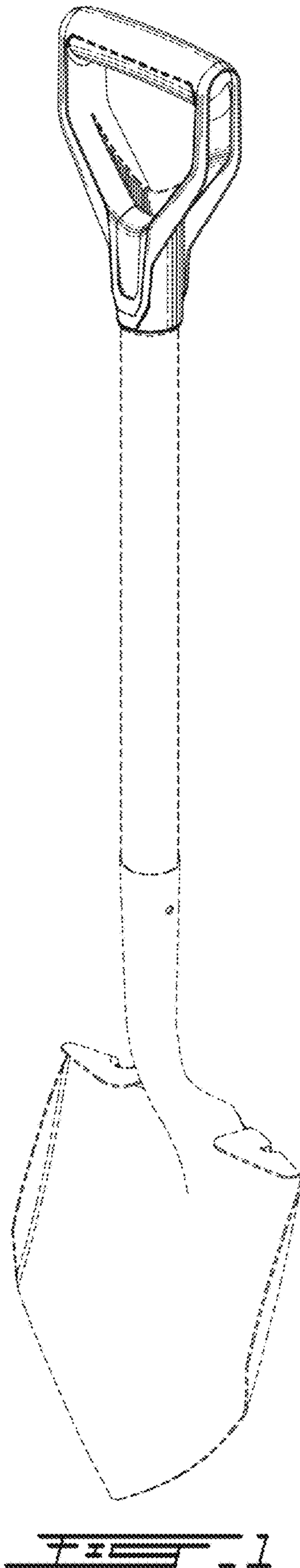
D413,774 S 9/1999 Spear  
 5,951,078 A 9/1999 Whitehead et al.  
 D417,825 S 12/1999 Tisbo et al.  
 D435,406 S 12/2000 Alexandre et al.  
 D437,532 S 2/2001 Petruzzelli  
 D459,641 S \* 7/2002 Guneyasu ..... D8/10  
 6,412,841 B1 \* 7/2002 Loraas ..... A01B 1/00  
 15/257.7  
  
 D466,389 S 12/2002 Clivio  
 D475,601 S 6/2003 Huang  
 D486,043 S 2/2004 Bennett  
 D487,680 S 3/2004 Sickler et al.  
 D495,934 S 9/2004 Lin  
 D506,654 S 6/2005 Costa  
 D516,881 S 3/2006 Conaway et al.  
 D517,875 S 3/2006 Conaway et al.  
 D519,820 S 5/2006 Newman et al.  
 D527,960 S 9/2006 Fortier  
 D534,045 S 12/2006 Fortier  
 D548,550 S 8/2007 Yeh  
 D563,181 S 3/2008 Gailey  
 D569,697 S 5/2008 Baker  
 D570,653 S 6/2008 Baker  
 D572,094 S 7/2008 Rosine et al.  
 D588,883 S 3/2009 Randolph et al.  
 D592,920 S 5/2009 Boies et al.  
 D596,906 S 7/2009 Boies et al.  
 D602,751 S 10/2009 Boies et al.  
 D603,229 S 11/2009 Atnip et al.

D604,126 S 11/2009 Boies et al.  
 D604,573 S 11/2009 Boies et al.  
 D606,817 S 12/2009 Boies  
 D606,818 S 12/2009 Atnip et al.  
 D611,316 S 3/2010 Boies et al.  
 D613,567 S 4/2010 Atnip et al.  
 7,753,421 B2 7/2010 Conaway et al.  
 D623,807 S \* 9/2010 Teren ..... D30/162  
 D637,874 S \* 5/2011 Blanchard ..... D8/10  
 D644,907 S 9/2011 Blanchard  
 D650,250 S 12/2011 Frenkel  
 D653,931 S 2/2012 Blanchard  
 D670,150 S 11/2012 Angel et al.  
 D670,151 S 11/2012 Angel et al.  
 D678,012 S \* 3/2013 Arcati ..... D8/1  
 D711,703 S 8/2014 Boies  
 D712,220 S 9/2014 Boies  
 D716,119 S \* 10/2014 Elston ..... D8/10  
 D719,418 S 12/2014 Boies  
 2008/0196205 A1 \* 8/2008 Hixon ..... A01B 1/026  
 16/426  
 2014/0338231 A1 \* 11/2014 Hung ..... E01H 5/02  
 37/265  
 2017/0370058 A1 \* 12/2017 Herrera ..... E01H 5/02

OTHER PUBLICATIONS

Xact Digging Spade L—<http://www.fiskars.co.uk/products/gardening/shovels-spades/xact-digging-spade-l-1003683> (Jan. 25, 2018).

\* cited by examiner



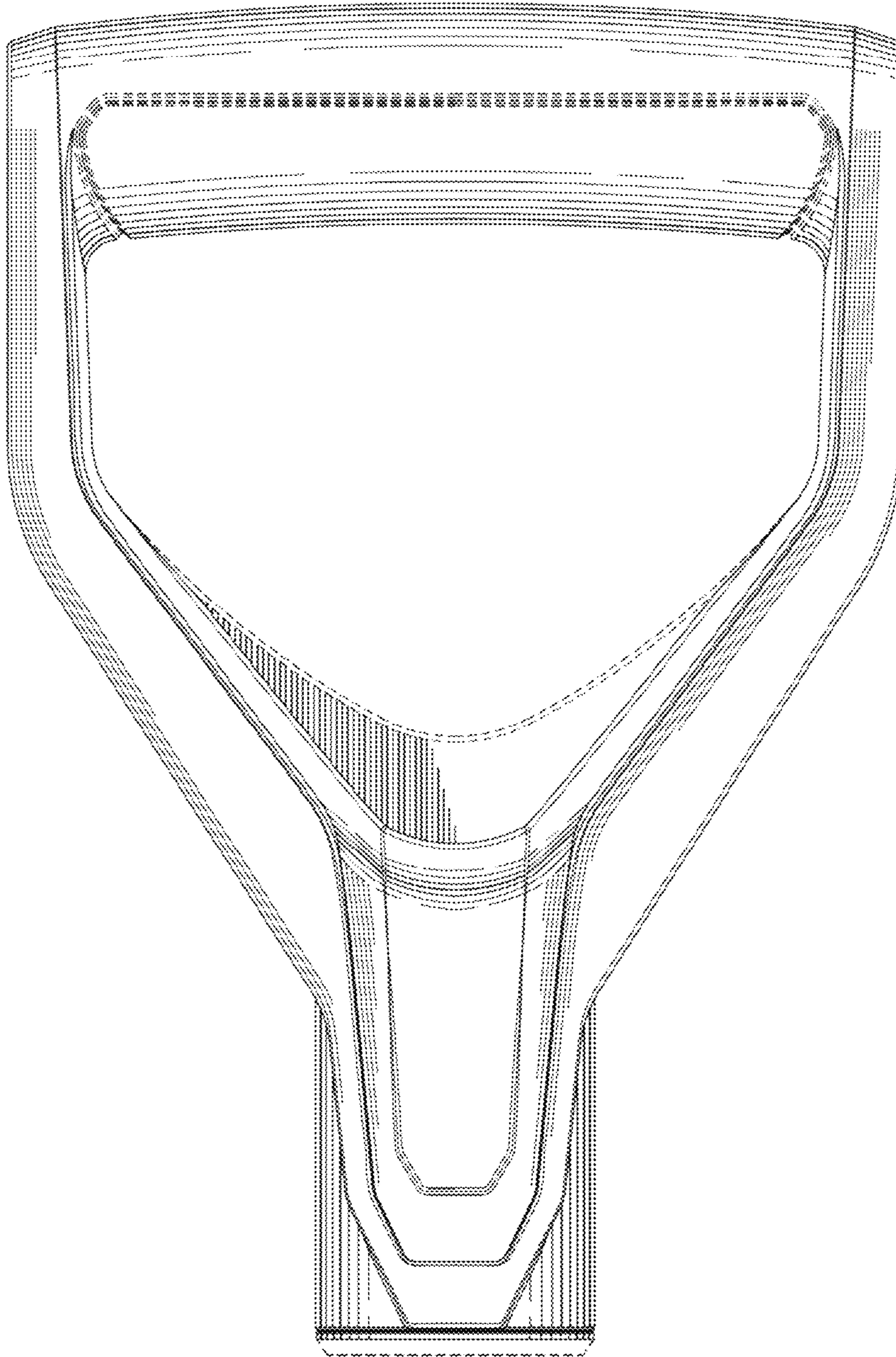


FIG. 2

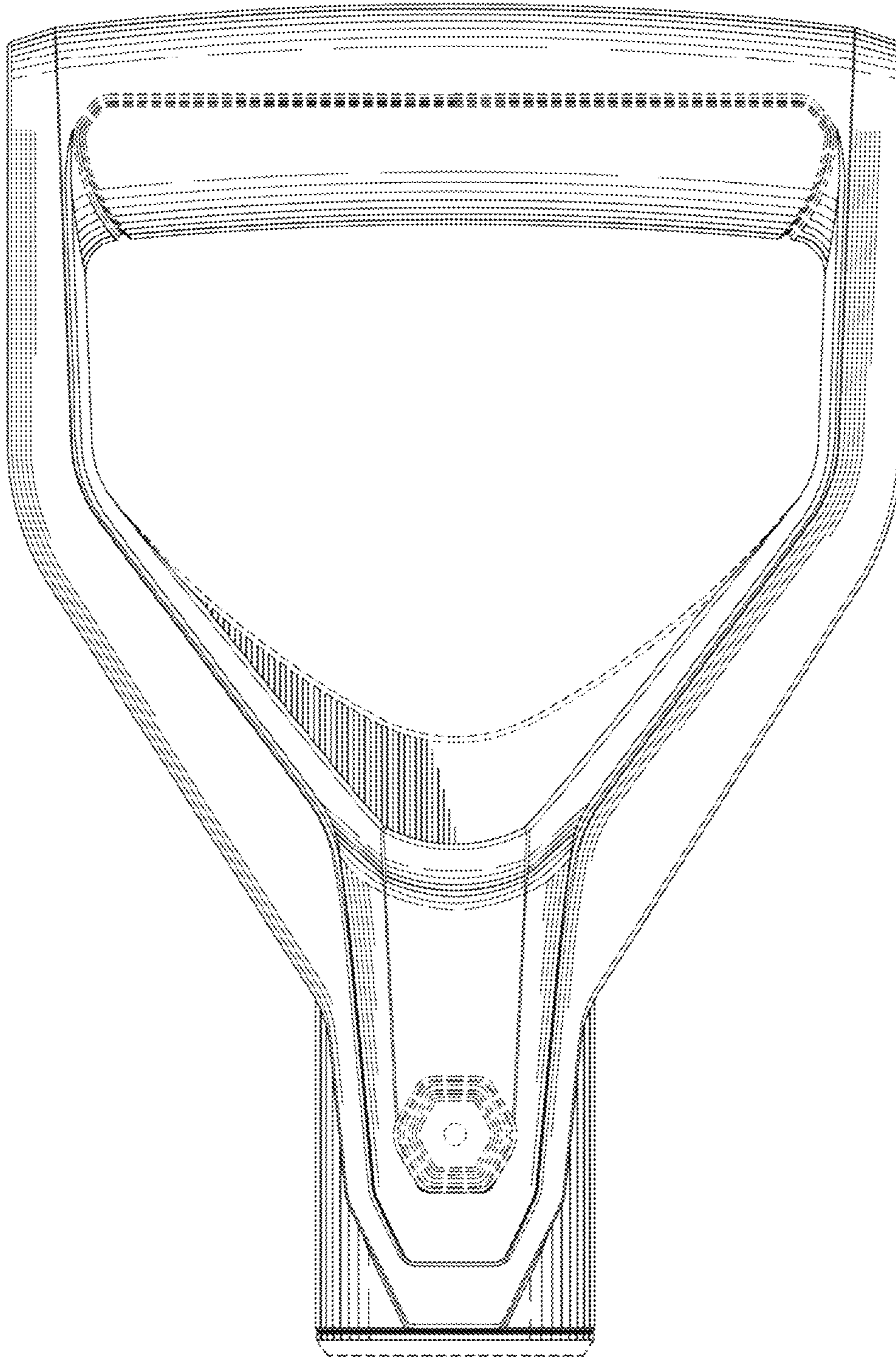


FIG. 3

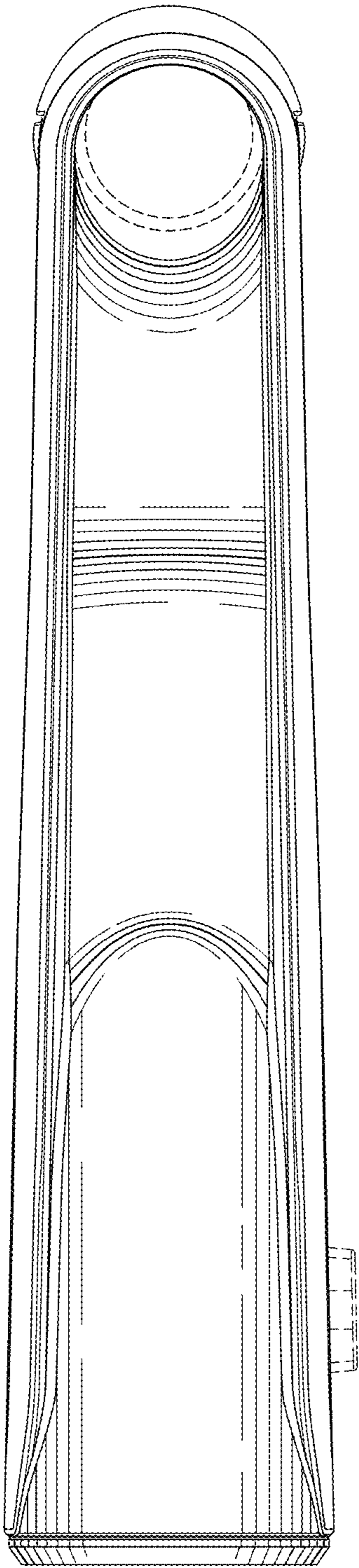


FIG. 4

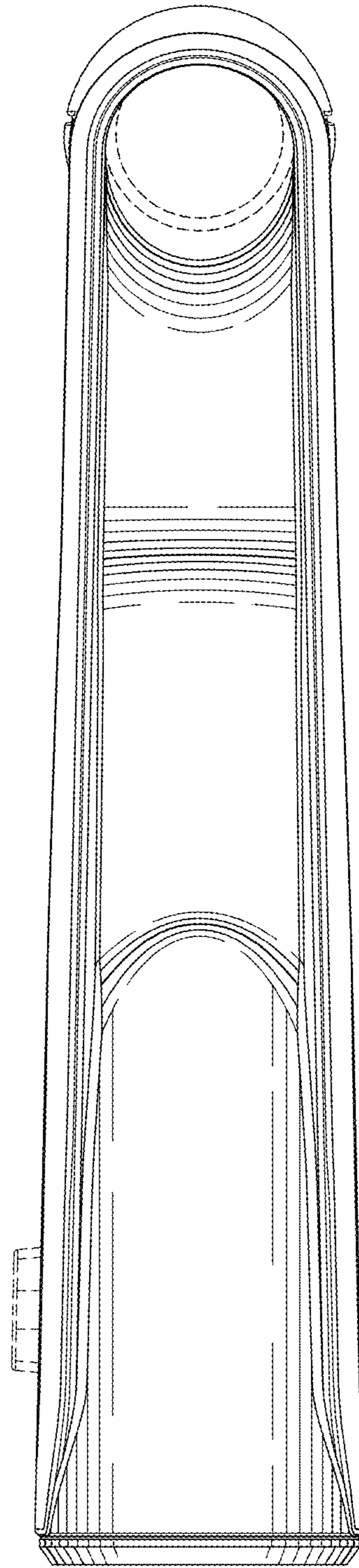


FIG. 5

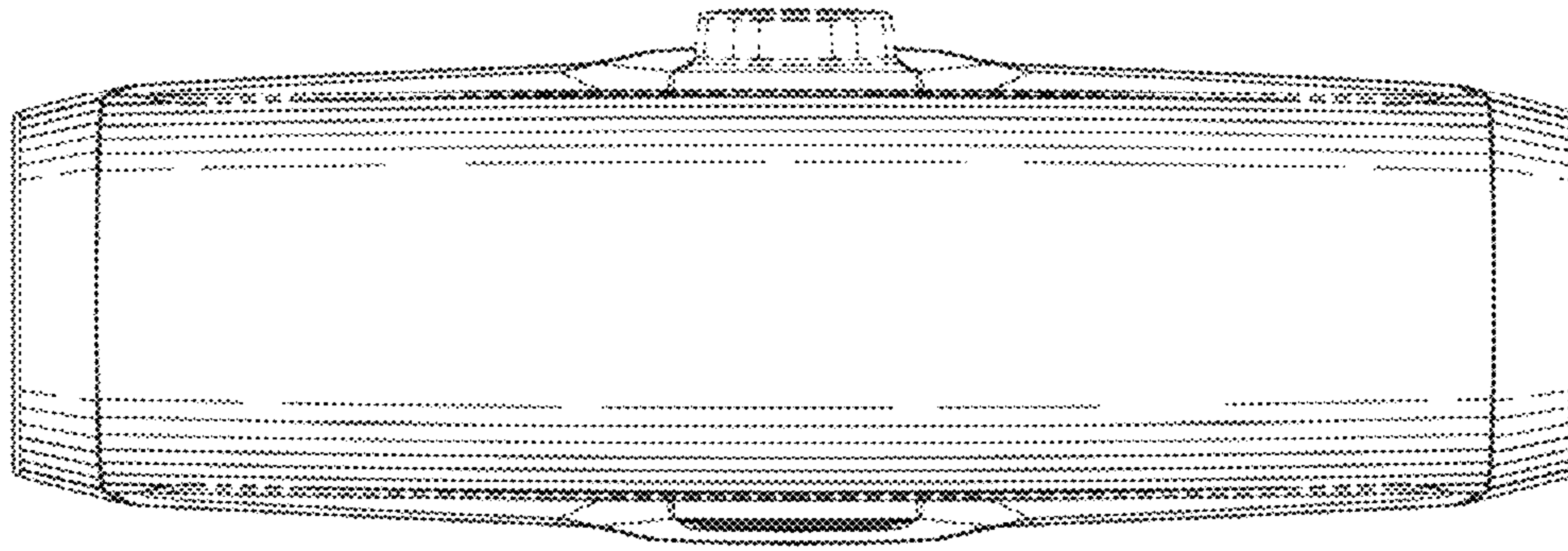


FIG. 6

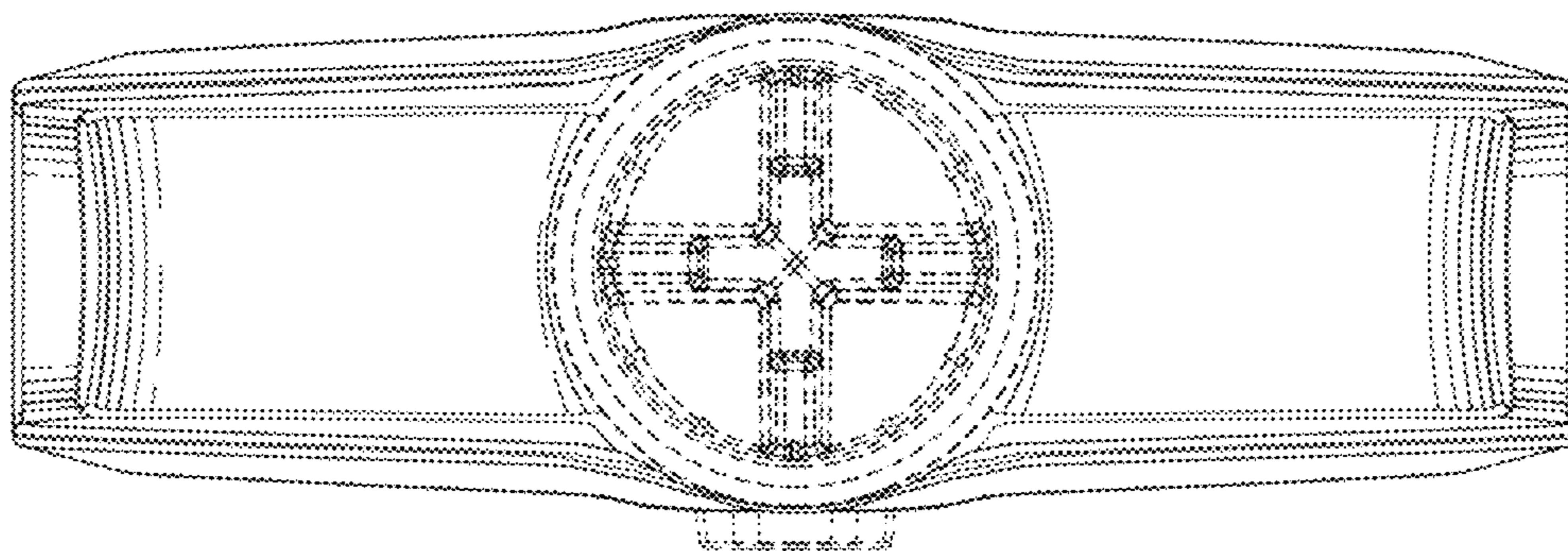


FIG. 7