



US00D872545S

(12) **United States Design Patent**
Hoerth

(10) **Patent No.:** **US D872,545 S**

(45) **Date of Patent:** **** Jan. 14, 2020**

(54) **FOOD CUTTER**

(71) Applicant: **KUHN RIKON AG**, Rikon im Tösstal (CH)

(72) Inventor: **Michael Hoerth**, Rikon (CH)

(73) Assignee: **Kuhn Rikon AG**, Zürich (CH)

(**) Term: **15 Years**

(21) Appl. No.: **35/505,413**

(22) Filed: **Feb. 8, 2018**

(80) **Hague Agreement Data**

Int. Filing Date: **Feb. 8, 2018**

Int. Reg. No.: **DM/099836**

Int. Reg. Date: **Feb. 8, 2018**

Int. Reg. Pub. Date: **Aug. 10, 2018**

(51) **LOC (12) Cl.** **07-06**

(52) **U.S. Cl.**

USPC **D7/693**

(58) **Field of Classification Search**

USPC D7/368, 381, 387, 393, 412, 414, 665,
D7/666, 693-696, 669, 672-674, 679,
D7/686; D8/98, 99

CPC A47J 19/005; A47J 19/00; A47J 17/02;
A47J 17/00; A47J 43/25

See application file for complete search history.

(56) **References Cited**

U.S. PATENT DOCUMENTS

D173,814 S * 1/1955 Morishita D7/696
2,938,267 A * 5/1960 Tupper A47J 17/00
30/142

D379,736 S * 6/1997 Simmons D7/368
D390,428 S * 2/1998 Chen D7/695

D468,595 S * 1/2003 Lillelund D7/666
D483,628 S * 12/2003 Smith D7/693
D503,875 S * 4/2005 Ronan D7/693
D776,991 S * 1/2017 Ryun D7/693
D811,830 S * 3/2018 Khubani D7/696
D812,439 S * 3/2018 Wu D7/693
D828,123 S * 9/2018 Stewart D7/693

OTHER PUBLICATIONS

Melon Slicer, by Kuhn Rikon, Amazon [online], first available Feb. 7, 2018, [retrieved on May 13, 2019]. Retrieved from the Internet, URL: <https://www.amazon.com/Kuhn-Rikon-26335-Melon-Slicer/dp/B079NWM1XF>.*

* cited by examiner

Primary Examiner — Nicole C Shiftlet

(74) *Attorney, Agent, or Firm* — The Webb Law Firm

(57) **CLAIM**

The ornamental design for a food cutter, as shown and described.

DESCRIPTION

1. Food cutter

1.1 is a top front perspective view of a food cutter showing my new design;

1.2 is a left side view thereof;

1.3 is a right side view thereof;

1.4 is a top view thereof;

1.5 is a bottom view thereof;

1.6 is a front elevation view thereof;

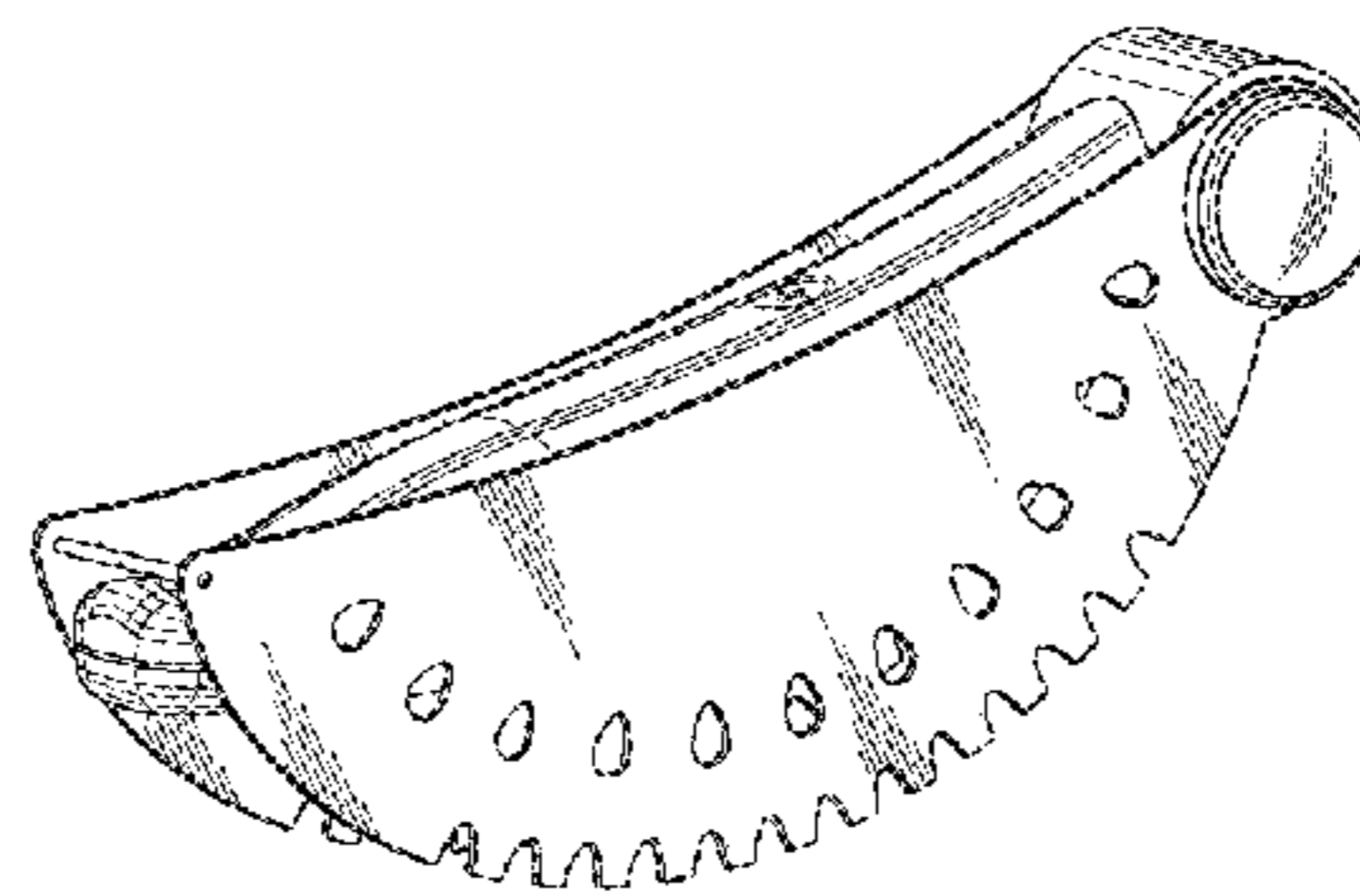
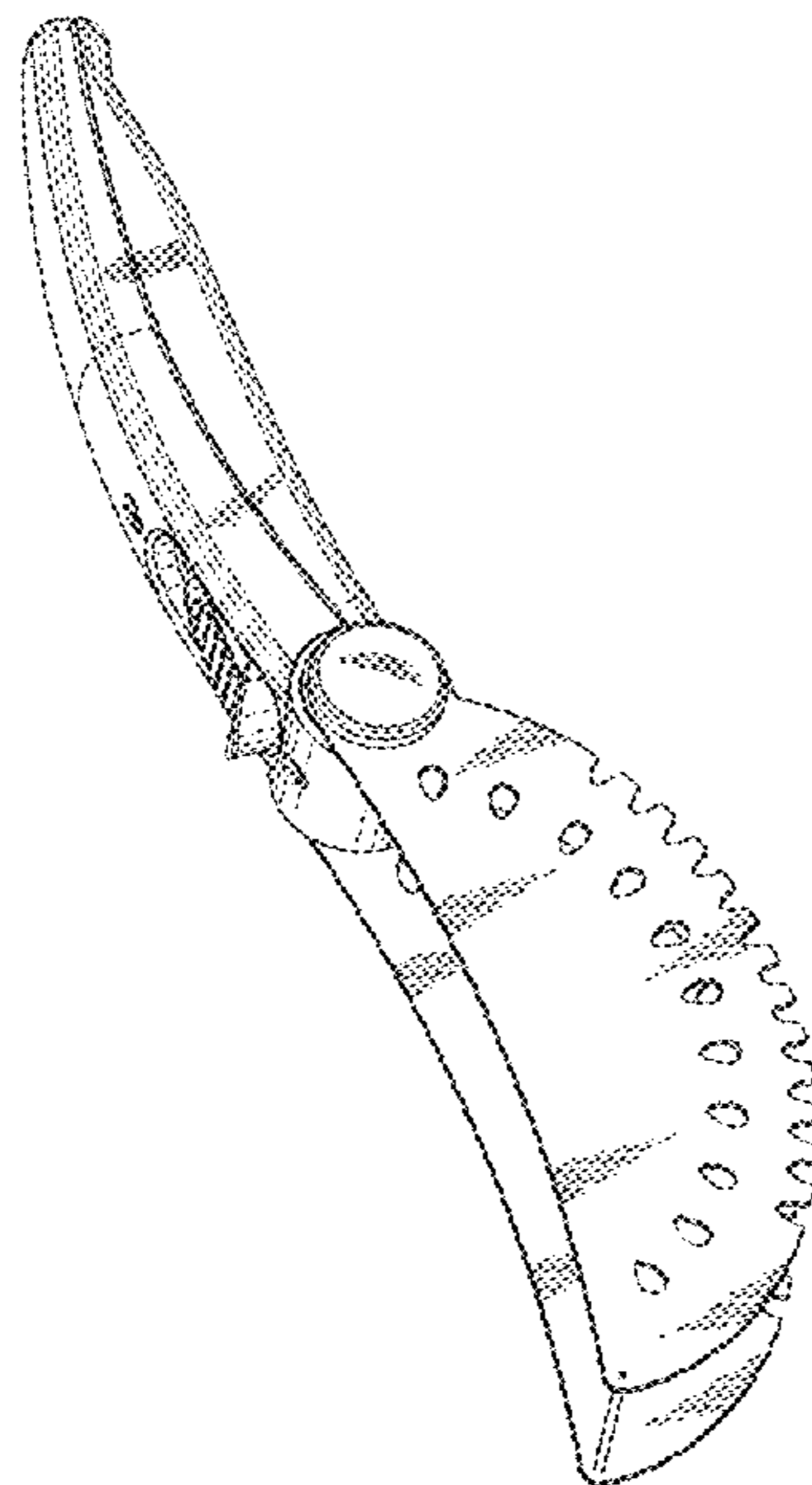
1.7 is a rear elevation view thereof;

1.8 is a top perspective view thereof in a closed state; and

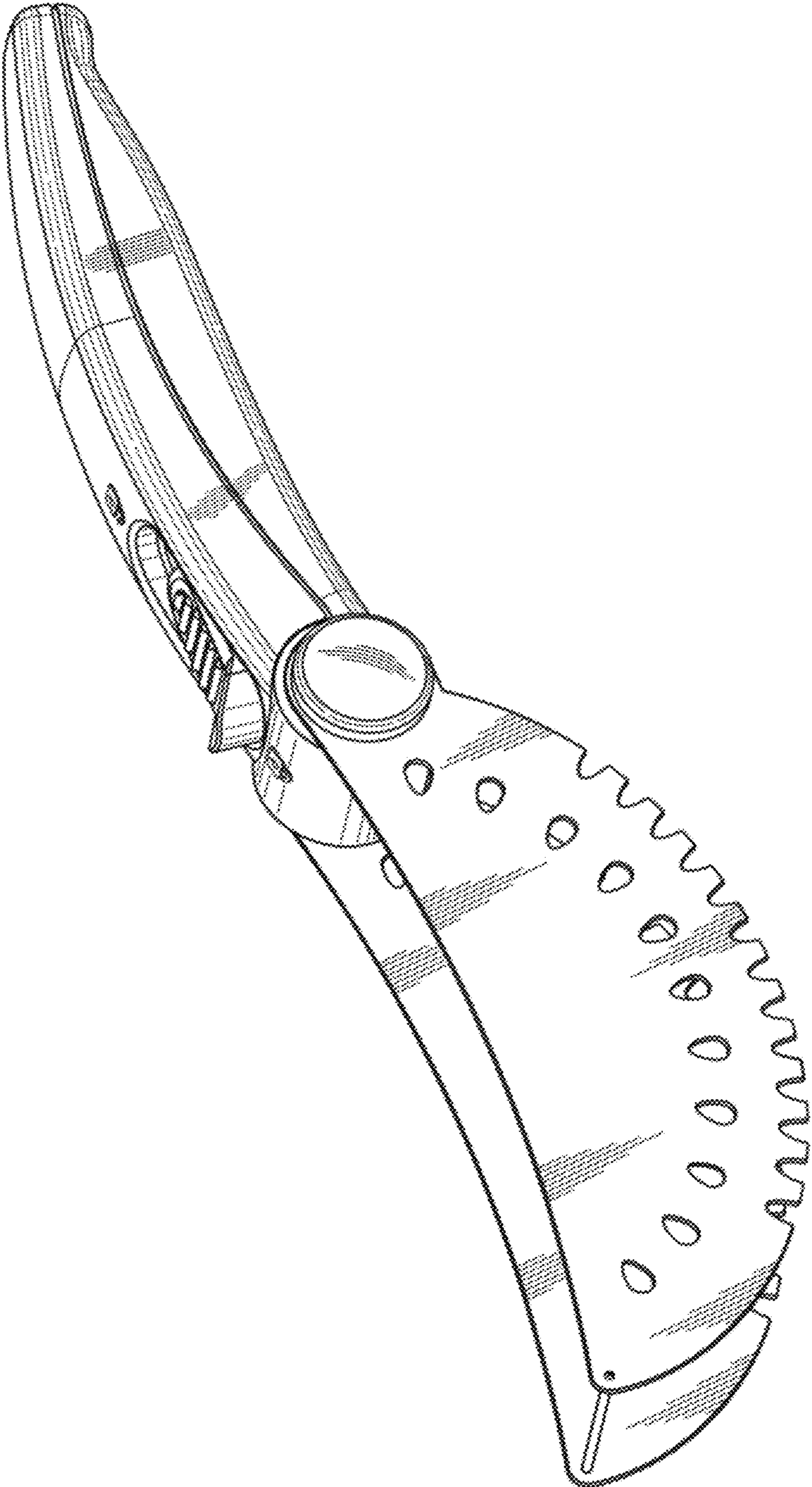
1.9 is a bottom perspective view thereof in a closed state.

Reproductions **1.1-1.7** show the food cutter in an open state; reproductions **1.8-1.9** show the food cutter in a closed state.

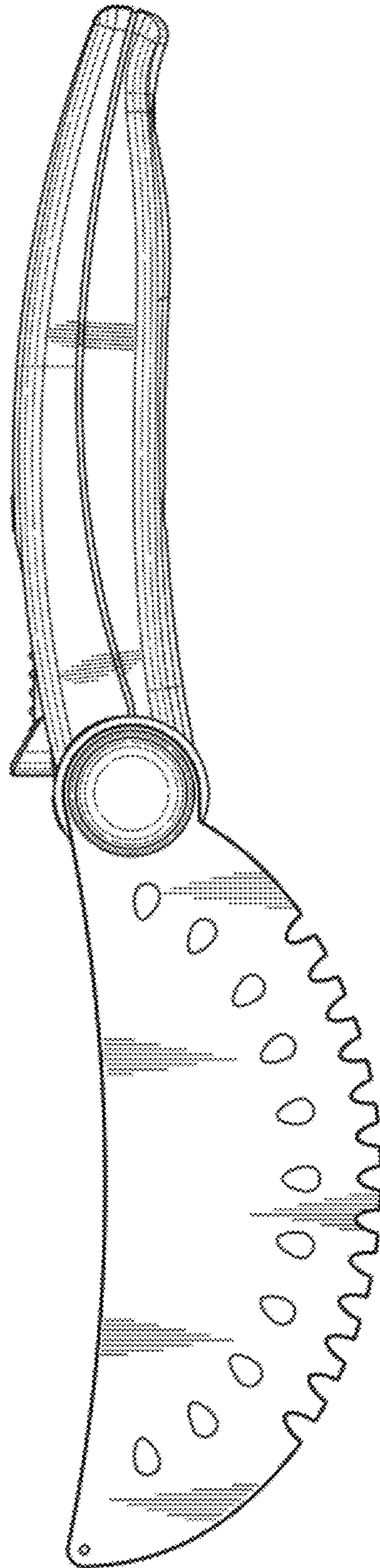
1 Claim, 9 Drawing Sheets



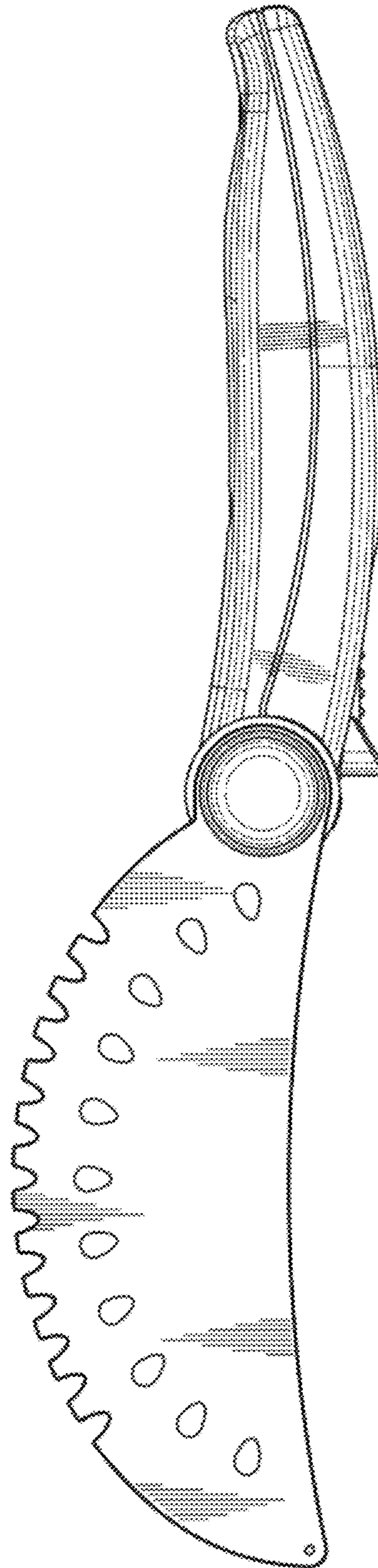
1.1



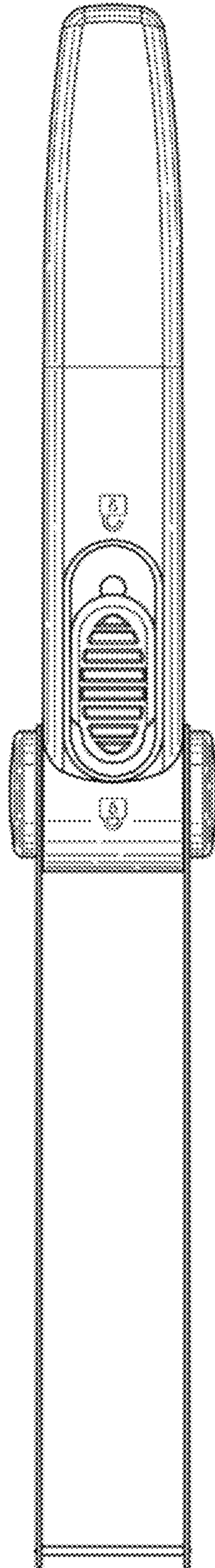
1.2



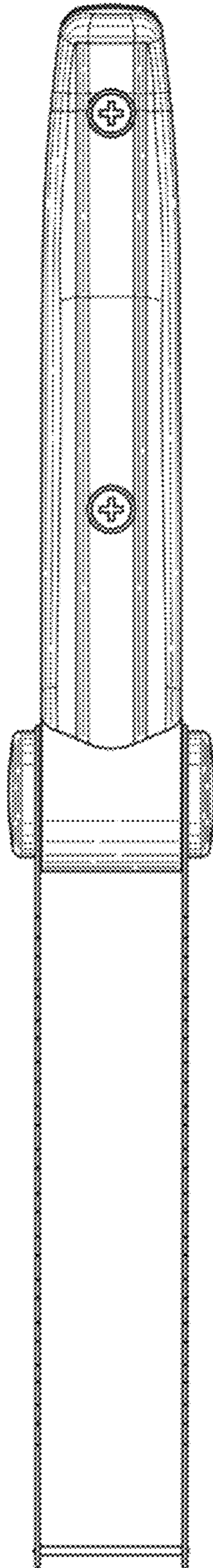
1.3



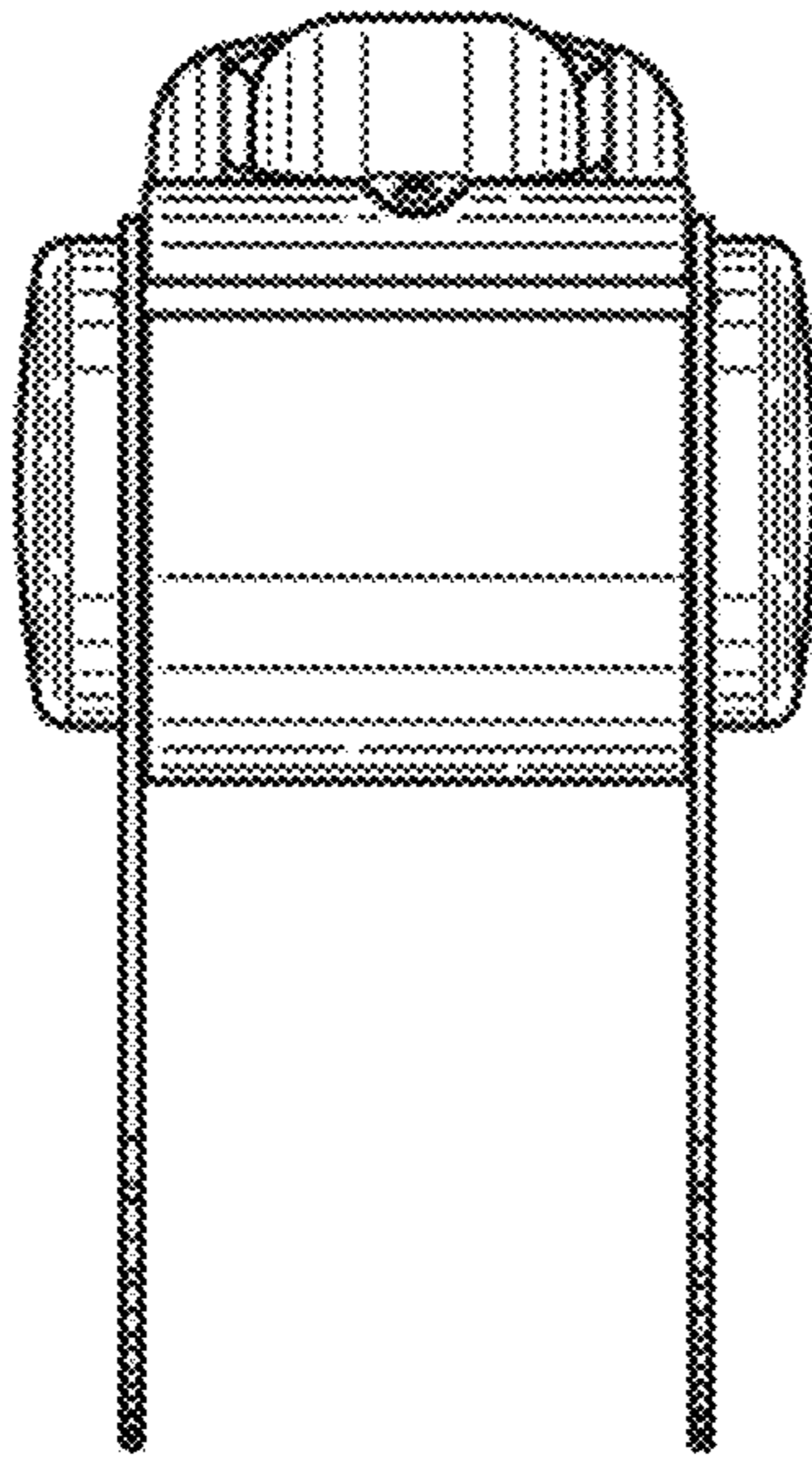
1.4



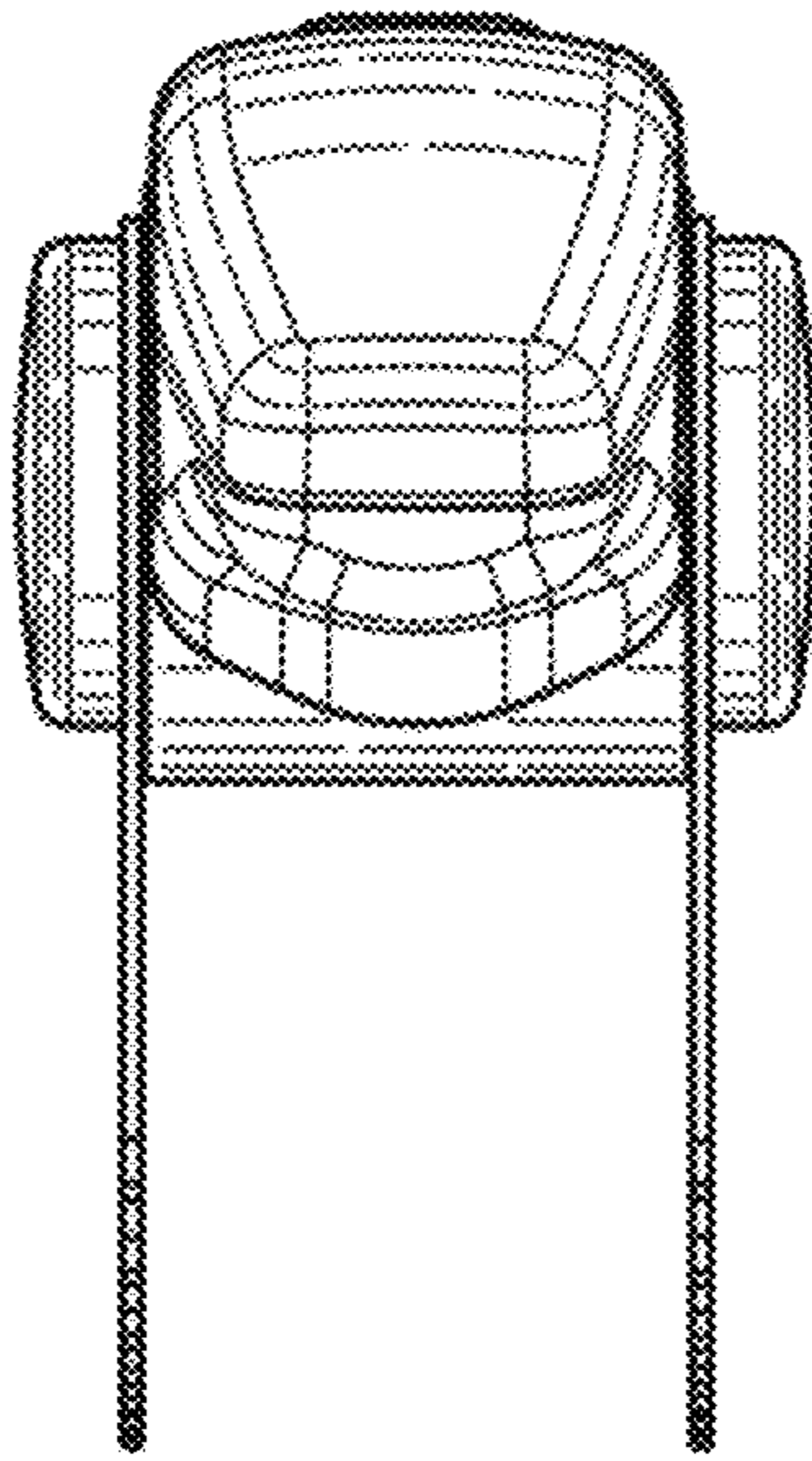
1.5



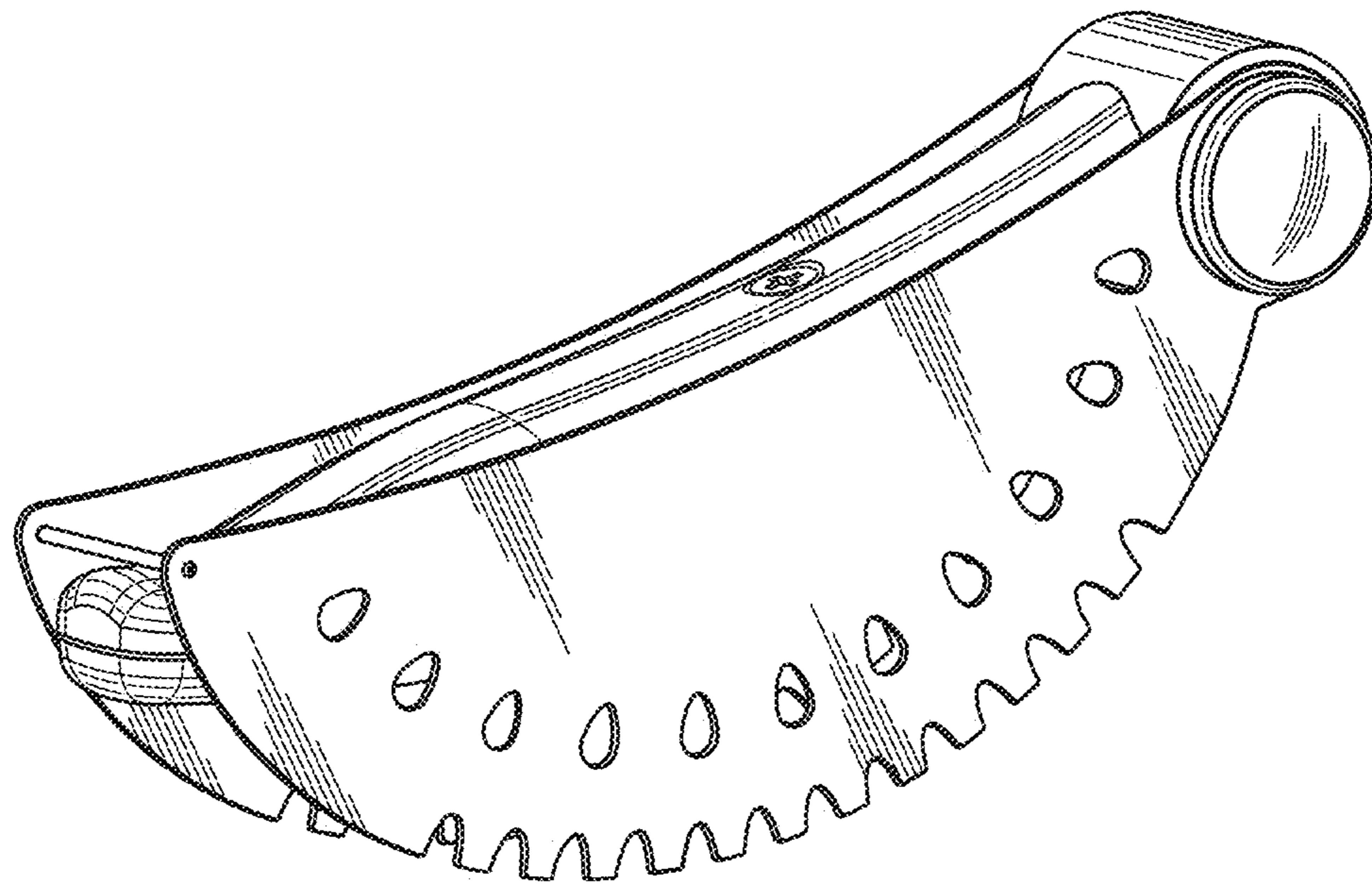
1.6



1.7



1.8



1.9

