



US00D872543S

(12) **United States Design Patent** (10) **Patent No.:** **US D872,543 S**
Hiltenbrand (45) **Date of Patent:** **** Jan. 14, 2020**

(54) **GARLIC PRESS**
(71) Applicant: **KUHN RIKON AG**, Rikon im Tösstal (CH)

(72) Inventor: **Valeria Hiltenbrand**
(73) Assignee: **Kuhn Rikon AG**, Zurich (CH)

(**) Term: **15 Years**
(21) Appl. No.: **35/505,425**

(22) Filed: **Feb. 8, 2018**

(80) **Hague Agreement Data**

Int. Filing Date: **Feb. 8, 2018**
Int. Reg. No.: **DM/099960**
Int. Reg. Date: **Feb. 8, 2018**
Int. Reg. Pub. Date: **Aug. 10, 2018**

(51) **LOC (12) Cl.** **31-00**

(52) **U.S. Cl.**
USPC **D7/666**

(58) **Field of Classification Search**
USPC D7/666, 665, 693-696, 669, 672-674,
D7/679, 686, 412, 414, 368, 381, 387,
D7/393; D8/98, 99
CPC A47J 19/00; A47J 19/005; A47J 19/02;
A47J 19/022

See application file for complete search history.

(56) **References Cited**

U.S. PATENT DOCUMENTS

D298,720 S * 11/1988 Bolduc D7/666
5,163,362 A * 11/1992 Gaber A47J 19/005
100/112
D343,550 S * 1/1994 Tanfoglio D7/666
D350,261 S * 9/1994 Ahner D7/666
D390,068 S * 2/1998 Schulze D7/666
D499,615 S * 12/2004 Nordgren D7/674
D499,941 S * 12/2004 Levien D7/666
D548,025 S * 8/2007 Kaposi D7/672
D612,194 S * 3/2010 Kaposi D7/368

D729,595 S * 5/2015 Hauser D7/693
D777,537 S * 1/2017 Repac D7/672
D828,119 S * 9/2018 Popov D7/666
D834,898 S * 12/2018 Audet D7/679

* cited by examiner

Primary Examiner — Nicole C Shiflet

(74) *Attorney, Agent, or Firm* — The Webb Law Firm

(57) **CLAIM**

The ornamental design for a garlic press, as shown and described.

DESCRIPTION

2.1 is an upper rear perspective view of a garlic press, showing my new design in a closed state;

2.2 is a top view thereof;

2.3 is a bottom view thereof;

2.4 is a right side view thereof;

2.5 is a left side view thereof;

2.6 is a front elevation view thereof;

2.7 is a rear elevation view thereof;

2.8 is an upper rear perspective view in an open state;

2.9 is an upper rear perspective view of a first component of the garlic press;

2.10 is a lower rear perspective view thereof;

2.11 is a top view thereof;

2.12 is an upper rear perspective view of a second component of the garlic press;

2.13 is a top view thereof;

2.14 is a right side view thereof;

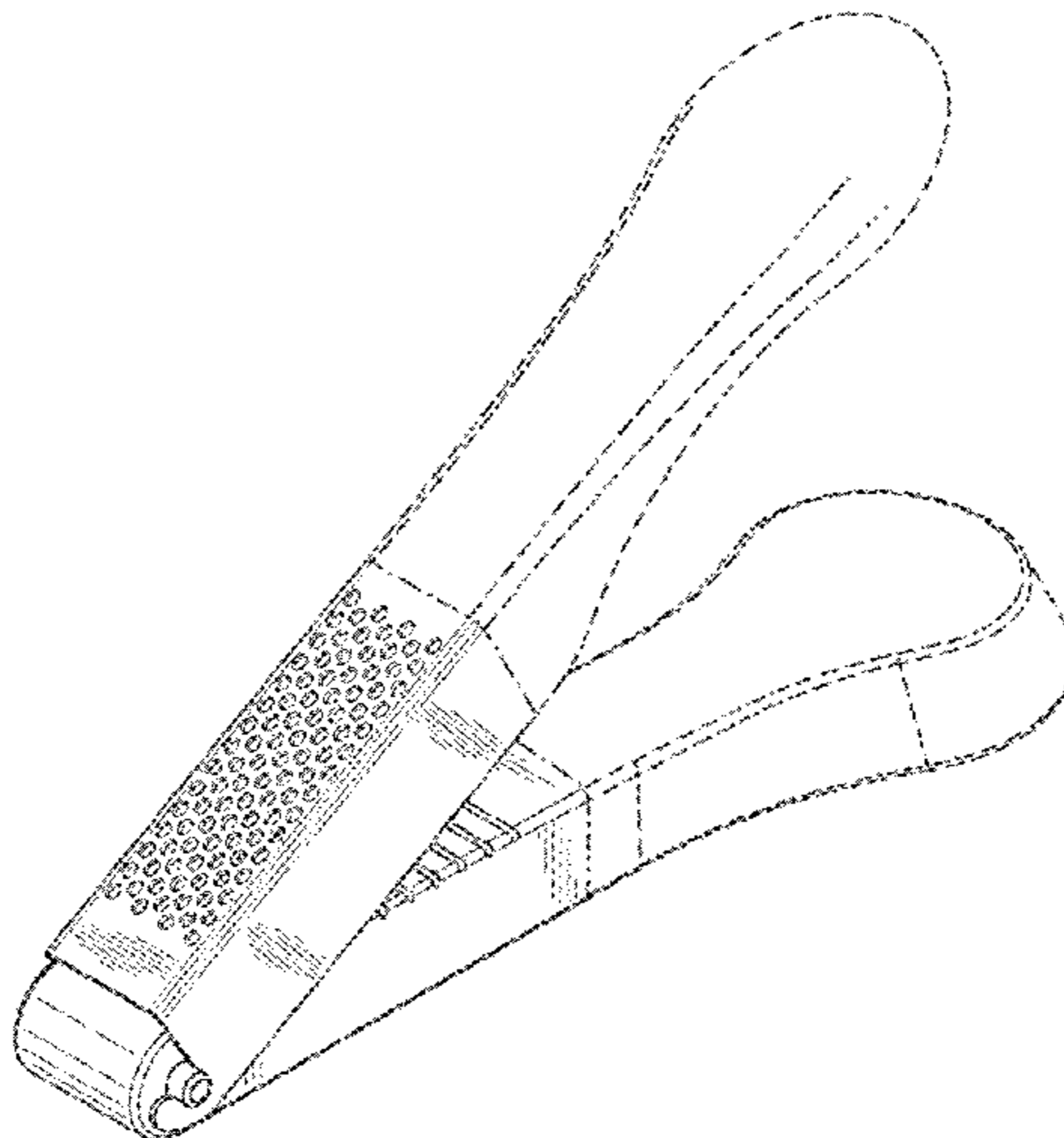
2.15 is a left side view thereof;

2.16 is a front elevation view thereof; and

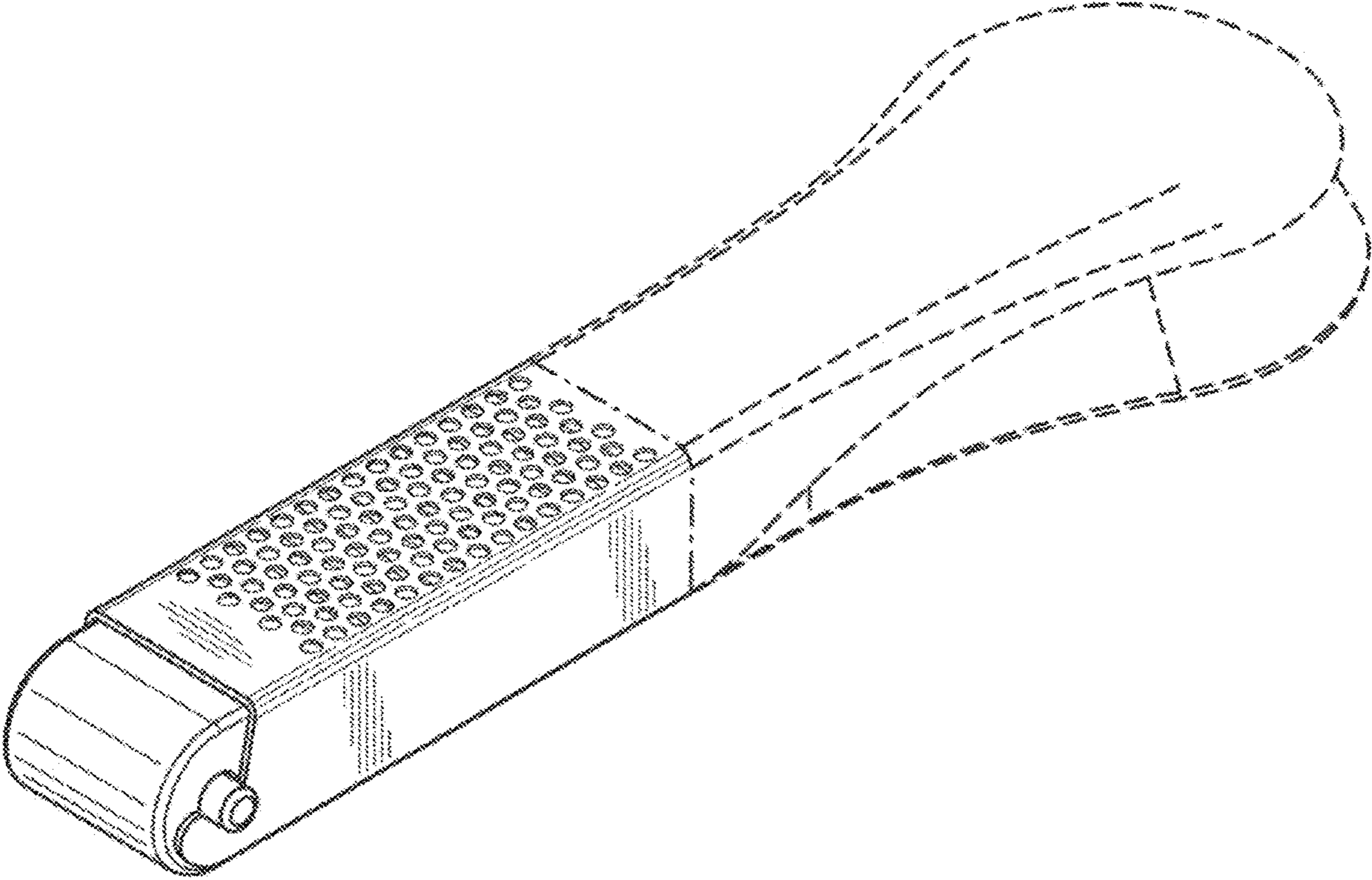
2.17 is a rear elevation view thereof.

The dash-dash broken lines showing portions of the article form no part of the claimed design; the dash-dot broken lines showing a boundary form no part of the claimed design; views Nos. **2.1-2.7**: closed state; view No. **2.8**: open state; views Nos. **2.9-2.11**: explanatory views of the first component part; views Nos. **2.12-2.17**: explanatory views of the second component part.

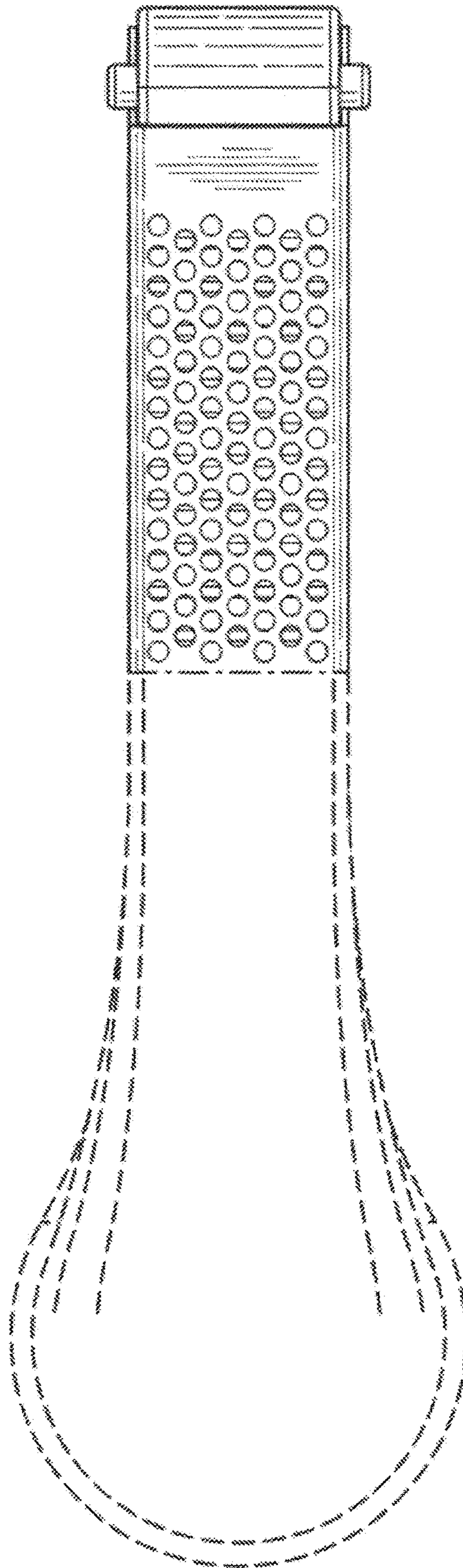
1 Claim, 17 Drawing Sheets



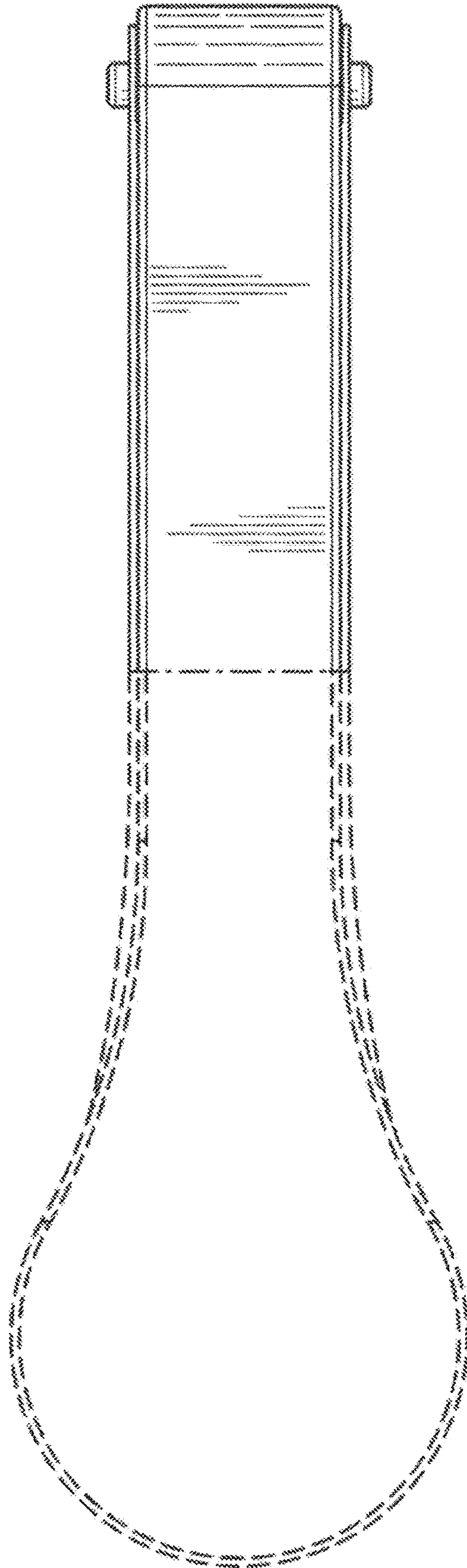
2.1



2.2



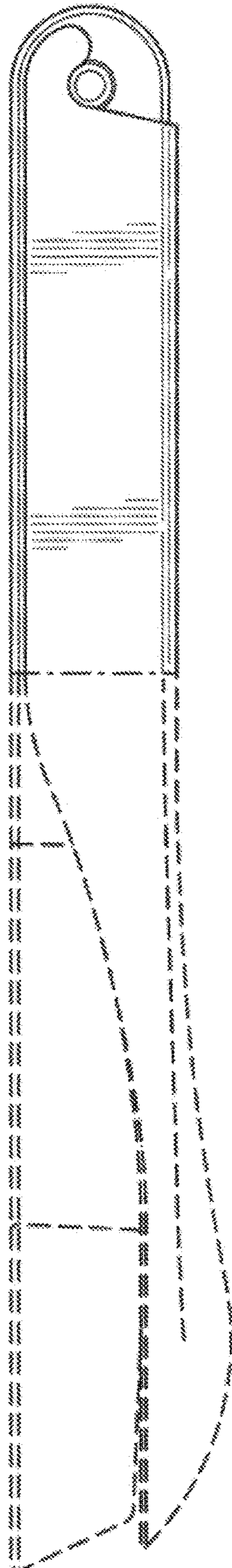
2.3



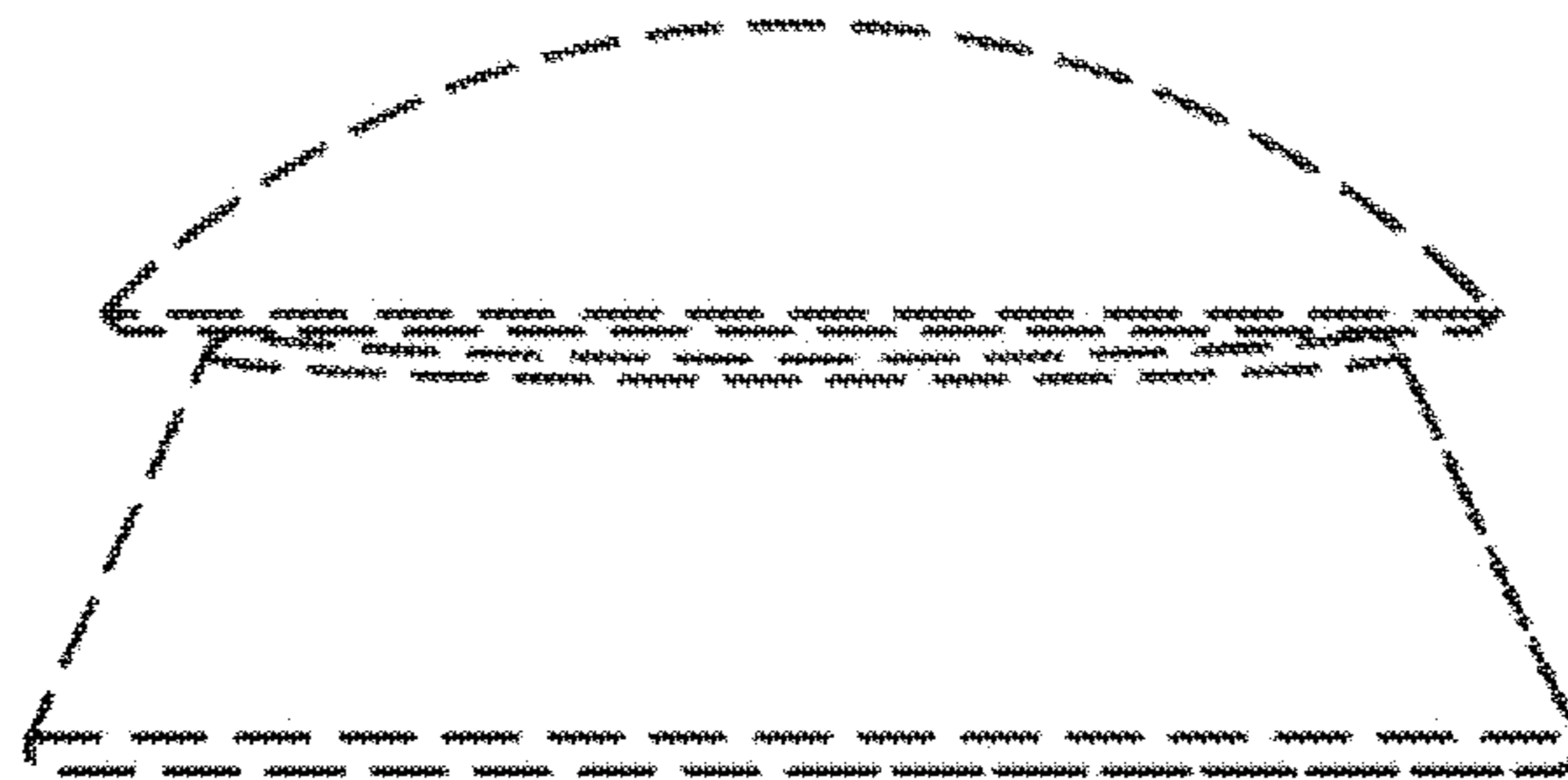
2.4



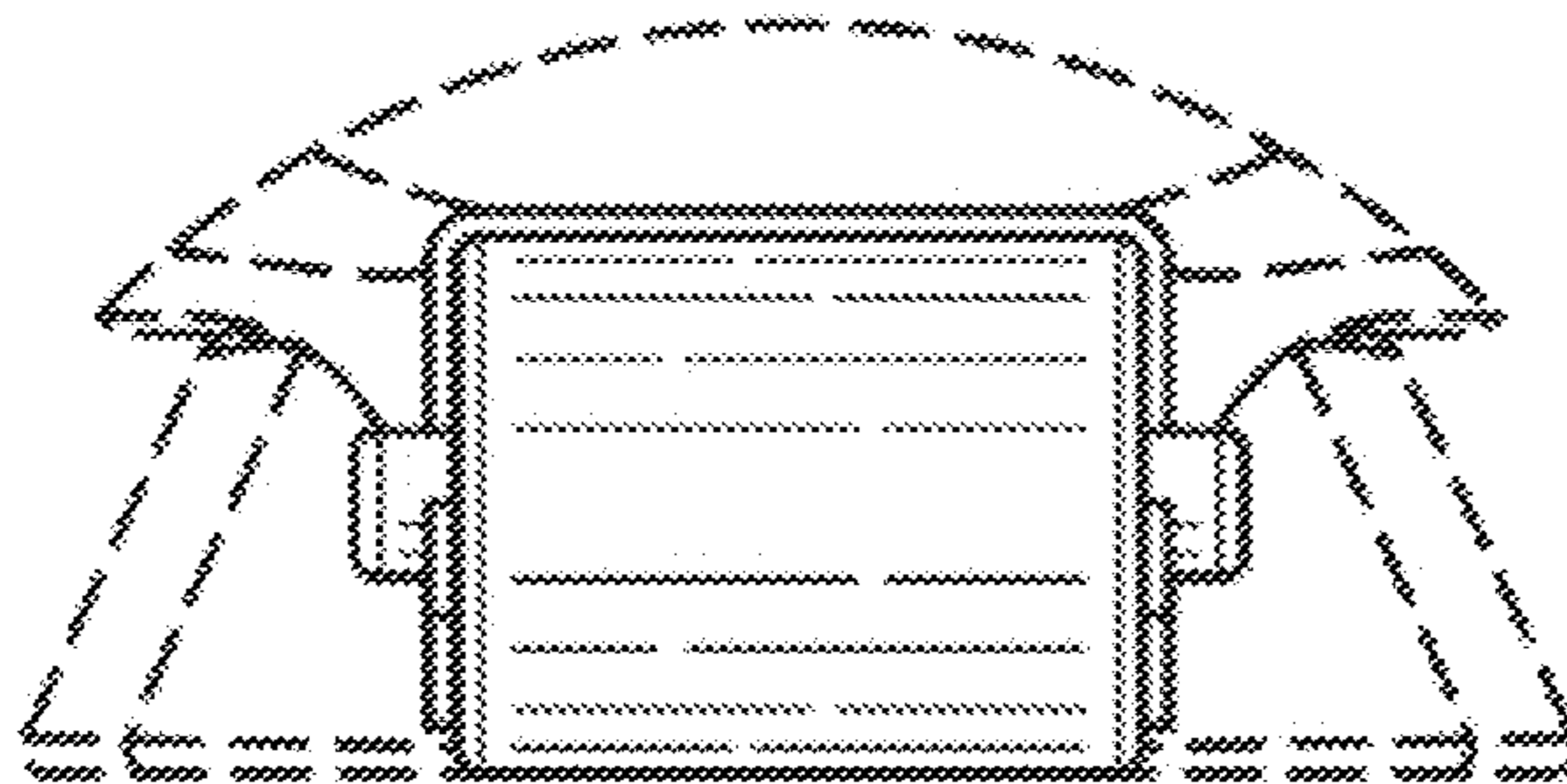
2.5



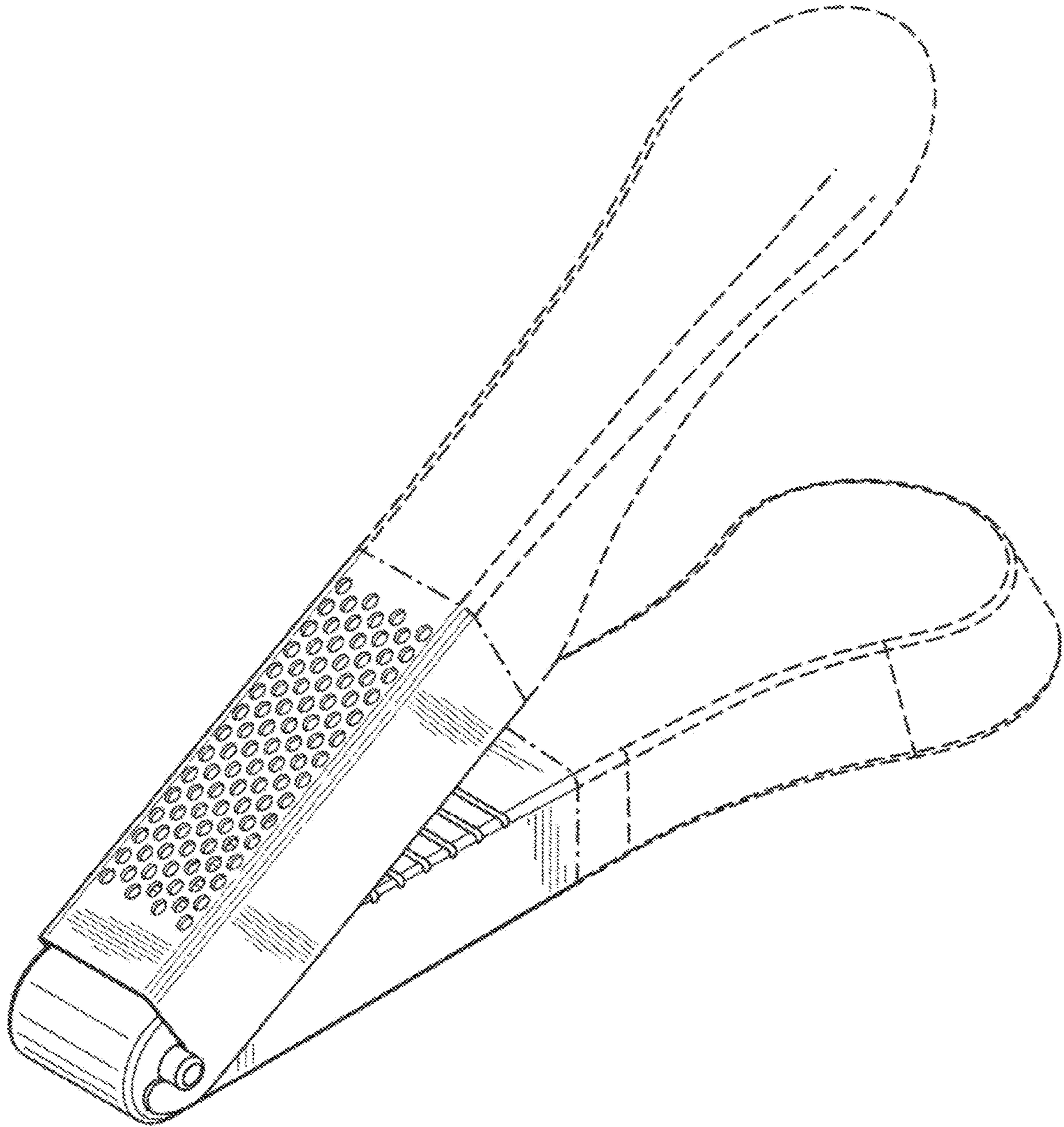
2.6



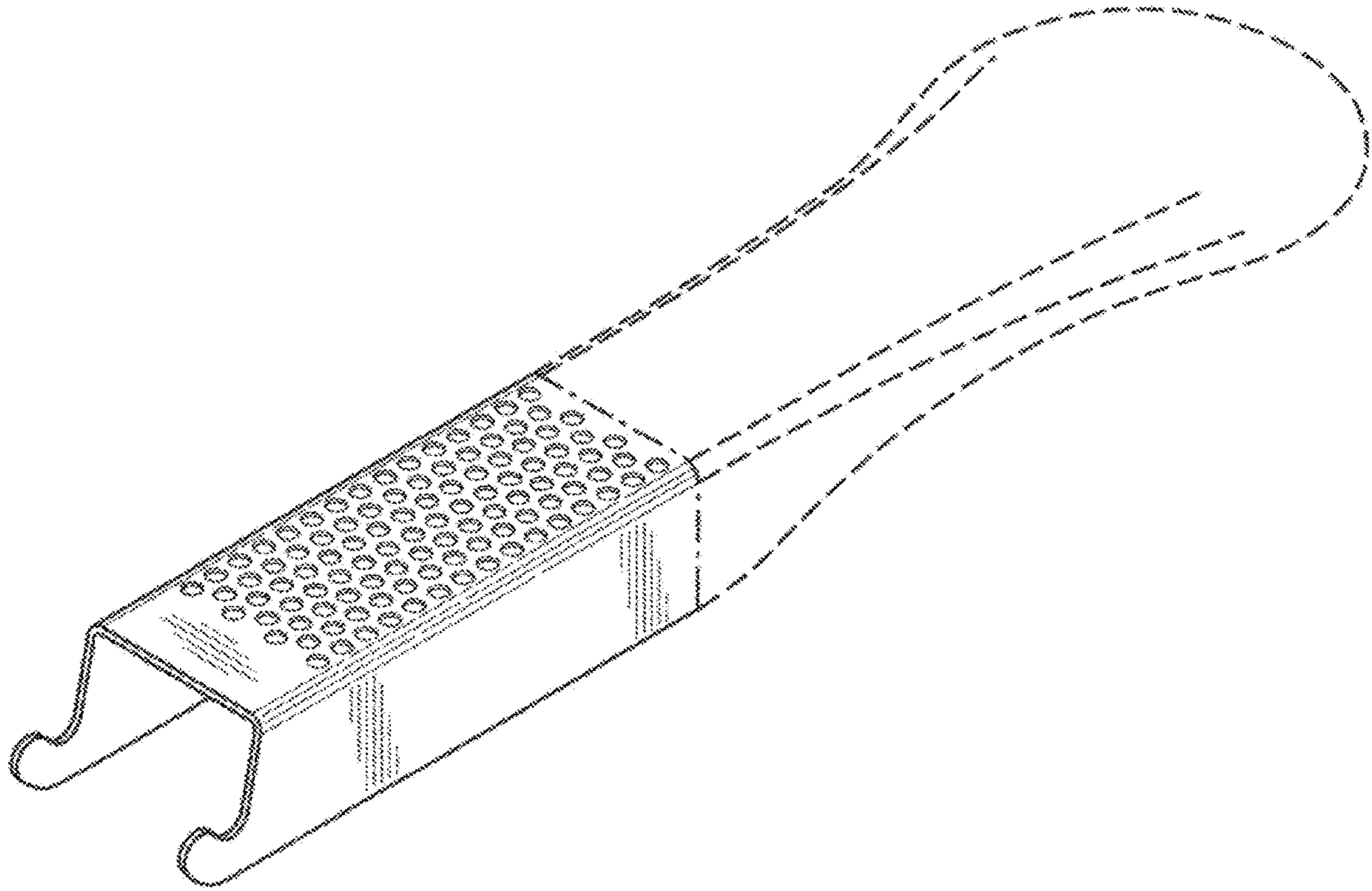
2.7



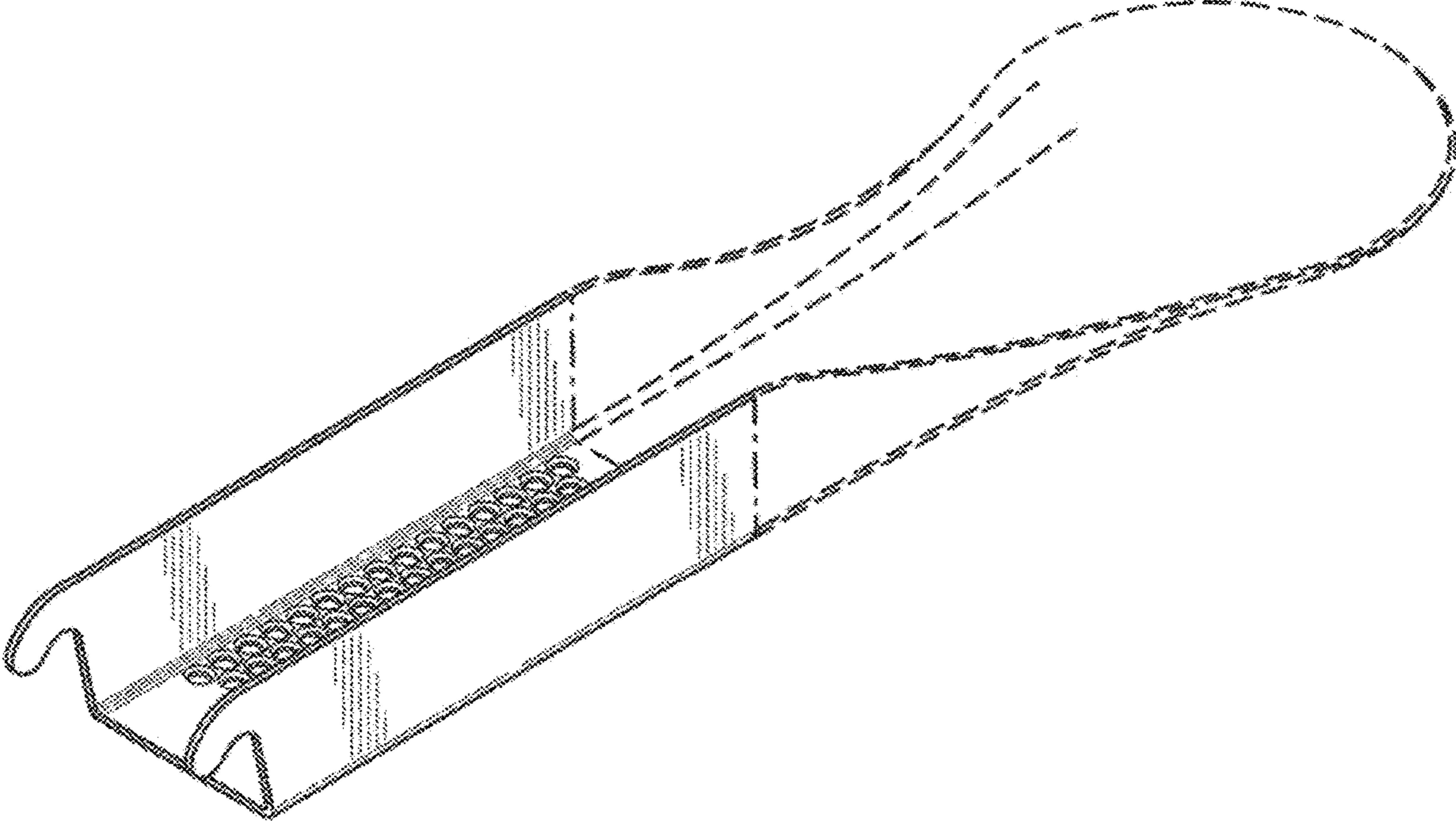
2.8



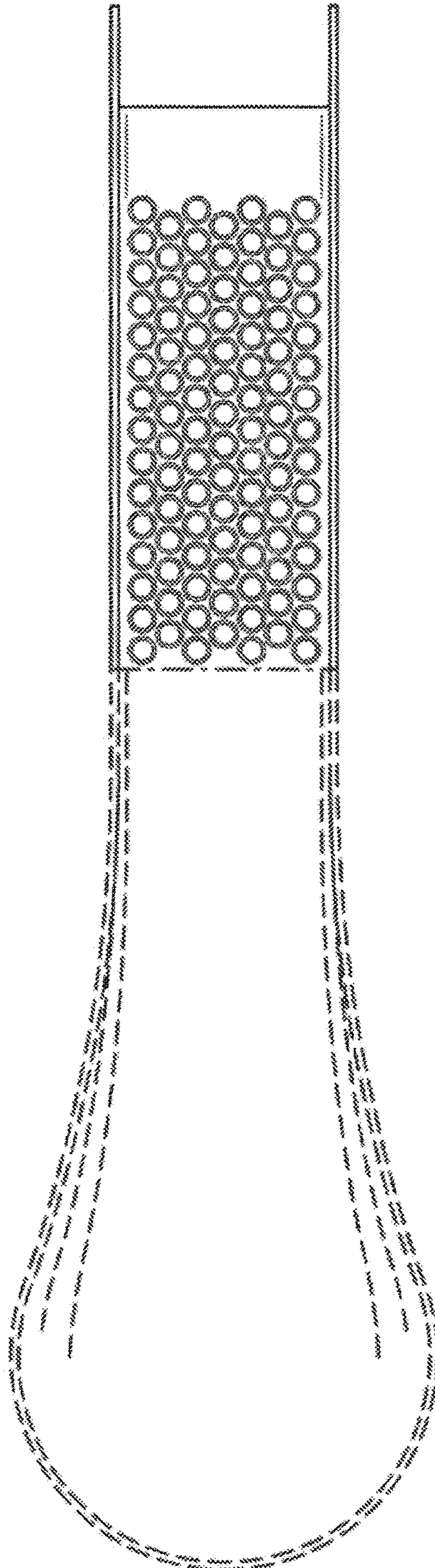
2.9



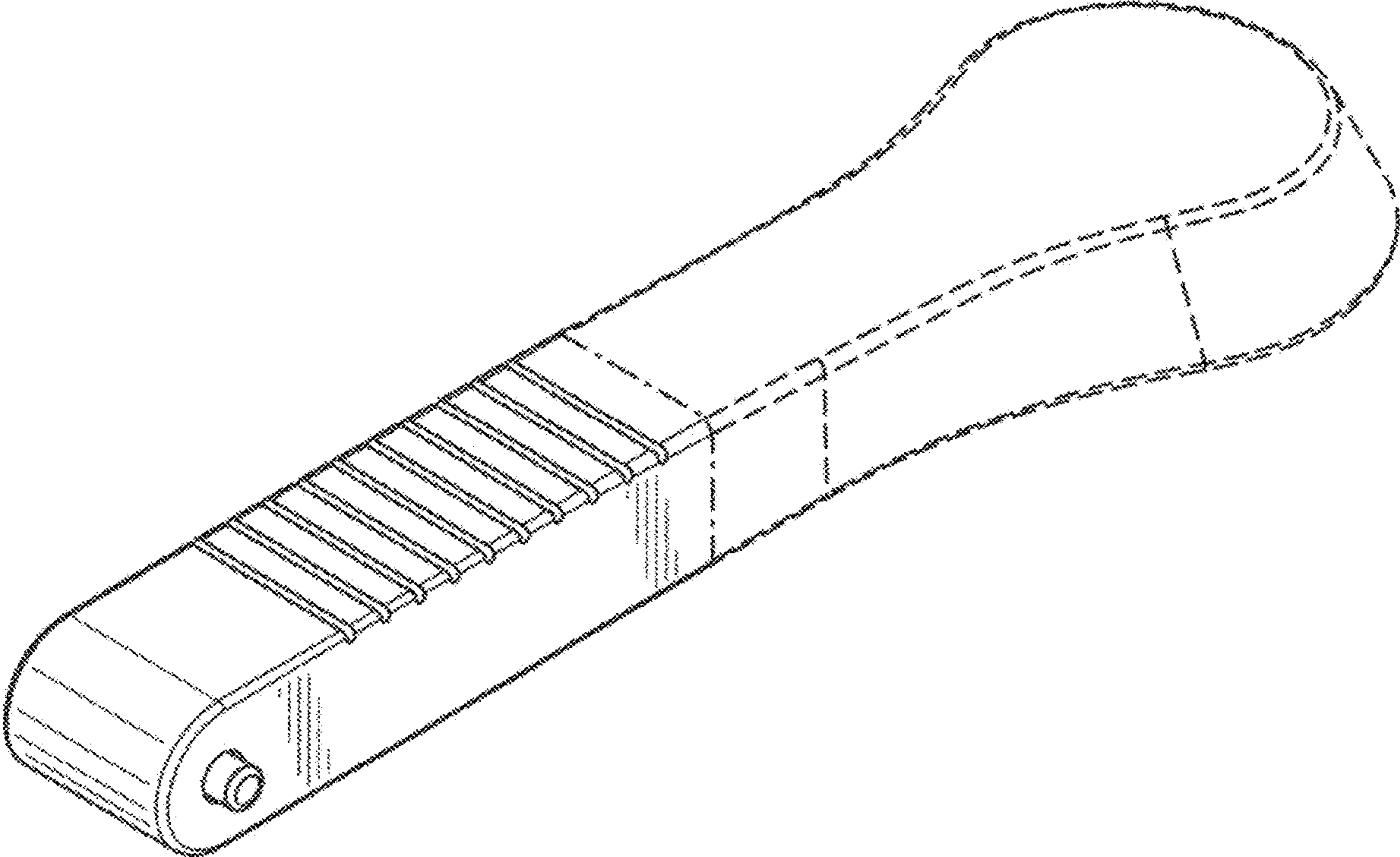
2.10



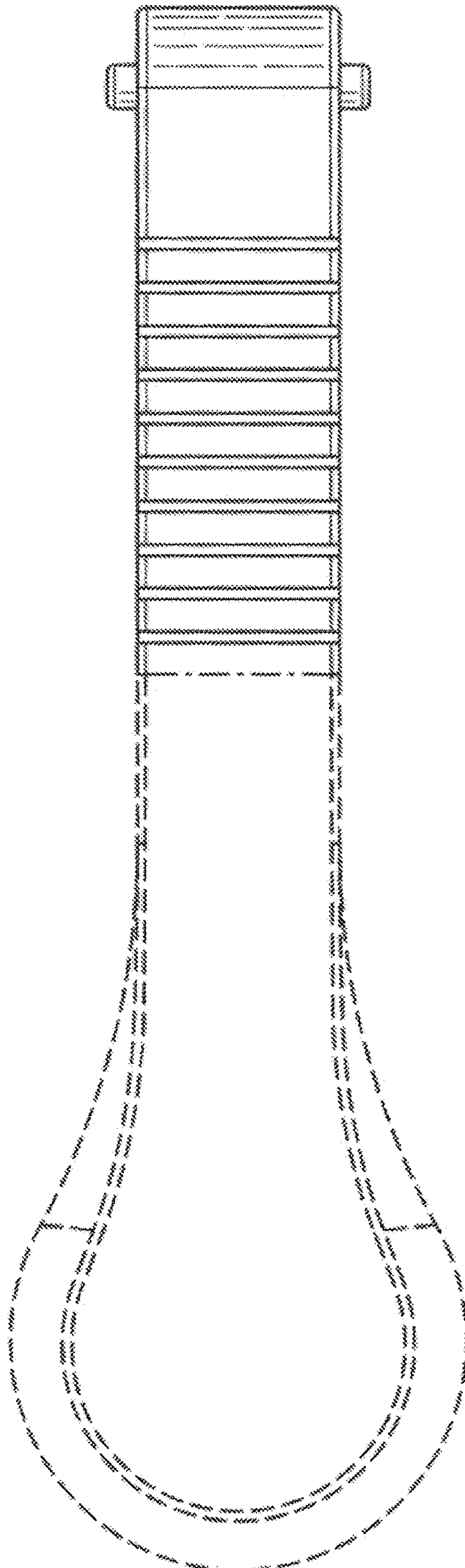
2.11



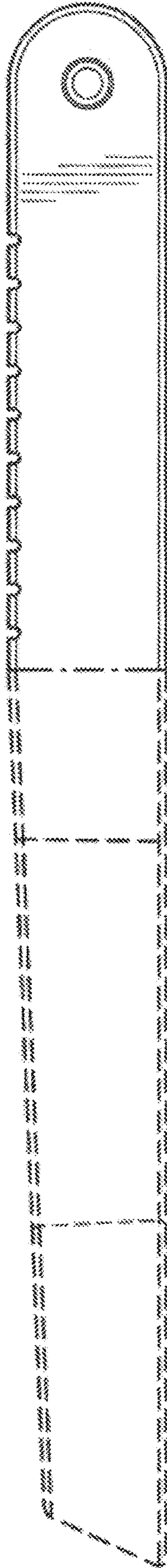
2.12



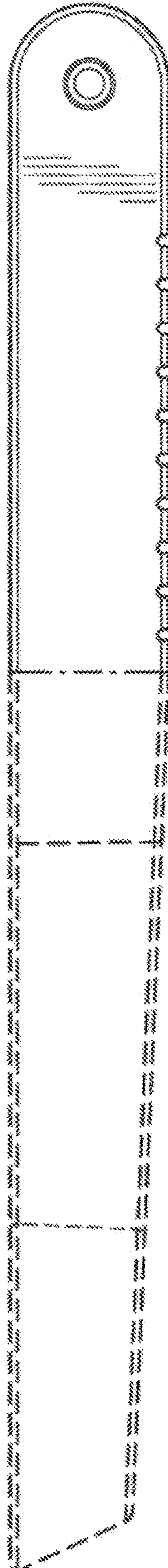
2.13



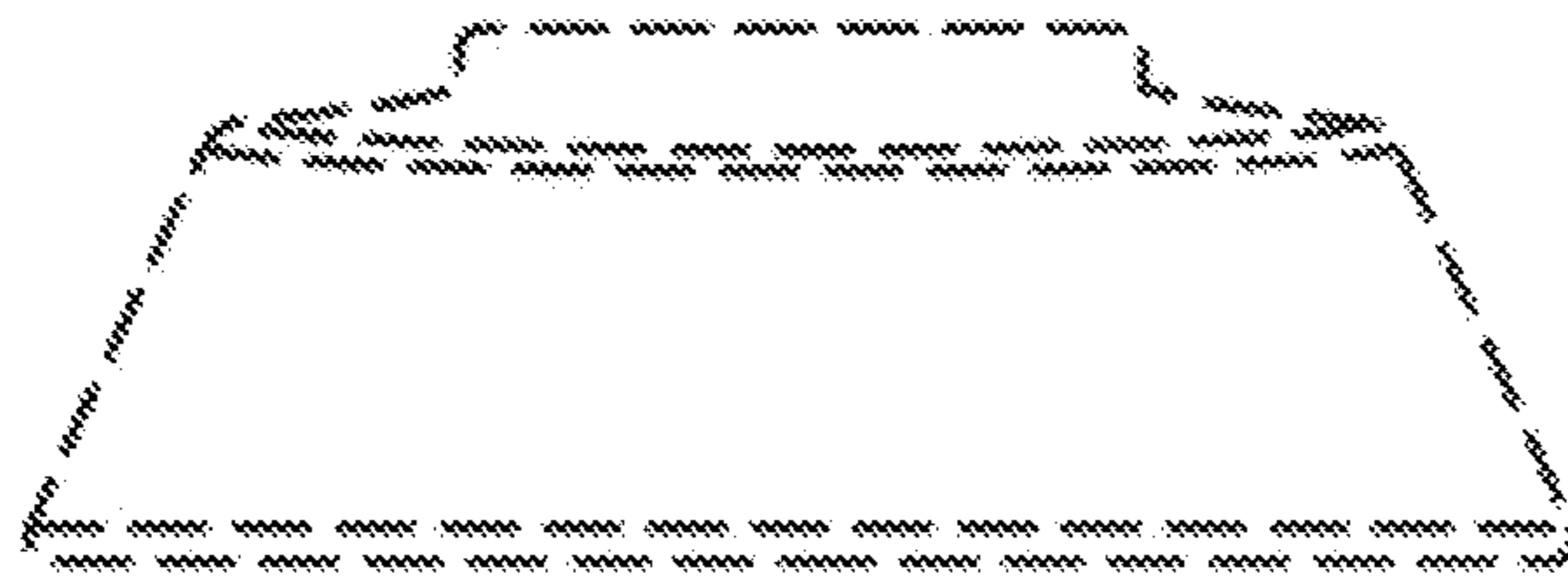
2.14



2.15



2.16



2.17

