



US00D872541S

(12) **United States Design Patent**
Zhang

(10) **Patent No.:** **US D872,541 S**

(45) **Date of Patent:** **** Jan. 14, 2020**

(54) **COOLER BOX**

(71) Applicant: **Heshan Aohong Industry Co., Ltd.**,
Heshan, Guangdong Province (CN)

(72) Inventor: **Yujian Zhang**, Heshan (CN)

(73) Assignee: **Heshan Aohong Industry Co., Ltd.**,
Heshan (CN)

(**) Term: **15 Years**

(21) Appl. No.: **29/654,425**

(22) Filed: **Jun. 25, 2018**

(51) **LOC (12) Cl.** **07-01**

(52) **U.S. Cl.**
USPC **D7/605**

(58) **Field of Classification Search**
USPC D7/605–608, 629, 630; D3/272–274
CPC .. A45C 11/20; A45C 5/14; A45C 5/03; A45C
9/00; A45F 3/46; B65D 81/38; B65D
81/3888; B65D 81/3813; B65D 81/3816;
B65D 81/3818; B65D 81/3823; B65D
81/3858; F25D 3/02; F25D 3/04; F25D
3/06; F25D 3/08; F25D 3/11; F25D 3/14;
F25D 2331/804; F25D 31/005; F25B
19/00; A47B 77/08; A47J 41/022; A47G
19/2288

See application file for complete search history.

(56) **References Cited**

U.S. PATENT DOCUMENTS

D318,175 S *	7/1991	Venanzini	D3/260
7,389,608 B1 *	6/2008	MacKay	A01K 97/05 206/315.11
2009/0025417 A1 *	1/2009	Azzara	A01K 97/00 62/457.1
2013/0062356 A1 *	3/2013	Deka	B65D 81/3823 220/592.25
2015/0060470 A1 *	3/2015	Seiders	B65D 81/3816 292/194

* cited by examiner

Primary Examiner — Terry A Wallace

(74) *Attorney, Agent, or Firm* — Alan D. Kamrath; Mayer & Williams PC

(57) **CLAIM**

The ornamental design for a cooler box, as shown and described.

DESCRIPTION

FIG. 1 is a front perspective view of a cooler box showing our new design;
FIG. 2 is a front view thereof;
FIG. 3 is a rear view thereof;
FIG. 4 is a top plan view thereof;
FIG. 5 is a bottom plan view thereof;
FIG. 6 is a right side view thereof; and,
FIG. 7 is a left side view thereof.

1 Claim, 7 Drawing Sheets





FIG. 1

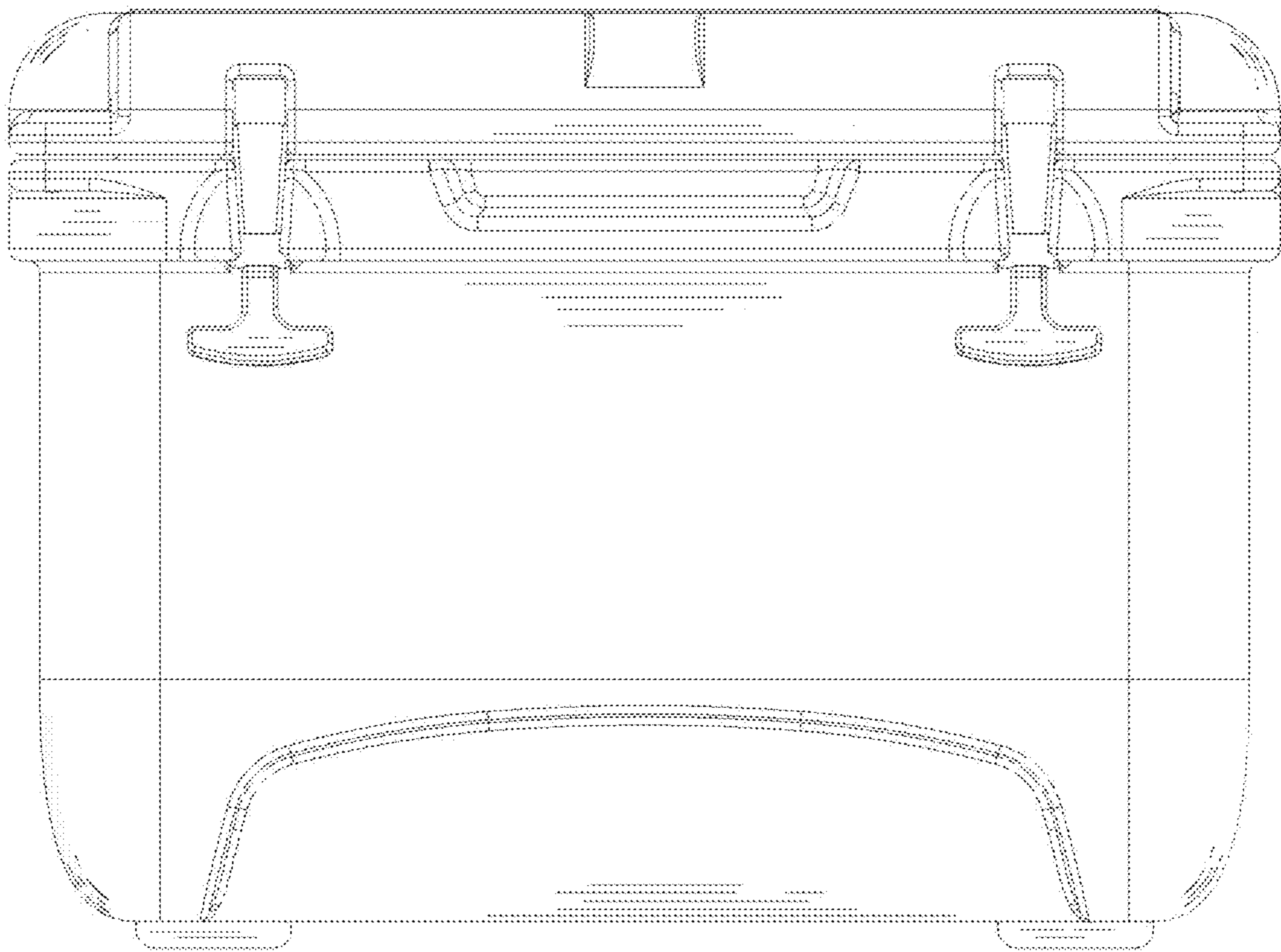


FIG. 2

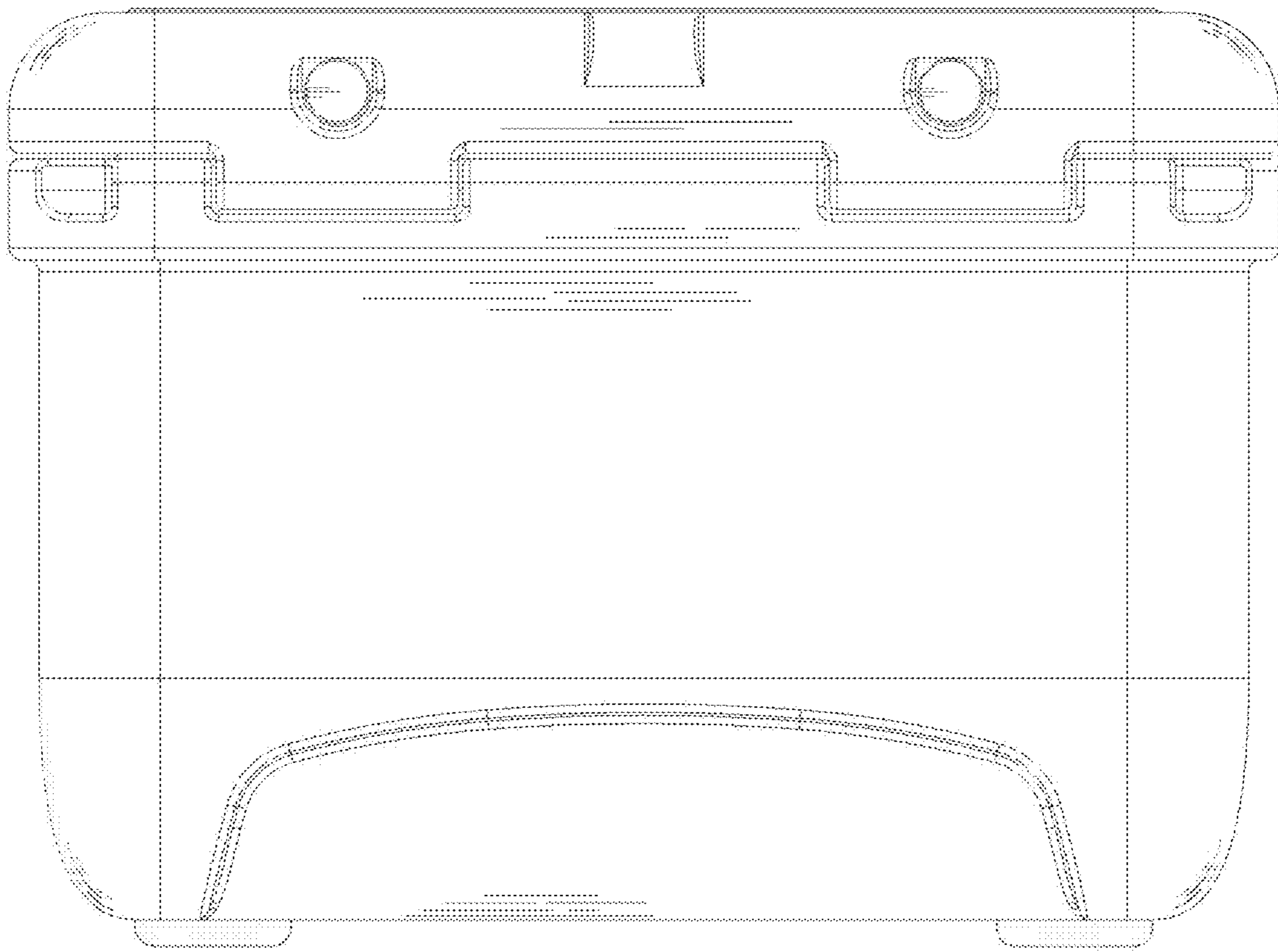


FIG. 3

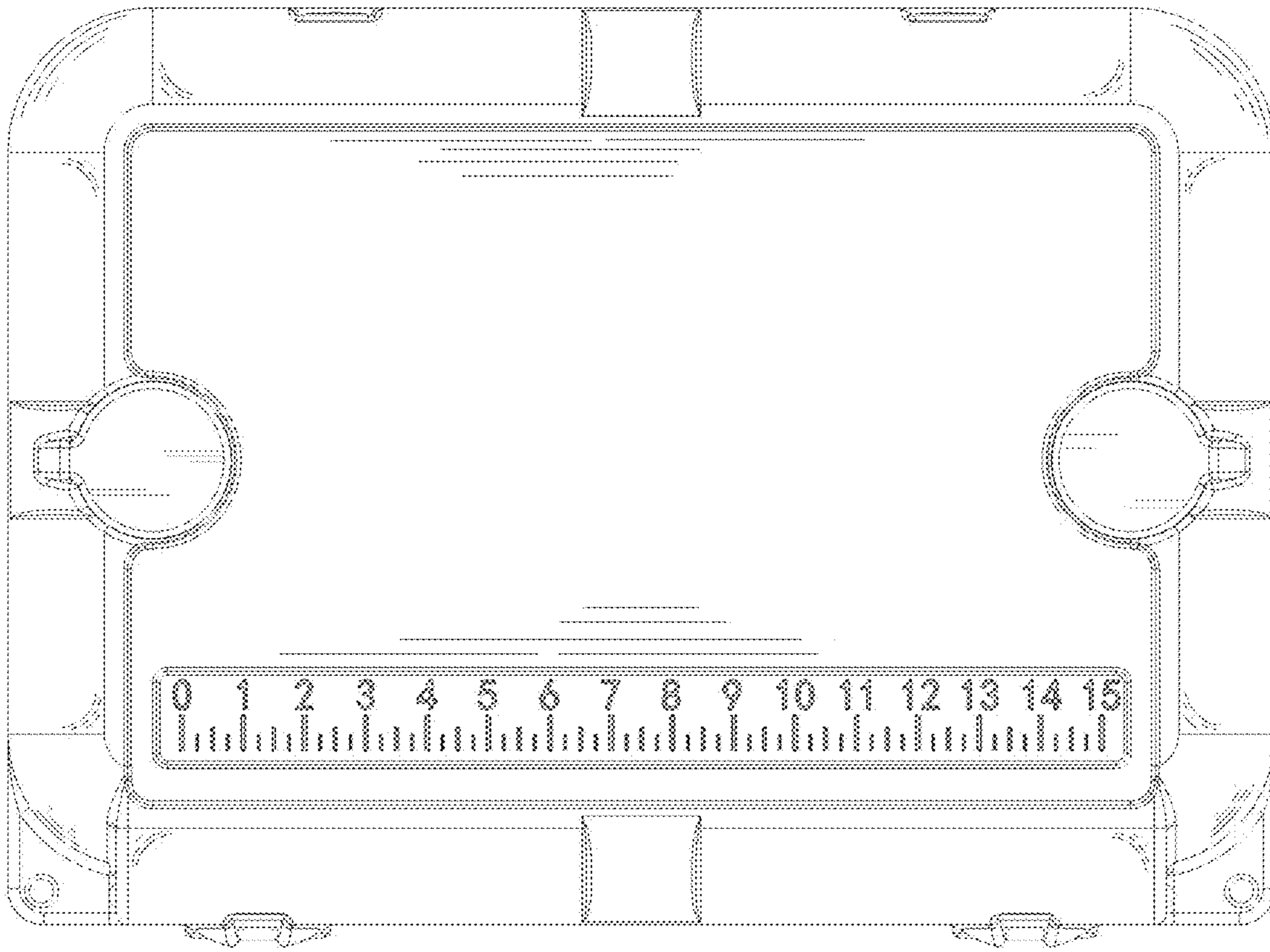


FIG. 4

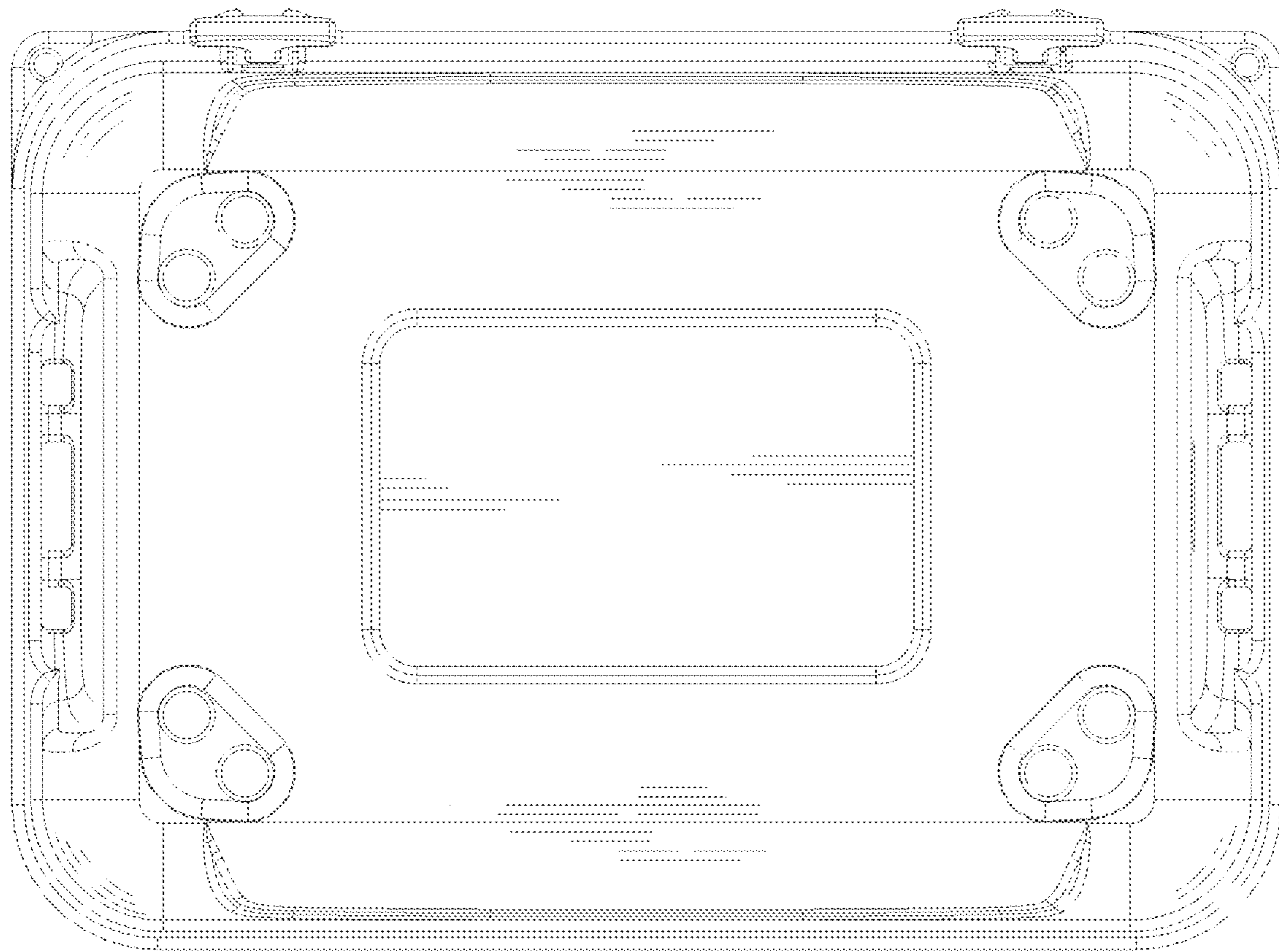


FIG. 5

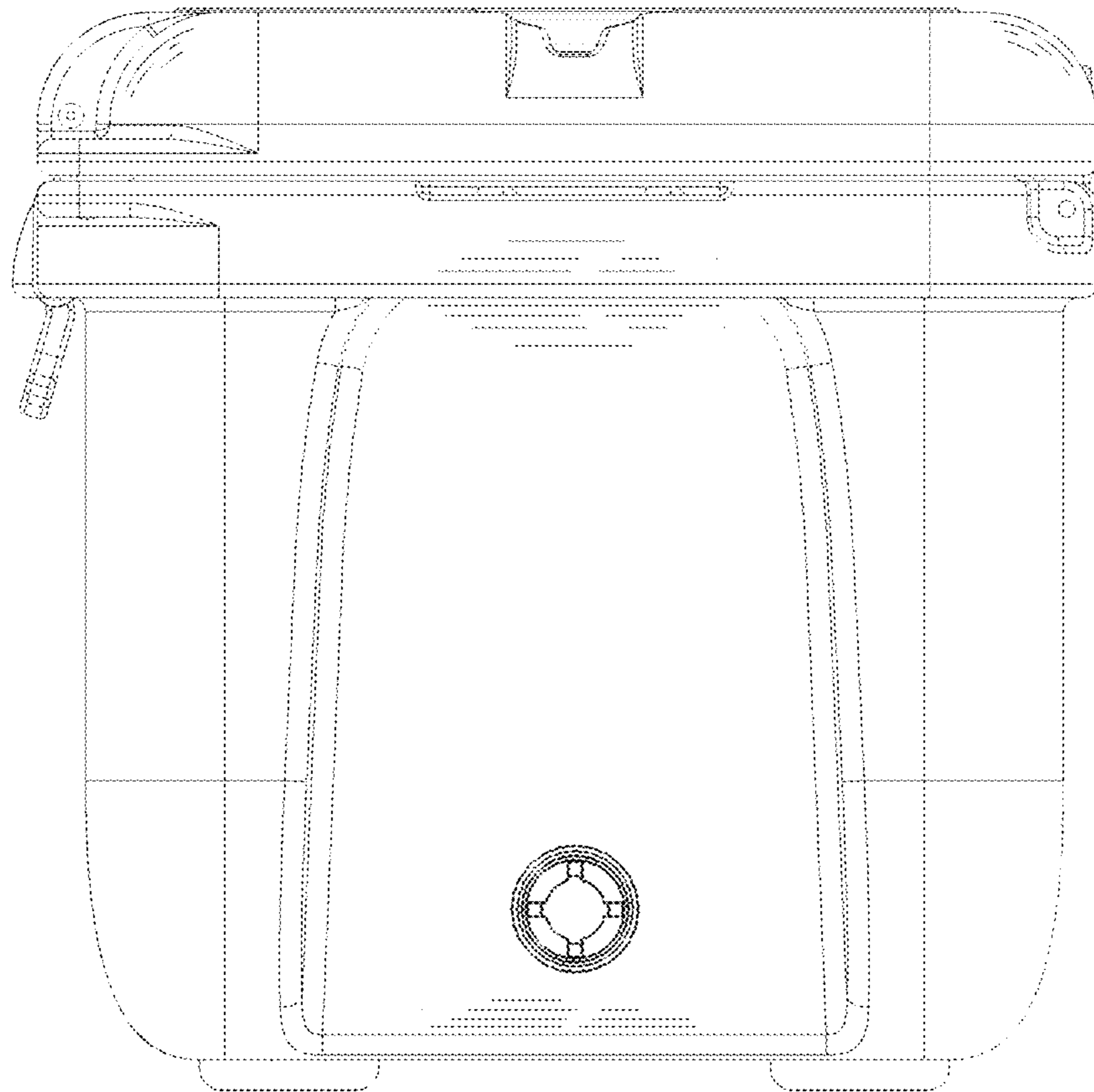


FIG. 6

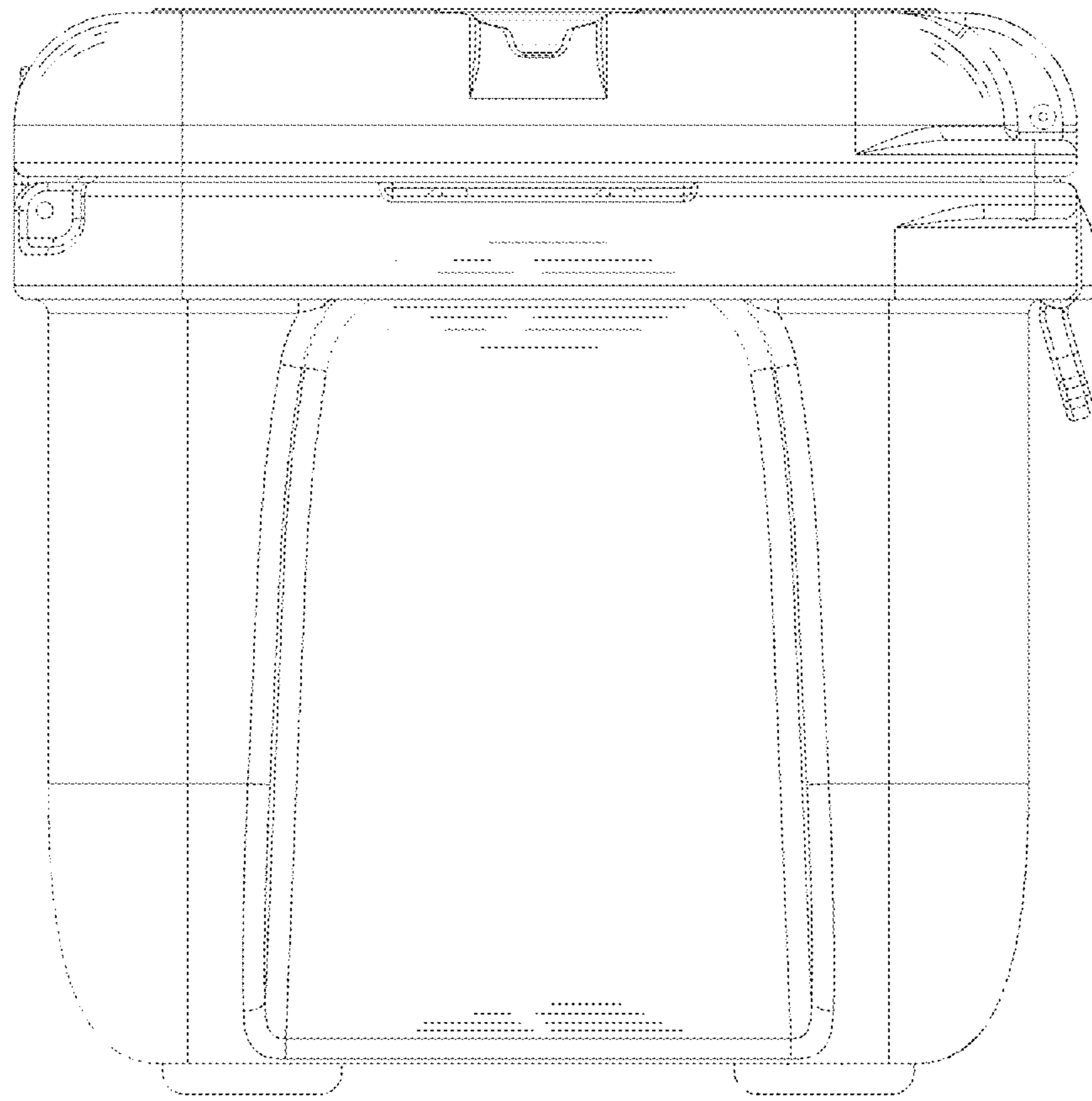


FIG. 7