

US00D872539S

(12) **United States Design Patent**
Hewitt et al.

(10) **Patent No.:** **US D872,539 S**
(45) **Date of Patent:** **** Jan. 14, 2020**

(54) **BEVERAGE CONTAINER**

- (71) Applicant: **HEWY WINE CHILLERS, LLC**,
Orlando, FL (US)
- (72) Inventors: **Benjamin R. Hewitt**, Orlando, FL
(US); **Stephen Bruner**, Orlando, FL
(US)
- (73) Assignee: **Corkcicle, LLC**, Orlando, FL (US)
- (**) Term: **15 Years**

- (21) Appl. No.: **29/641,673**
- (22) Filed: **Mar. 23, 2018**
- (51) **LOC (12) Cl.** **07-01**
- (52) **U.S. Cl.**
USPC **D7/536; D7/533; D7/531**
- (58) **Field of Classification Search**
USPC D7/505, 507, 509, 510, 511, 523, 528,
D7/529, 530, 531, 532, 535, 533, 536,
D7/305, 321, 319, 316, 317, 318, 590,
D7/608, 310; 220/592.16, 592.17, 705
CPC A47G 19/22; A47G 19/2205;
A47G 19/2211; A47G 19/2216; A47G
19/2227; A47G 19/02; A47G 19/2288;
A47J 31/06
See application file for complete search history.

(56) **References Cited**

U.S. PATENT DOCUMENTS

1,044,757 A	11/1912	Decker et al.
1,744,328 A	1/1930	Morley
2,090,320 A	8/1937	Amick
D107,781 S	1/1938	Mackelfresh, Jr.
2,108,212 A	2/1938	Schellens
2,277,066 A	3/1942	Bogner

(Continued)

OTHER PUBLICATIONS

“Gardenaut: BPA-Free Water Bottle Showdown”, 1 pg, 2014.

(Continued)

Primary Examiner — Jae Liang

(74) *Attorney, Agent, or Firm* — Dickinson Wright,
PLLC; Michael E. Noe, Jr.

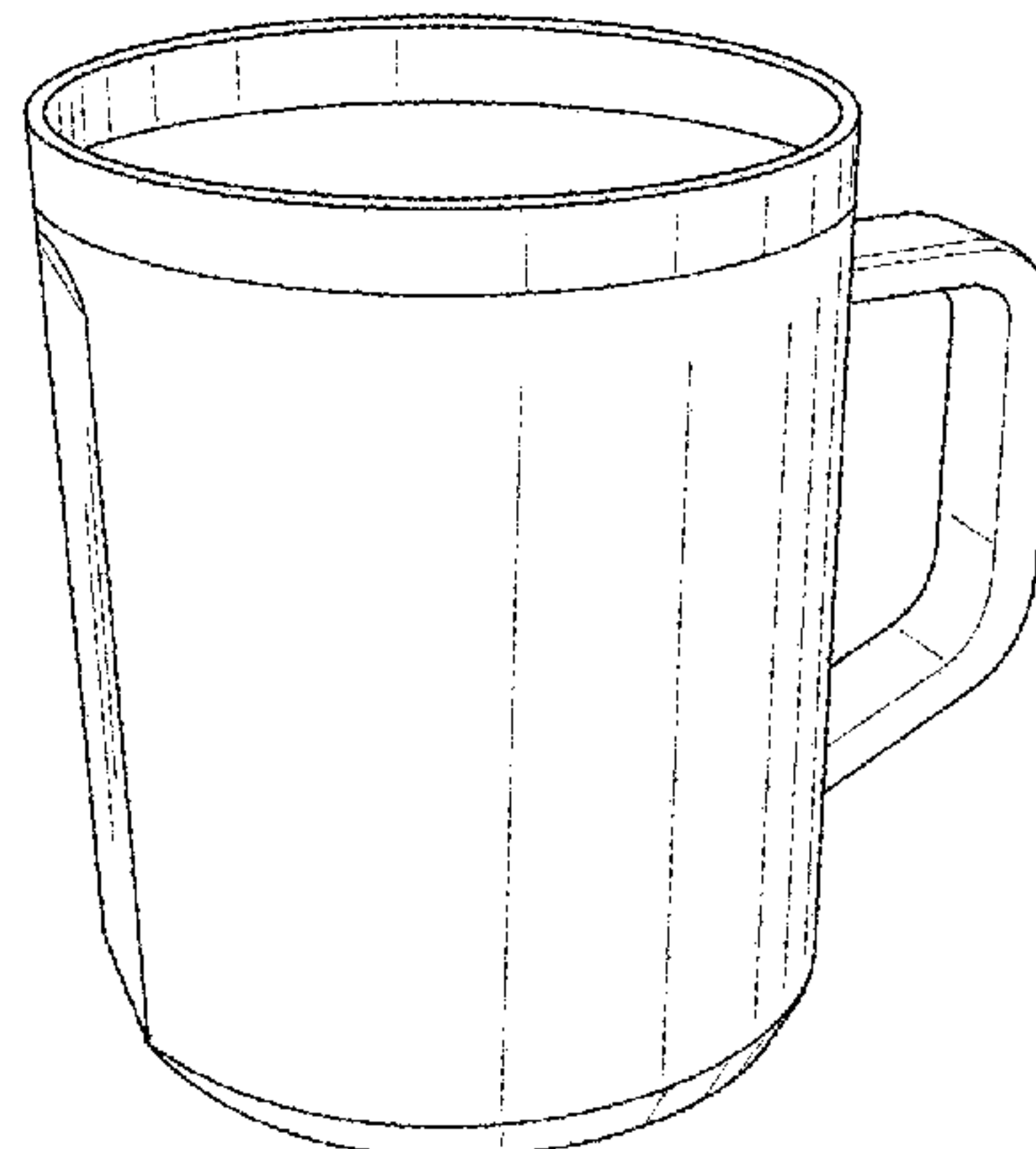
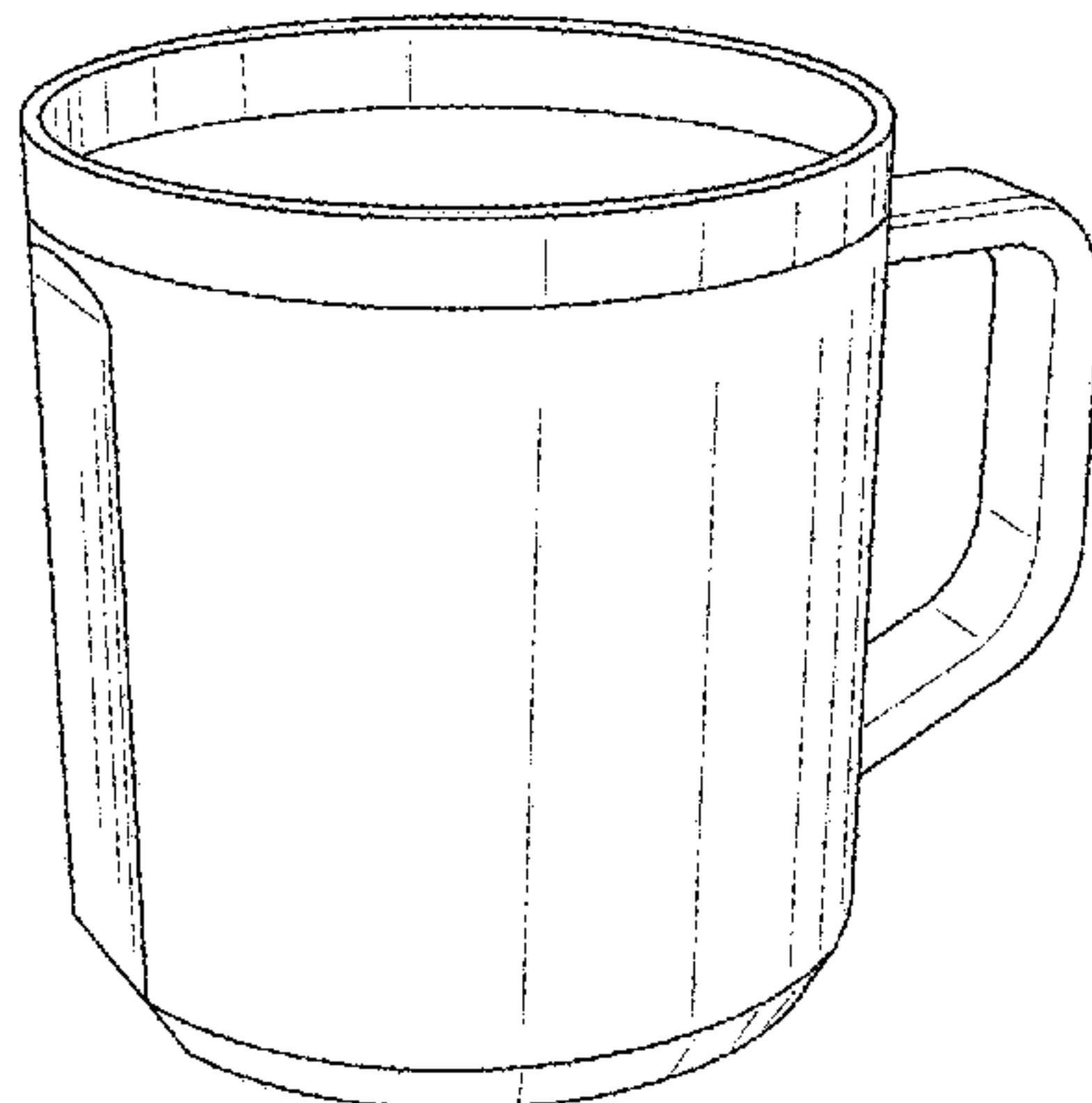
(57) **CLAIM**

The ornamental design for a beverage container, as shown and described.

DESCRIPTION

FIG. 1 is an isometric view of a first embodiment of a beverage container showing our new design;
 FIG. 2 is a left side view of the beverage container of FIG. 1;
 FIG. 3 is a right side view of the beverage container of FIG. 1;
 FIG. 4 is a rear view of the beverage container of FIG. 1;
 FIG. 5 is a front view of the beverage container of FIG. 1;
 FIG. 6 is a top view of the beverage container of FIG. 1.
 FIG. 7 is a bottom view of the beverage container of FIG. 1.
 FIG. 8 is an isometric view of a second embodiment of a beverage container showing our new design;
 FIG. 9 is a left side view of the beverage container of FIG. 8;
 FIG. 10 is a right side view of the beverage container of FIG. 8;
 FIG. 11 is a rear view of the beverage container of FIG. 8;
 FIG. 12 is a front view of the beverage container of FIG. 8;
 FIG. 13 is a top view of the beverage container of FIG. 8;
 and,
 FIG. 14 is a bottom view of the beverage container of FIG. 8.
 The broken lines in the drawings depict portions of the beverage container that form no part of the claimed design.

1 Claim, 8 Drawing Sheets



(56)

References Cited

U.S. PATENT DOCUMENTS

2,863,585 A 12/1958 Meshberg
 3,126,139 A 3/1964 Schechter
 3,207,354 A 9/1965 Skinner et al.
 D211,514 S 6/1968 Amberg
 D213,174 S 1/1969 Davis
 3,441,167 A 4/1969 Balocca
 3,785,311 A 1/1974 Yoshikawa
 3,921,844 A 11/1975 Walles
 3,993,811 A 11/1976 Walles
 4,349,051 A 9/1982 Schilf
 4,448,809 A 5/1984 Nagai et al.
 4,745,015 A 5/1988 Cheng et al.
 4,856,174 A 8/1989 Ishizaki et al.
 5,082,135 A 1/1992 DeCoster
 D328,014 S 7/1992 DeCoster et al.
 D340,623 S * 10/1993 Ryan D7/536
 D368,830 S * 4/1996 Lu D7/533
 5,714,217 A 2/1998 Andersen et al.
 D416,444 S * 11/1999 Jørgensen D7/533
 6,119,888 A 9/2000 Goto et al.
 6,119,889 A 9/2000 Fujii et al.
 D446,684 S 8/2001 Price
 D458,806 S 6/2002 Price et al.
 D465,132 S * 11/2002 Janky D7/510
 6,561,376 B2 5/2003 Price et al.
 D488,348 S 4/2004 Liu
 D495,199 S 8/2004 Matthews
 D505,830 S 6/2005 Smith et al.
 D514,385 S 2/2006 Smith et al.
 D514,884 S 2/2006 Smith et al.
 7,104,413 B2 9/2006 Liu
 D552,420 S 10/2007 Liu
 D587,533 S 3/2009 Carreno
 D590,662 S 4/2009 Cheng
 D604,157 S 11/2009 Reiterer et al.
 D658,449 S 5/2012 Ying

D658,450 S 5/2012 Ying
 D699,996 S 2/2014 De Leo
 D702,092 S 4/2014 Mettler
 D719,785 S * 12/2014 Grcic D7/536
 D732,894 S * 6/2015 Peterson D7/510
 9,052,105 B2 6/2015 Zalon
 D747,626 S * 1/2016 Morris, II D7/533
 D750,436 S 3/2016 Hopkins et al.
 D752,390 S 3/2016 Ksiazek et al.
 D753,482 S * 4/2016 Serrano D9/428
 D765,471 S 9/2016 Gorbald
 D814,243 S * 4/2018 Pape D7/536
 D822,440 S * 7/2018 Kuh D7/536
 D827,381 S * 9/2018 Boroski D7/536
 D830,126 S * 10/2018 Rohe D7/510
 D832,050 S * 10/2018 Diener D7/510
 2003/0090897 A1 * 5/2003 Su A01K 85/01
 362/186
 2008/0006643 A1 1/2008 Ma
 2008/0179335 A1 7/2008 Lee et al.
 2011/0062160 A1 3/2011 Vasic
 2012/0031913 A1 2/2012 Moore et al.
 2012/0132658 A1 5/2012 Dans et al.
 2012/0273503 A1 11/2012 Yen
 2014/0124513 A1 5/2014 Shearer

OTHER PUBLICATIONS

“Klean Kanteen Insulated: Stainless Steel Insulated Bottle and Mug”, 1 pg, 2014.
 “Stanley Classic Vacuum Bottle, 2-Quart: Amazon.ca: Sports & Outdoors”, 1 pg, 2014.
 “Double Wall Stainless Steel silver Vacuum Cola Bottle /Thermos coca Flask,vacuum cola bottle with laser logo, View stainless steel coca cola water sports”, 6 pgs, 2014.
 “Contigo West Loop Autoseal Travel Mug—470 ml—Raspberry: Amazon.co.uk: Kitchen & Home”, 1 pg, 2014.

* cited by examiner

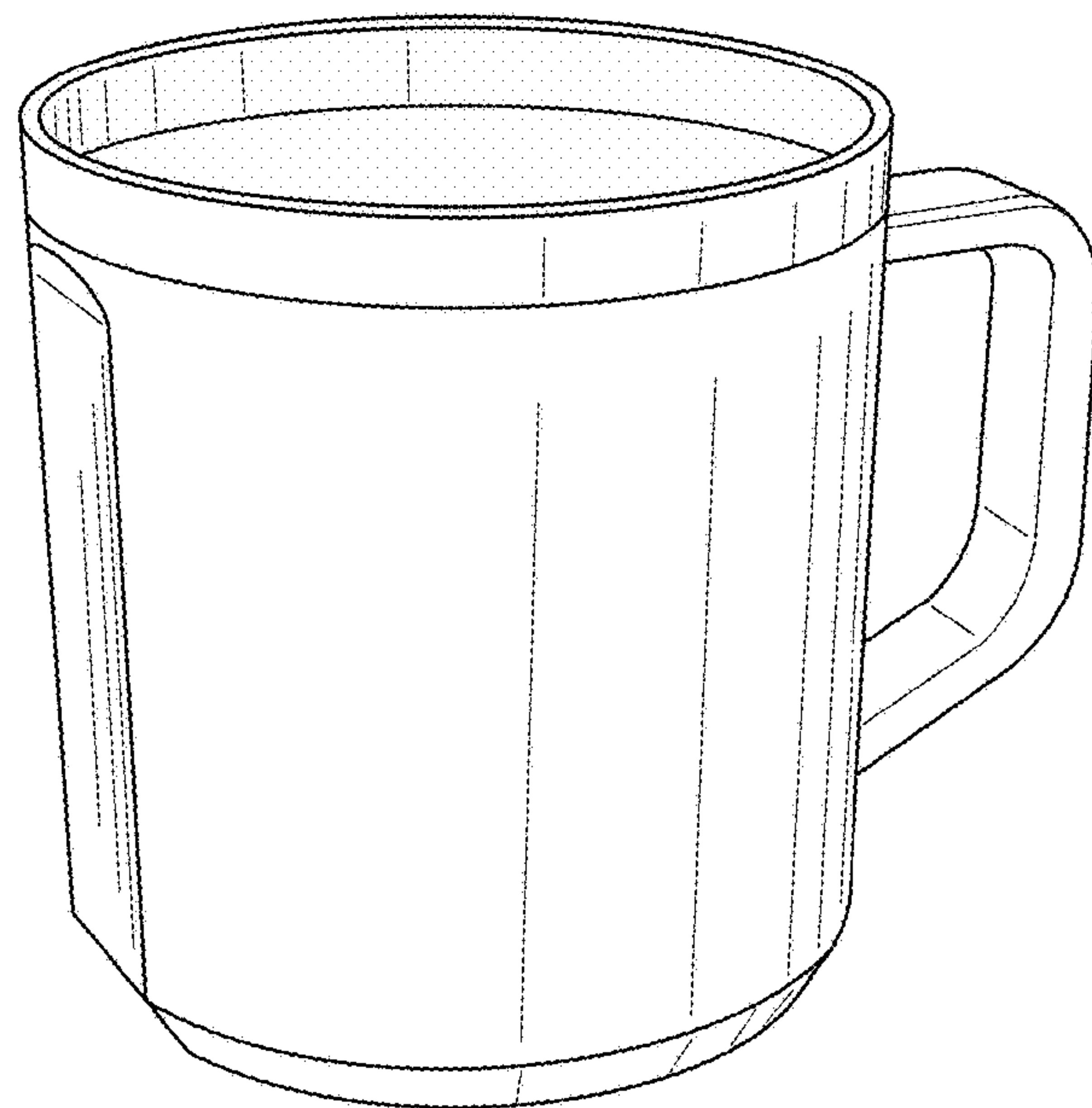


FIG. 1

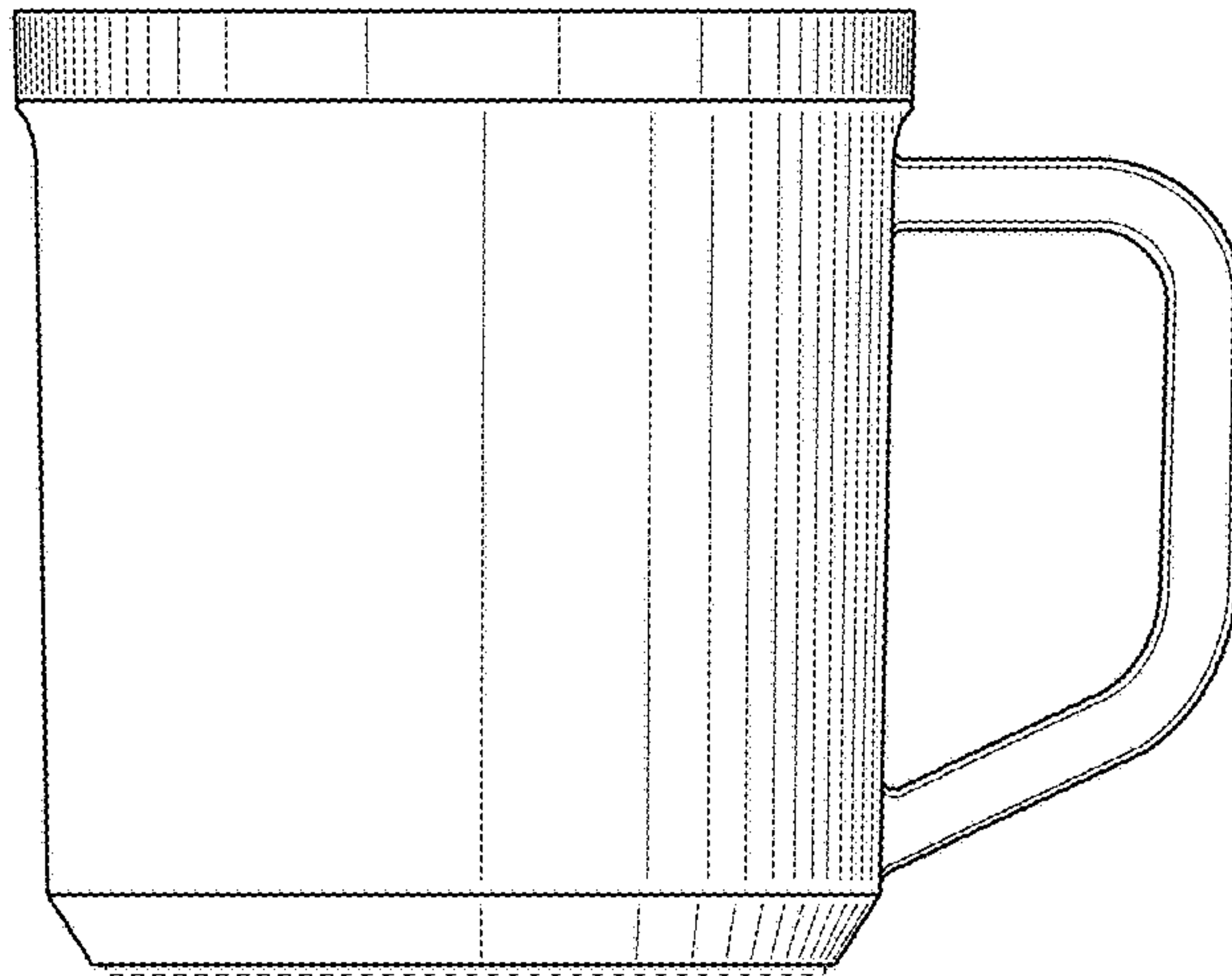


FIG. 2

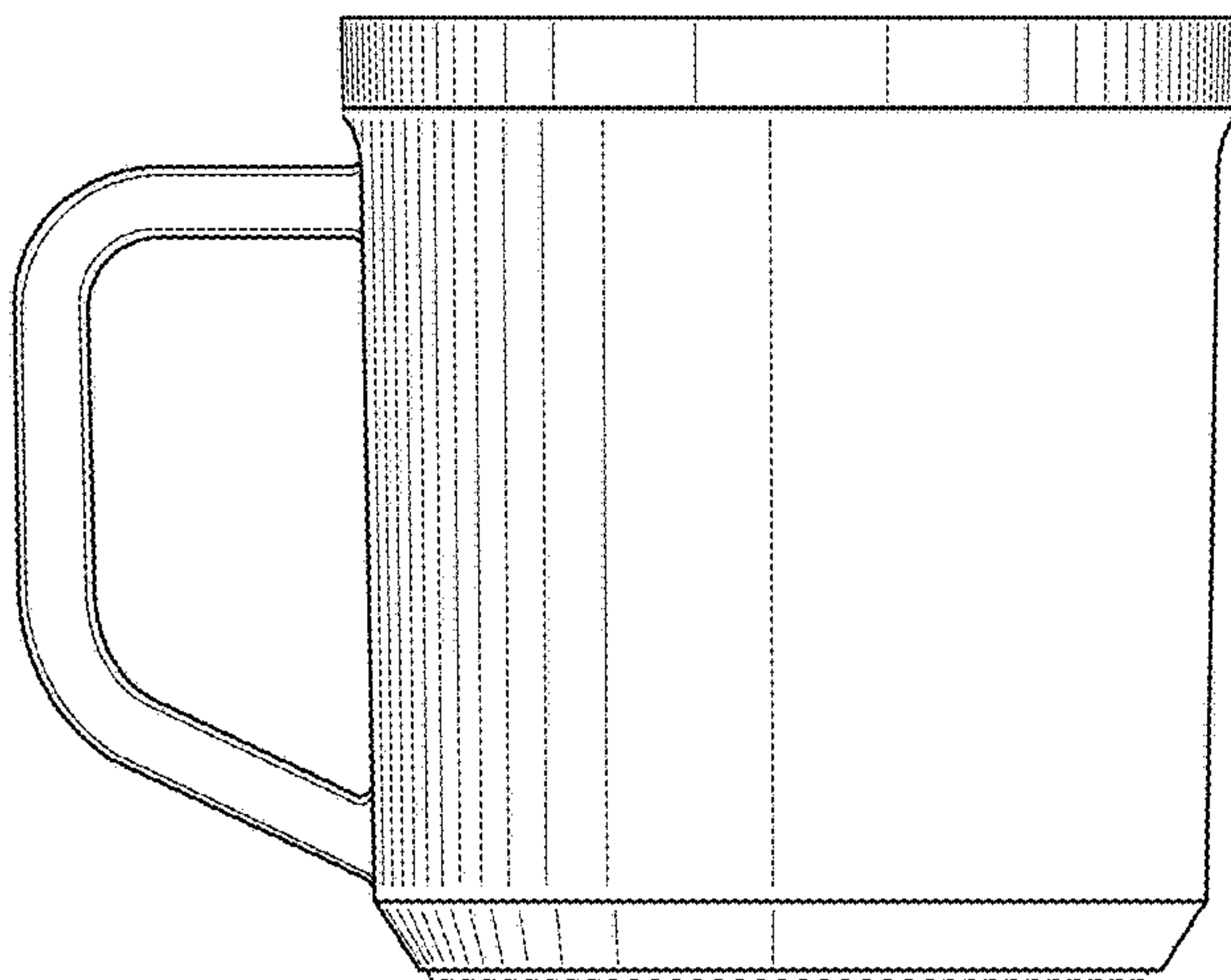


FIG. 3

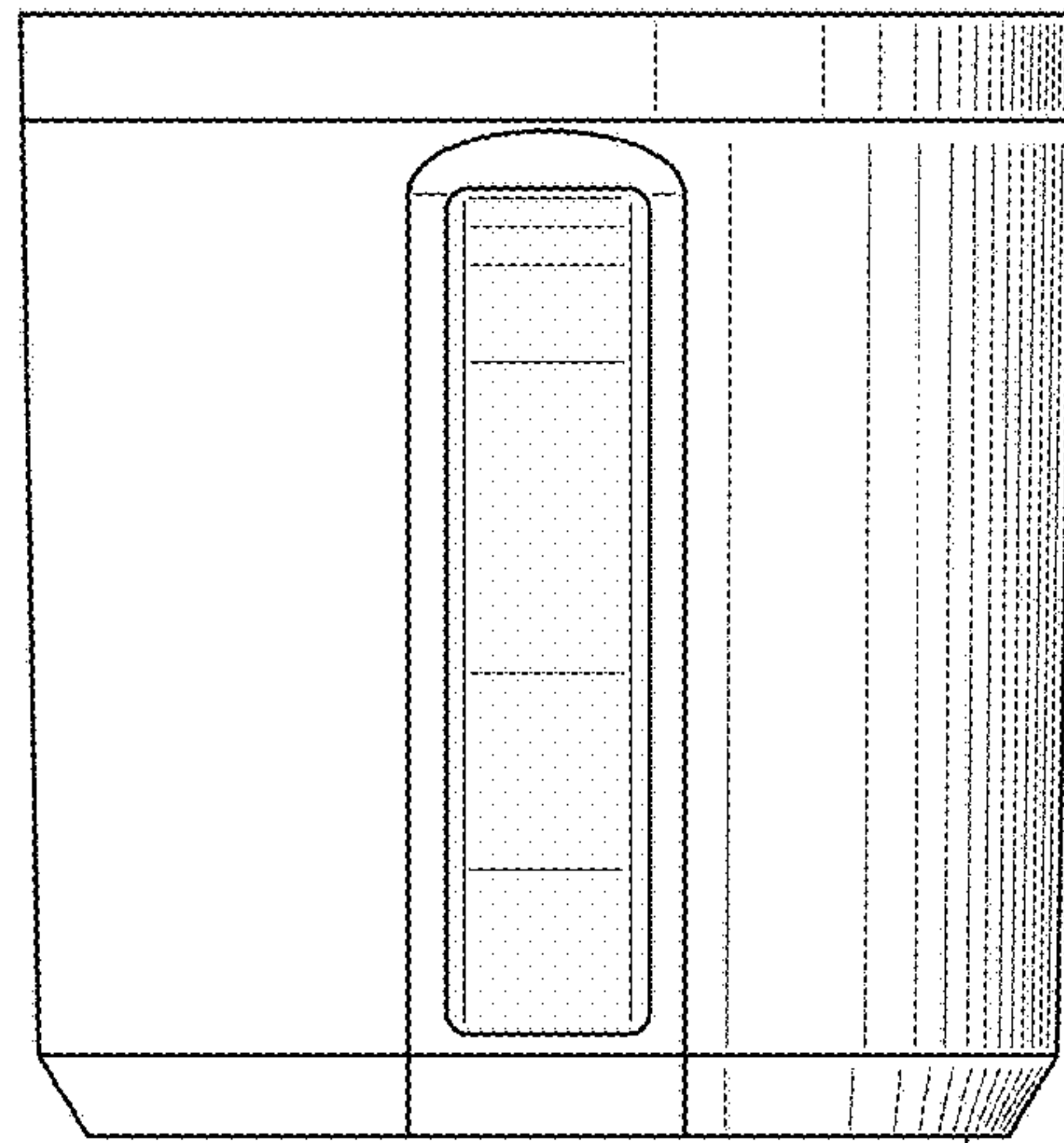


FIG. 4

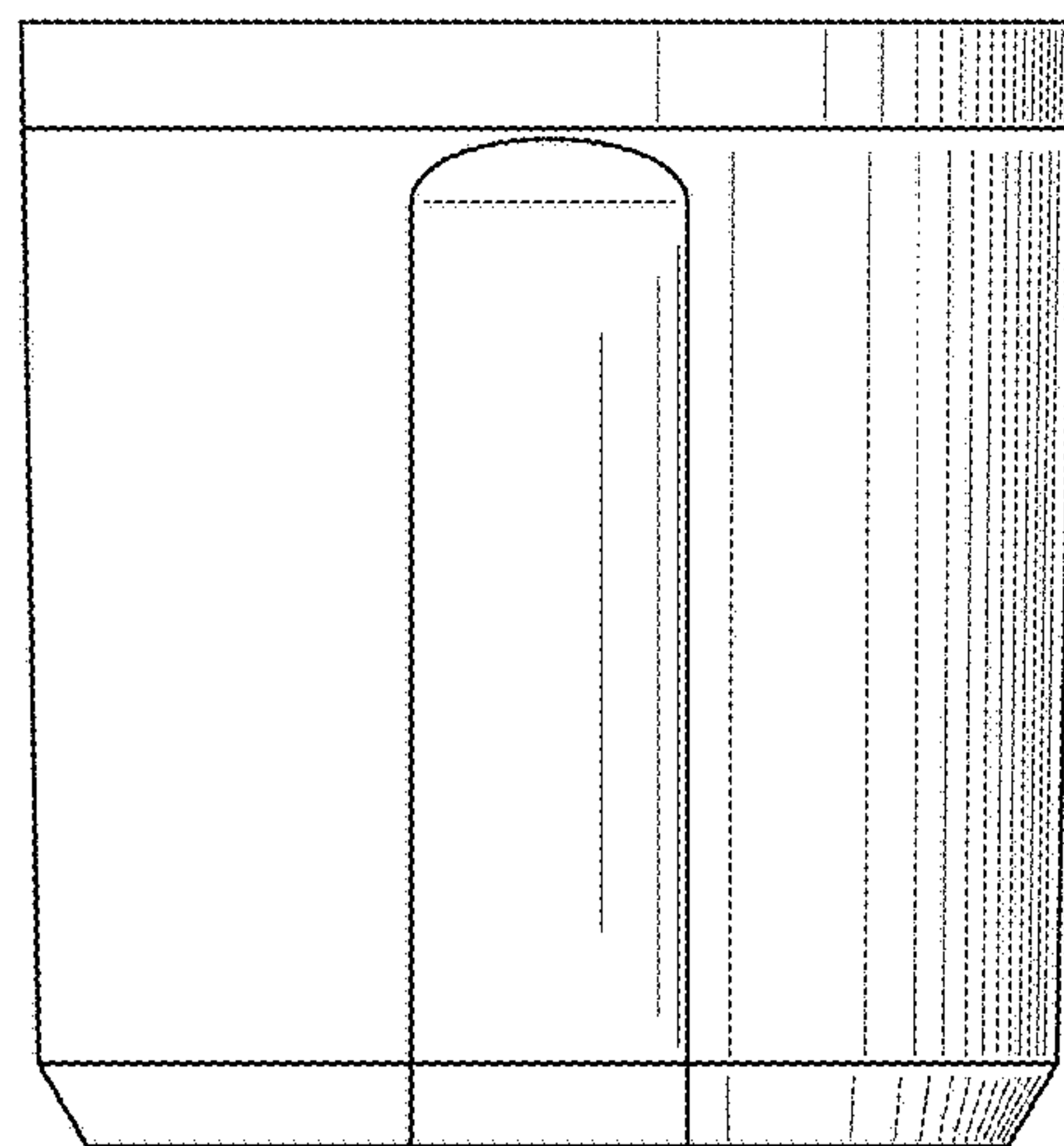


FIG. 5

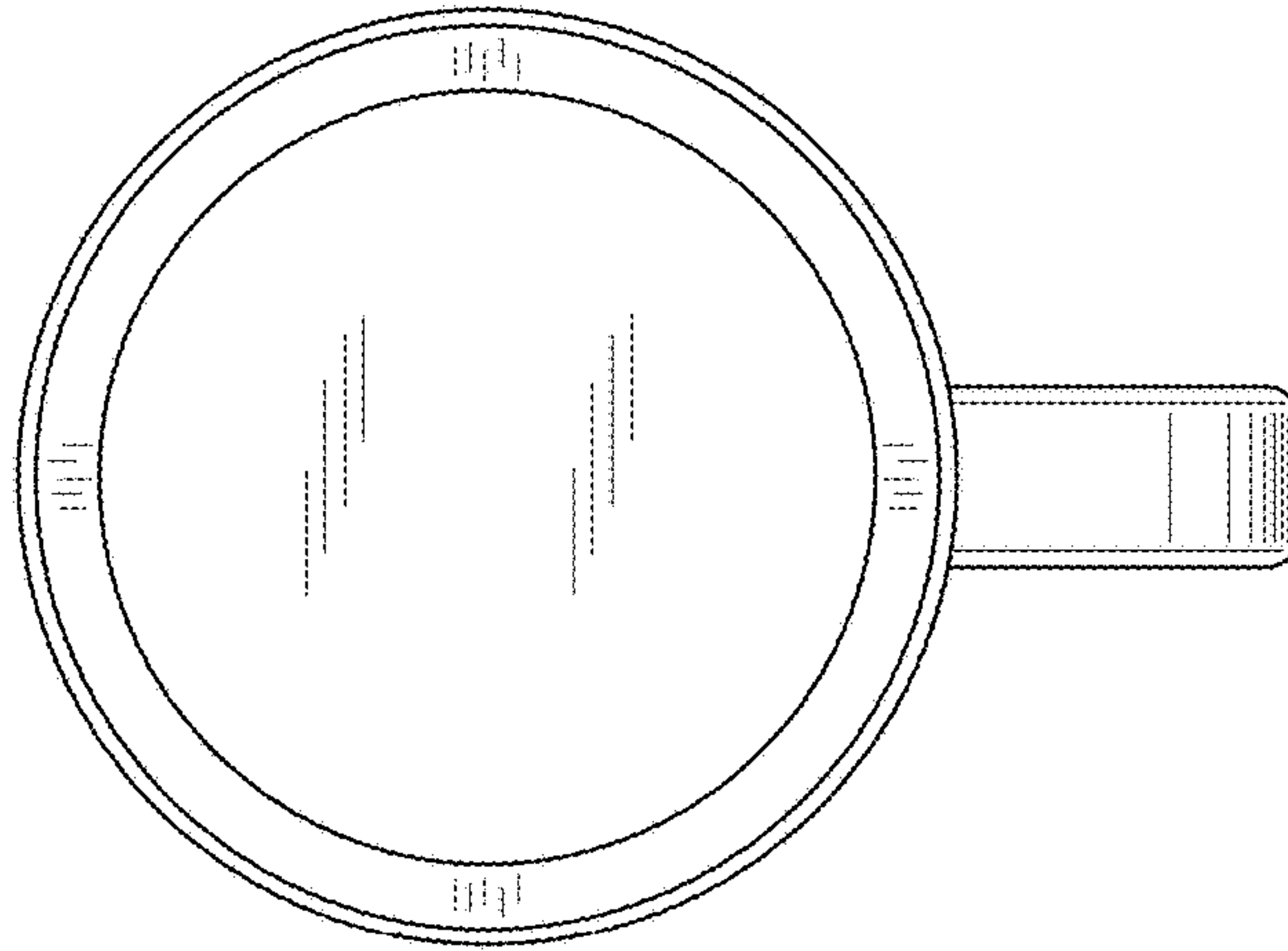


FIG. 6

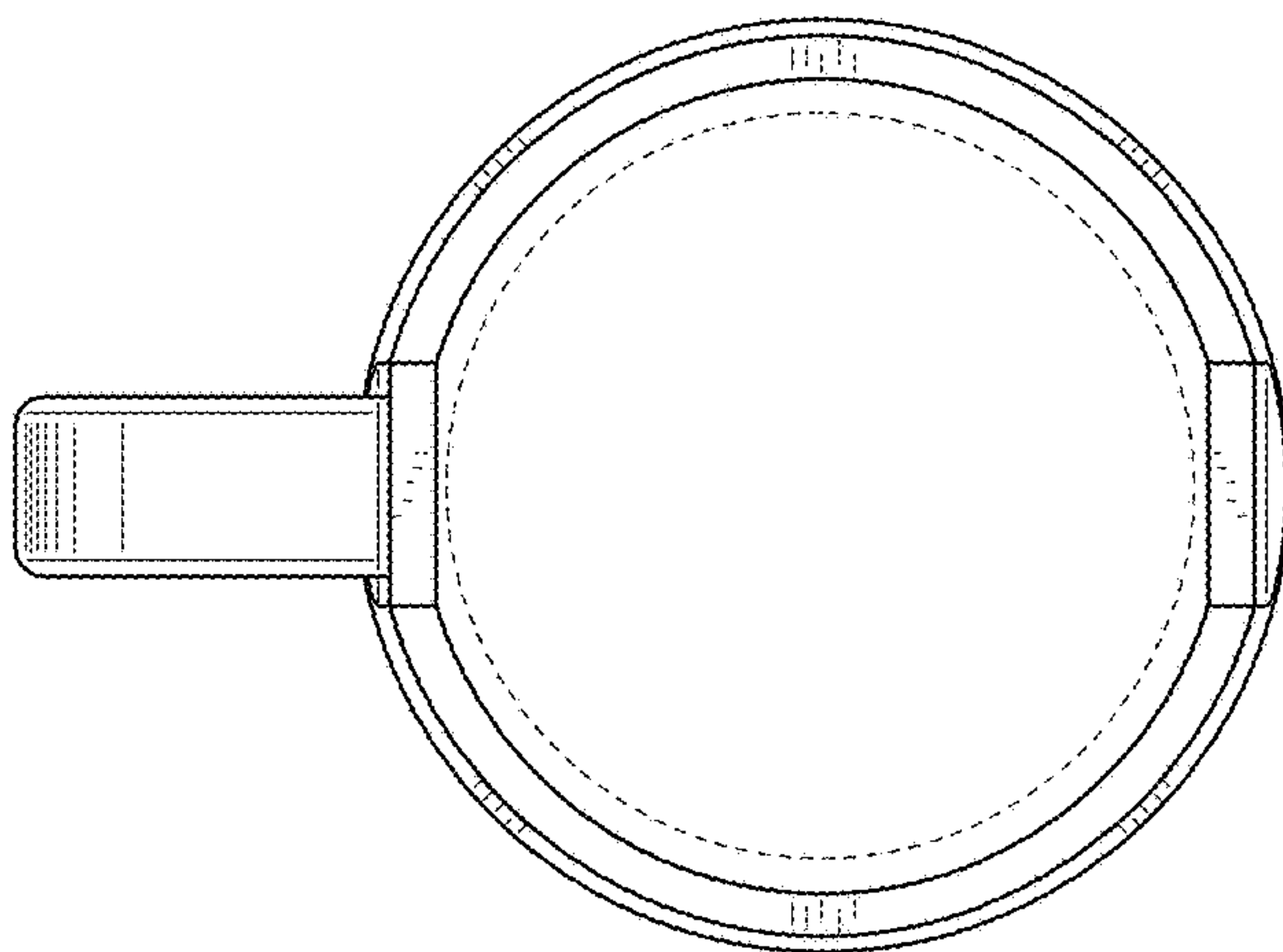


FIG. 7

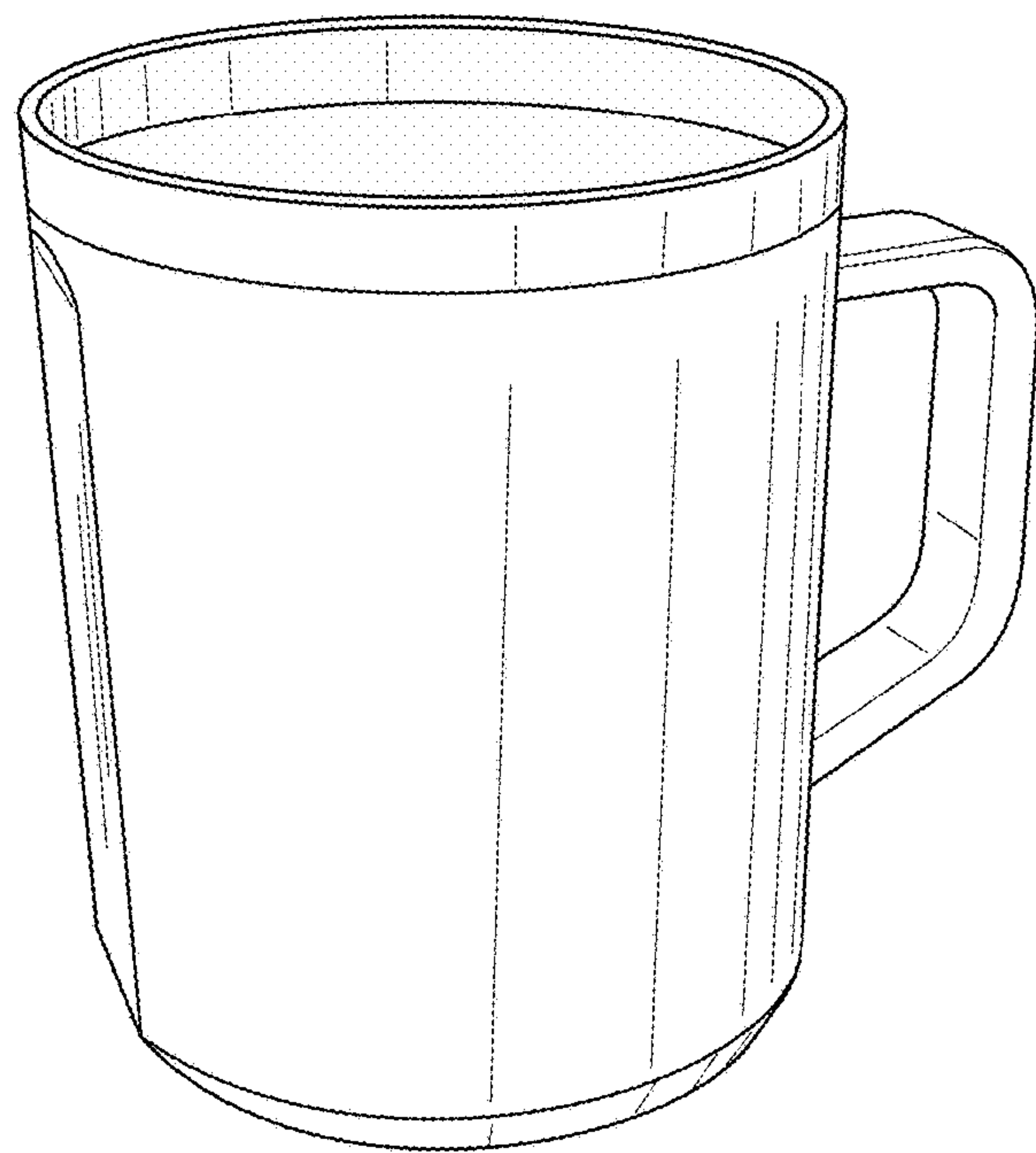


FIG. 8

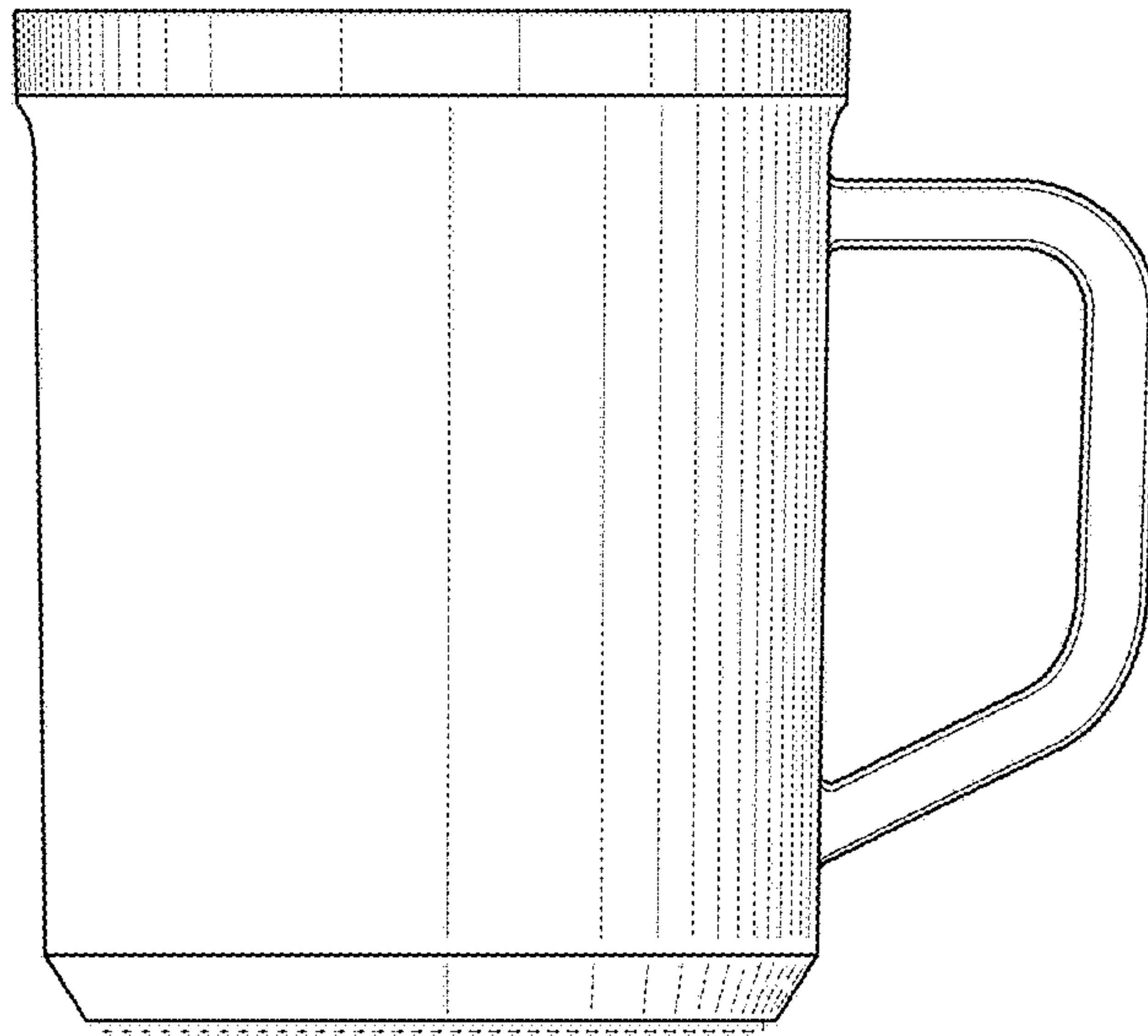


FIG. 9

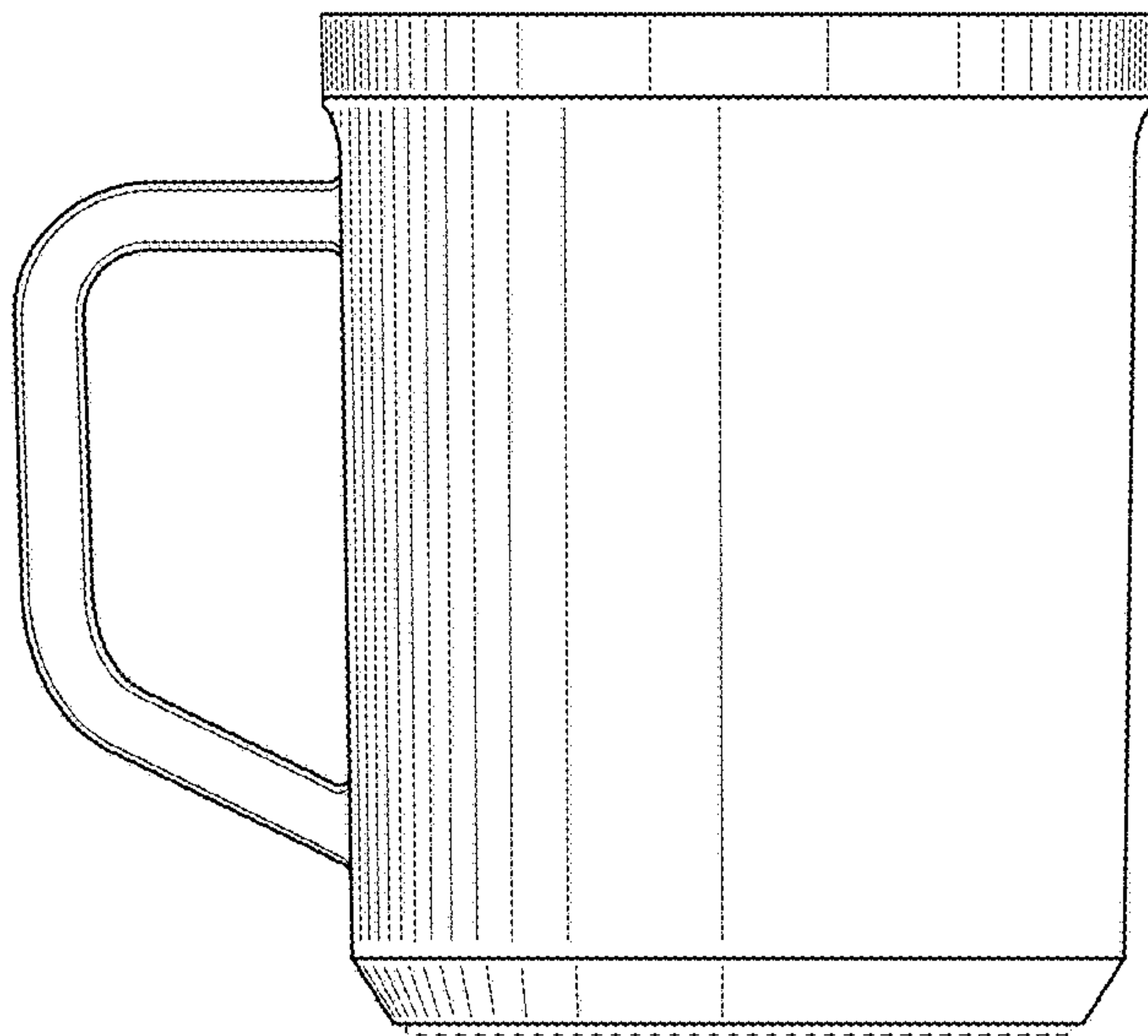


FIG. 10

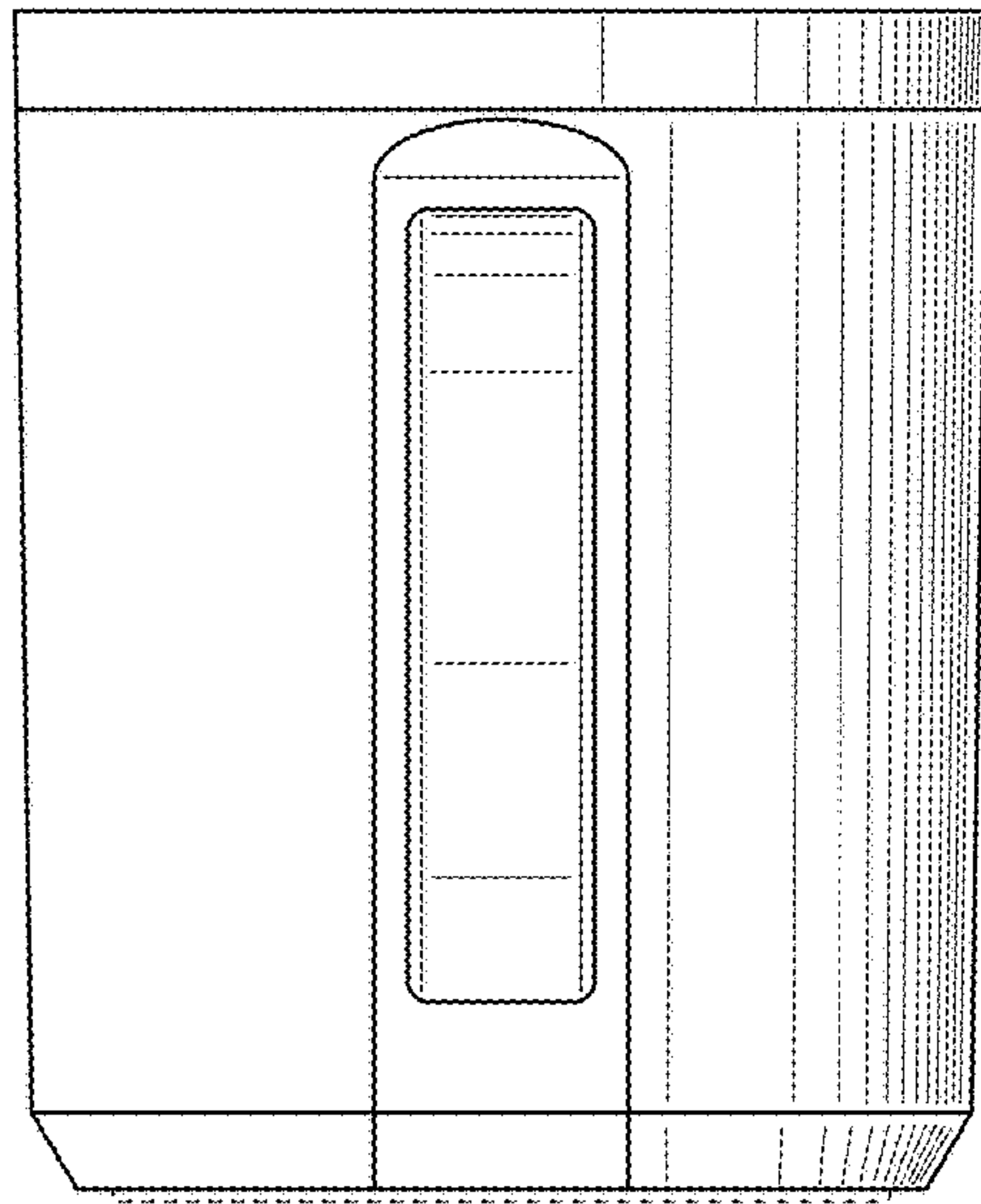


FIG. 11

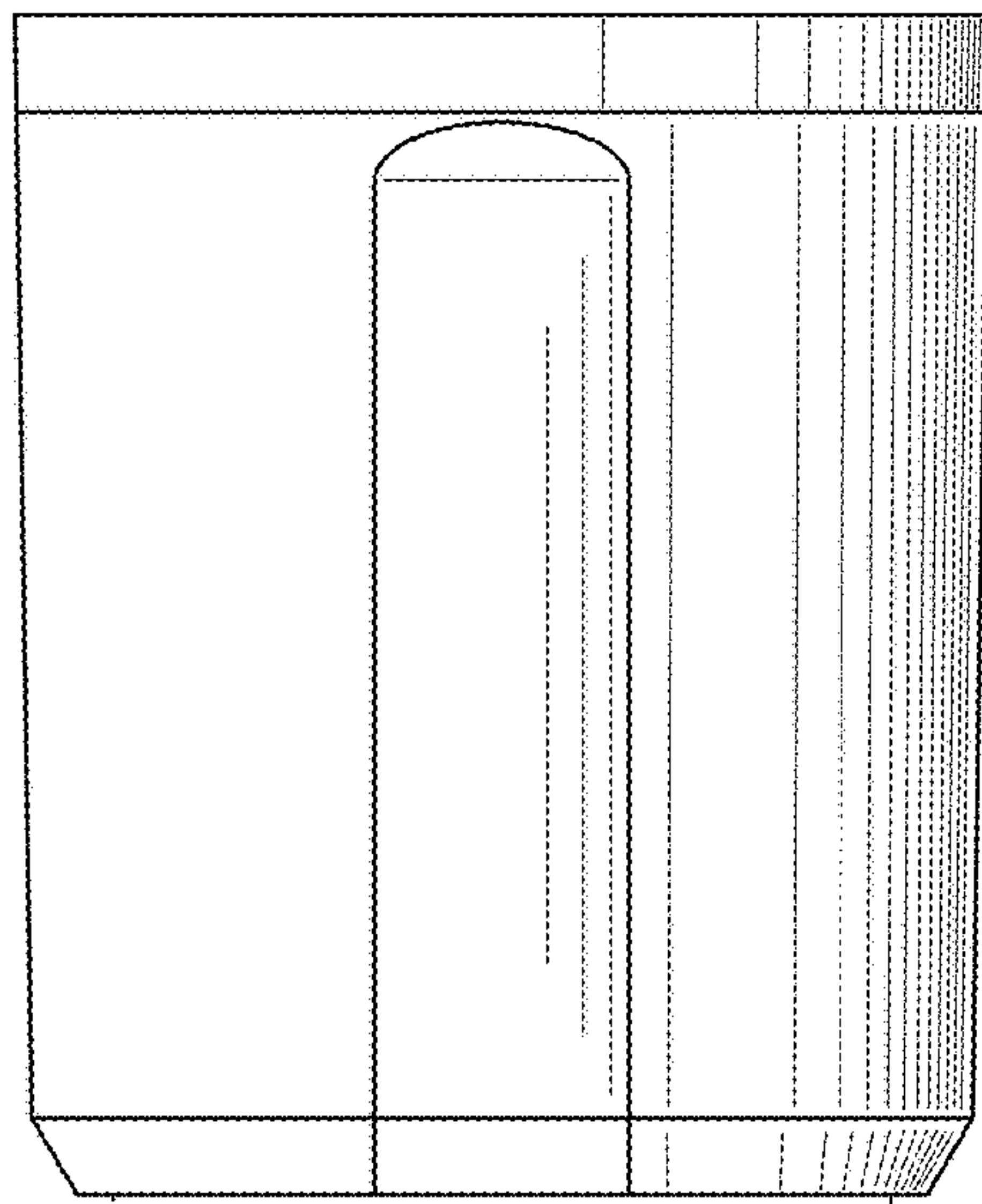


FIG. 12

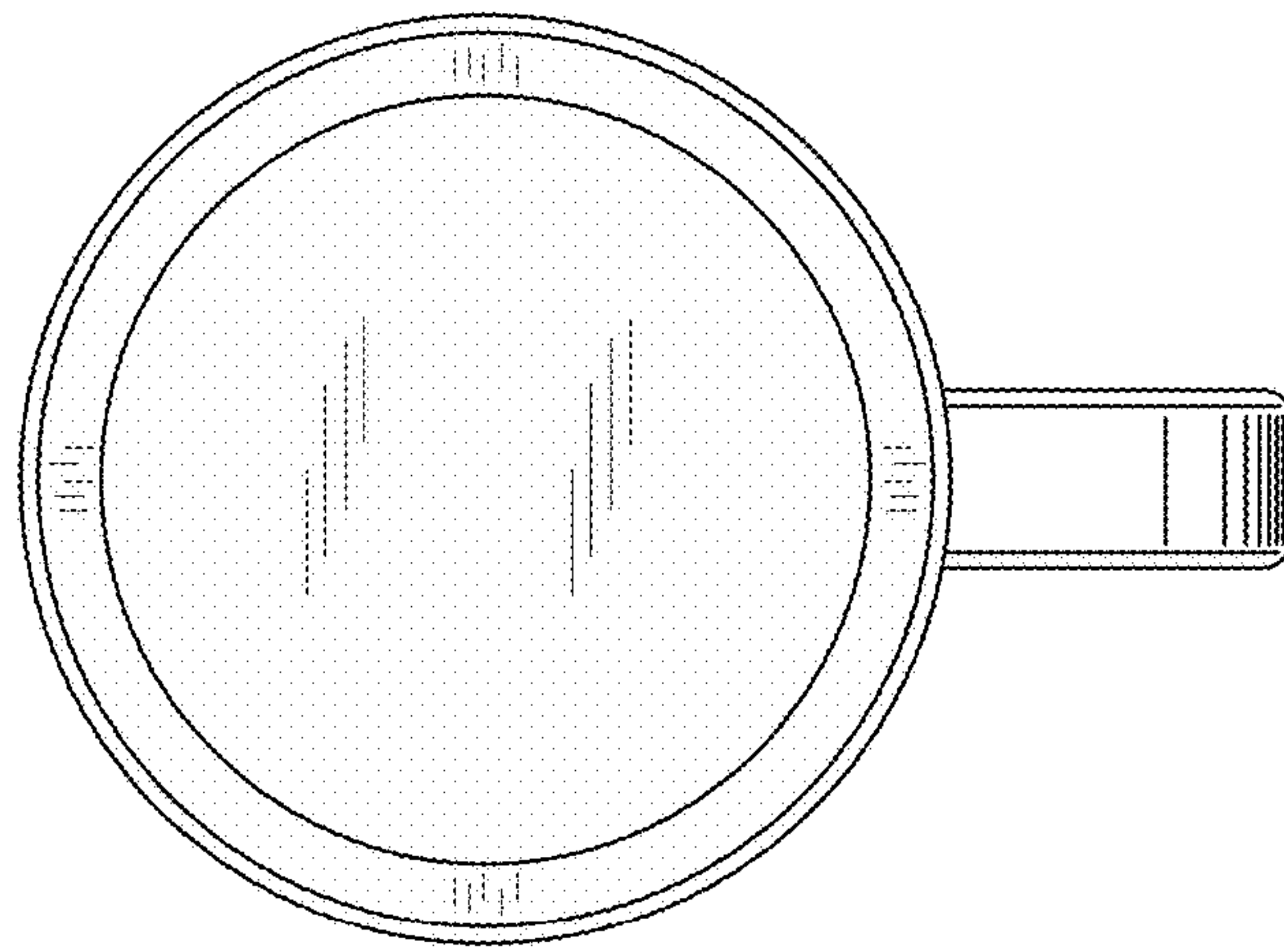


FIG. 13

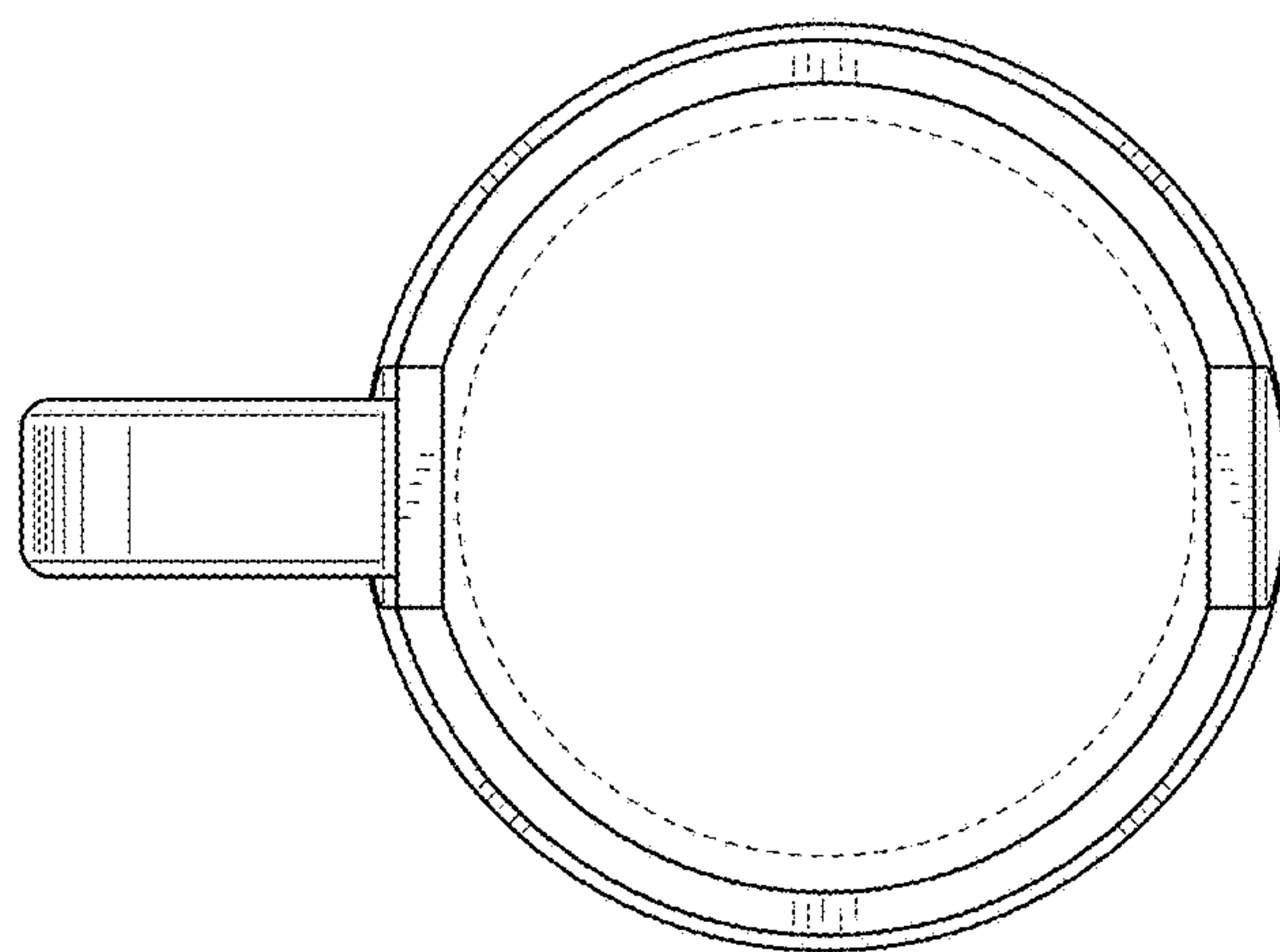


FIG. 14