



US00D872538S

(12) **United States Design Patent** (10) **Patent No.:** **US D872,538 S**
Dias (45) **Date of Patent:** **** Jan. 14, 2020**

(54) **TUMBLER**

(71) Applicant: **THERMOS L.L.C.**, Schaumburg, IL (US)

(72) Inventor: **Rick Dias**, Windermere, FL (US)

(73) Assignee: **Thermos L.L.C.**, Schaumburg, IL (US)

(**) Term: **15 Years**

(21) Appl. No.: **29/657,567**

(22) Filed: **Jul. 24, 2018**

(51) **LOC (12) Cl.** **07-01**

(52) **U.S. Cl.**
USPC **D7/532; D7/533**

(58) **Field of Classification Search**
USPC D7/507, 509, 510, 511, 523, 532, 533,
D7/536, 300.1, 608, 392.1, 396.2;
D9/435, 449; 220/200, 592.16, 592.17;
D3/202
CPC A47J 43/27; A47J 41/02; A47J 41/0077;
A47G 19/22; A47G 19/2288; A47G
19/2205
See application file for complete search history.

(56) **References Cited**

U.S. PATENT DOCUMENTS

D218,288 S	8/1970	Smith	
D372,868 S	8/1996	Kobayashi et al.	
D416,757 S	11/1999	Ginuntoli	
D436,296 S *	1/2001	Freed	D7/517
D443,796 S	6/2001	Lin	
D460,661 S	7/2002	Norris et al.	
D464,849 S	10/2002	Norris et al.	
D467,124 S *	12/2002	Janky	D7/510
D469,308 S *	1/2003	Janky	D7/510
D469,309 S *	1/2003	Janky	D7/510

(Continued)

Primary Examiner — Jae Liang

(74) Attorney, Agent, or Firm — Polsinelli PC

(57) **CLAIM**

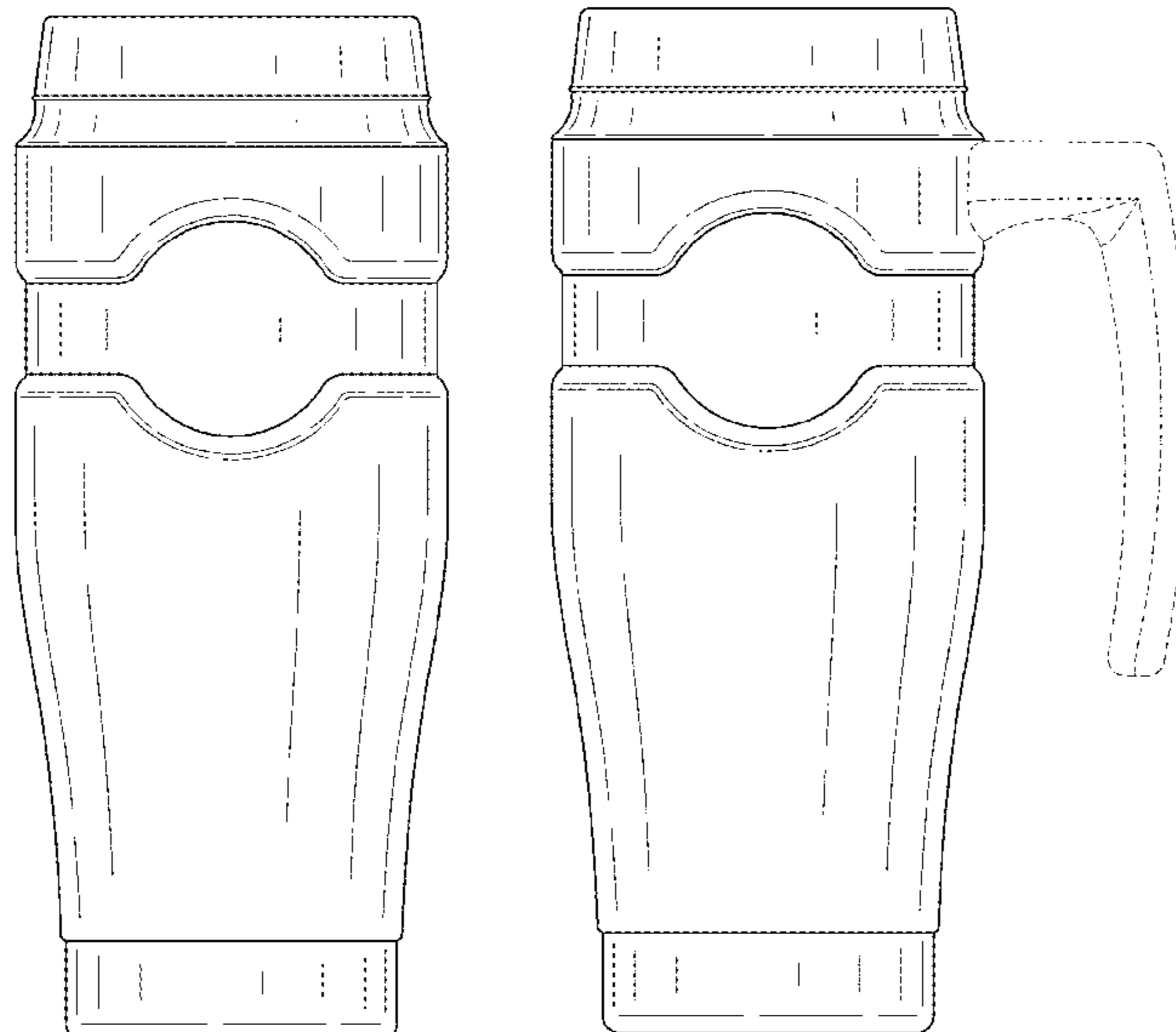
The ornamental design for a tumbler, as shown and described.

DESCRIPTION

FIG. 1 is a perspective view of a first embodiment of a tumbler showing my new design;
FIG. 2 is a front view of the first embodiment of the tumbler;
FIG. 3 is a rear view of the first embodiment of the tumbler;
FIG. 4 is a left side view of the first embodiment of the tumbler;
FIG. 5 is a right side view of the first embodiment of the tumbler;
FIG. 6 is a top view of the first embodiment of the tumbler;
FIG. 7 is a bottom view of the first embodiment of the tumbler;
FIG. 8 is a perspective view of a second embodiment of a tumbler;
FIG. 9 is a front view of the second embodiment of the tumbler;
FIG. 10 is a rear view of the second embodiment of the tumbler;
FIG. 11 is a left side view of the second embodiment of the tumbler;
FIG. 12 is a right side view of the second embodiment of the tumbler;
FIG. 13 is a top view of the second embodiment of the tumbler; and,
FIG. 14 is a bottom view of the second embodiment of the tumbler.

The broken lines showing in the figures are included for the purpose of illustrating portions of the tumbler that form no part of the claimed design. The dash-dot lines showing in the figures are included for defining the bounds of the claimed design that form no part thereof.

1 Claim, 9 Drawing Sheets



(56)

References Cited

U.S. PATENT DOCUMENTS

D482,933 S 12/2003 Norris et al.
6,702,138 B1 * 3/2004 Bielecki A47G 19/2272
220/254.9
D523,692 S * 6/2006 Meehan D7/507
D529,763 S 10/2006 Zerillo et al.
D530,980 S 10/2006 Zerillo et al.
D534,038 S * 12/2006 Kramer D7/510
D535,524 S 1/2007 Kramer
D537,676 S 3/2007 Kingsley
D539,609 S 4/2007 Ying et al.
D542,093 S * 5/2007 Meehan D10/2
D551,022 S * 9/2007 Meehan D7/507
D560,435 S 1/2008 Meehan
D561,590 S 2/2008 Kingsley
D565,901 S 4/2008 Edelstein et al.
D568,107 S * 5/2008 Bhavnani D7/509
D569,187 S 5/2008 Sandberg
D572,981 S 7/2008 Carreno
D600,071 S 9/2009 Carreno
D600,073 S * 9/2009 Carreno D7/509
D619,419 S * 7/2010 McClellan D7/509
D625,562 S * 10/2010 McClellan D7/509
D655,570 S * 3/2012 Meehan D7/510
D658,007 S * 4/2012 George D7/509
D712,701 S * 9/2014 Boroski D7/533
D720,186 S * 12/2014 Lane D7/533

* cited by examiner

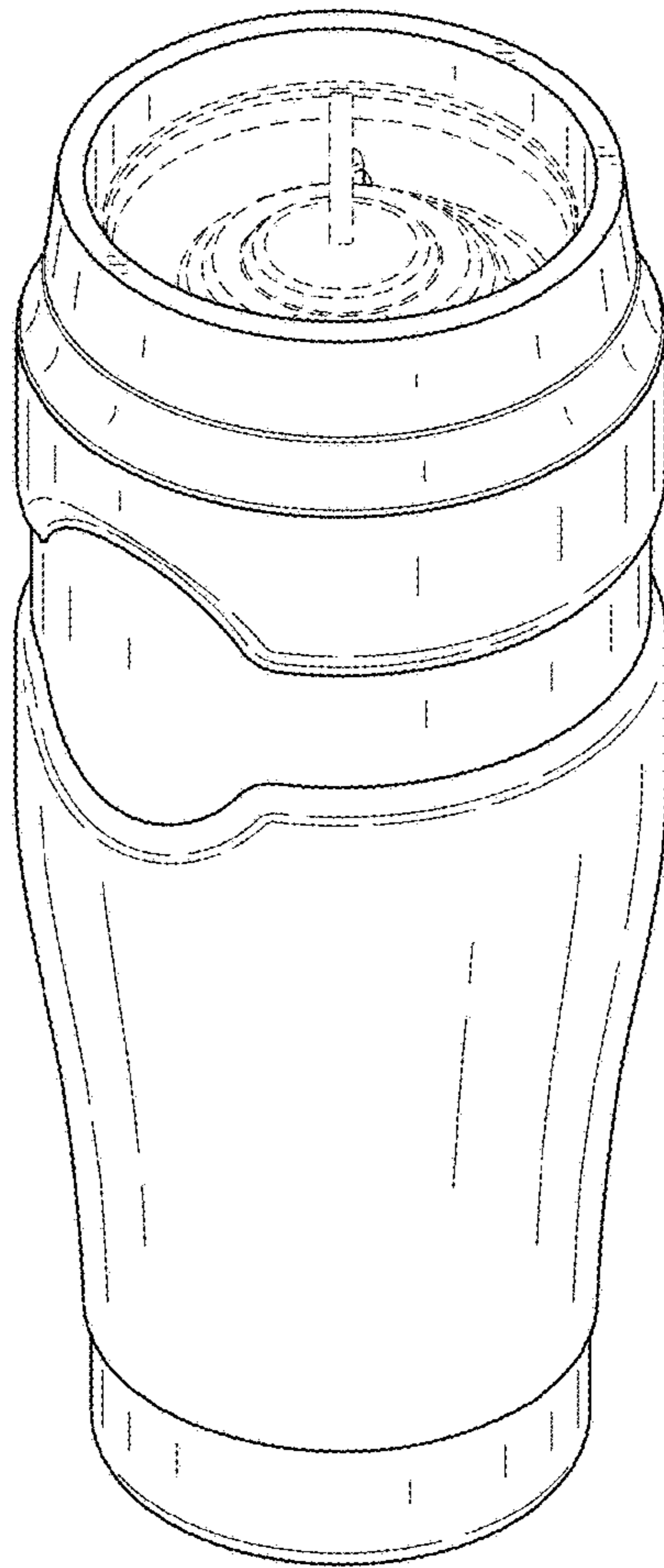


FIG. 1

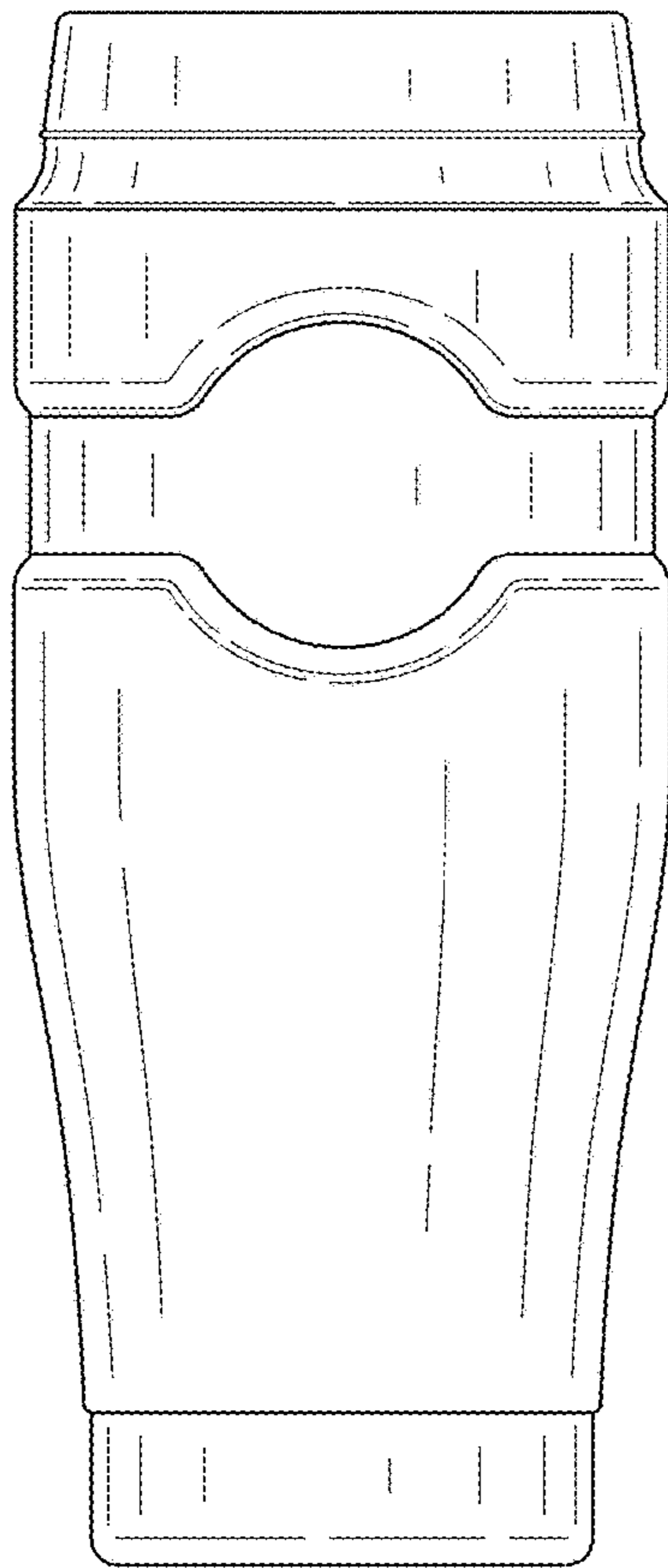


FIG. 2

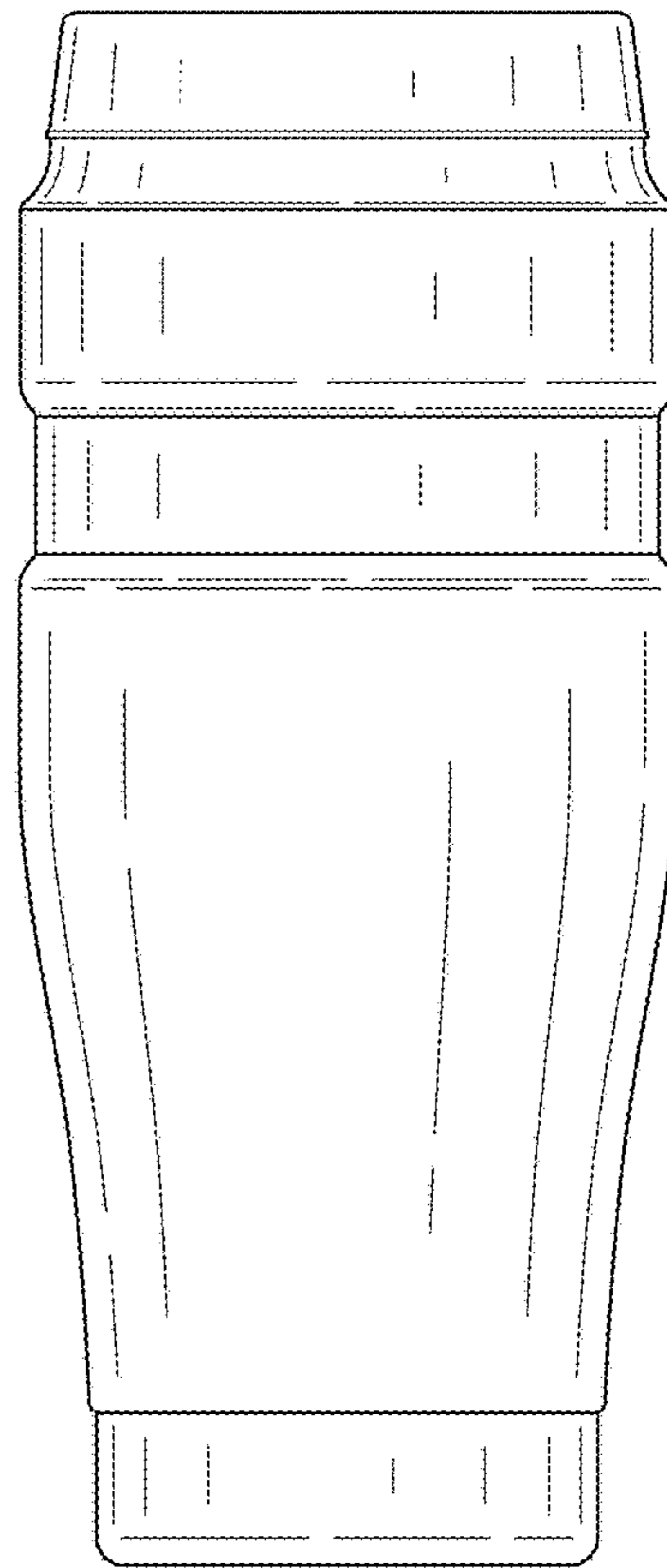


FIG. 3

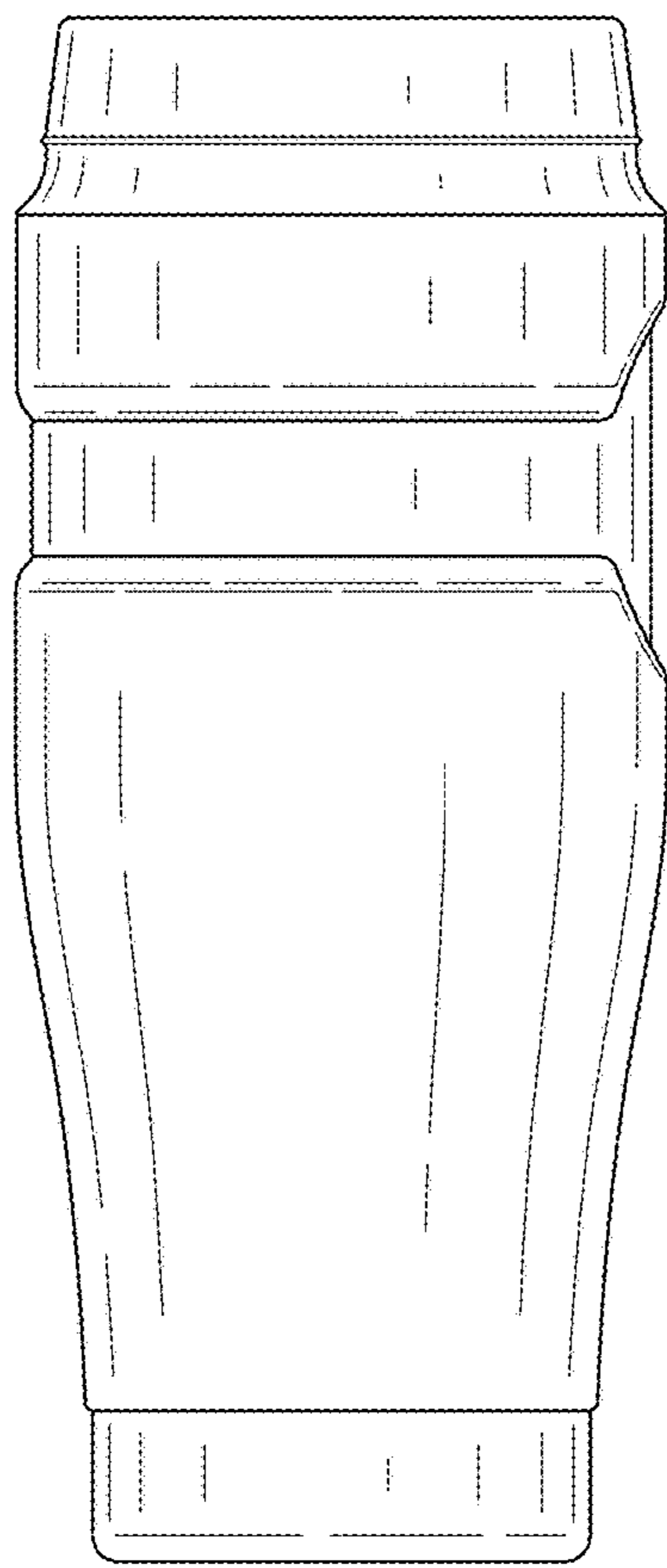


FIG. 4

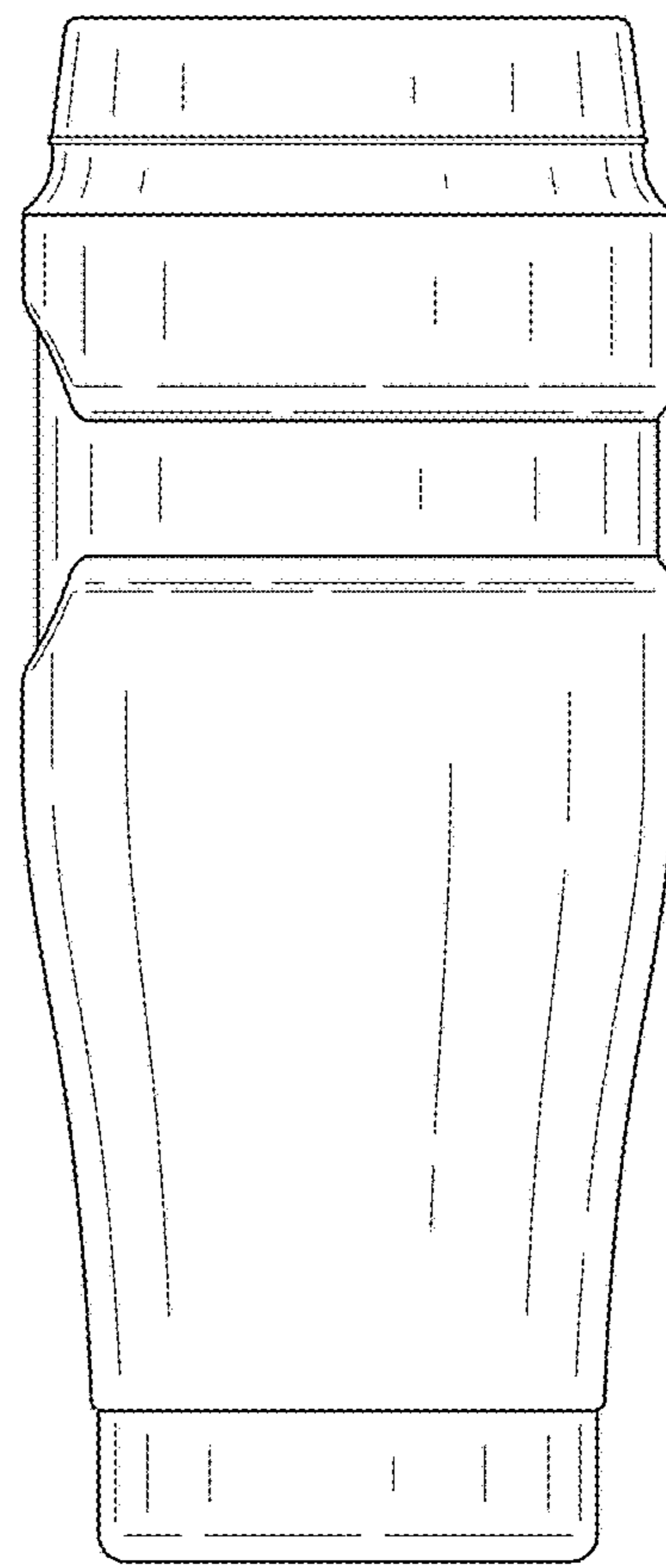


FIG. 5

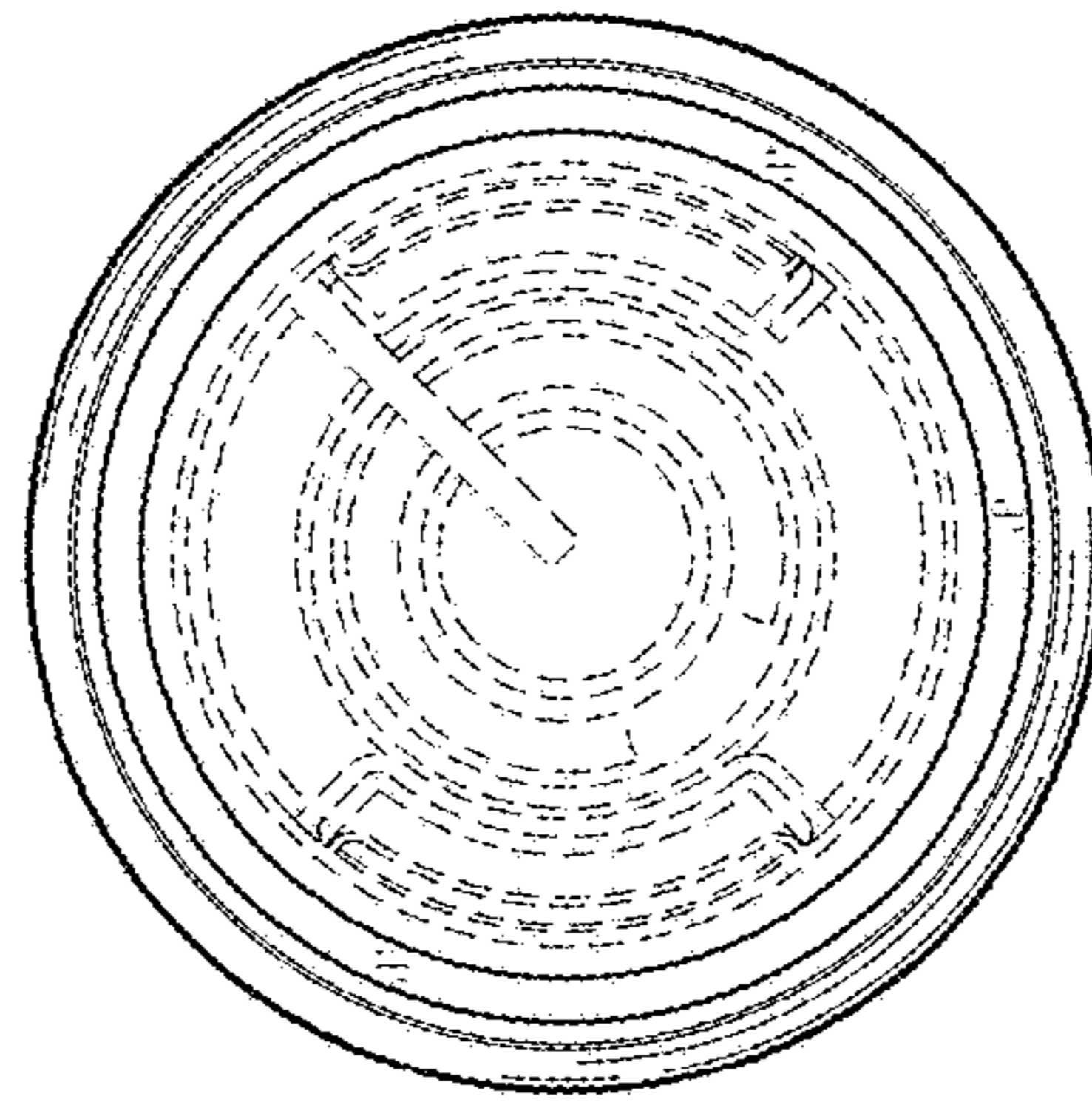


FIG. 6

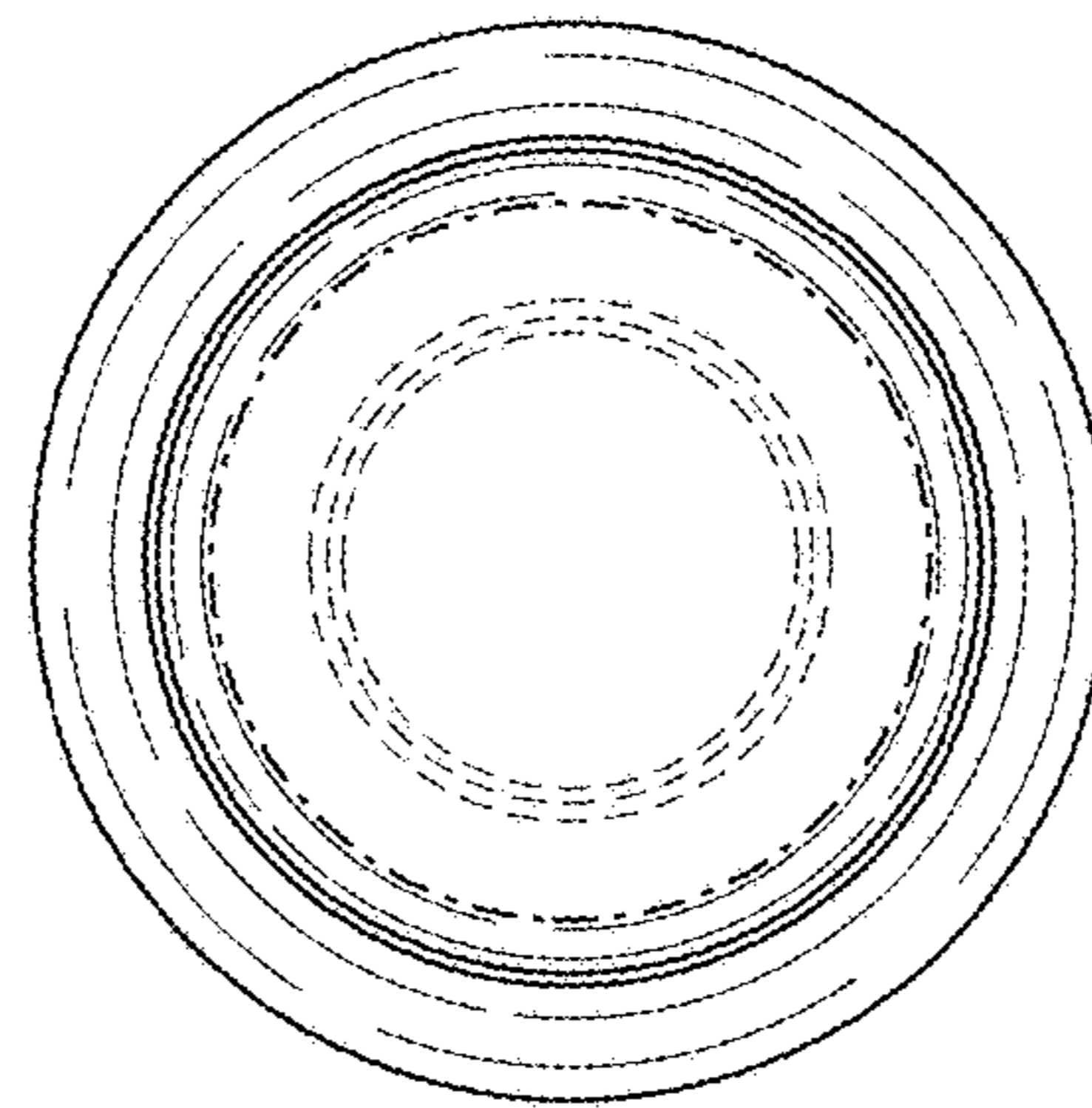


FIG. 7

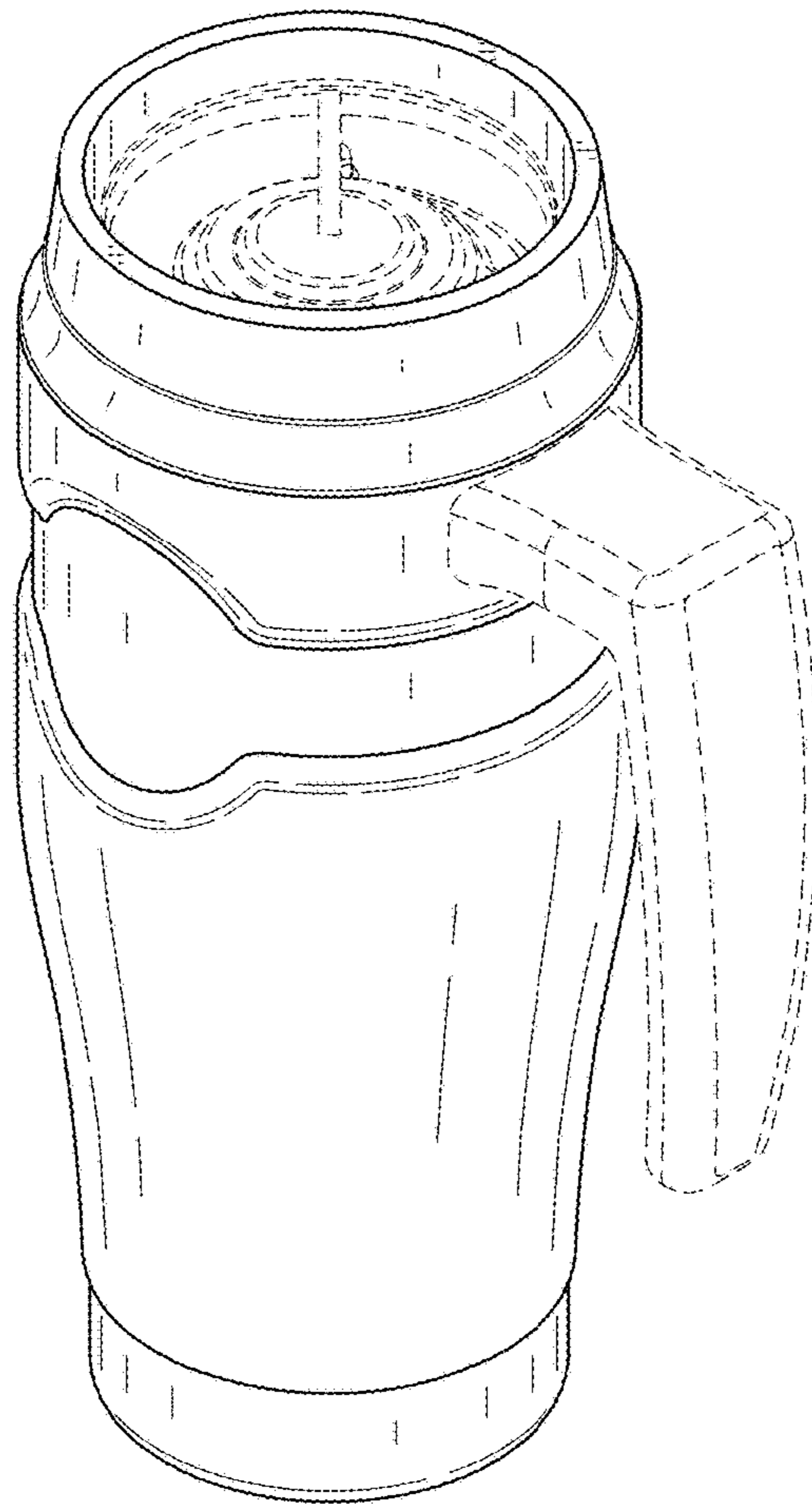


FIG. 8

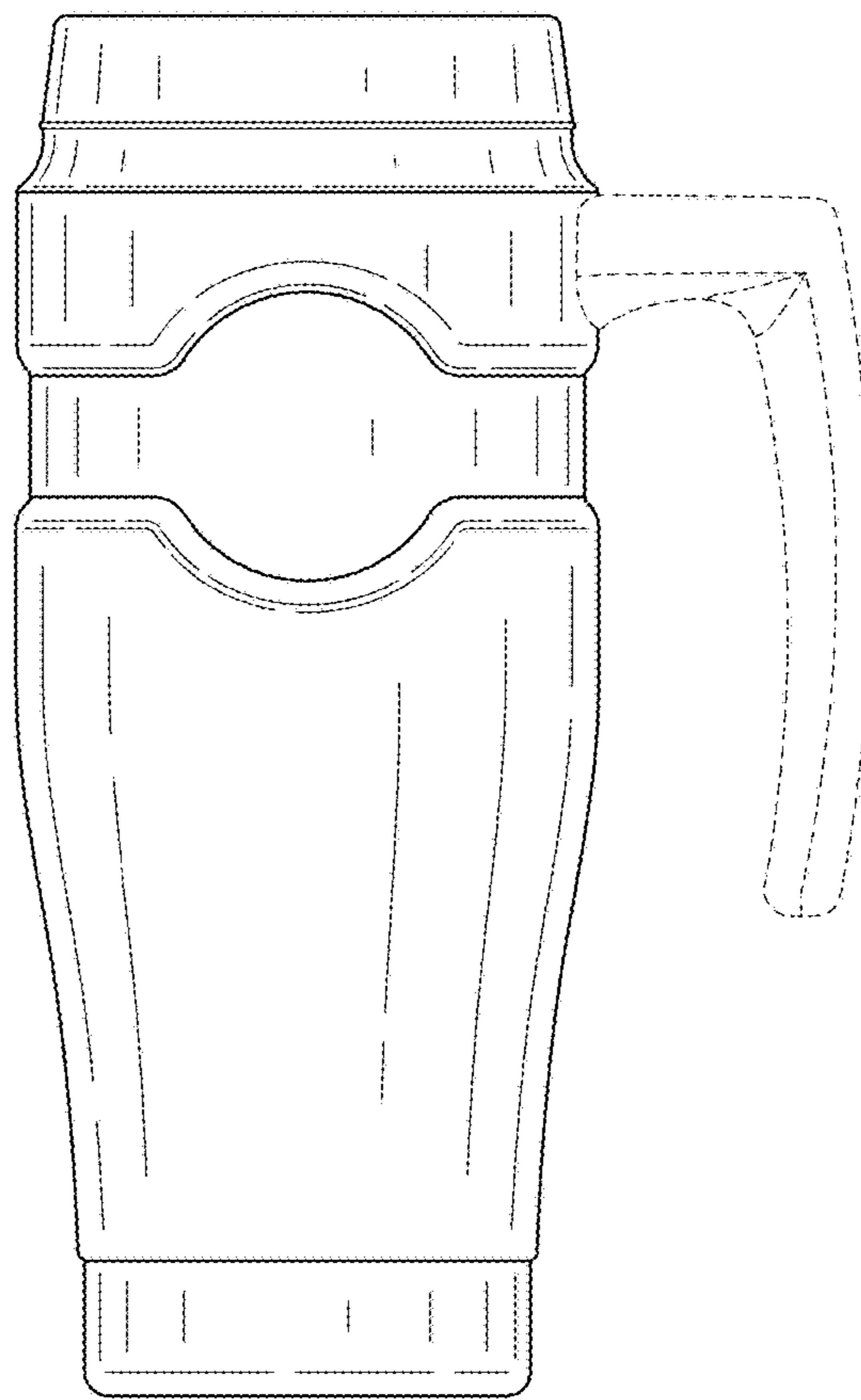


FIG. 9

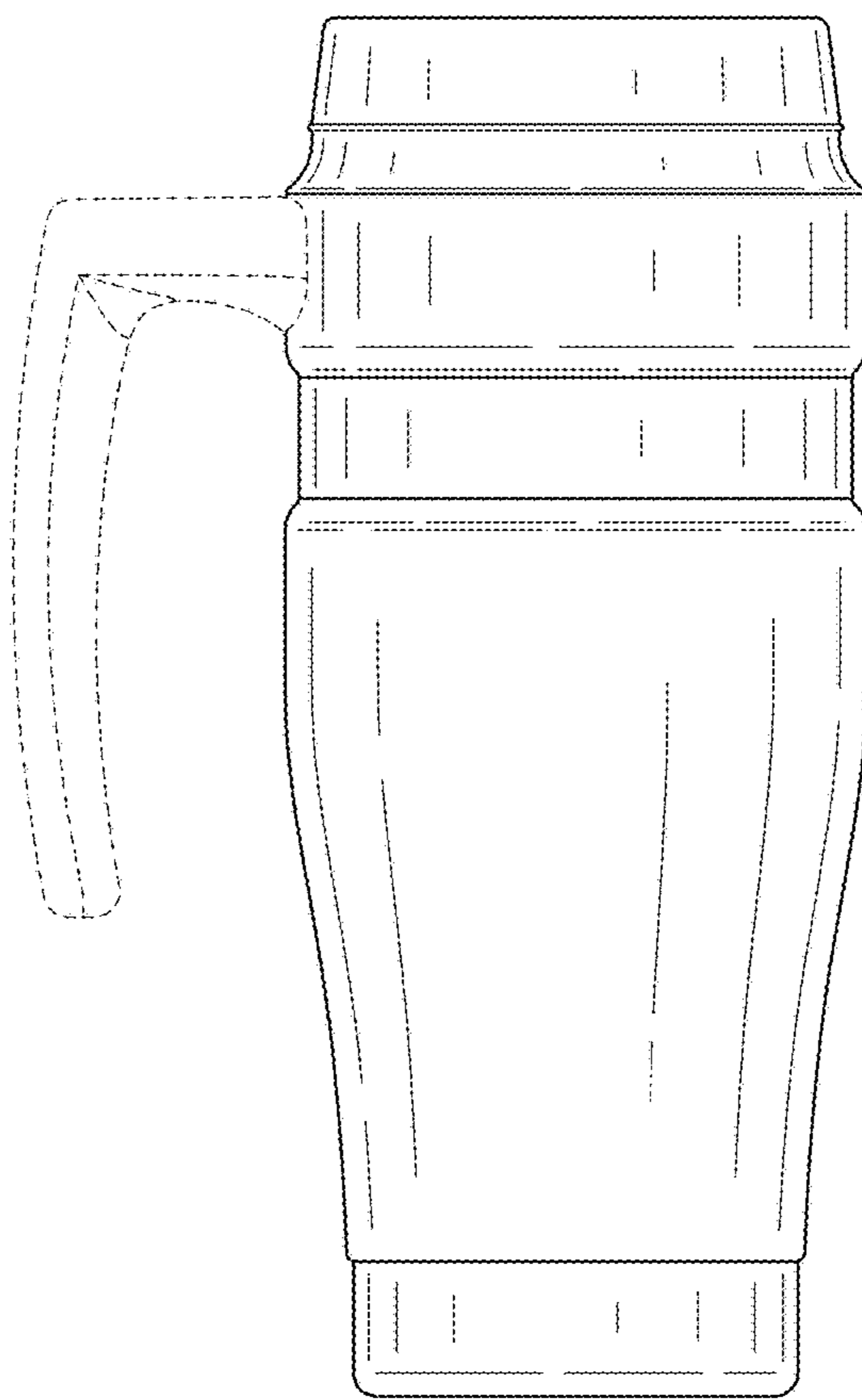


FIG. 10

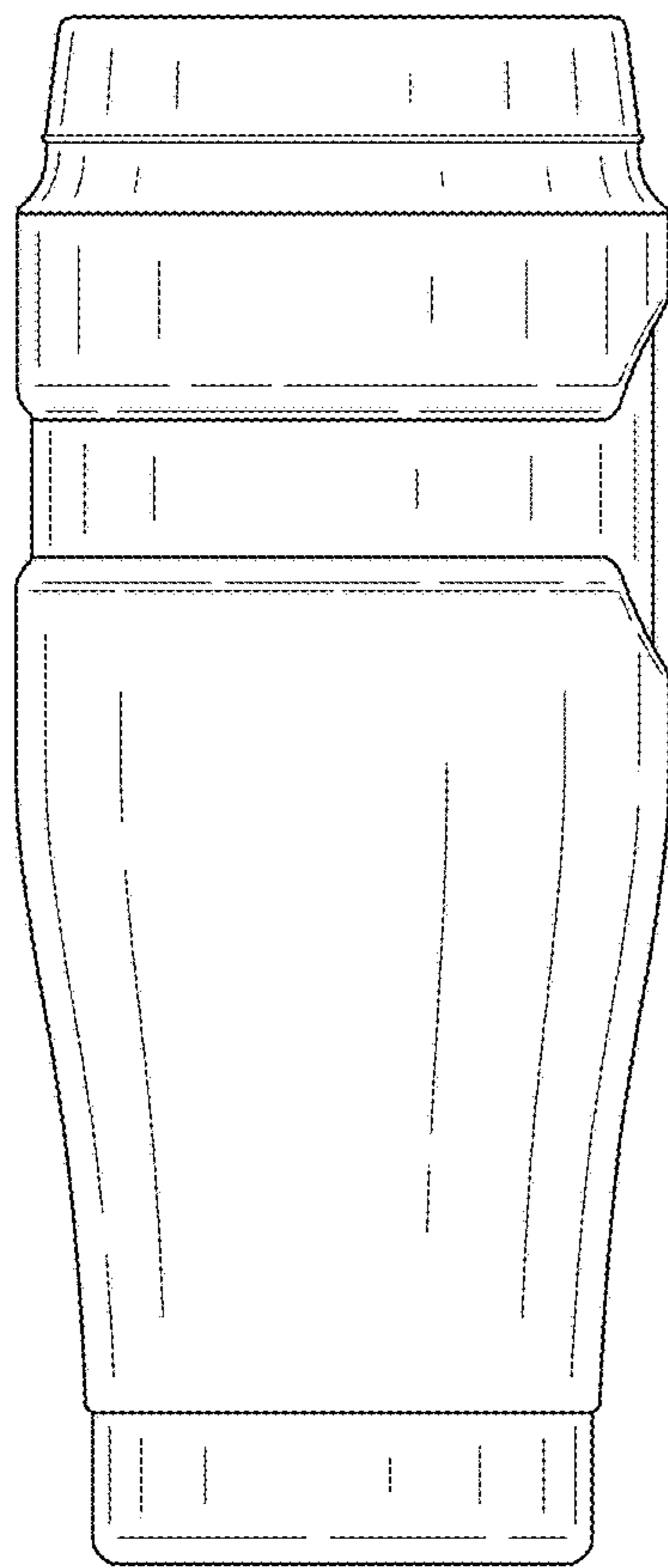


FIG. 11

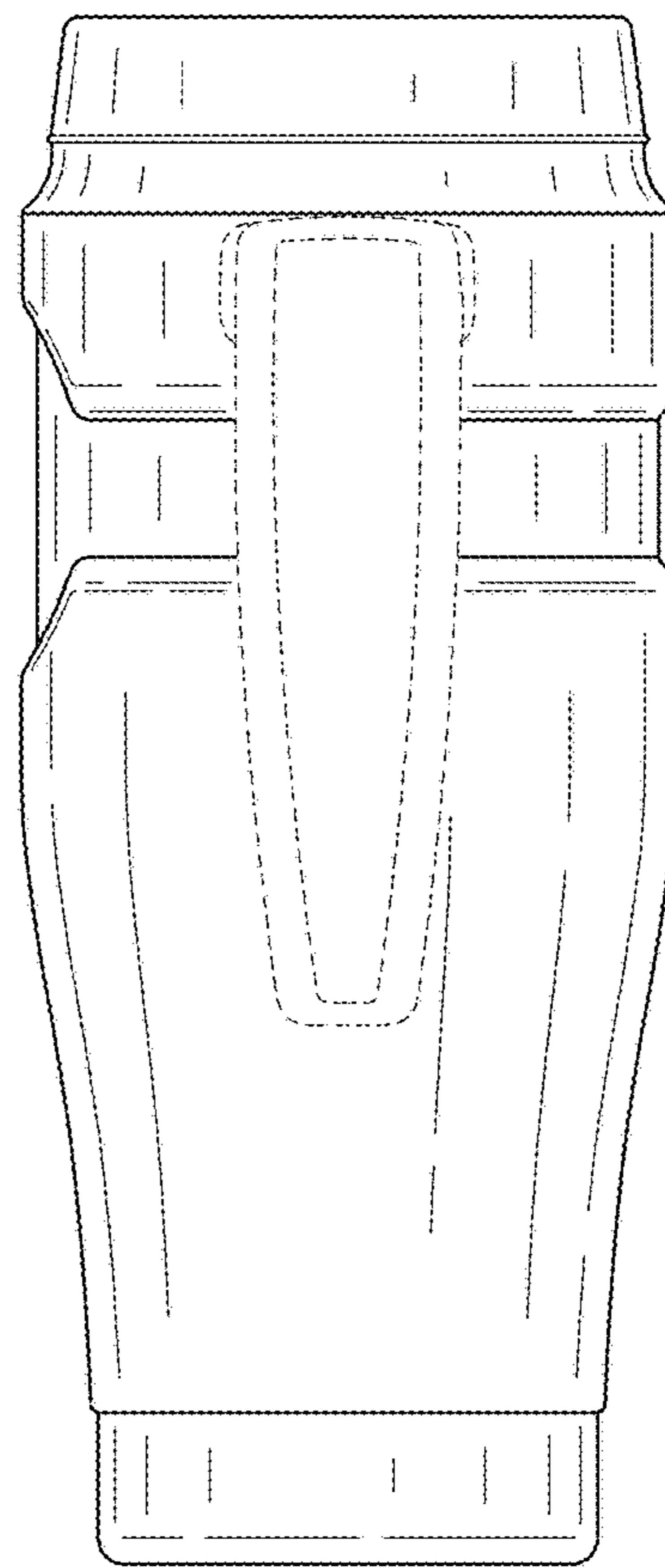


FIG. 12

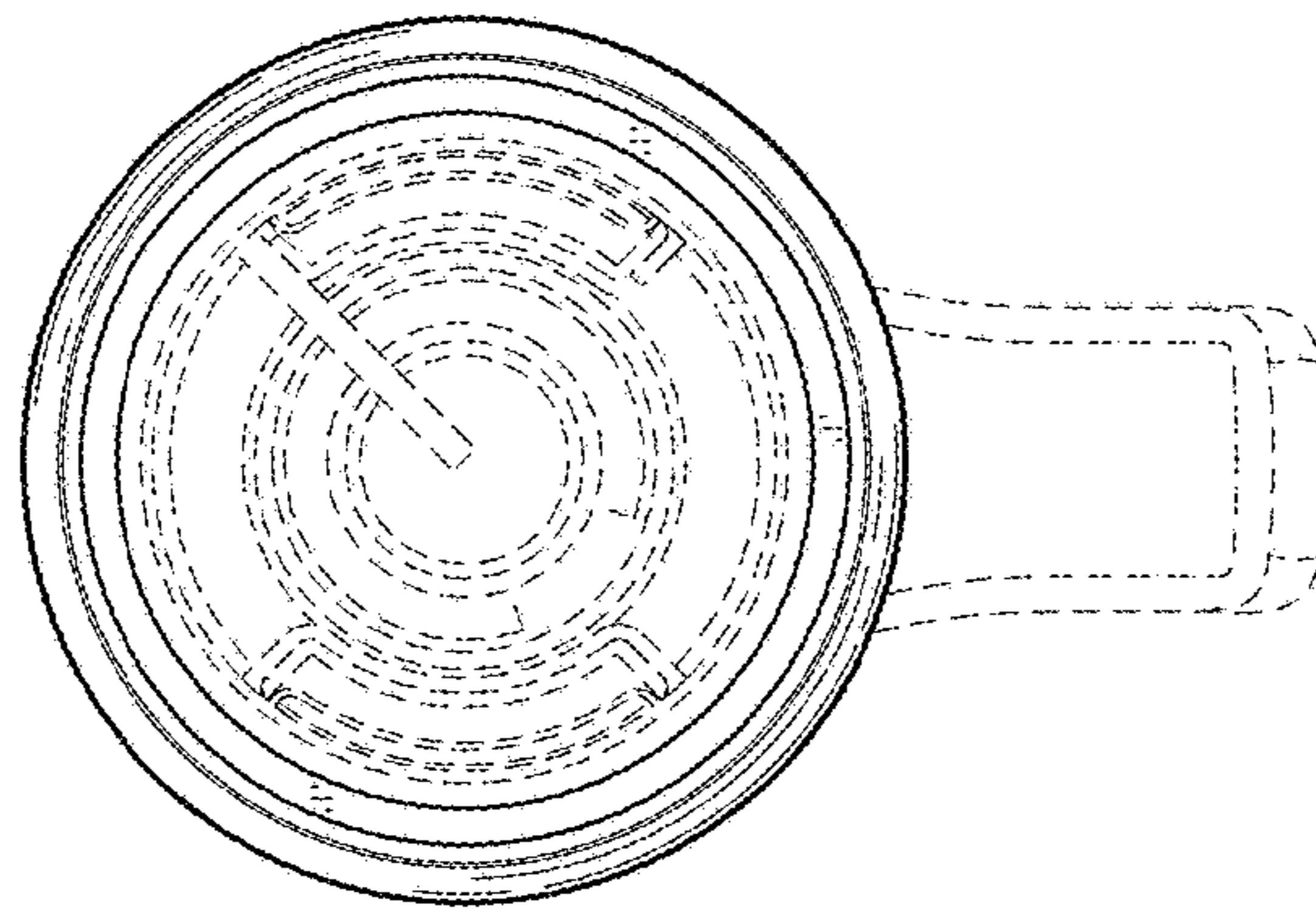


FIG. 13

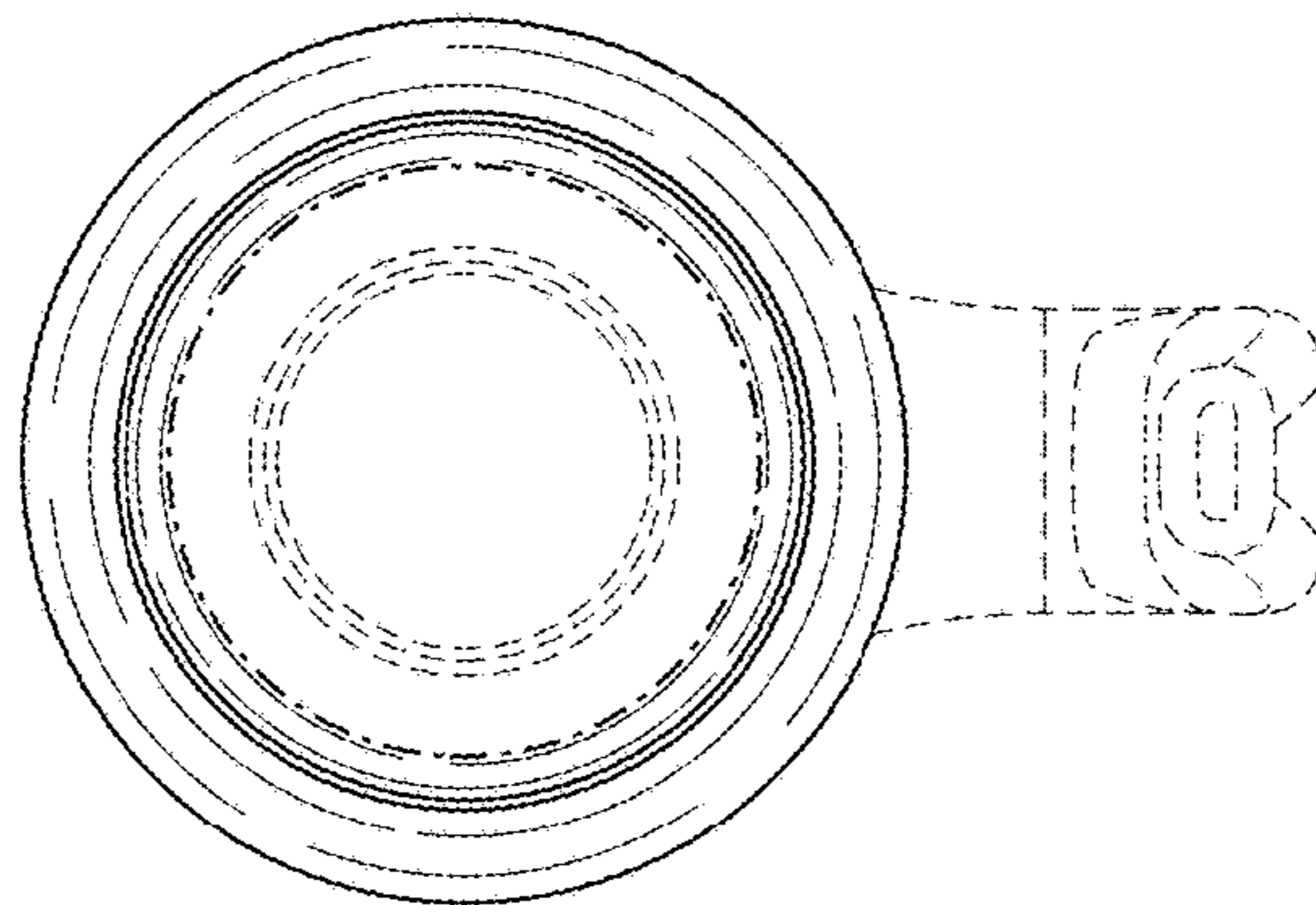


FIG. 14