

US00D872537S

(12) **United States Design Patent**
Guccione

(10) **Patent No.:** **US D872,537 S**

(45) **Date of Patent:** **** Jan. 14, 2020**

- (54) **DRINKING TUMBLER**
- (71) Applicant: **American Sewing Machine, Inc.**, Saint Charles, MO (US)
- (72) Inventor: **Michael Guccione**, Saint Charles, MO (US)
- (73) Assignee: **American Sewing Machine, Inc.**, St Charles, MO (US)
- (**) Term: **15 Years**
- (21) Appl. No.: **29/656,424**
- (22) Filed: **Jul. 12, 2018**
- (51) **LOC (12) Cl.** **07-01**
- (52) **U.S. Cl.**
USPC **D7/532; D7/523; D7/510**
- (58) **Field of Classification Search**
USPC D7/507, 509, 510, 511, 523, 532, 533, D7/536, 300.1, 608, 392.1, 396.2, 524; D9/435, 449, 503, 504, 552, 447, 727, D9/728, 519, 454, 554, 500; 220/200, 220/592.16, 592.17; D3/202
CPC A47J 43/27; A47J 41/02; A47J 41/0077; A47G 19/22; A47G 19/2288; A47G 19/2205
See application file for complete search history.

- D427,852 S * 7/2000 Tal D7/509
- D513,916 S * 1/2006 Namee D7/300.1
- 8,815,318 B2 * 8/2014 Zoss B65D 51/247
206/219
- D801,746 S * 11/2017 Thuma D7/392.1
- D825,993 S * 8/2018 Sadhwani D7/510
- D850,191 S * 6/2019 Jacobsen D7/396.2
- D850,192 S * 6/2019 Jacobsen D7/396.2
- D850,205 S * 6/2019 Hotell D7/507
- 2002/0074334 A1 * 6/2002 Karp A47G 19/2205
220/212
- 2014/0186507 A1 * 7/2014 Wales A47J 43/27
426/519
- 2017/0273484 A1 * 9/2017 Spivey A47G 19/2288
- 2019/0084734 A1 * 3/2019 Ni B65D 47/0895

* cited by examiner

Primary Examiner — Jae Liang

(74) *Attorney, Agent, or Firm* — Select Patents; Ashkon Cyrus

(57) **CLAIM**

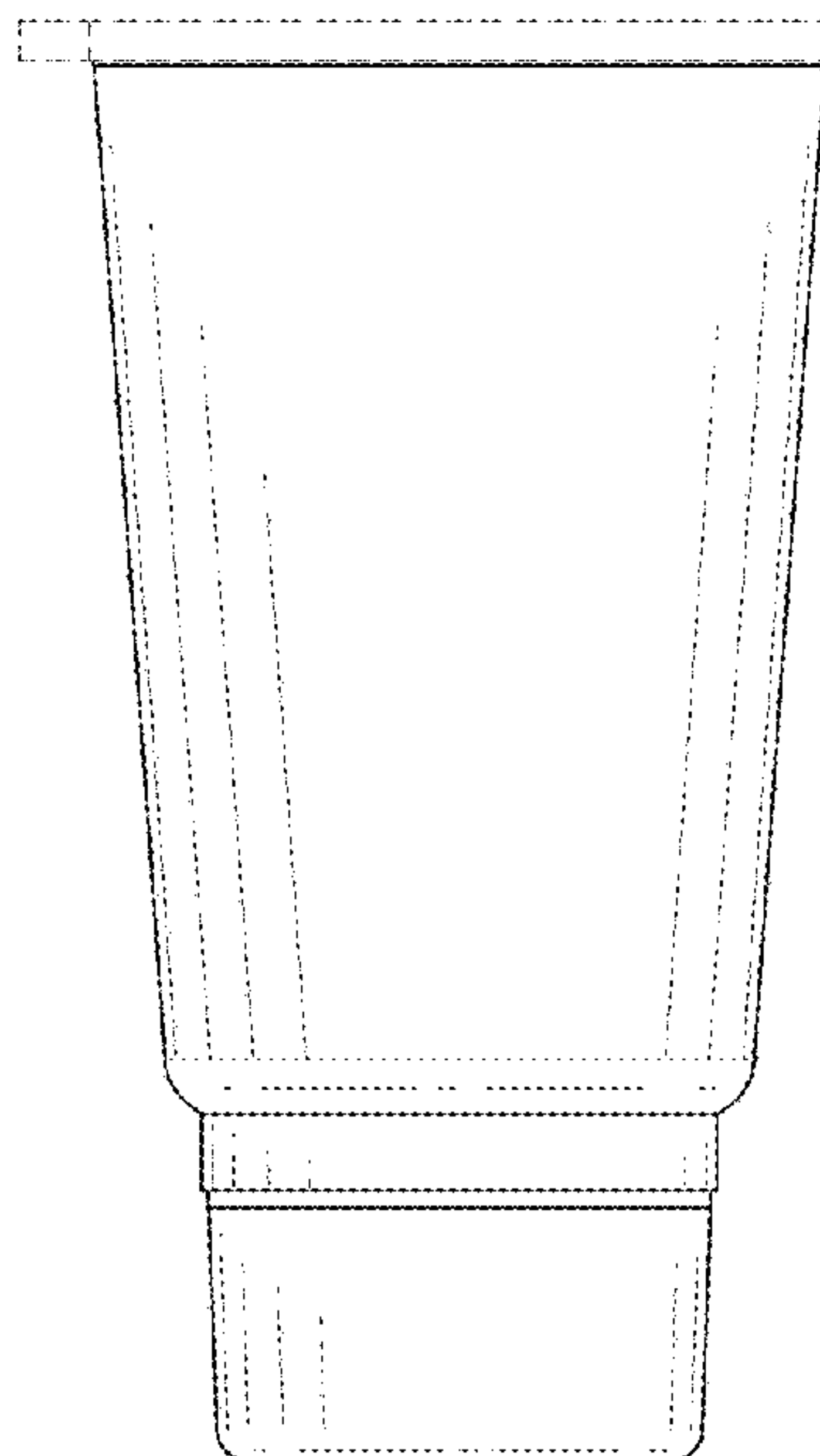
The ornamental design for a drinking tumbler, as shown and described.

DESCRIPTION

FIG. 1 is a front perspective view of a drinking tumbler.
FIG. 2 is a bottom perspective view thereof.
FIG. 3 is a top view thereof.
FIG. 4 is a bottom view thereof.
FIG. 5 is a front view thereof.
FIG. 6 is a top perspective view thereof; and,
FIG. 7 is an exploded view thereof.
The broken lines in the drawing depict portions of the drinking tumbler and form no part of the claimed design.

1 Claim, 6 Drawing Sheets

- (56) **References Cited**
U.S. PATENT DOCUMENTS
5,531,353 A * 7/1996 Ward A47G 19/2227
220/23.86
D379,738 S * 6/1997 Liming D7/510



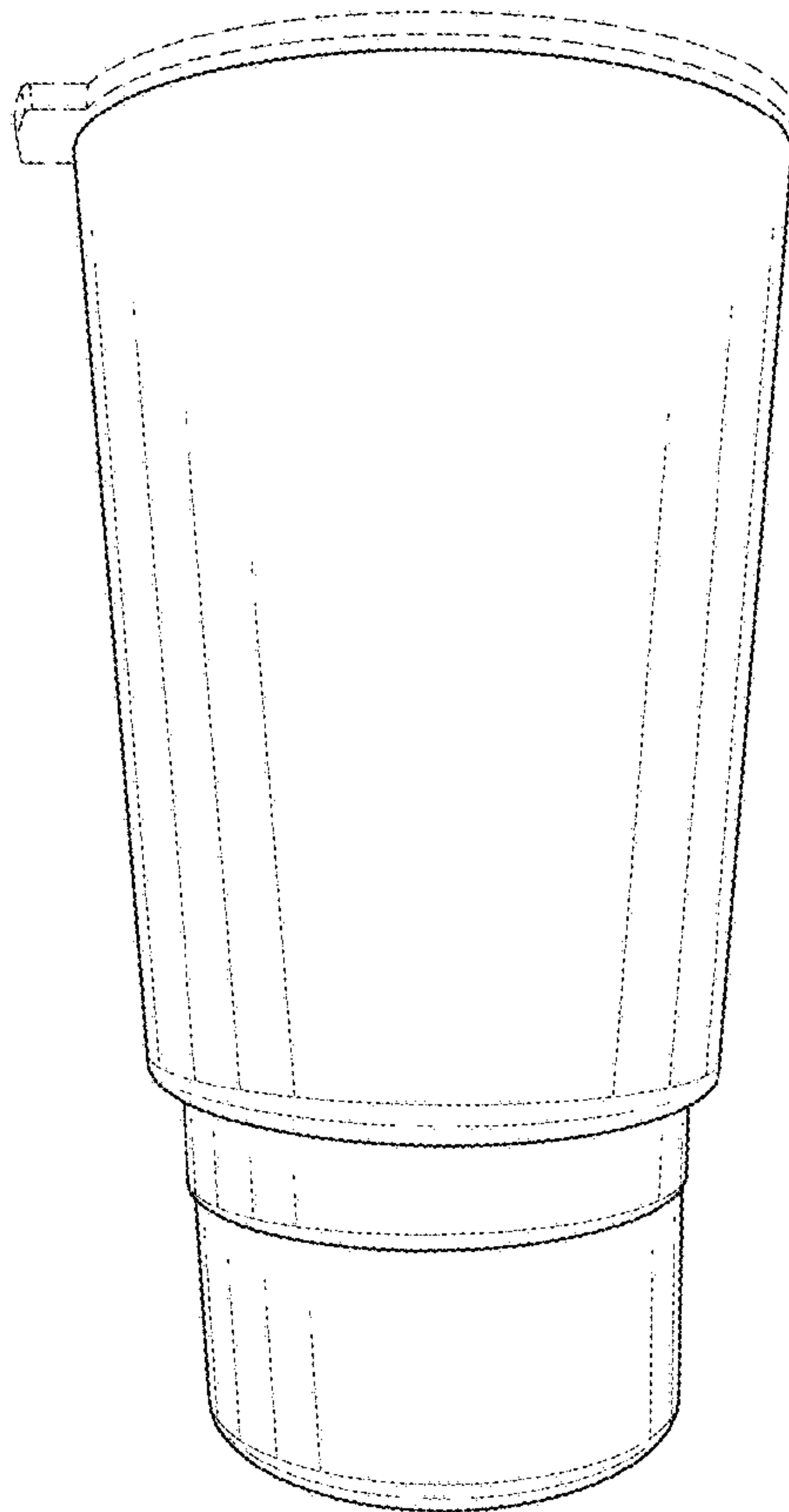


FIG. 1

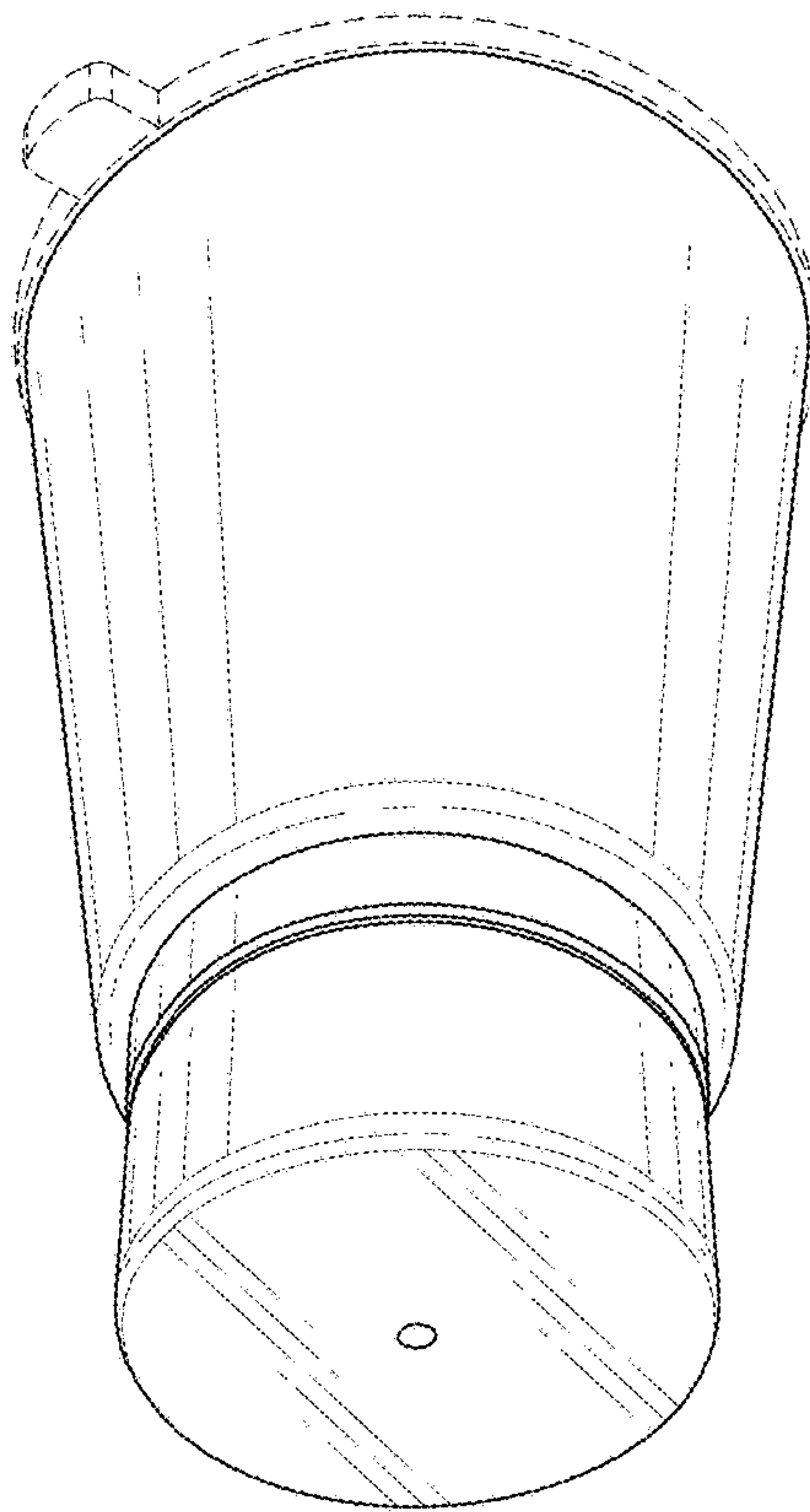


FIG. 2

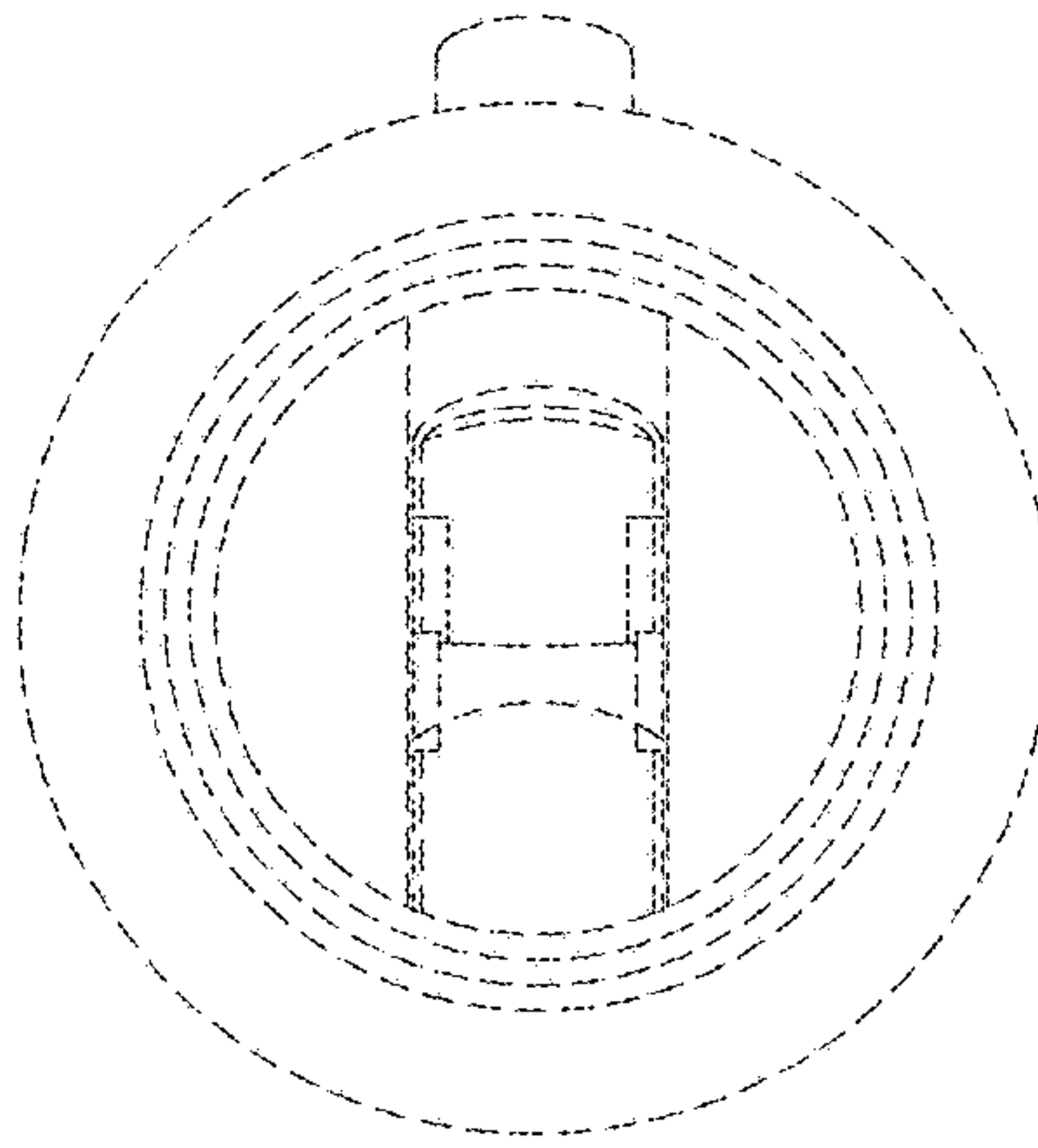


FIG. 3

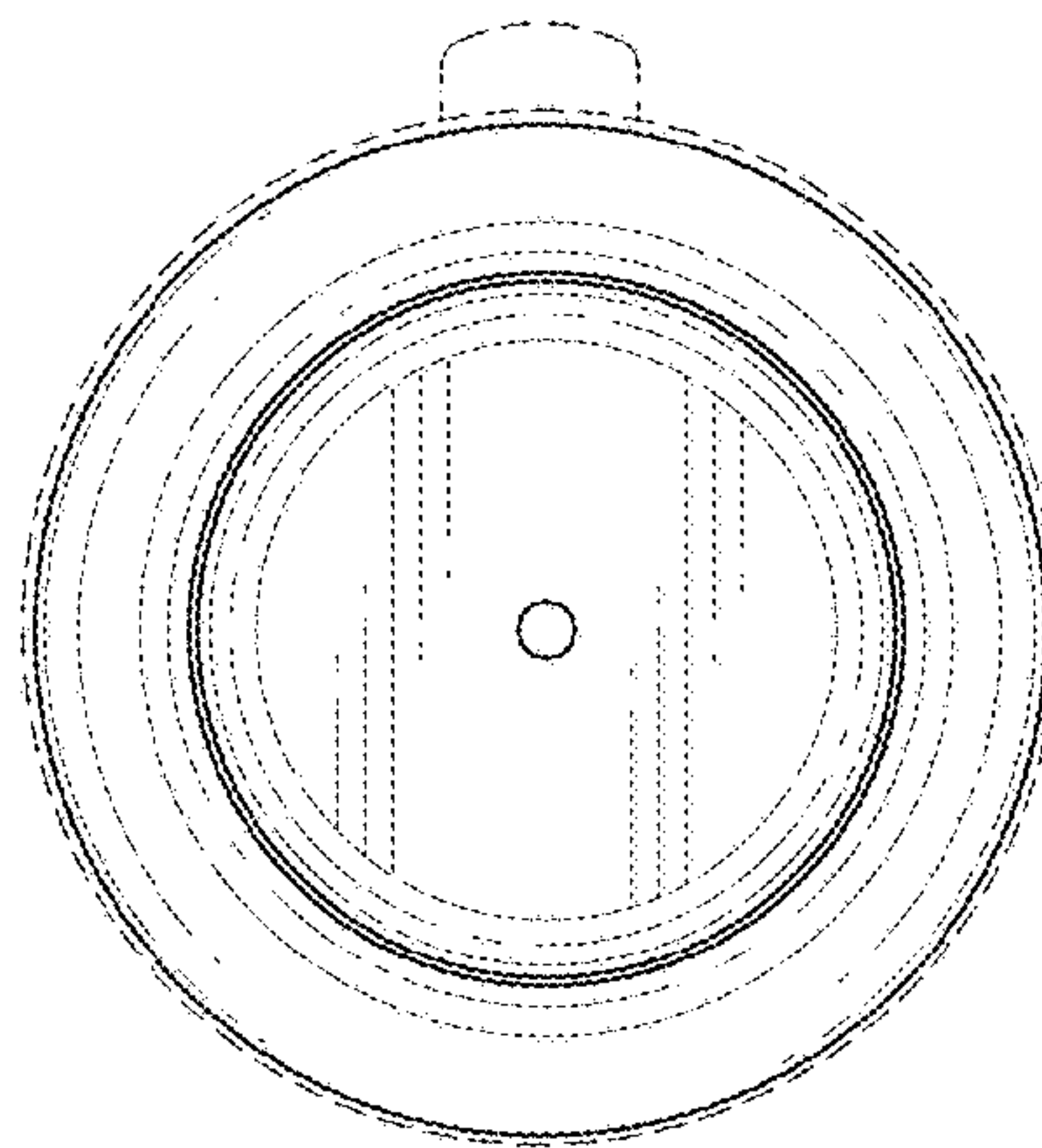


FIG. 4

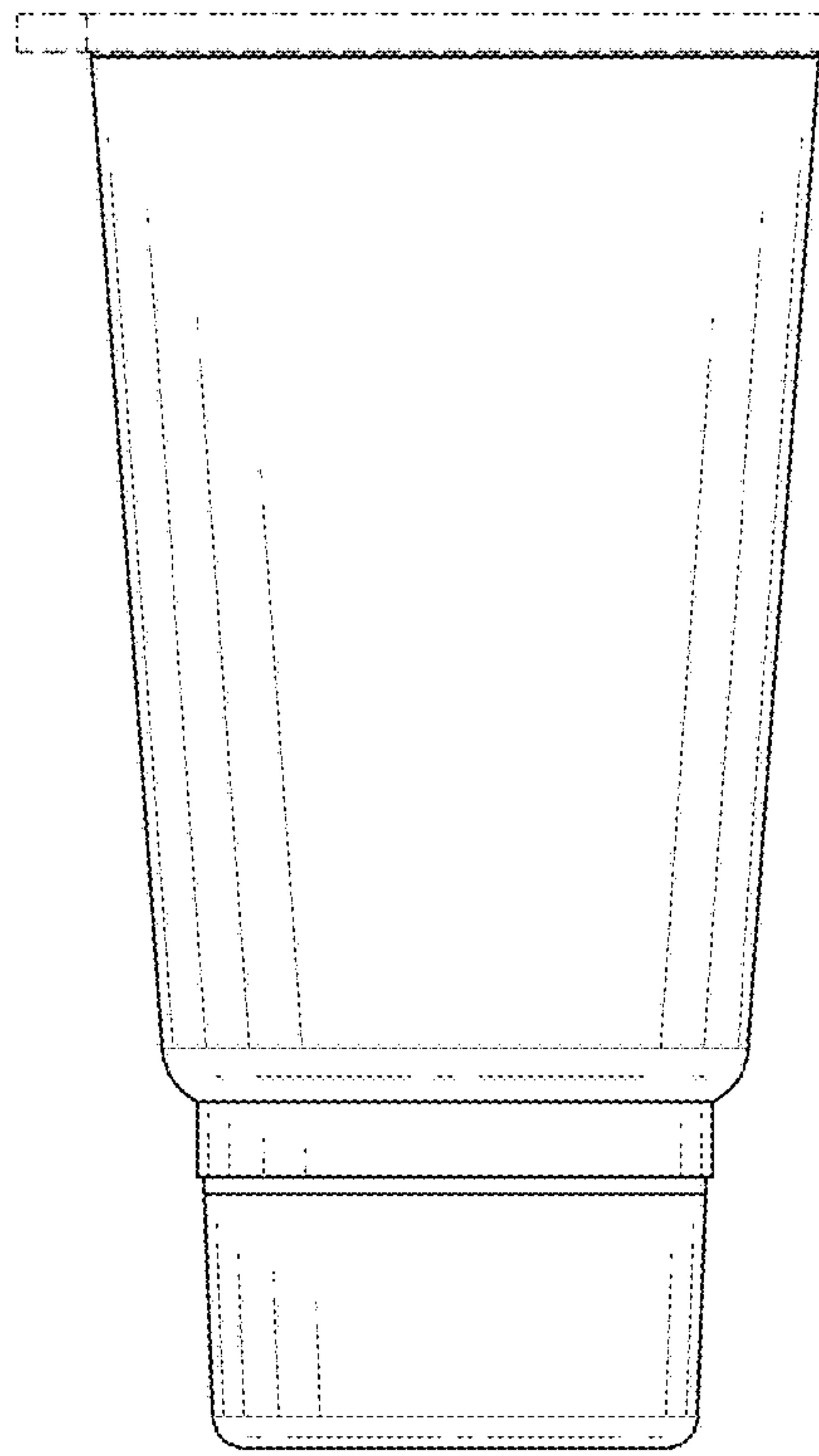


FIG. 5

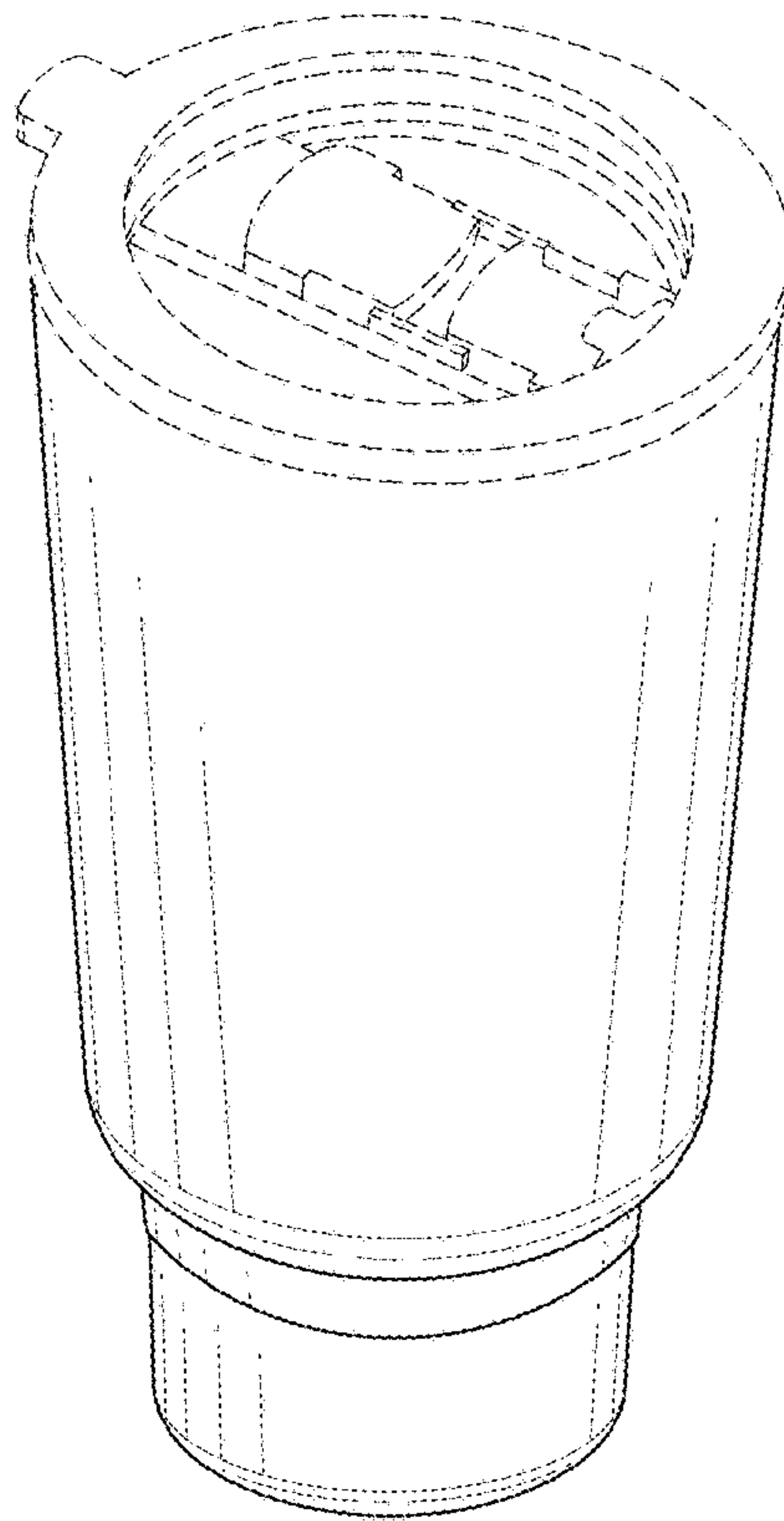


FIG. 6

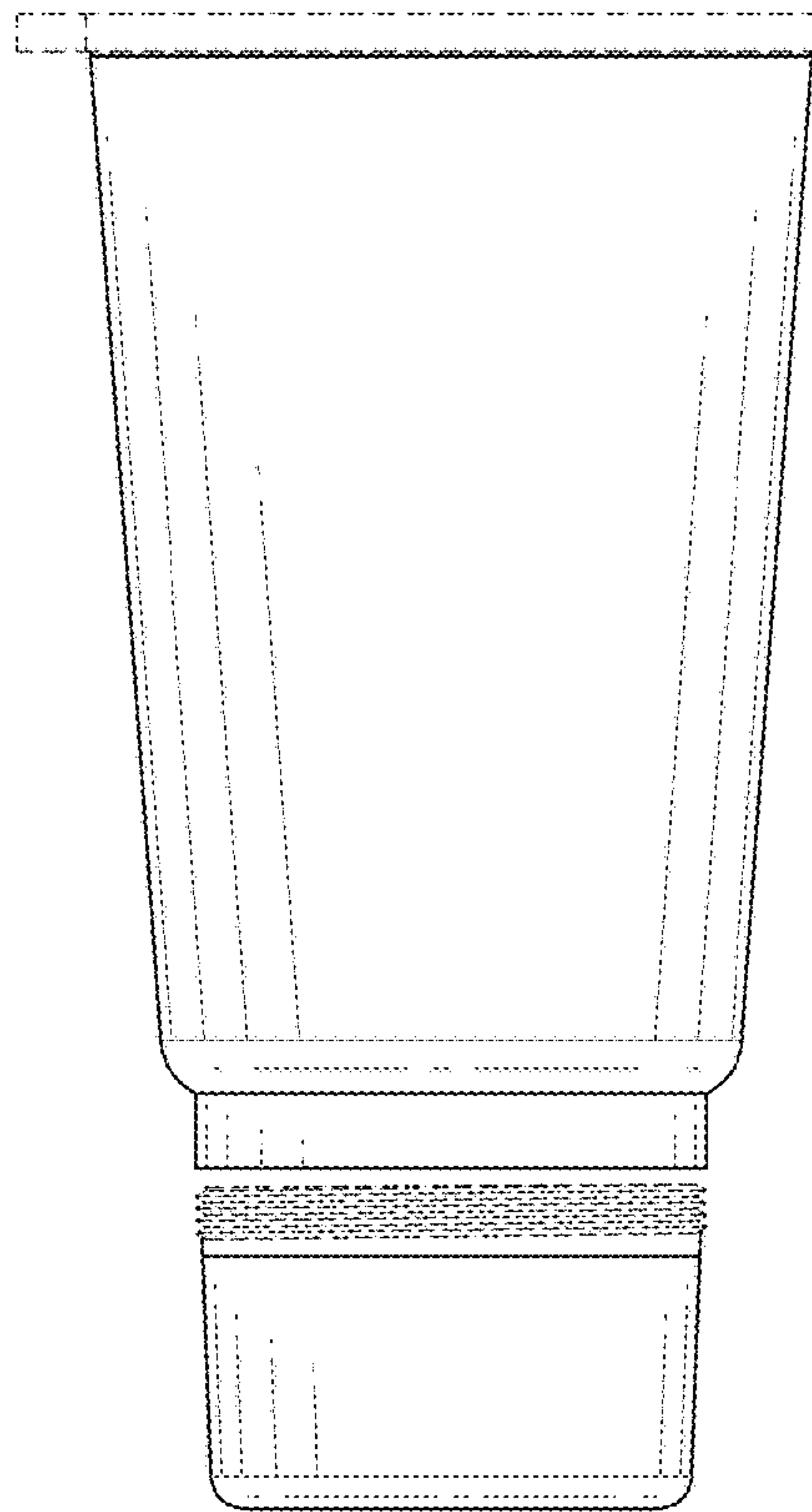


FIG. 7