

US00D872536S

(12) **United States Design Patent**
Lane et al.

(10) **Patent No.:** **US D872,536 S**
(45) **Date of Patent:** **** Jan. 14, 2020**

- (54) **BEVERAGE CONTAINER**
- (71) Applicants: **Marvin Lane**, Wheeling, IL (US);
Dwayne Boroski, Lake in the Hills, IL (US); **Jennifer Bae Park**, Chicago, IL (US)
- (72) Inventors: **Marvin Lane**, Wheeling, IL (US);
Dwayne Boroski, Lake in the Hills, IL (US); **Jennifer Bae Park**, Chicago, IL (US)

D488,961 S *	4/2004	Moran	D7/608
7,954,666 B2 *	6/2011	Webster	B67D 1/02 222/156
D702,505 S *	4/2014	Nakatani	D7/605
D710,653 S *	8/2014	Goto	D7/608
D715,098 S *	10/2014	Johnson	D7/396.2
D782,880 S *	4/2017	Matsuo	D7/605
D797,513 S *	9/2017	Matsuo	D7/533
D818,774 S *	5/2018	Stover	D7/510
2015/0173539 A1 *	6/2015	Mason	A47G 19/2272 220/707

* cited by examiner

(73) Assignee: **Thermos L.L.C.**, Schaumburg, IL (US)

Primary Examiner — Derrick E Holland

(**) Term: **15 Years**

Assistant Examiner — Andrew Kerr

(21) Appl. No.: **29/643,668**

(74) *Attorney, Agent, or Firm* — Polsinelli PC

(22) Filed: **Apr. 10, 2018**

(51) **LOC (12) Cl.** **07-01**

(52) **U.S. Cl.**

USPC **D7/511**; D9/516; D9/523

(58) **Field of Classification Search**

USPC D7/312–314, 396.2, 397, 507, 509–511,
D7/538, 601, 602, 619.1; D9/516, 434,
D9/447, 549, 455, 523

CPC A47G 19/2266; A47G 19/2272; A47G
19/22; B65D 25/40; B65D 41/04; B65D
25/42; B65D 41/0485

See application file for complete search history.

(56) **References Cited**

U.S. PATENT DOCUMENTS

D370,153 S *	5/1996	Chaney	D7/503
D480,268 S *	10/2003	Laib	D7/510

(57) **CLAIM**

The ornamental design for a beverage container, as shown and described.

DESCRIPTION

FIG. 1 is a perspective view of a beverage container showing our new design;

FIG. 2 is a front view of the beverage container;

FIG. 3 is a rear view of the beverage container;

FIG. 4 is a right side view of the beverage container;

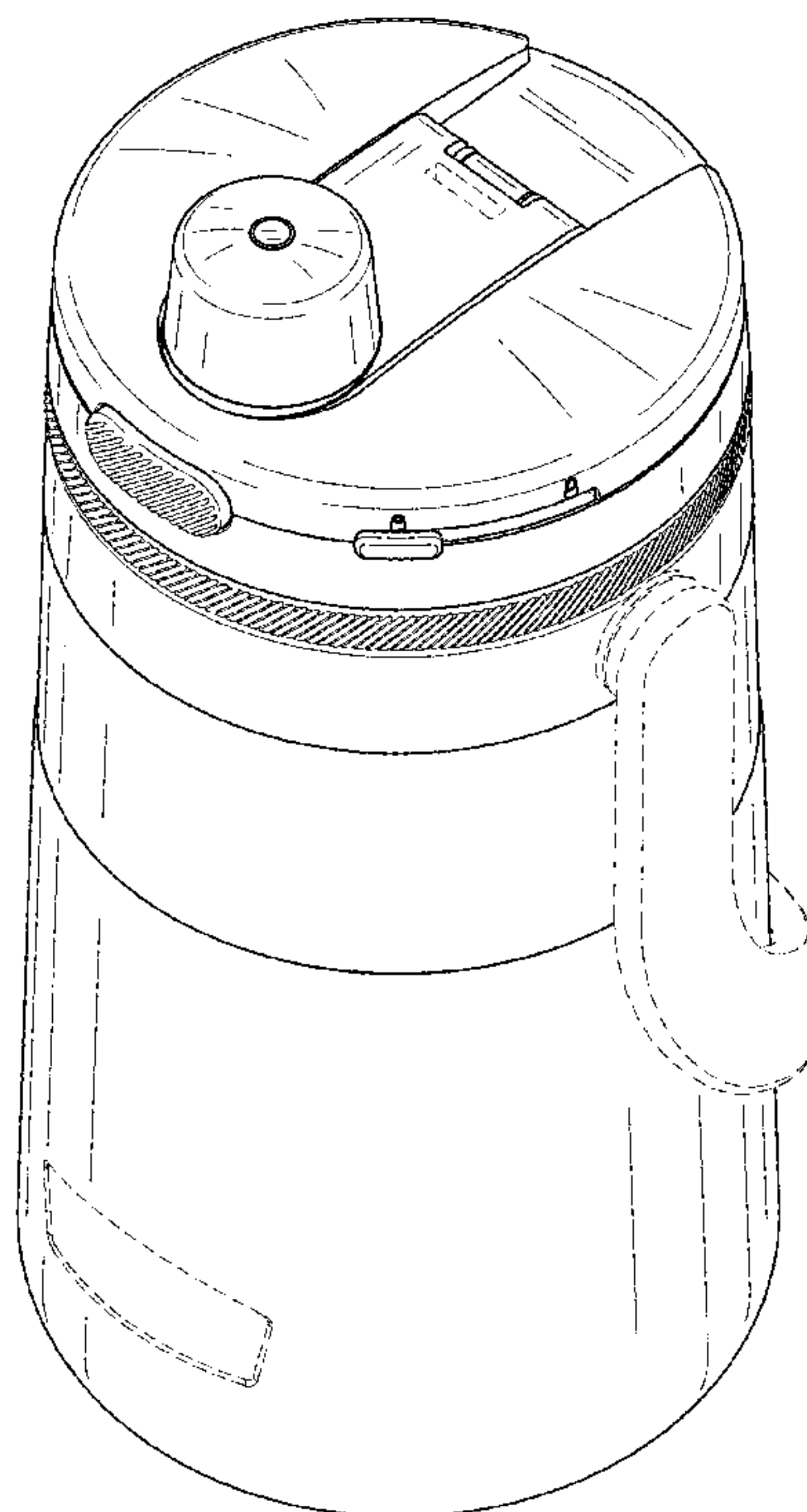
FIG. 5 is a left side view of the beverage container;

FIG. 6 is a top view of the beverage container; and,

FIG. 7 is a bottom view of the beverage container.

The broken lines showing in the figures are included for the purpose of illustrating portions of the beverage container that form no part of the claimed design. The dash-dot lines showing in the figures are included for defining the bounds of the claimed design that form no part thereof.

1 Claim, 6 Drawing Sheets



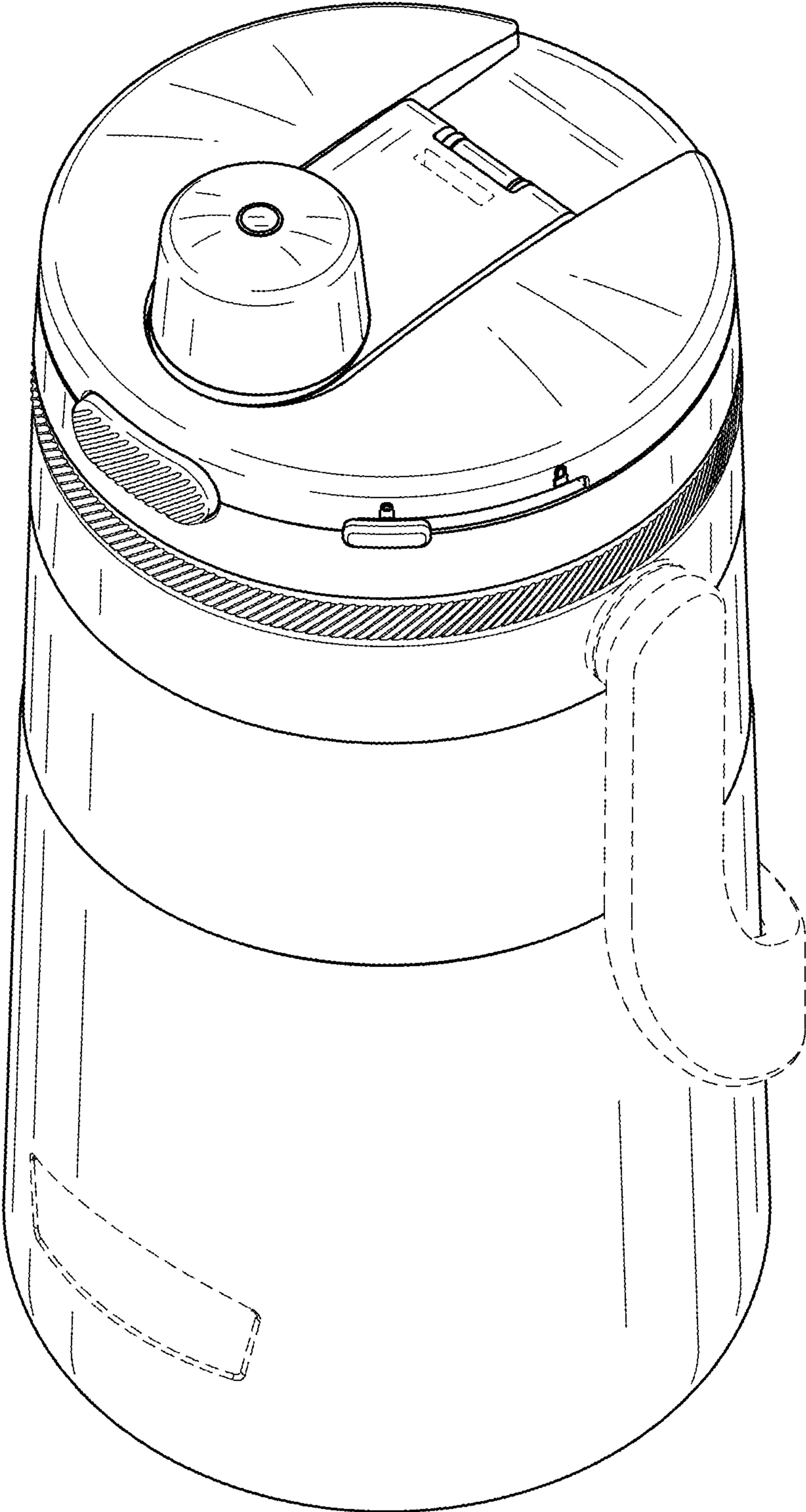


FIG. 1

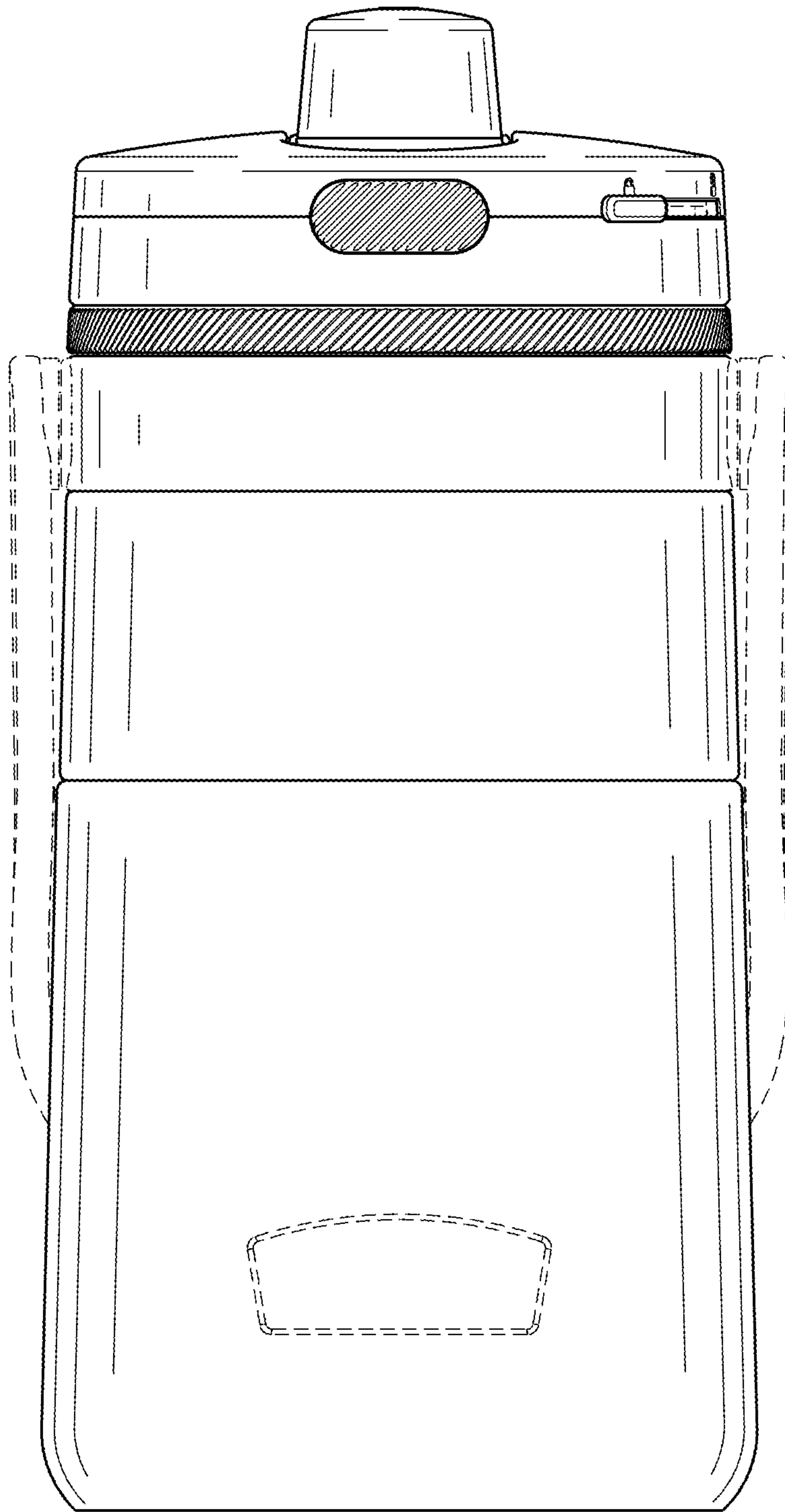


FIG. 2

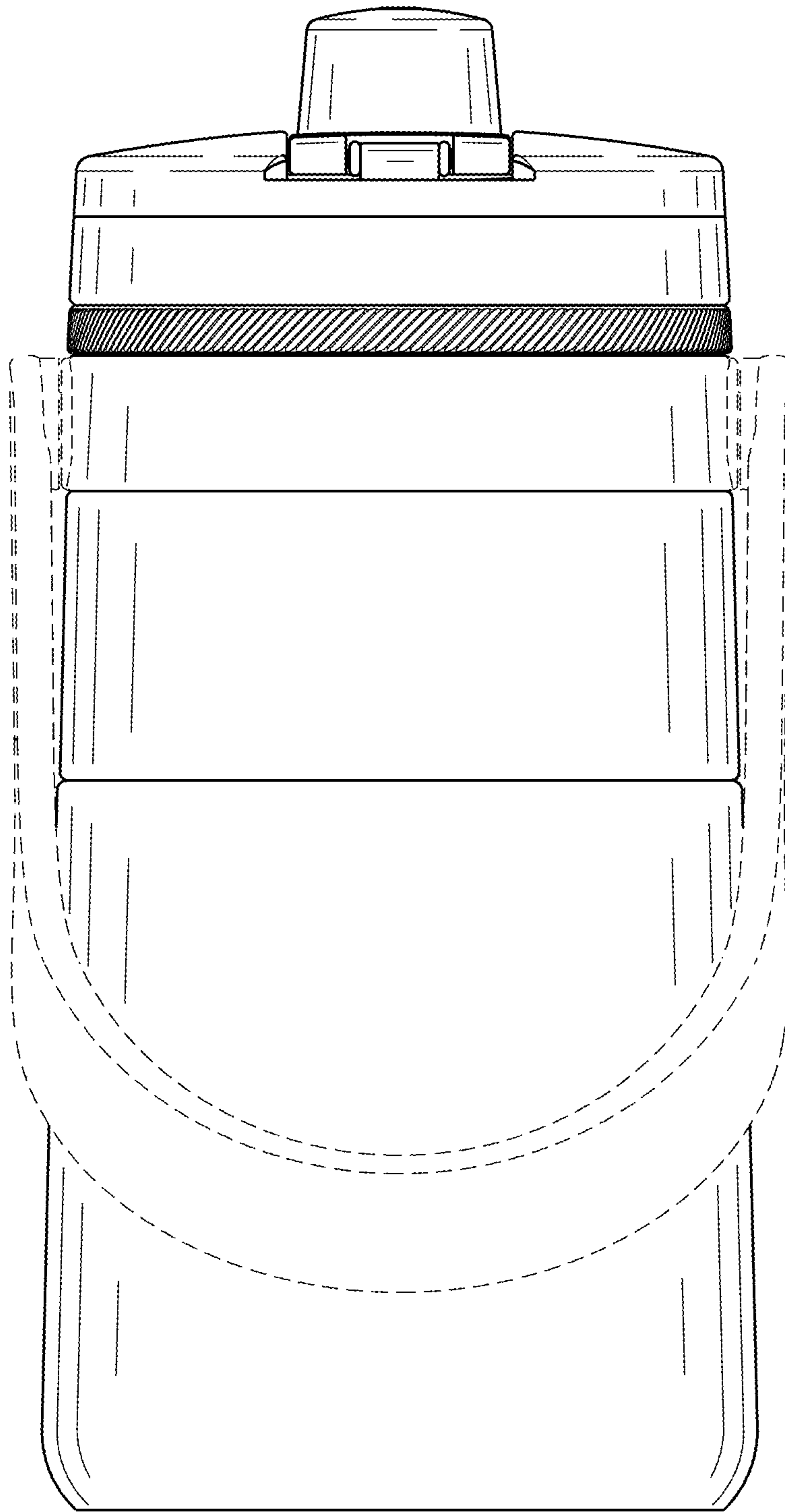


FIG. 3

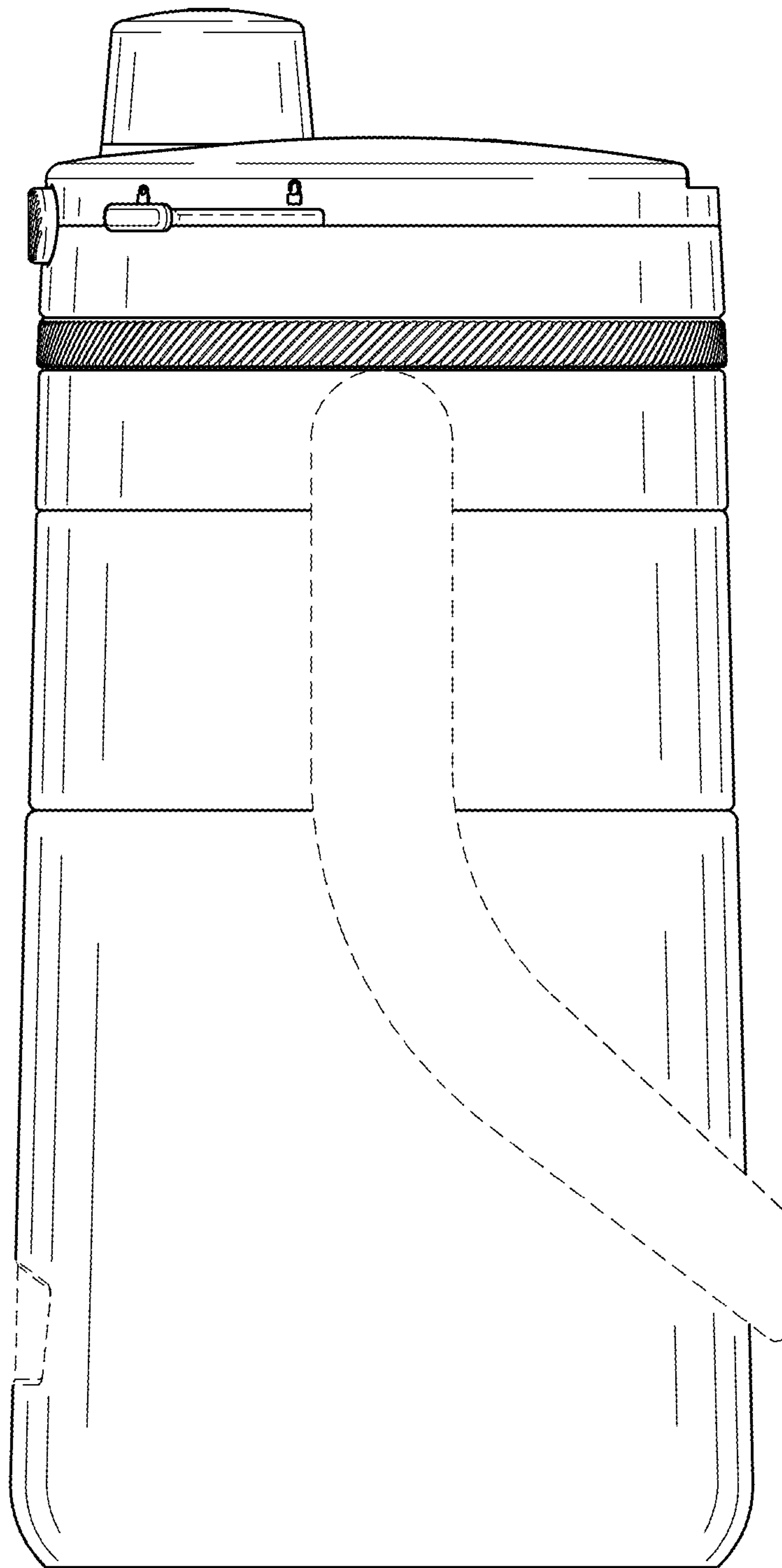


FIG. 4

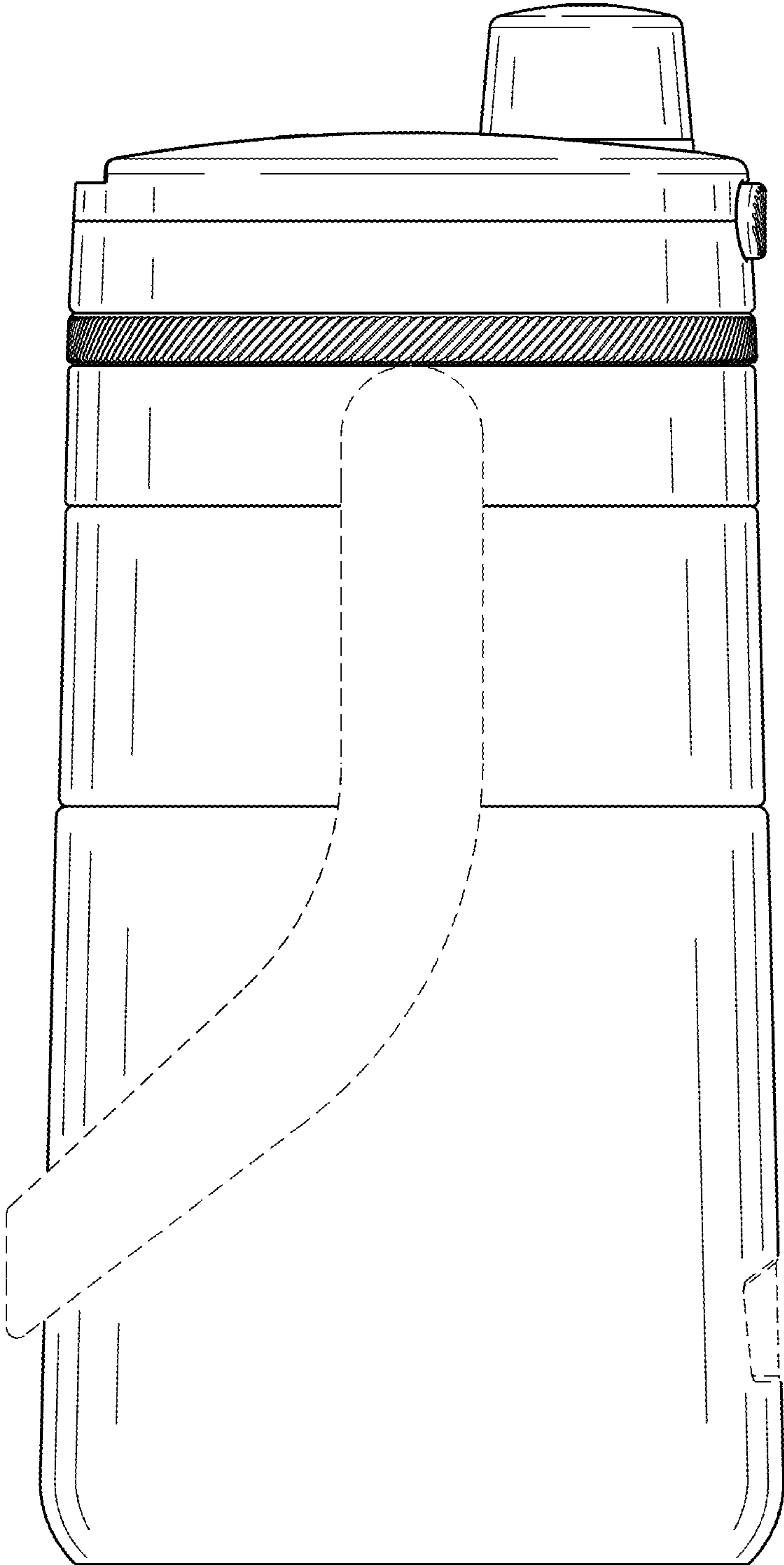


FIG. 5

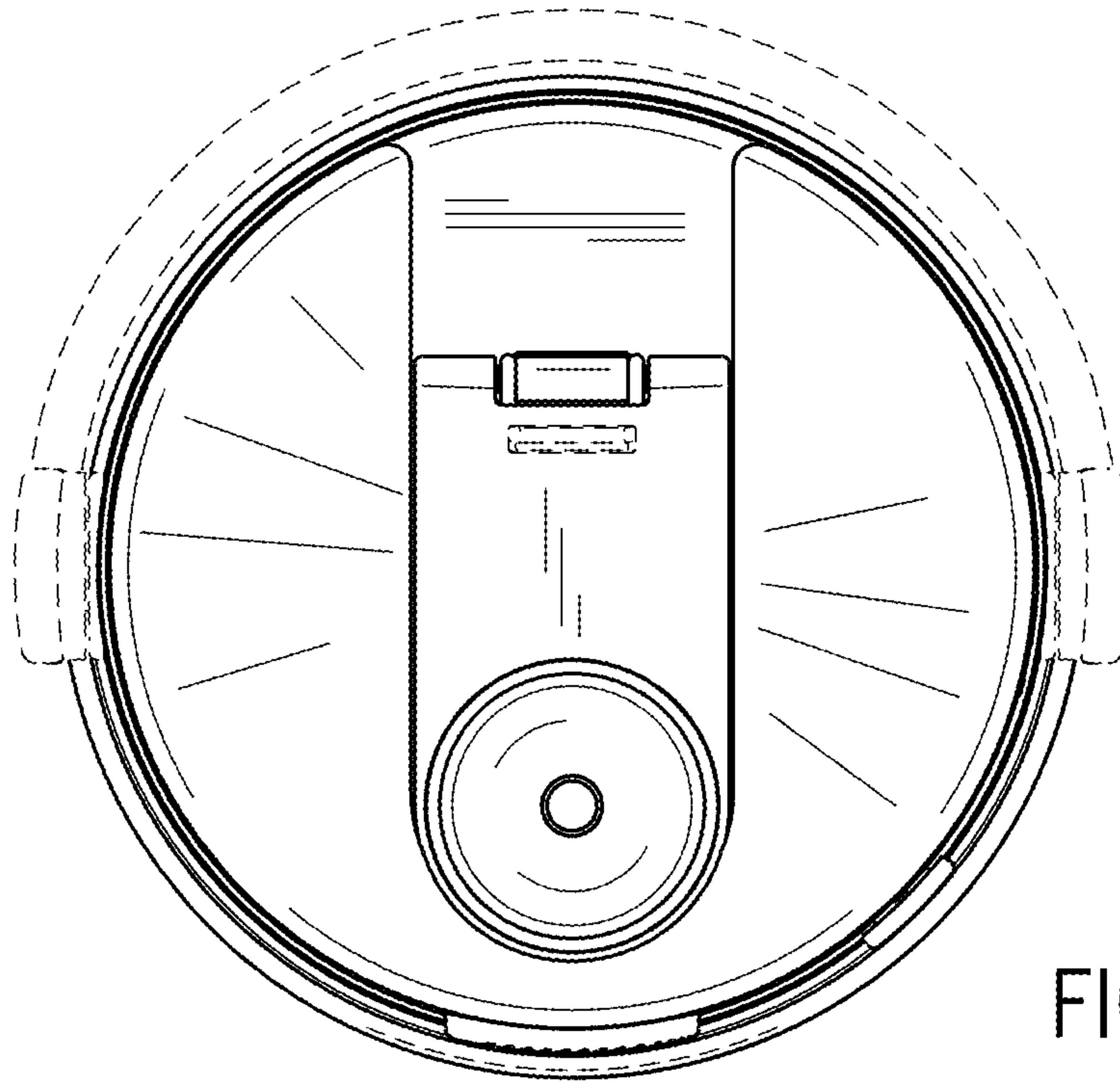


FIG. 6

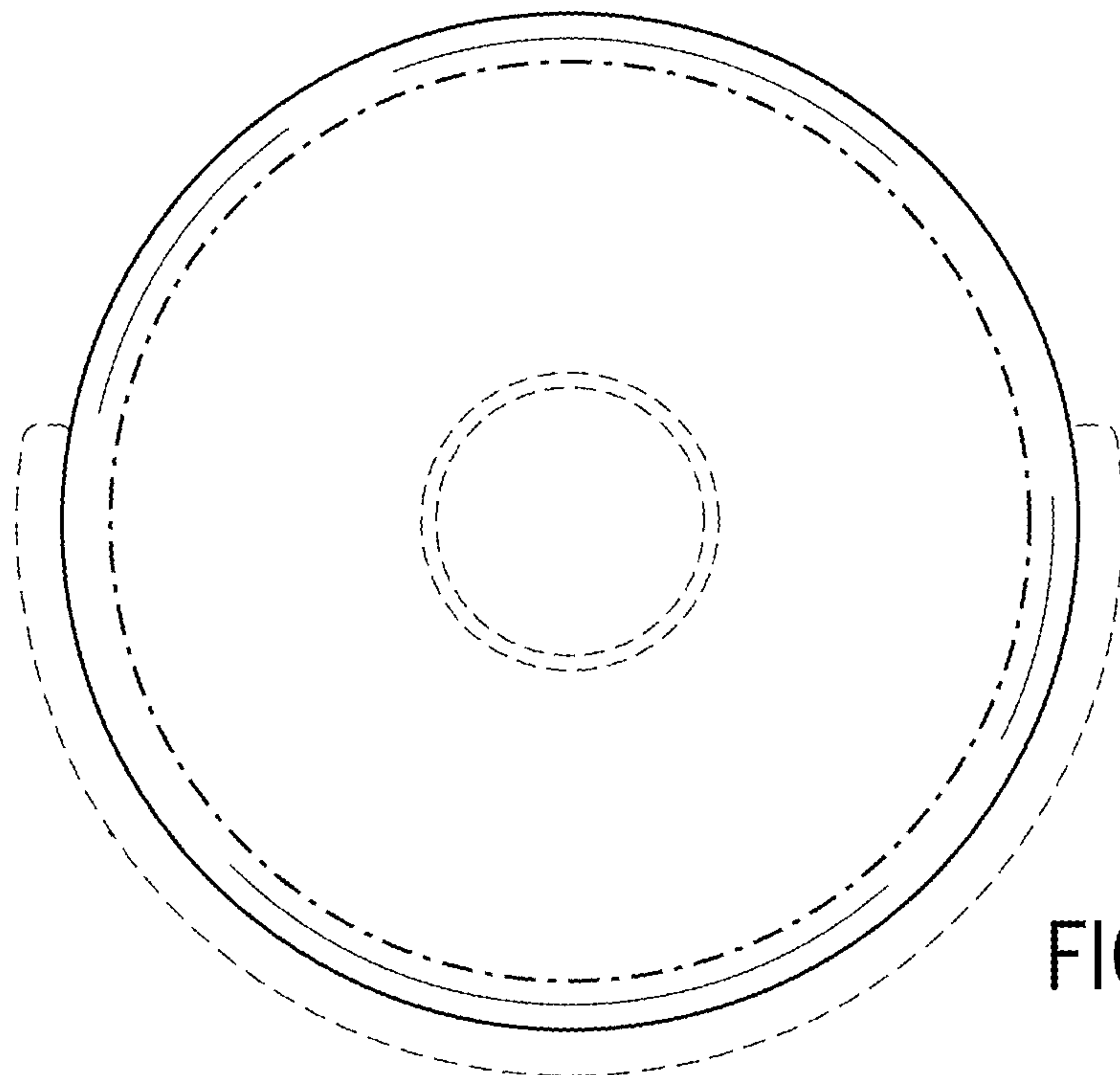


FIG. 7