



US00D872535S

(12) **United States Design Patent** (10) **Patent No.:** **US D872,535 S**  
**Eyal** (45) **Date of Patent:** **\*\* Jan. 14, 2020**

(54) **BEVERAGE CONTAINER**  
(71) Applicant: **ETS EXPRESS, INC.**, Oxnard, CA (US)  
(72) Inventor: **Sharon Eyal**, Oxnard, CA (US)  
(73) Assignee: **ETS EXPRESS, INC.**, Oxnard, CA (US)  
(\*\*) Term: **15 Years**  
(21) Appl. No.: **29/654,699**  
(22) Filed: **Jun. 26, 2018**  
(51) **LOC (12) Cl.** ..... **07-01**  
(52) **U.S. Cl.**  
USPC ..... **D7/510; D7/511; D7/536**  
(58) **Field of Classification Search**  
USPC ..... D7/387, 392.1, 396.2, 393, 394, 397, D7/398, 213, 900, 507, 523, 532, 510, D7/511, 529, 533, 536, 534, 524, 537, D7/514, 515, 522, 412, 376, 309, 317, D7/305, 665, 300.1, 300.2; D9/435, 436, D9/443, 442, 444, 449, 450, 437, 447; D24/197  
CPC ..... A47G 19/2205; A47G 19/22; A47J 43/27; A47J 41/02; A47J 41/0077; A47J 41/0088; A47J 41/028; A47J 31/407; A47J 31/40; A45F 3/16; B65D 85/804; B65D 41/04  
See application file for complete search history.

(56) **References Cited**  
U.S. PATENT DOCUMENTS  
D611,765 S \* 3/2010 George ..... D7/510  
D660,082 S \* 5/2012 Wahl ..... D7/510  
D724,896 S \* 3/2015 Williams ..... D7/511  
D727,685 S \* 4/2015 He ..... D7/510

D741,656 S \* 10/2015 Tello ..... B42D 25/22 D7/510  
D762,117 S \* 7/2016 Joseph ..... D7/387  
D774,826 S \* 12/2016 Boroski ..... D7/510  
D787,939 S \* 5/2017 Lam ..... D9/503  
D790,912 S \* 7/2017 Joseph ..... D7/391  
D806,465 S \* 1/2018 Boroski ..... D7/391  
D809,384 S \* 2/2018 Best ..... D9/443  
D815,908 S \* 4/2018 Kauss ..... D7/511  
D828,723 S \* 9/2018 Gauss ..... D7/510  
D830,128 S \* 10/2018 Rohe ..... D7/531  
D831,426 S \* 10/2018 Best ..... D7/511  
D832,031 S \* 10/2018 Washburn ..... D7/392.1  
D839,673 S \* 2/2019 Meyers ..... D7/510  
D851,446 S \* 6/2019 Lindsay ..... D7/392.1  
2015/0034584 A1 \* 2/2015 Renner ..... B29C 49/08 215/43  
2018/0215506 A1 \* 8/2018 Burns ..... B65D 1/0246

\* cited by examiner

*Primary Examiner* — Jae Liang  
(74) *Attorney, Agent, or Firm* — Kleinberg & Lerner, LLP; Marvin H. Kleinberg; Marshall A. Lerner

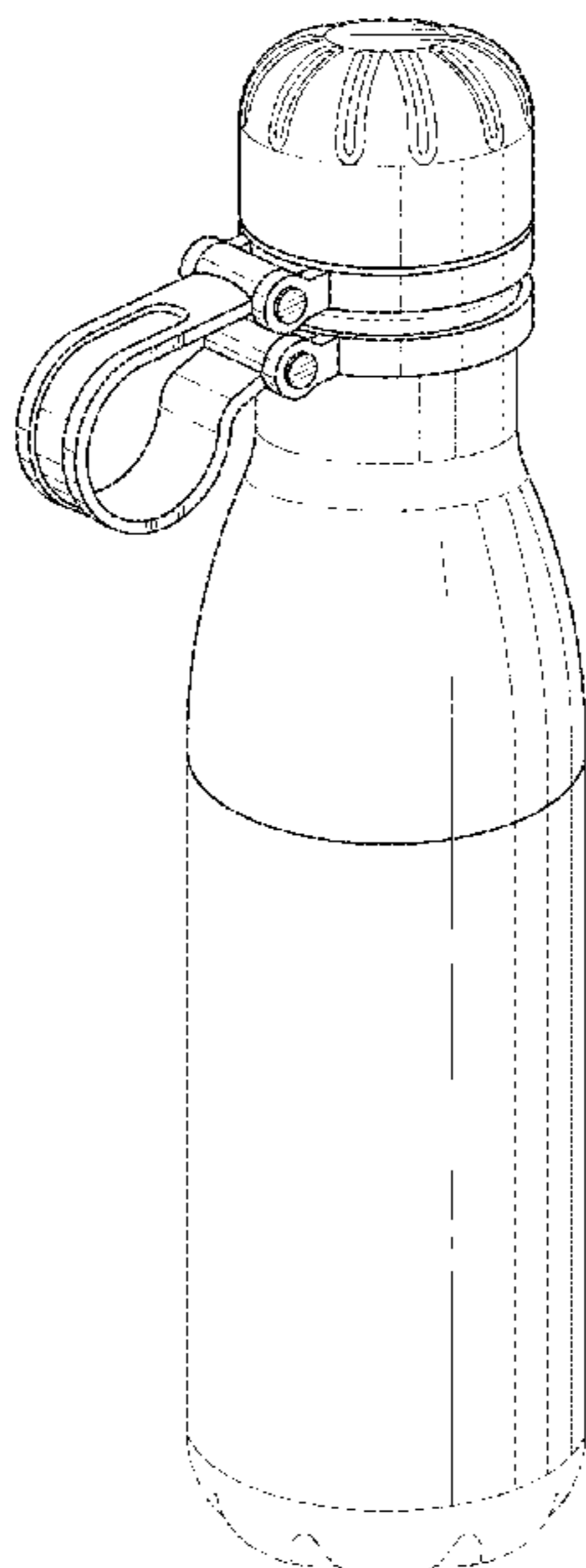
(57) **CLAIM**

The ornamental design for a beverage container, as shown and described.

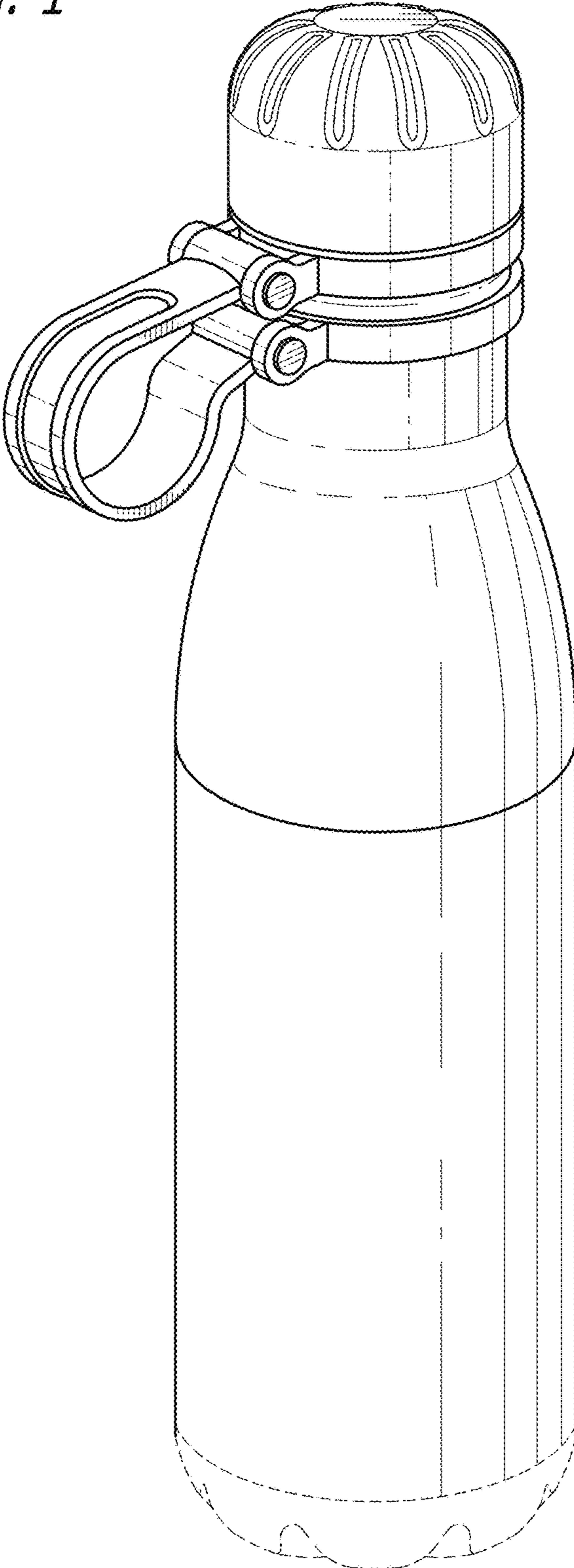
**DESCRIPTION**

FIG. 1 is a perspective view of a beverage container showing my new design;  
FIG. 2 is a front view;  
FIG. 3 is a right side view;  
FIG. 4 is a rear view;  
FIG. 5 is a left side view;  
FIG. 6 is a top plan view thereof; and,  
FIG. 7 is a bottom plan view thereof.  
The broken lines represent portions of the beverage container that form no part of the claim.

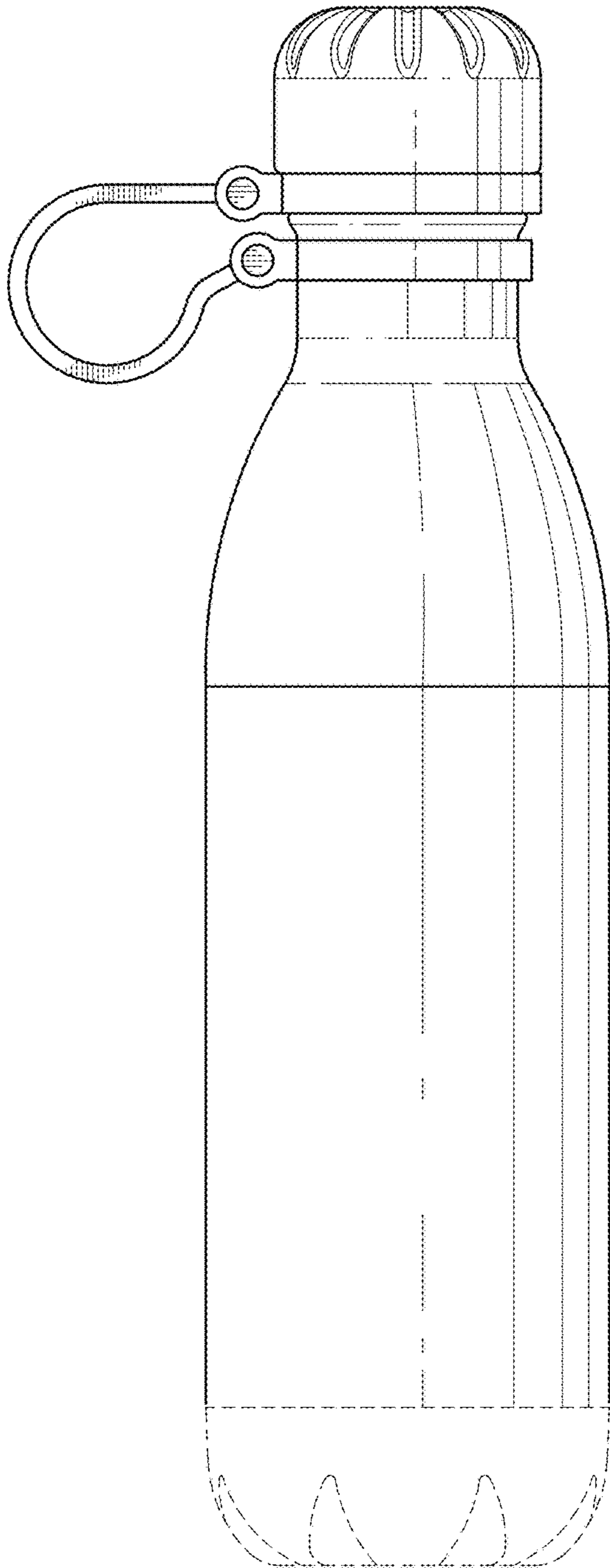
**1 Claim, 4 Drawing Sheets**



*FIG. 1*



*FIG. 2*



*FIG. 3*

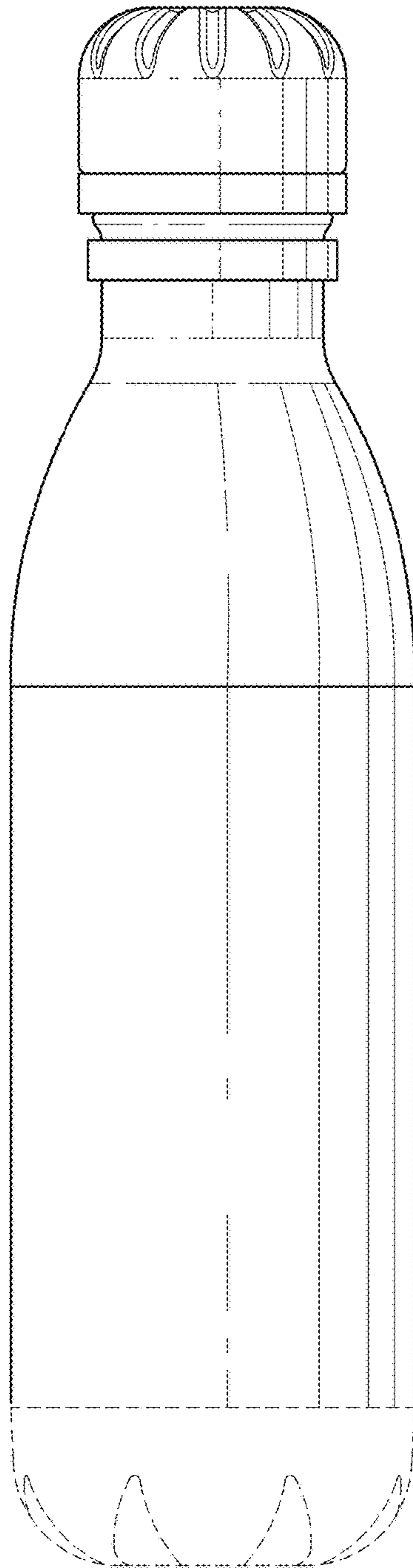


FIG. 4

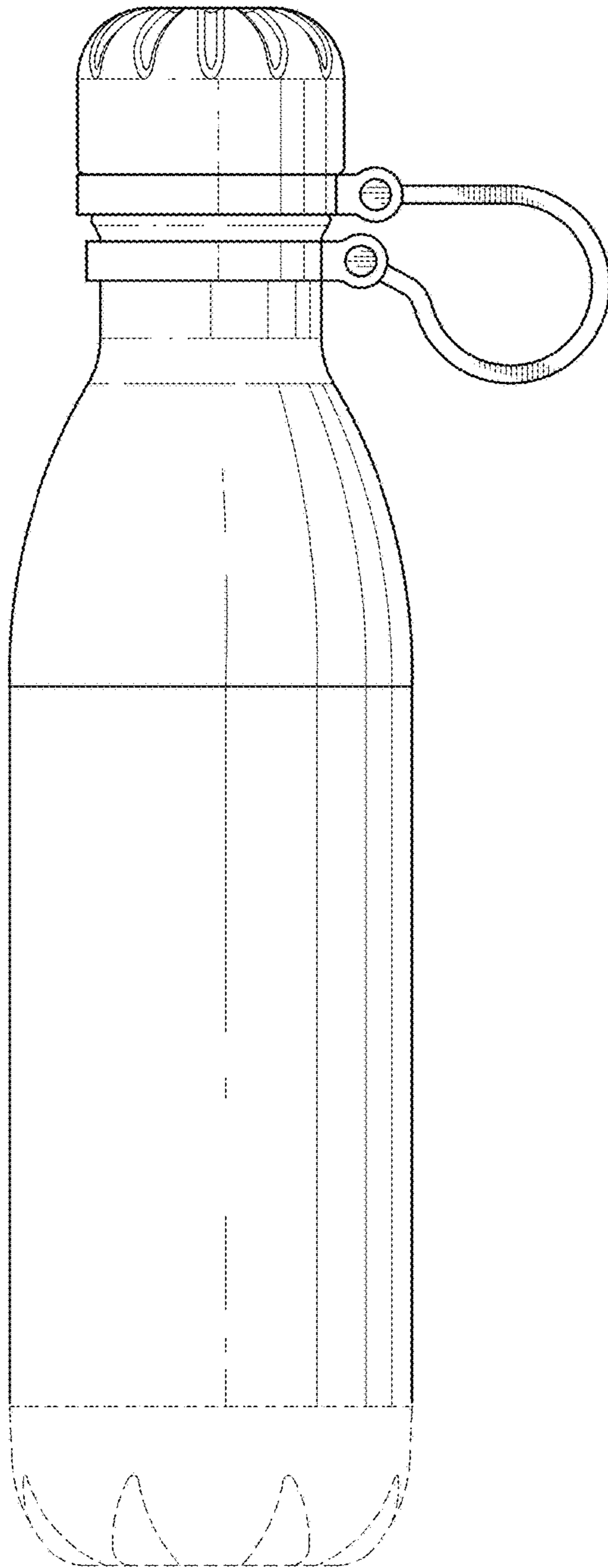
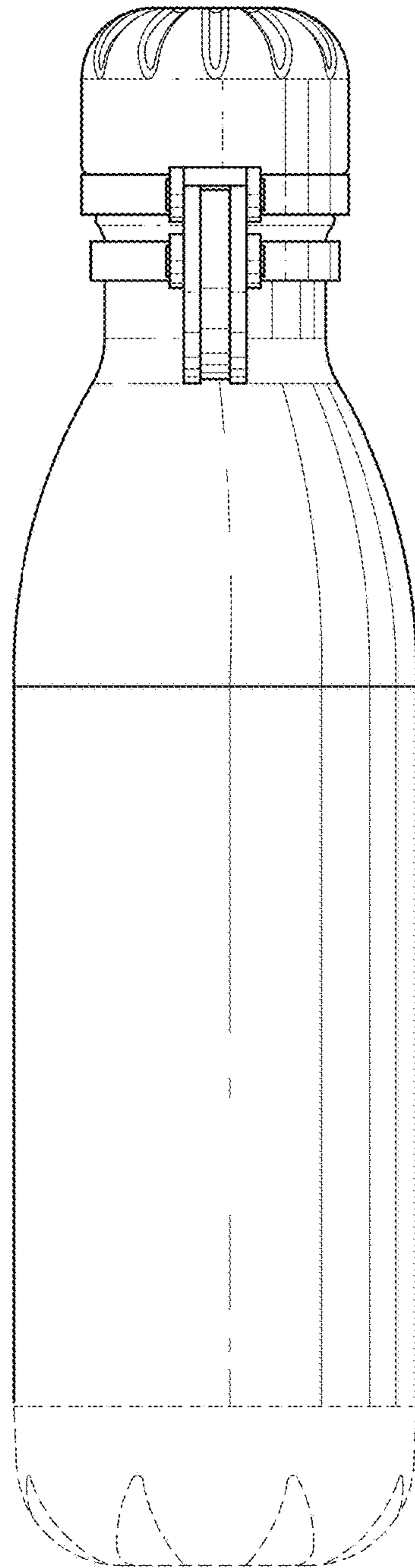
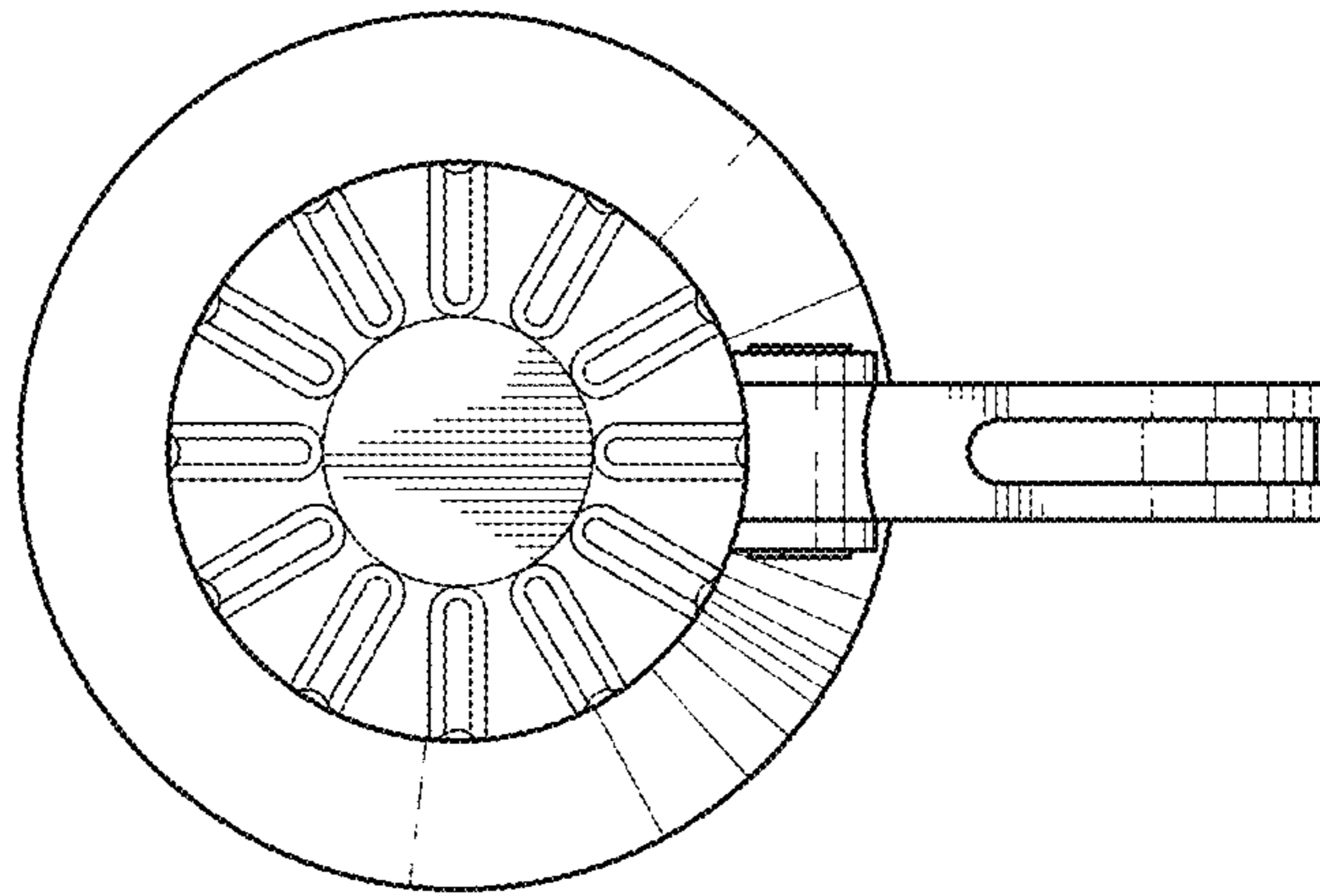
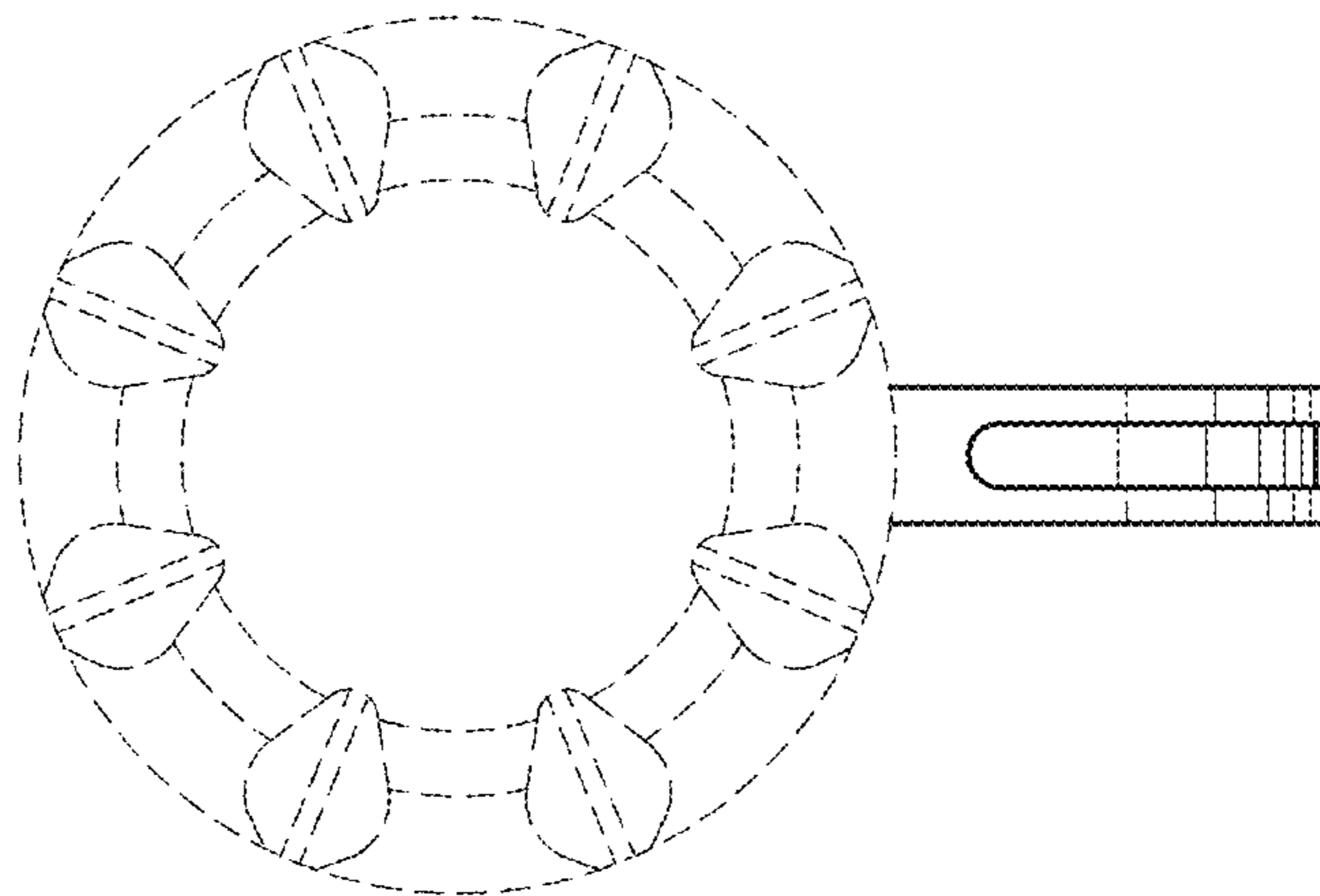


FIG. 5





*FIG. 6*



*FIG. 7*