



US00D872534S

(12) **United States Design Patent**
Peng

(10) **Patent No.:** **US D872,534 S**

(45) **Date of Patent:** **** Jan. 14, 2020**

- (54) **GYM WATER BOTTLE**
- (71) Applicant: **SHENZHEN TOOFEEL PLASTIC & HARDWARE CO., LTD**, Shenzhen (CN)
- (72) Inventor: **Guo Peng**, Shenzhen (CN)
- (73) Assignee: **SHENZHEN TOOFEEL PLASTIC & HARDWARE CO., LTD.**, Shenzhen (CN)
- (**) Term: **15 Years**
- (21) Appl. No.: **29/630,717**
- (22) Filed: **Dec. 22, 2017**
- (51) **LOC (12) Cl.** **07-01**
- (52) **U.S. Cl.**
USPC **D7/510; D7/511; D7/532; D9/531**
- (58) **Field of Classification Search**
USPC D7/507, 509, 510, 511, 523, 532, 608, D7/300.1, 213, 392.1, 396.2, 387, 388, D7/396.6, 624.1, 624.2, 529, 396.4, 533, D7/536, 601; 220/529.16, 529.17; D11/152, 153, 143, 144; D3/202; D14/485; D9/531, 503, 504; D10/46.2
CPC A47G 19/2205; A47G 19/2272; A47G 2019/2277; A47J 43/27; A47J 41/02; A45F 3/16; A45F 3/20; A45F 2003/205
See application file for complete search history.

- D419,885 S * 2/2000 Gonzalez C. D9/531
- D430,038 S * 8/2000 Young D9/549
- D433,636 S * 11/2000 Gonzalez C. D9/531
- D459,942 S * 7/2002 Miller D7/394
- 6,446,830 B1 * 9/2002 Ocic A47G 19/2205
220/752
- D471,457 S * 3/2003 Deichler D9/502
- D474,692 S * 5/2003 Yu D9/531
- D487,701 S * 3/2004 Thibodeau D9/531
- 6,910,596 B2 * 6/2005 Herckner B29C 49/04
215/398
- D512,874 S * 12/2005 Poulson D7/510
- D529,338 S * 10/2006 Poulson D7/510
- D531,512 S * 11/2006 Yu D9/531
- D555,978 S * 11/2007 Falkenstein D7/510
- D563,791 S * 3/2008 Kleckauskas D9/531
- D646,045 S * 9/2011 Stamper D99/35
- D650,629 S * 12/2011 Gilbert D7/392.1
- D651,854 S * 1/2012 Cabados D7/510
- D719,028 S * 12/2014 Tiet D9/531
- D726,018 S * 4/2015 Archer D9/446
- D750,434 S * 3/2016 Kirkpatrick D7/510

(Continued)

Primary Examiner — Jae Liang
(74) Attorney, Agent, or Firm — Oliff PLC

(57) **CLAIM**

The ornamental design for a gym water bottle, as shown and described.

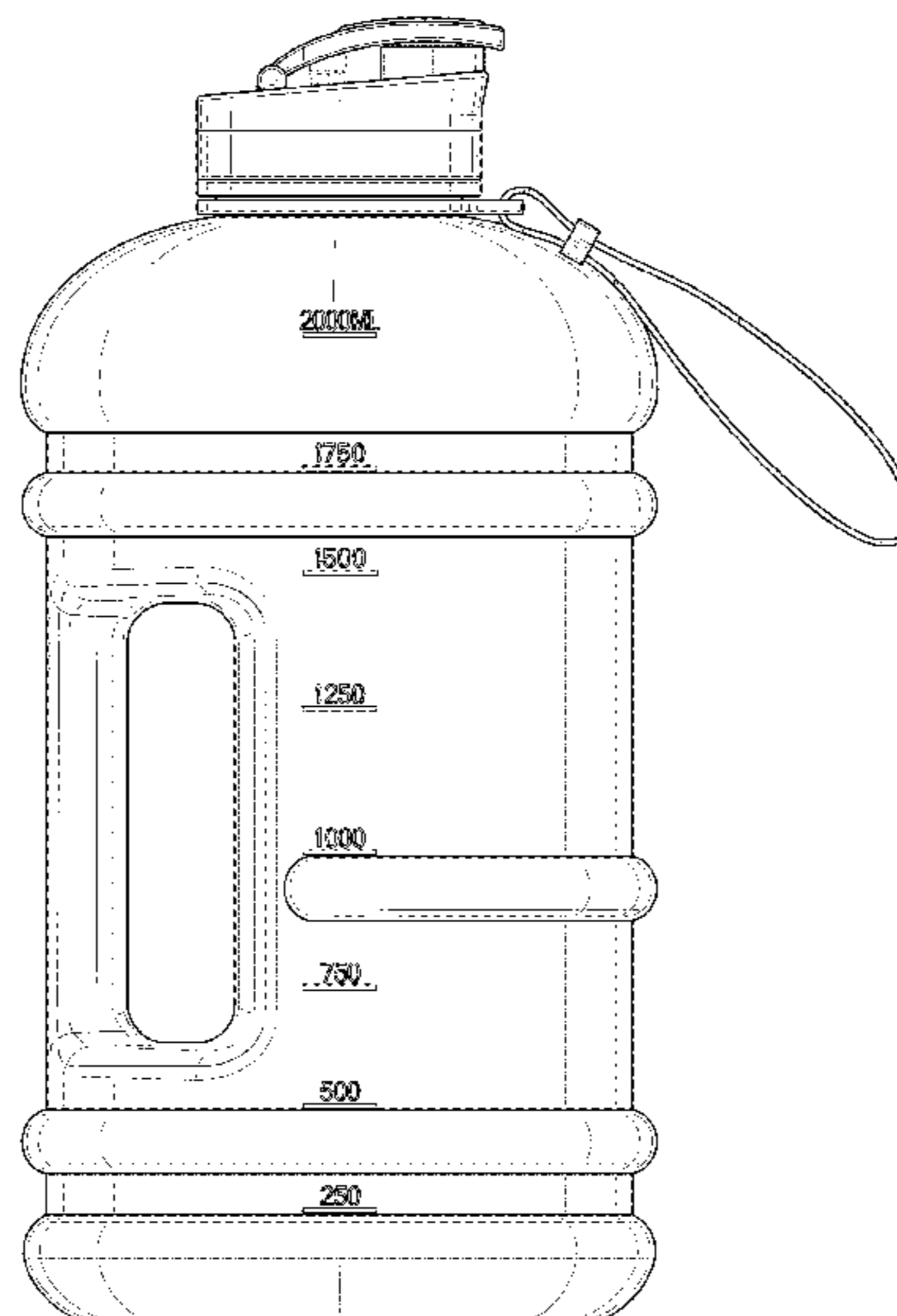
DESCRIPTION

FIG. 1 is a front, left-side, bottom perspective view of a gym water bottle showing my new design; FIG. 2 is a left-side elevational view thereof; FIG. 3 is a top plan view thereof; FIG. 4 is a rear elevational view thereof; FIG. 5 is a front elevational view thereof; FIG. 6 is a right-side elevational view thereof; and, FIG. 7 is a bottom plan view thereof. The broken lines depict unclaimed parts of the bottle, and thus form no part of the claimed design.

1 Claim, 7 Drawing Sheets

(56) **References Cited**
U.S. PATENT DOCUMENTS

- D326,608 S * 6/1992 Frahm D9/500
- D326,609 S * 6/1992 Stenger D9/502
- D334,345 S * 3/1993 Wright D9/553
- D361,039 S * 8/1995 Rokus D9/531
- D397,942 S * 9/1998 Lewis D9/531
- D411,802 S * 7/1999 Hestehave D9/500



(56)

References Cited

U.S. PATENT DOCUMENTS

9,457,934	B1 *	10/2016	Kirkpatrick	A47G 19/2266
D782,877	S *	4/2017	Cetera	D7/510
D786,619	S *	5/2017	Joseph	D7/510
D791,542	S *	7/2017	Miksovsky	D7/510
D793,164	S *	8/2017	Charlton	D7/510
D795,646	S *	8/2017	Sorensen	D7/511
D799,269	S *	10/2017	Vargo	D7/510
D805,846	S *	12/2017	Kirkpatrick	D7/510
D810,574	S *	2/2018	Melkonian	D9/531
D812,978	S *	3/2018	Swan	D7/511
D815,908	S *	4/2018	Kauss	D7/511
D816,410	S *	5/2018	Yu	D7/510
D823,641	S *	7/2018	Bodum	D7/510
D836,985	S *	1/2019	Otto	D7/510
D838,598	S *	1/2019	Melkonian	D9/531
2006/0016819	A1 *	1/2006	Paslowski	B65D 1/0292
				220/666
2012/0318767	A1 *	12/2012	Burgess	B65D 1/0207
				215/40

* cited by examiner

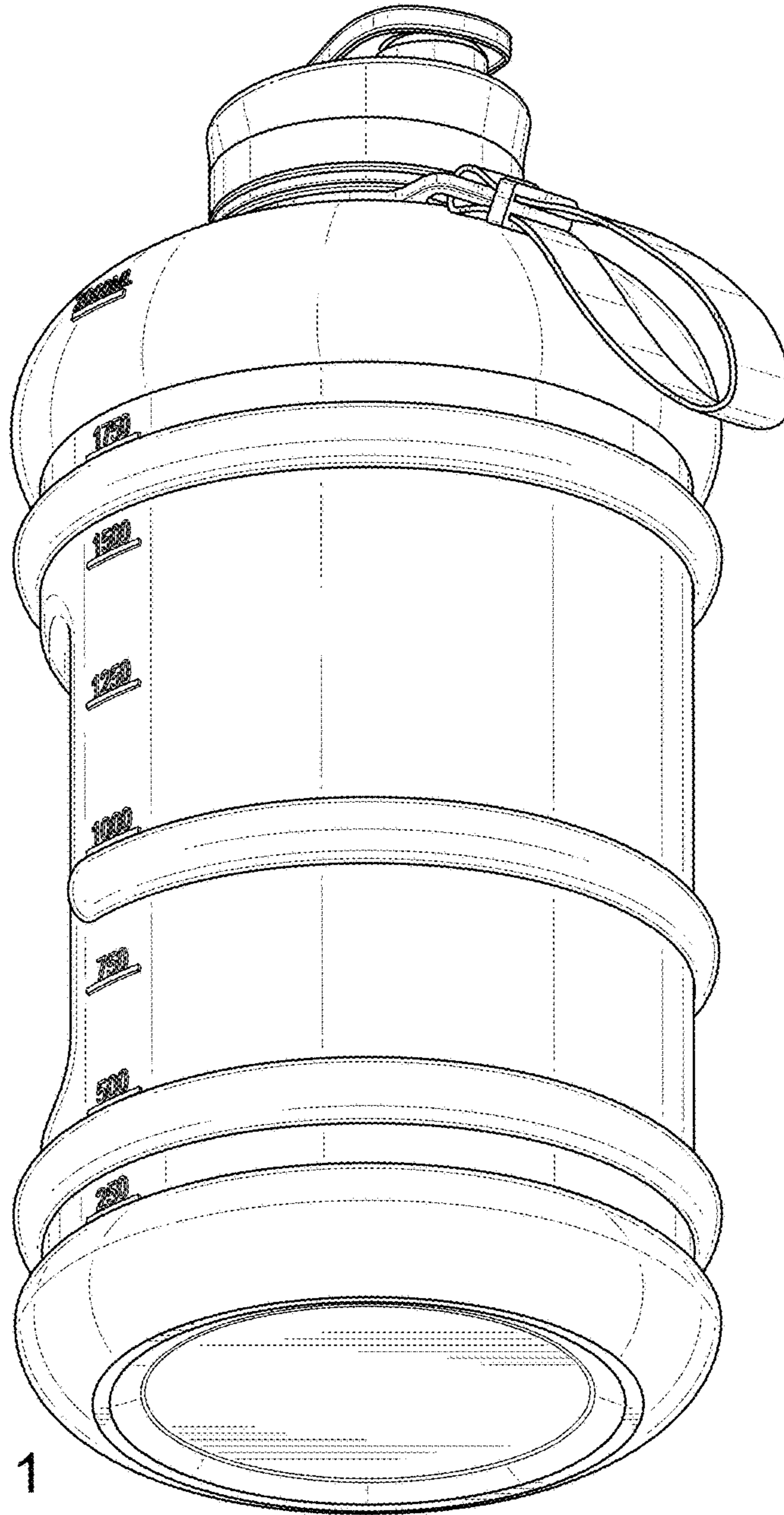


FIG. 1

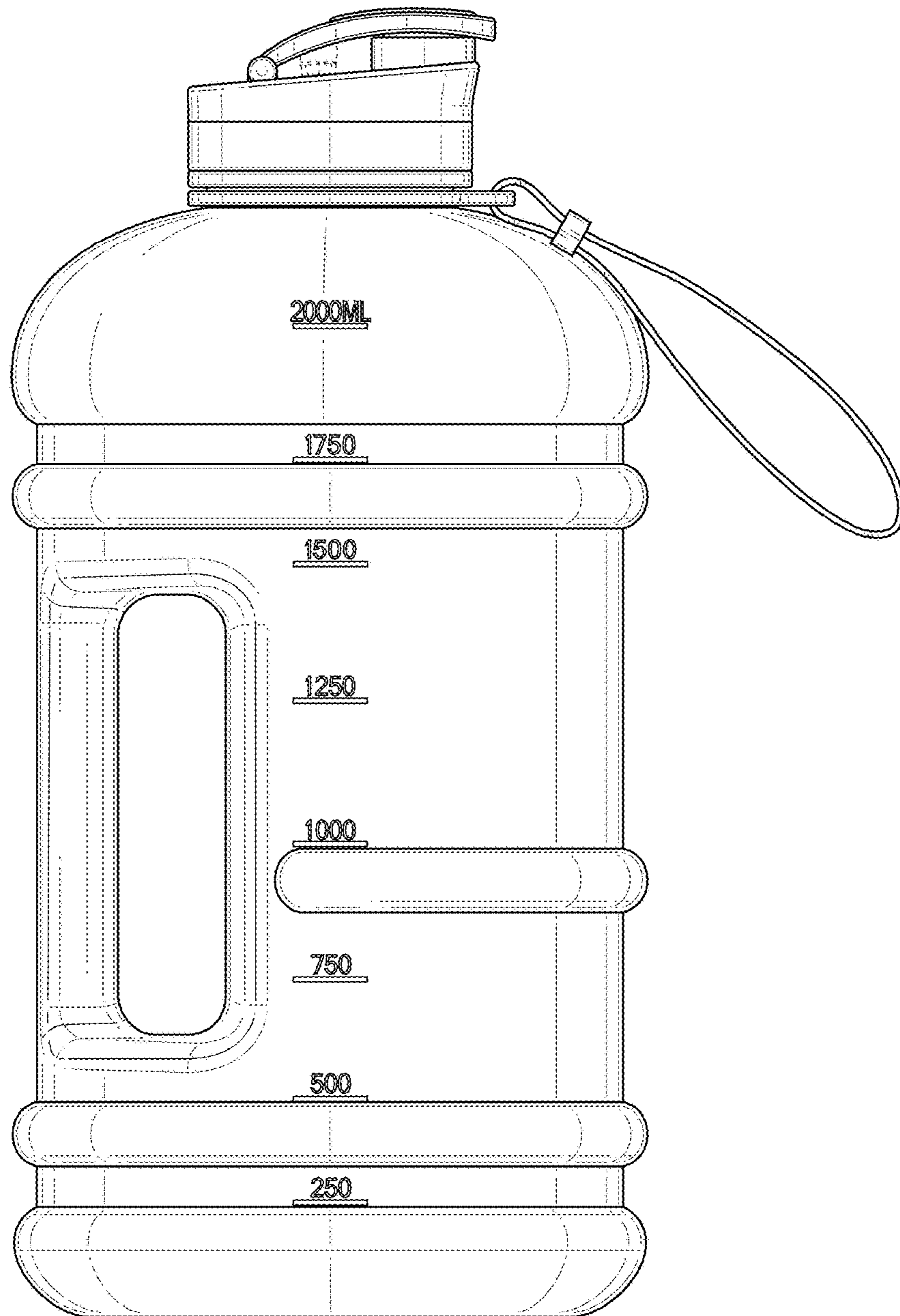


FIG. 2

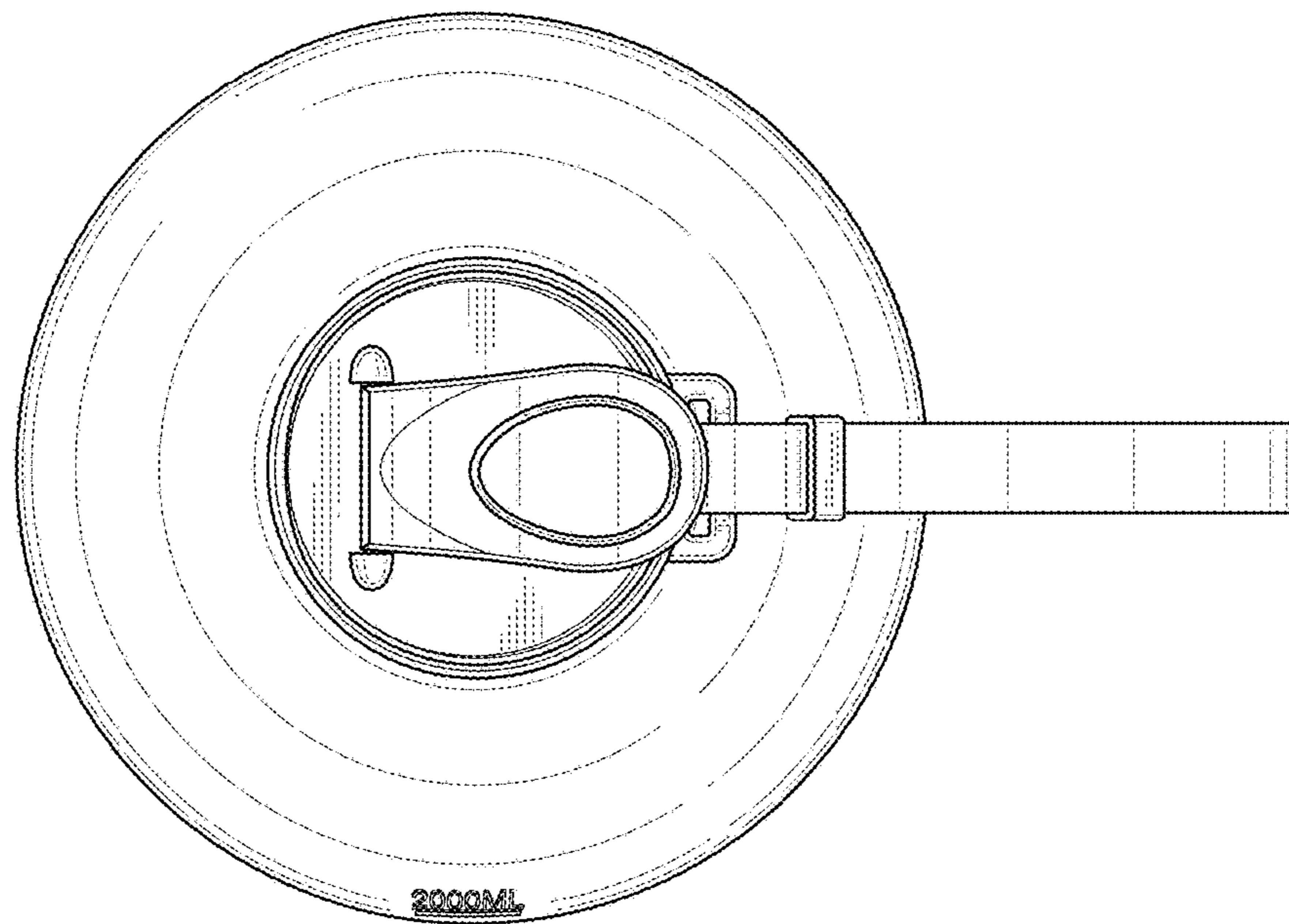


FIG. 3

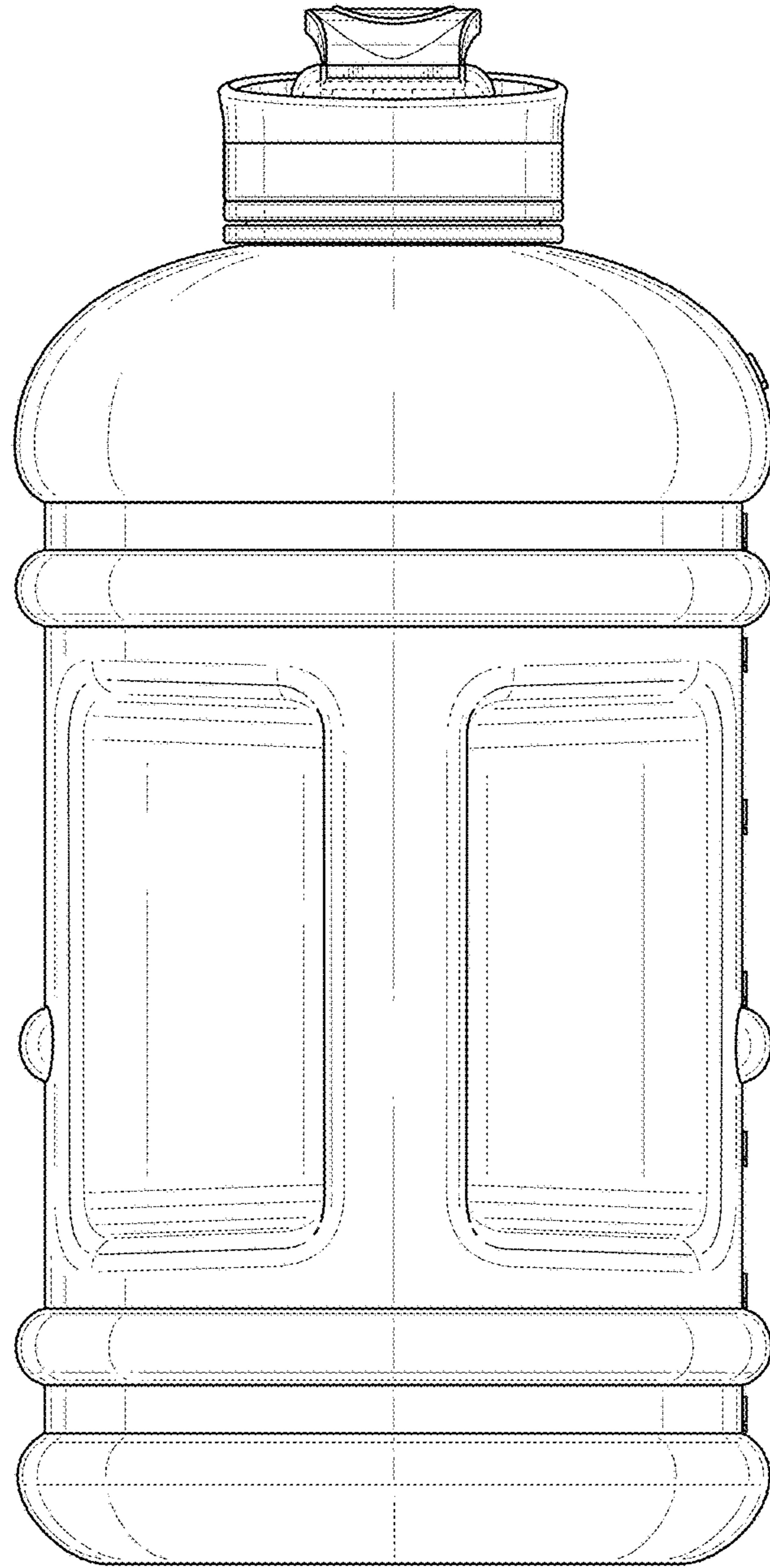


FIG. 4

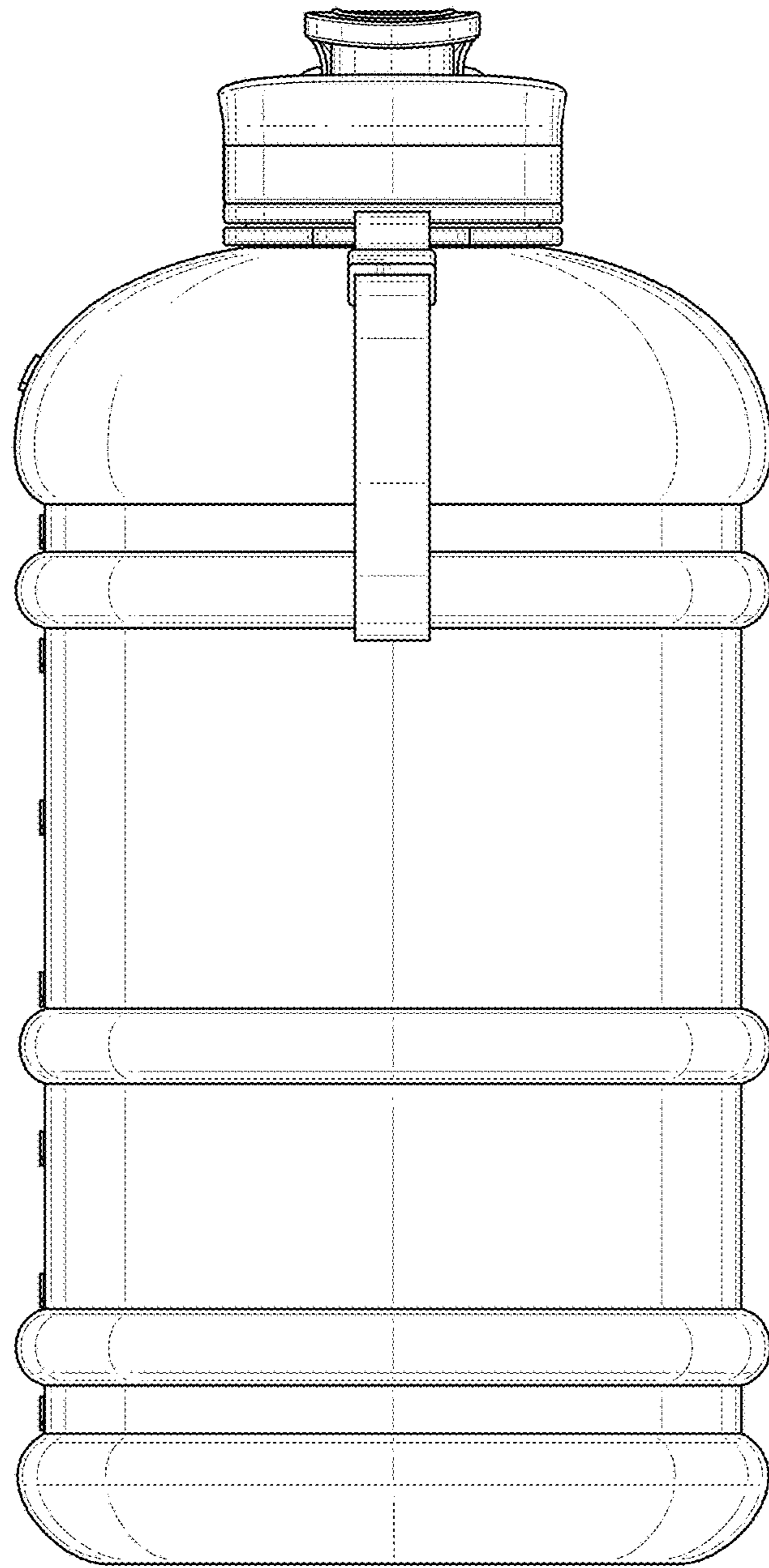


FIG. 5

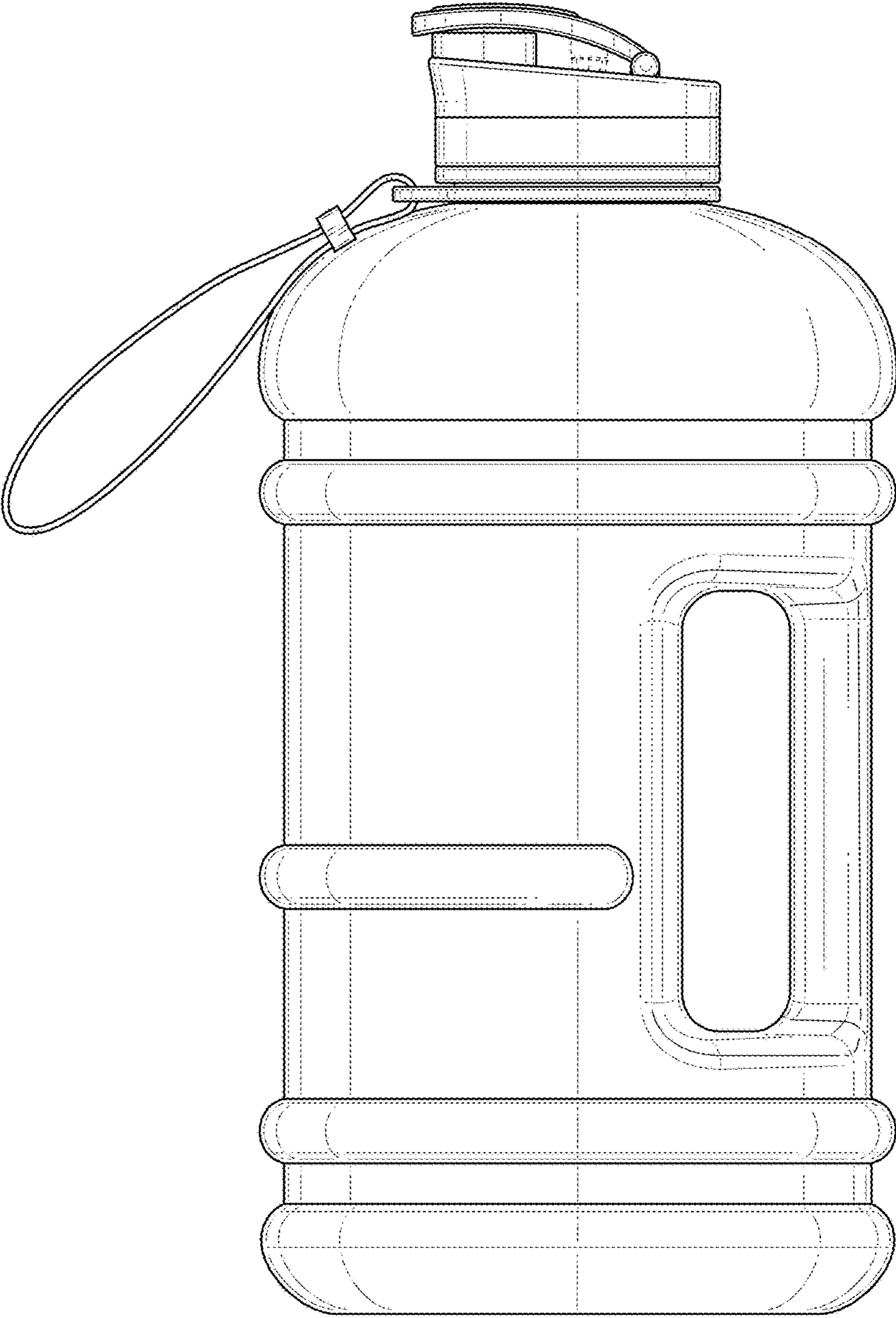


FIG. 6

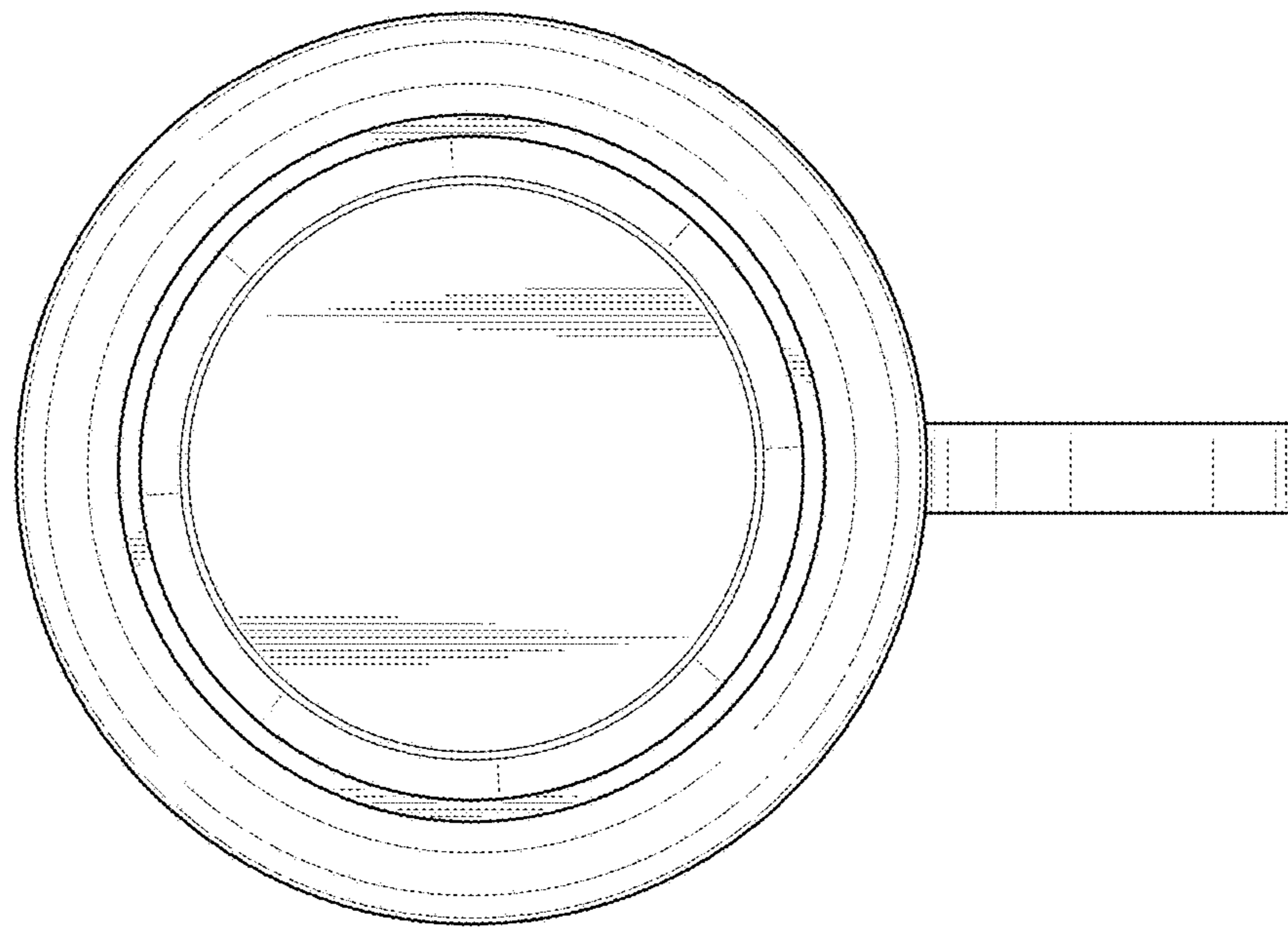


FIG. 7