



US00D872532S

(12) **United States Design Patent**
Kasha

(10) **Patent No.:** **US D872,532 S**
(45) **Date of Patent:** **** Jan. 14, 2020**

(54) **DOUBLE-WALLED DRINKING GLASS**

(71) Applicant: **Adam Kasha**, Ann Arbor, MI (US)

(72) Inventor: **Adam Kasha**, Ann Arbor, MI (US)

(**) Term: **15 Years**

(21) Appl. No.: **29/626,671**

(22) Filed: **Nov. 18, 2017**

(51) **LOC (12) Cl.** **07-01**

(52) **U.S. Cl.**
USPC **D7/509; D7/523**

(58) **Field of Classification Search**
USPC D7/507, 509, 510, 511, 523, 528, 529,
D7/530, 531, 397, 622, 533, 536, 500,
D7/584, 608, 532; D9/523, 552, 542,
D9/569, 530, 531, 570, 453, 500, 452,
D9/444, 439, 434, 435; D11/152, 153,
D11/143, 144
CPC A47G 19/22; A47G 19/2272; A47G
19/2288; A47G 19/2205; B65D 1/265;
B65D 47/066; A47J 41/02; A47J 41/0077;
A47J 43/27
See application file for complete search history.

(56) **References Cited**

U.S. PATENT DOCUMENTS

| | | | | | |
|-----------|-----|---------|-----------|-------|--------------------------|
| 2,839,209 | A * | 6/1958 | Lester | | A47G 19/22 215/13.1 |
| 3,781,164 | A * | 12/1973 | McCaffery | | F21V 35/00 220/659 |
| D260,470 | S * | 9/1981 | Angelakos | | D7/507 |
| 4,525,950 | A * | 7/1985 | Glassman | | A47G 7/06 428/13 |
| 5,090,213 | A * | 2/1992 | Glassman | | A47G 19/2288 62/457.2 |
| 5,353,546 | A * | 10/1994 | Bock | | A47G 7/06 239/51.5 |

| | | | | | |
|-----------|------|---------|------------|-------|--------------------------|
| D388,892 | S * | 1/1998 | Ratia | | D26/9 |
| D463,715 | S * | 10/2002 | Dretzka | | D7/523 |
| D502,365 | S * | 3/2005 | Dretzka | | D7/509 |
| D519,785 | S * | 5/2006 | Bodum | | D7/509 |
| 7,124,603 | B2 * | 10/2006 | Bianco | | A47G 19/2288 62/457.3 |
| D550,034 | S * | 9/2007 | Bodum | | D7/509 |
| D557,075 | S * | 12/2007 | Lucaci | | D7/500 |
| D597,792 | S * | 8/2009 | Lion | | D7/509 |
| D631,294 | S * | 1/2011 | Ross | | D7/507 |
| D643,317 | S * | 8/2011 | Clear | | D10/46.3 |
| D665,231 | S * | 8/2012 | Pola | | D7/507 |
| D667,151 | S * | 9/2012 | Arslanian | | D26/9 |
| D672,481 | S * | 12/2012 | Arslanian | | D26/22 |
| D698,603 | S * | 2/2014 | Huckestein | | D7/509 |
| D731,916 | S * | 6/2015 | Kasha | | A47G 7/06 D11/153 |
| D744,283 | S * | 12/2015 | Thun | | D7/509 |
| D806,478 | S * | 1/2018 | Struggl | | D7/523 |
| D825,994 | S * | 8/2018 | McConnell | | D7/523 |
| D828,101 | S * | 9/2018 | Kasha | | D7/584 |
| D828,103 | S * | 9/2018 | Kasha | | D7/584 |
| D828,725 | S * | 9/2018 | Kasha | | D7/584 |

(Continued)

Primary Examiner — Jae Liang

(74) *Attorney, Agent, or Firm* — John G. Posa; Belzer PC

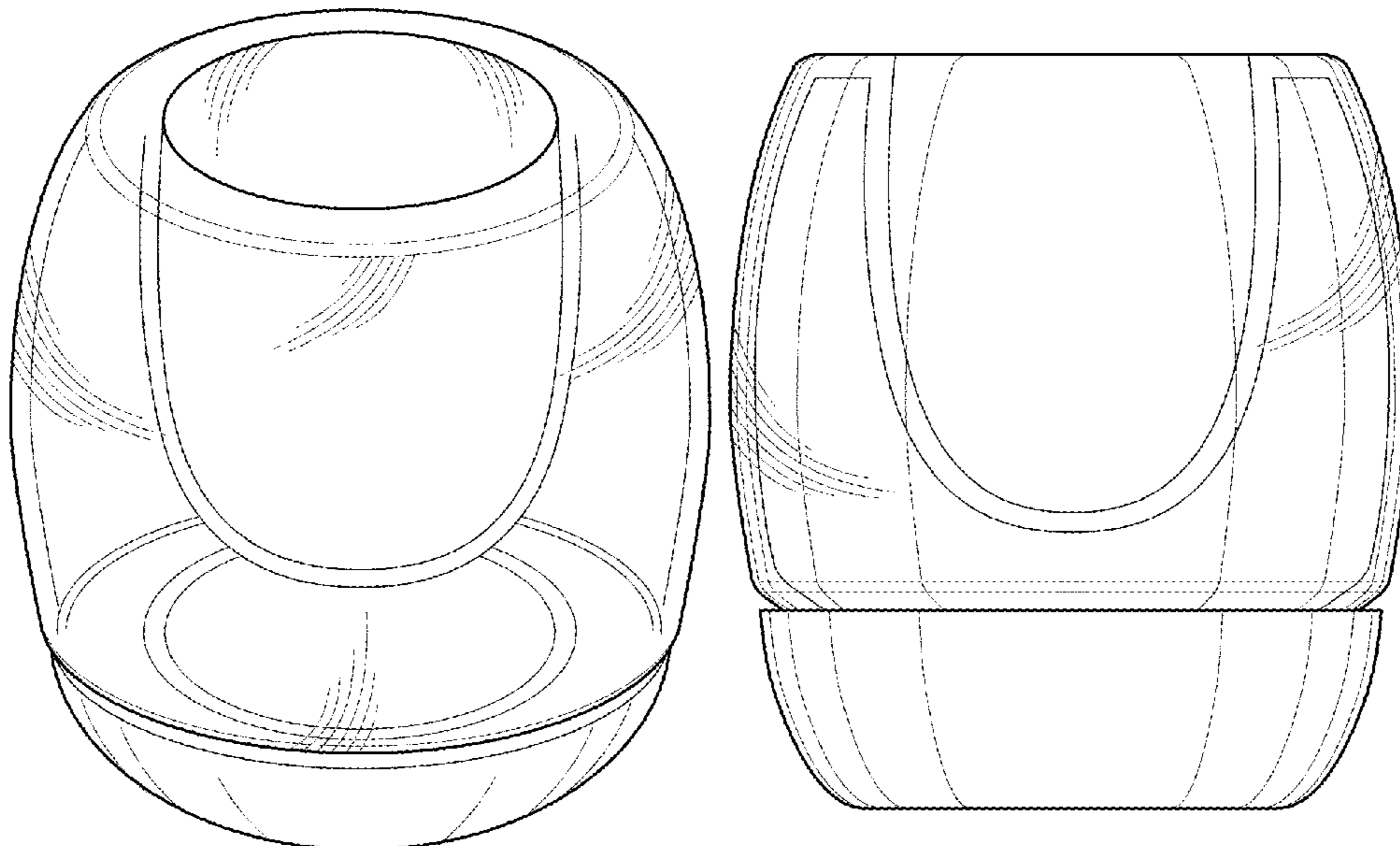
(57) **CLAIM**

The ornamental design for a double-walled drinking glass, as shown and described.

DESCRIPTION

FIG. 1 is a top perspective view of a double-walled drinking glass, showing my new design; FIG. 2 is a side view of the double-walled drinking glass; FIG. 3 is a top-down view of the double-walled drinking glass; and, FIG. 4 is a bottom view of the double-walled drinking glass. Any broken lines in the figures illustrate the portions of the invention that form no part of the claimed design.

1 Claim, 2 Drawing Sheets



(56)

References Cited

U.S. PATENT DOCUMENTS

D840,755 S * 2/2019 Kehoe D7/523
2016/0073811 A1 * 3/2016 Bell A47G 19/2205
206/459.5

* cited by examiner

FIG. 1

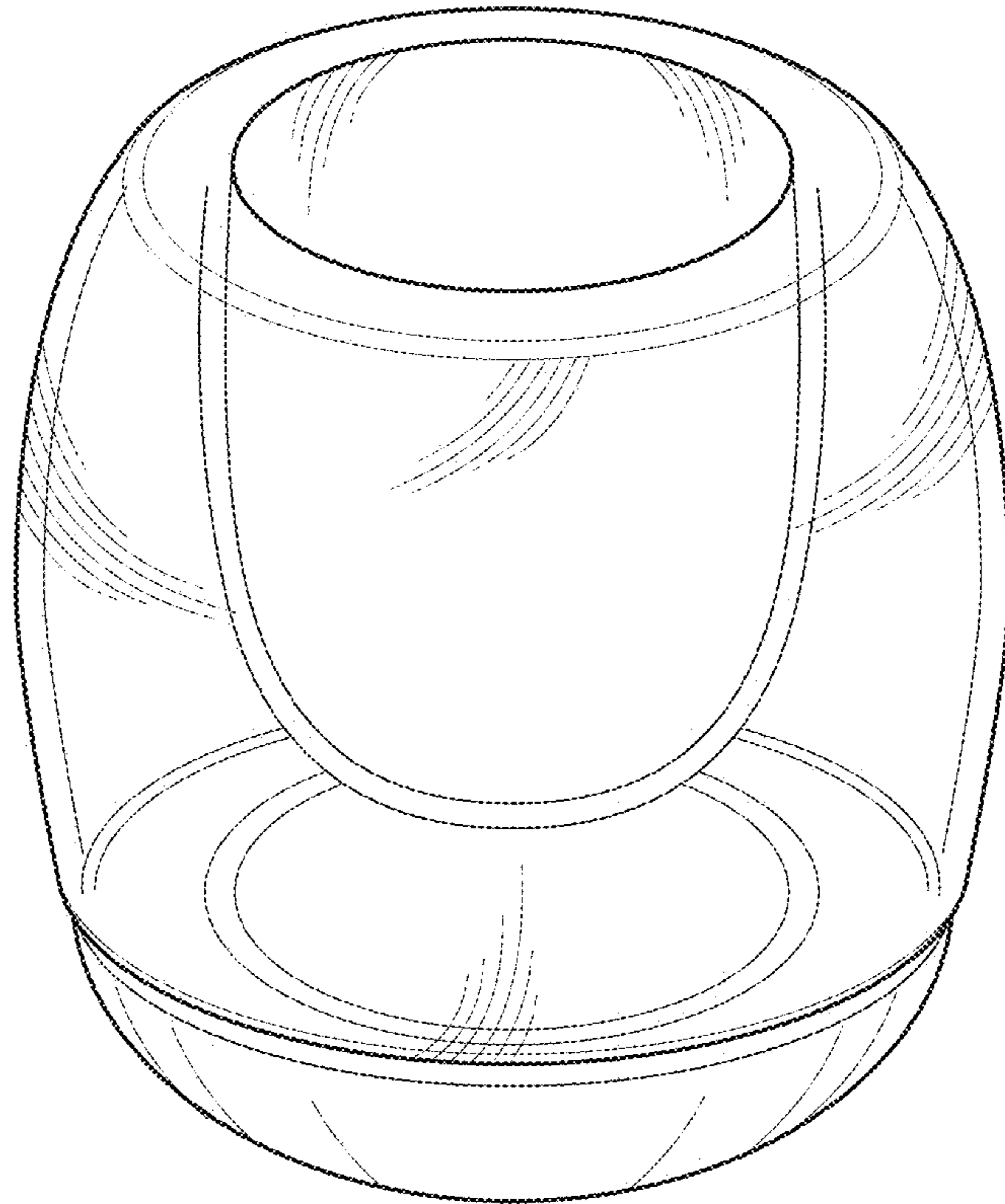


FIG. 2

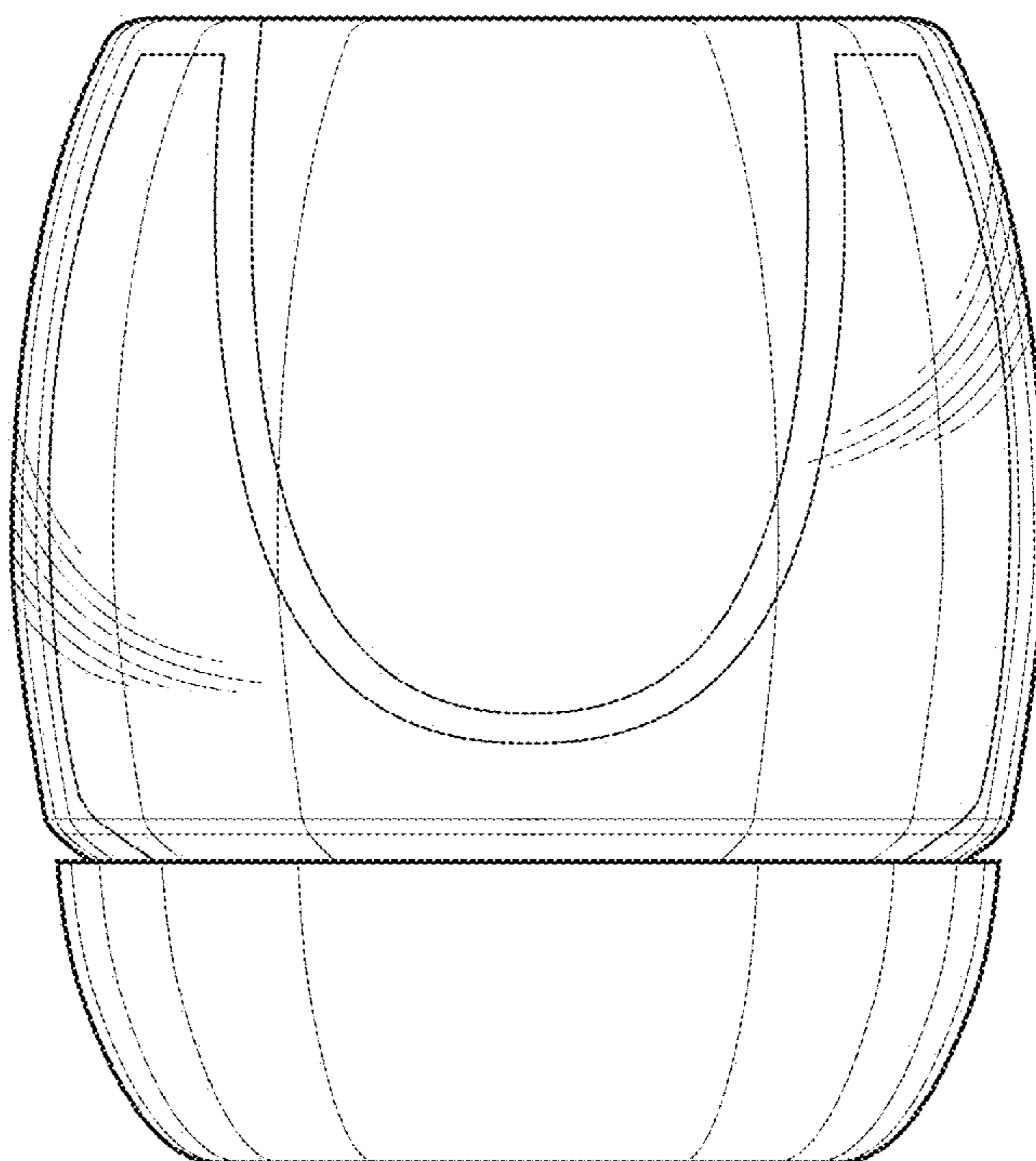


FIG. 3

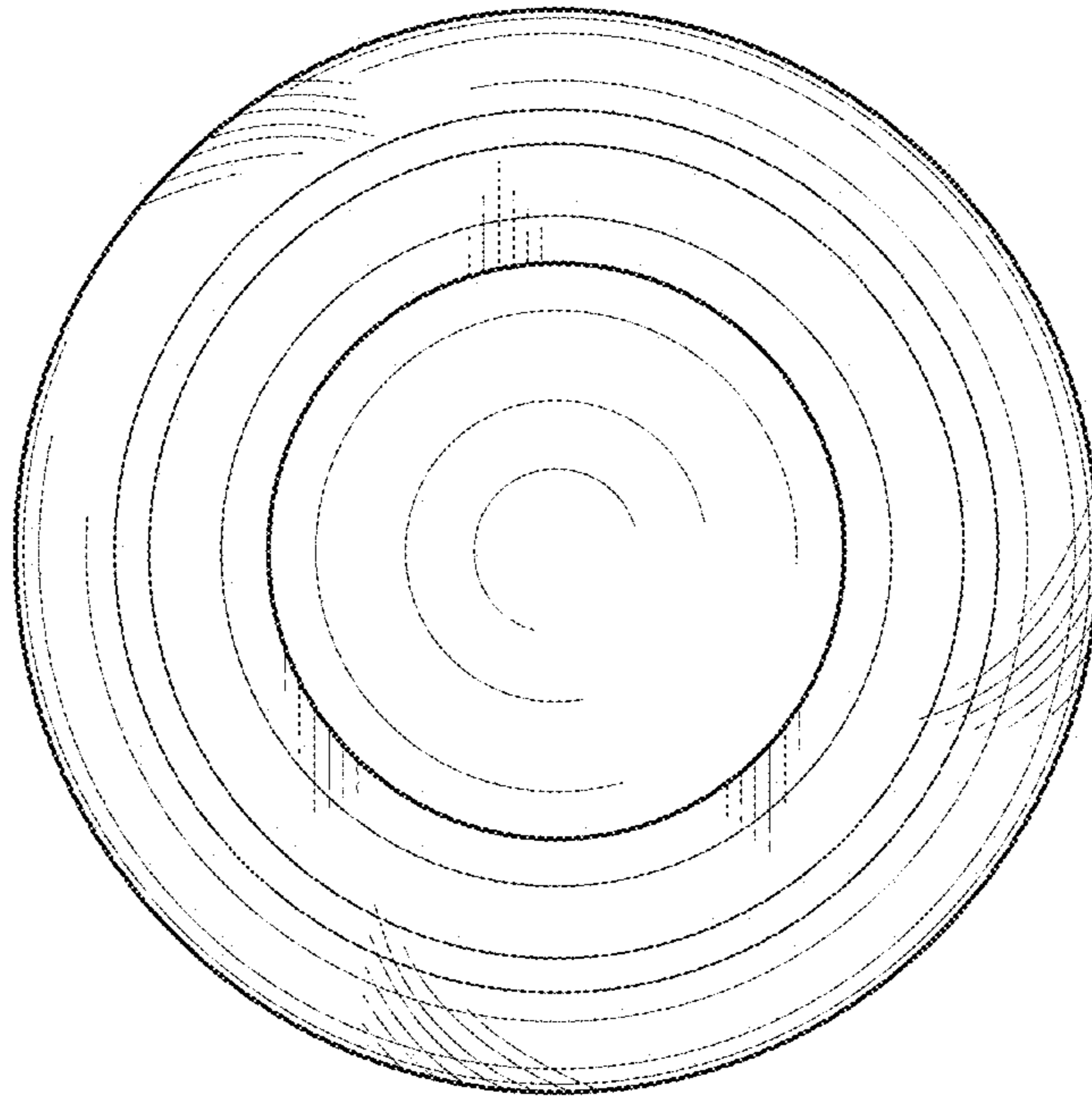


FIG. 4

