



US00D872531S

(12) **United States Design Patent** (10) **Patent No.:** **US D872,531 S**
Roberts et al. (45) **Date of Patent:** **** Jan. 14, 2020**

(54) **SIPPY CUP**
(71) Applicant: **Gametime Sidekicks, LLC**, Powell, TN (US)
(72) Inventors: **Tyler L. Roberts**, Knoxville, TN (US); **Bobby L. Roberts**, Knoxville, TN (US); **Jae Young Jeon**, Des Plaines, IL (US); **Brent William Lindberg**, Saint Charles, IL (US)
(73) Assignee: **Gametime Sidekicks, LLC**, Powell, TN (US)
(**) Term: **15 Years**
(21) Appl. No.: **29/636,868**
(22) Filed: **Feb. 12, 2018**
(51) **LOC (12) Cl.** **07-01**
(52) **U.S. Cl.**
USPC **D7/507**; D7/510; D7/534
(58) **Field of Classification Search**
USPC D7/505, 507, 509, 510, 511, 523, 528, D7/529, 530, 531, 532, 535, 533, 536, D7/305, 321, 319, 316, 317, 318, 590, D7/608, 310, 534, 392.1, 396.2; 220/592.16, 592.17, 705; D24/197; D9/500, 503, 504
CPC A47G 19/22; A47G 19/2205; A47G 19/2211; A47G 19/2216; A47G 19/2227; A47G 19/02; A47G 19/2288; A47J 31/06
See application file for complete search history.

(56) **References Cited**
U.S. PATENT DOCUMENTS
D233,972 S * 12/1974 Juhlin D7/534
4,121,731 A * 10/1978 Okerstrum A47G 19/2272
220/715
D332,894 S * 2/1993 Green D7/510

5,294,018 A * 3/1994 Boucher A47G 19/2272
215/376
D366,987 S * 2/1996 Allegre D7/510
5,542,670 A * 8/1996 Morano A47G 19/2272
137/512.4
D407,269 S * 3/1999 Fletcher D7/510
D474,647 S * 5/2003 Reinius D7/510
6,786,352 B2 * 9/2004 Belcastro A47G 19/2272
220/203.18
D559,624 S 1/2008 Carreno
D561,522 S * 2/2008 Gordon D7/392
D579,722 S * 11/2008 Sakulsacha D7/510
D626,246 S 10/2010 Rees et al.
D630,510 S * 1/2011 Yacktman D9/447
D636,228 S * 4/2011 Marsh D24/197
D731,857 S * 6/2015 Saxton D7/534
D734,095 S 7/2015 Thomas
D748,435 S 2/2016 Thalmann et al.
D842,654 S * 3/2019 Born D7/515

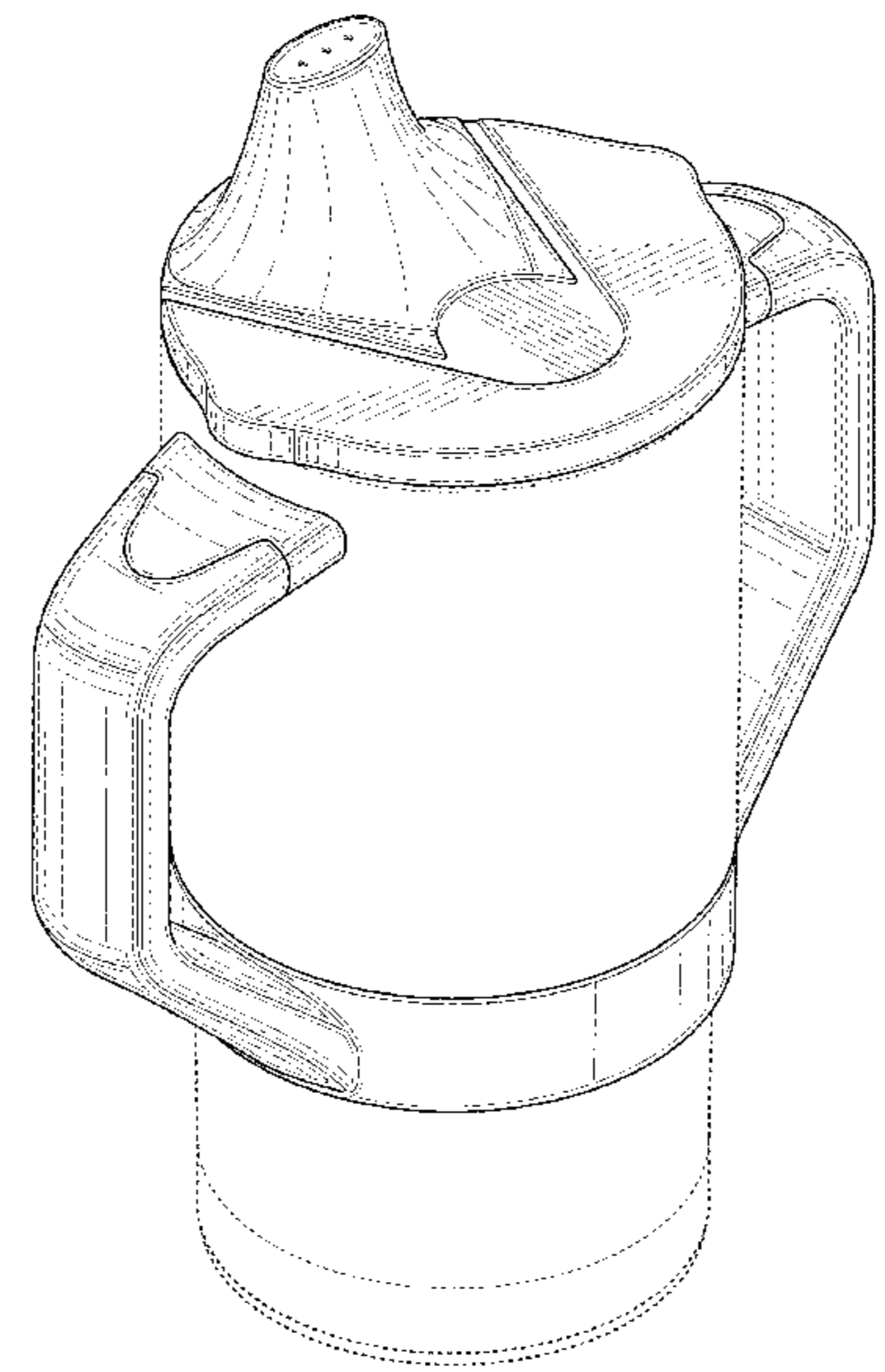
(Continued)

Primary Examiner — Jae Liang
(74) *Attorney, Agent, or Firm* — Luedeka Neely Group, PC

(57) **CLAIM**
The ornamental design for a sippy cup, as shown and described.

DESCRIPTION
FIG. 1 is a perspective view of a sippy cup showing our new design;
FIG. 2 is a front view thereof;
FIG. 3 is a rear view thereof;
FIG. 4 is a left side view thereof;
FIG. 5 is a right side view thereof;
FIG. 6 is a top plan view thereof;
FIG. 7 is a bottom plan view thereof; and,
FIG. 8 is an exploded perspective view thereof.
The broken lines in the drawings depict environmental subject matter only and form no part of the claimed design.

1 Claim, 7 Drawing Sheets



(56)

References Cited

U.S. PATENT DOCUMENTS

2002/0126851 A1* 9/2002 Lo A47G 19/2227
381/61

* cited by examiner

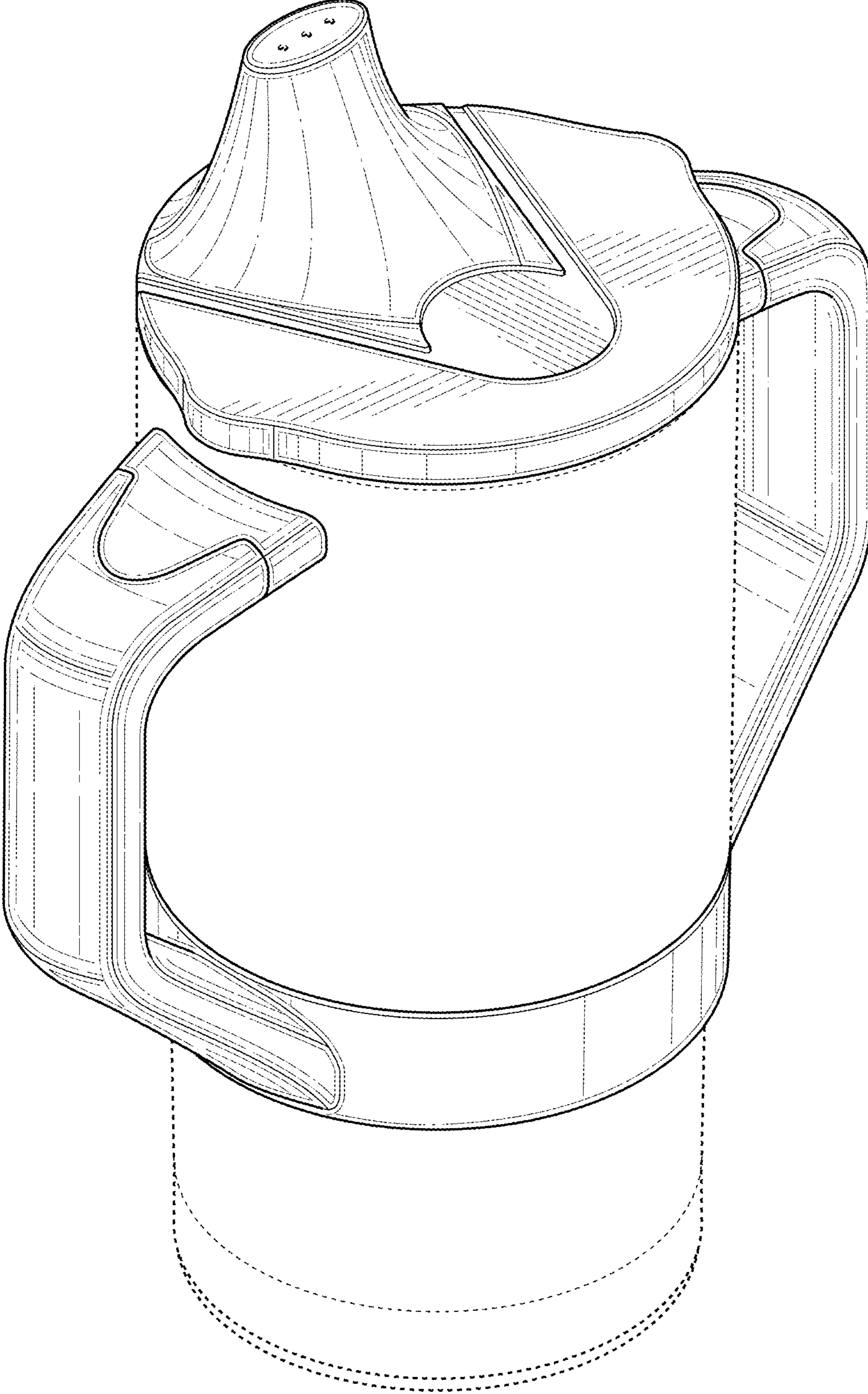


FIG. 1

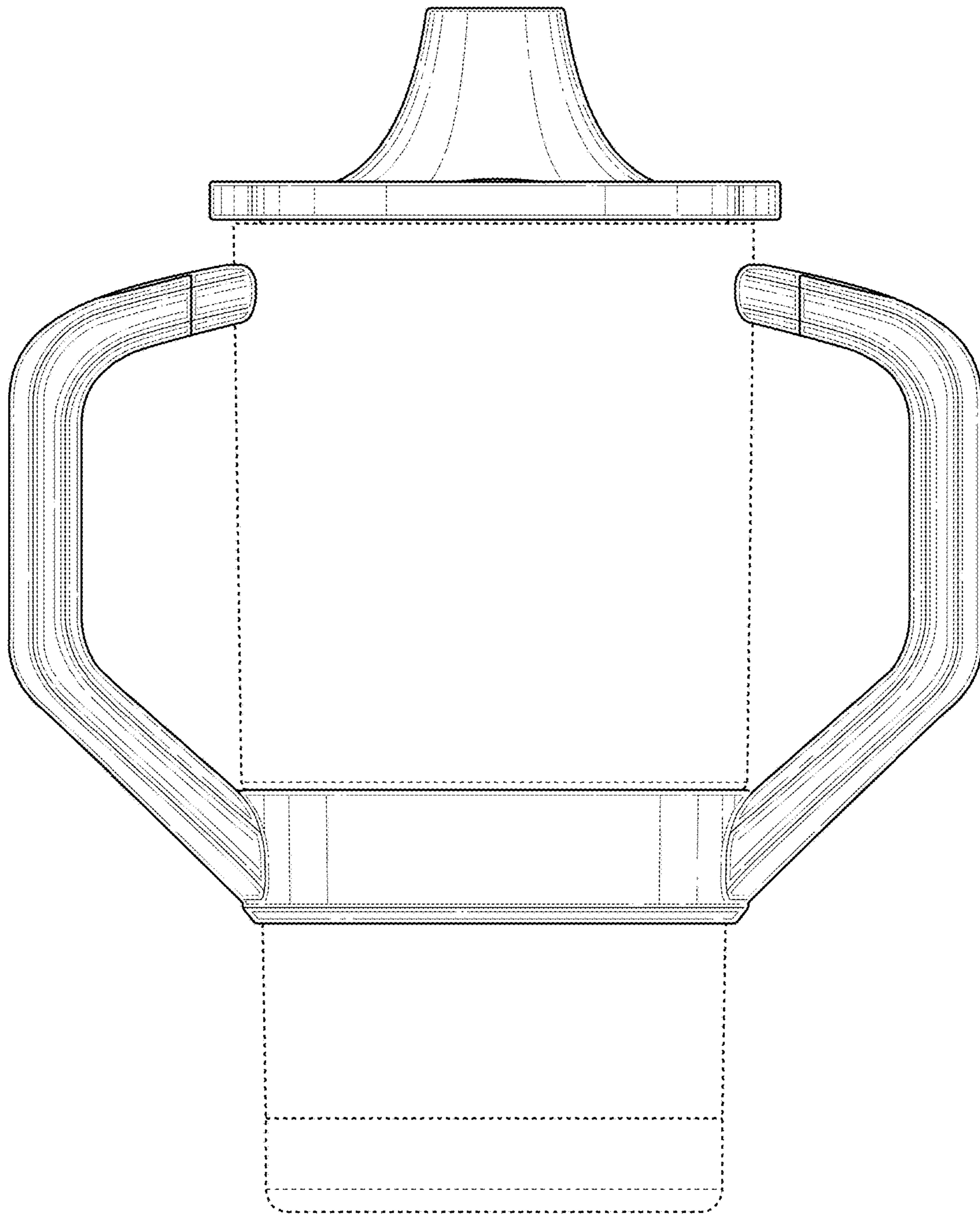


FIG. 2

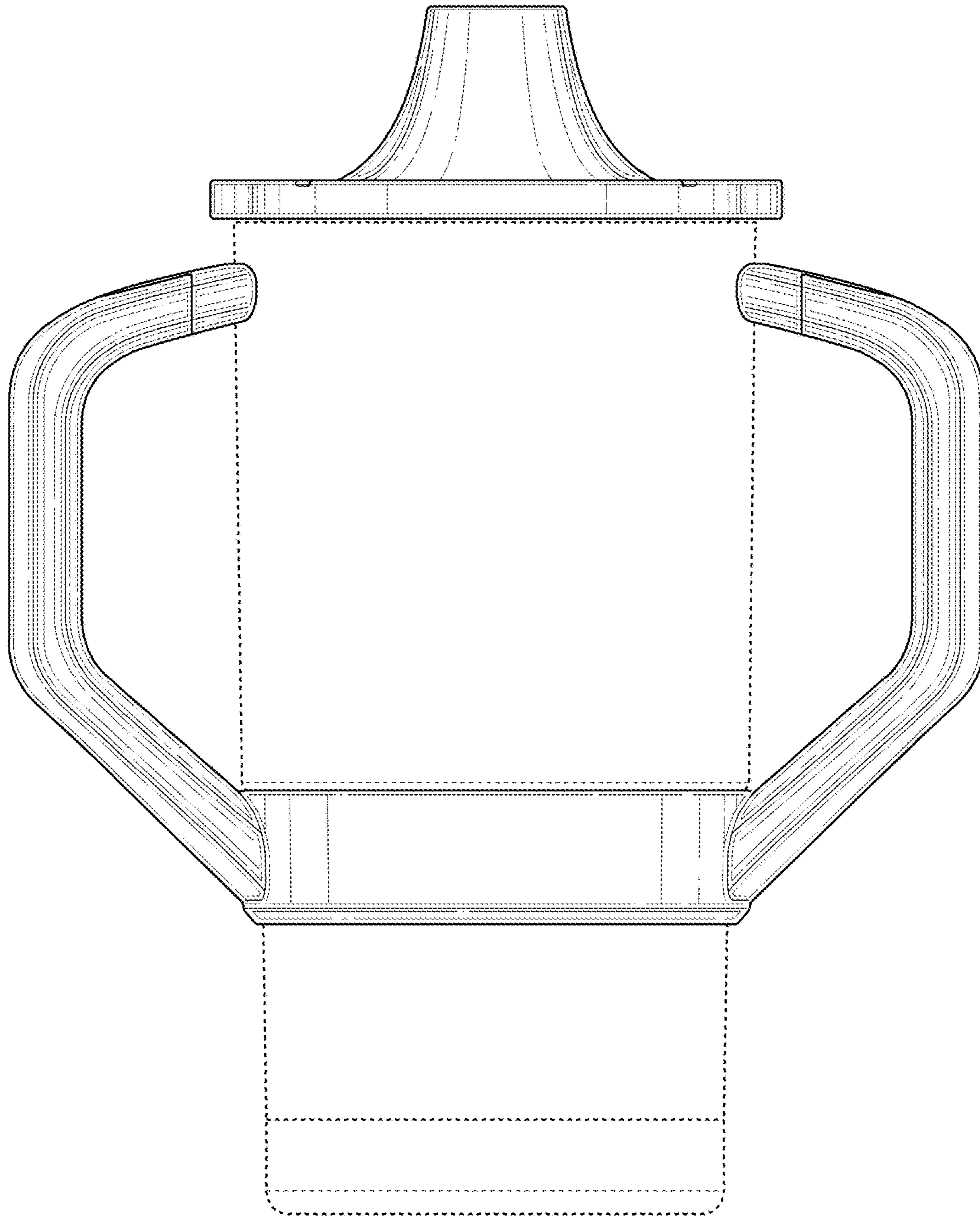


FIG. 3

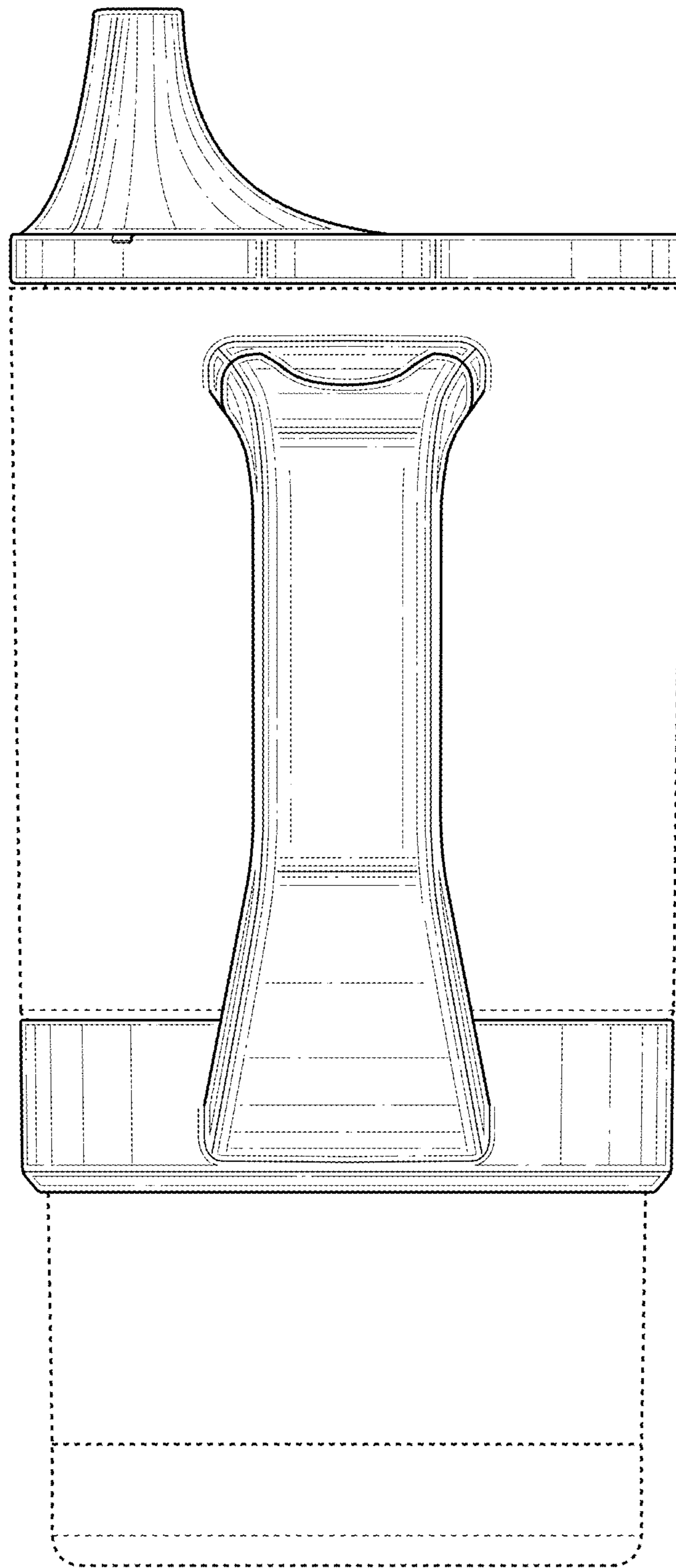


FIG. 4

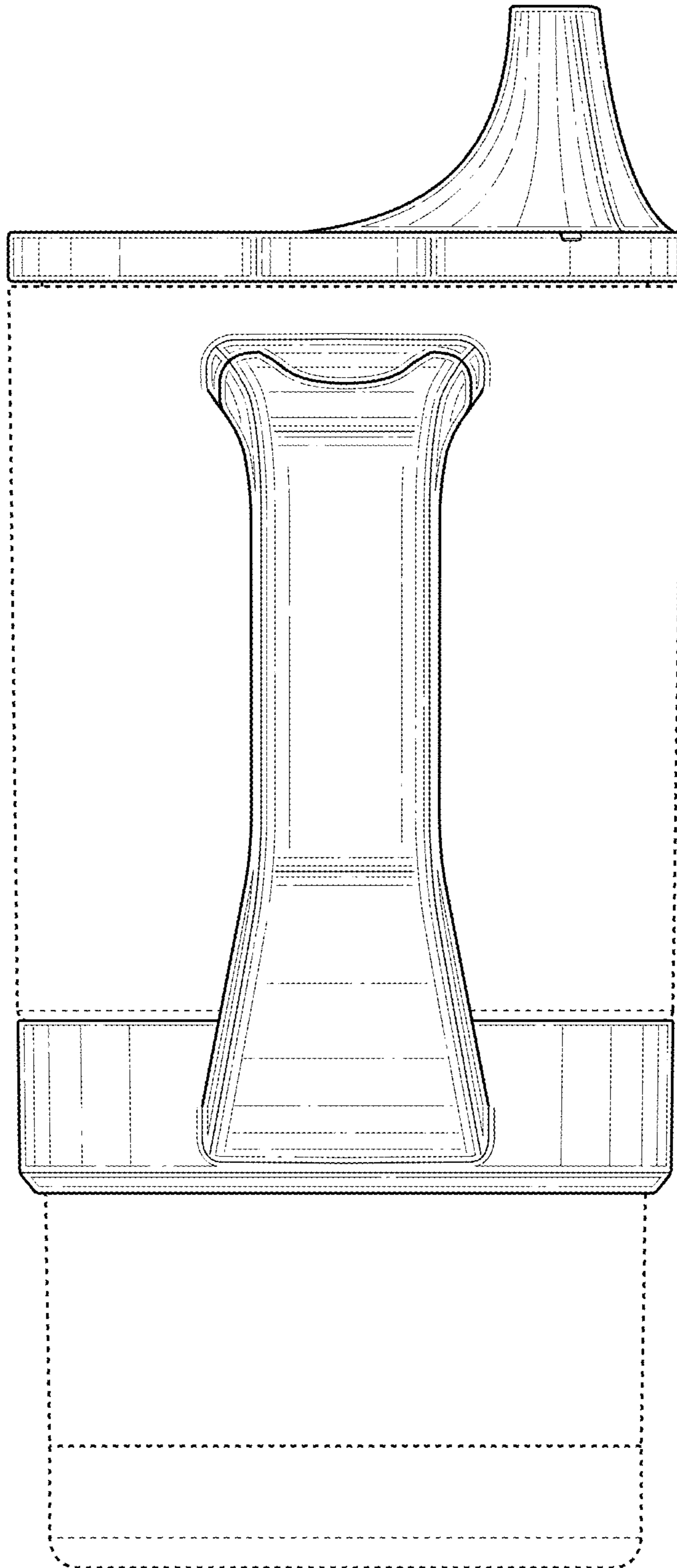


FIG. 5

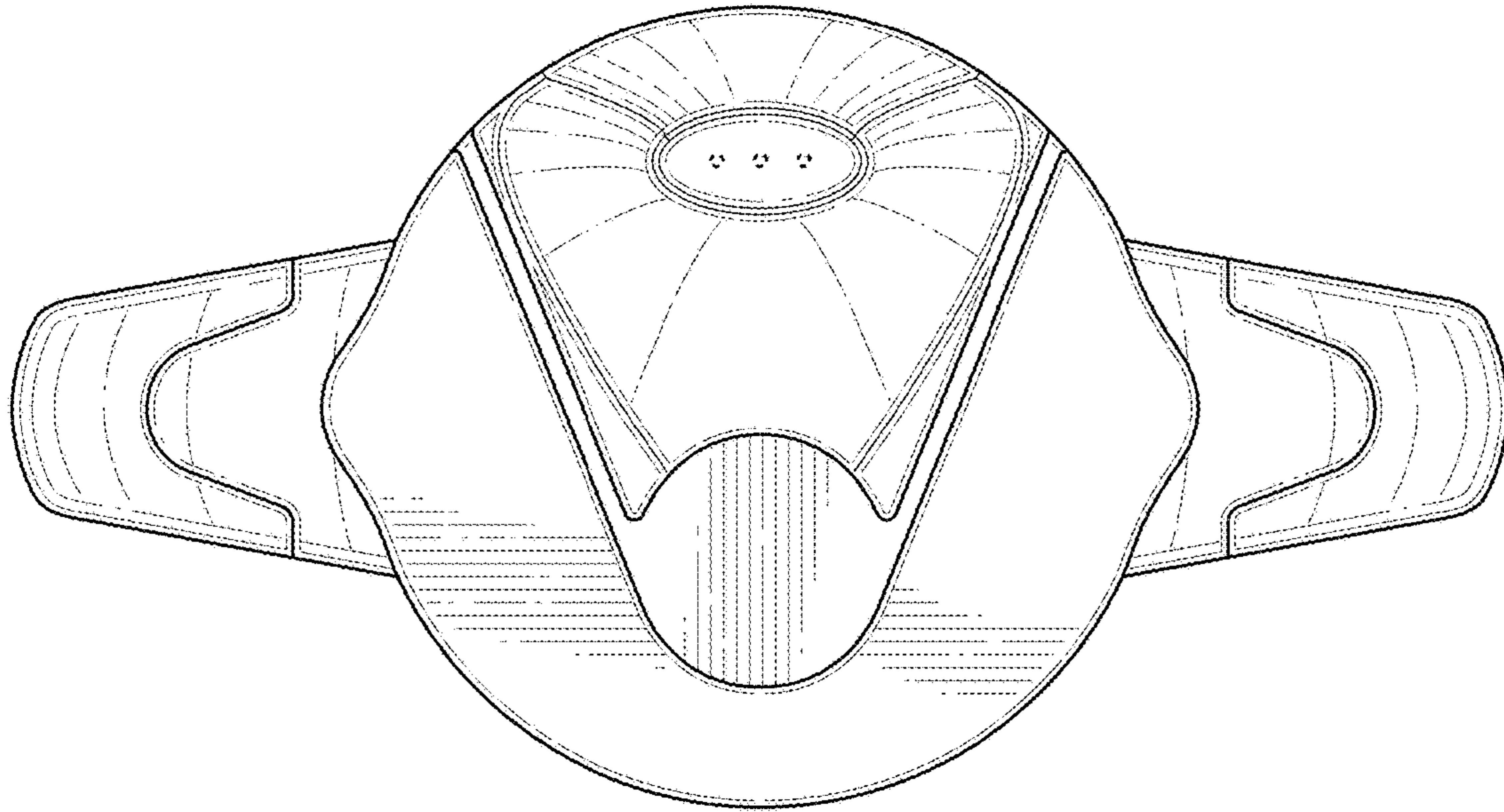


FIG. 6

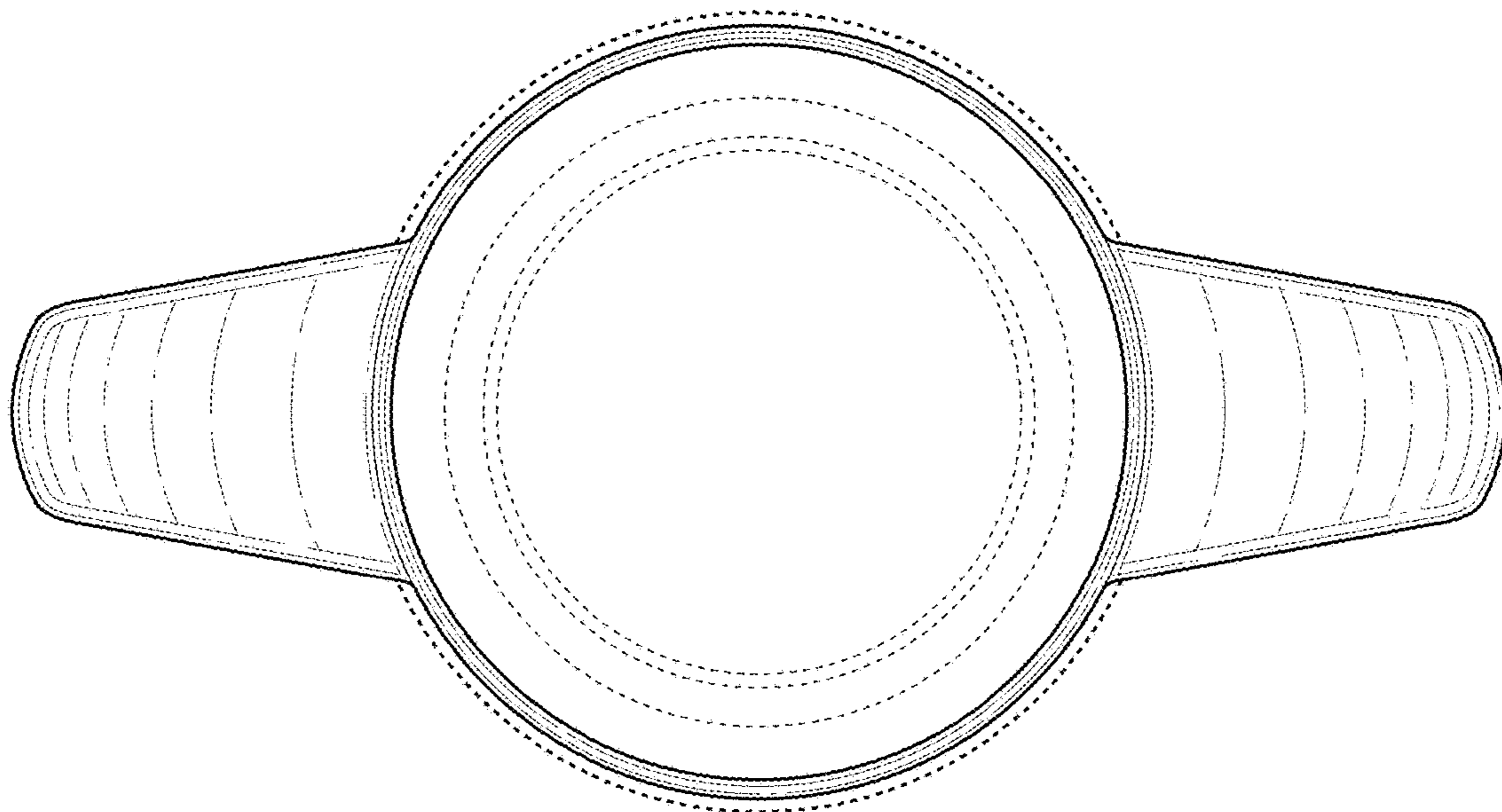


FIG. 7

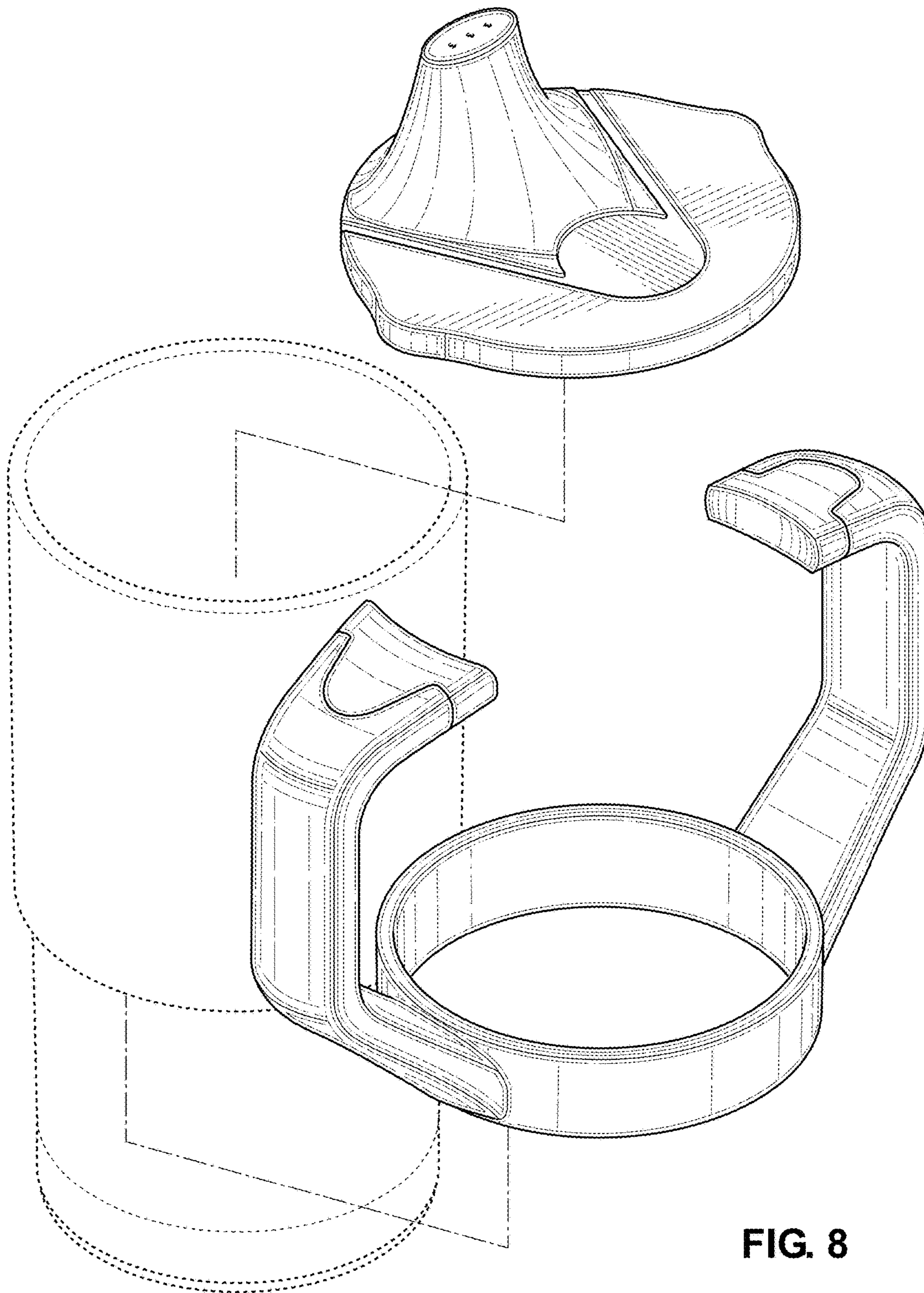


FIG. 8