



US00D872528S

(12) **United States Design Patent**
Hsu

(10) **Patent No.:** **US D872,528 S**
(45) **Date of Patent:** **** Jan. 14, 2020**

- (54) **SPOUT OF TRAVEL MUG**
- (71) Applicant: **Tien-Chang Hsu**, Taipei (TW)
- (72) Inventor: **Tien-Chang Hsu**, Taipei (TW)
- (**) Term: **15 Years**
- (21) Appl. No.: **29/643,519**
- (22) Filed: **Apr. 9, 2018**
- (51) **LOC (12) Cl.** **07-99**
- (52) **U.S. Cl.**
USPC **D7/398; D7/396.2**
- (58) **Field of Classification Search**
USPC D7/507, 509, 510, 511, 392.1, 396.2,
D7/400, 398, 213, 393, 394, 397, 514,
D7/515, 389, 581, 401.1, 602, 600.1, 387,
D7/524, 528; 220/200, 703; D9/434,
D9/435, 436, 447, 448, 635, 440, 439,
D9/450, 446, 443; D24/197; D23/255
CPC B65D 41/56; B65D 41/04; B65D 41/0414;
A47J 43/27; A45F 3/16; A61J 11/02;
A61J 9/02; A61J 11/045
See application file for complete search history.

- D567,084 S * 4/2008 Batton D9/440
- D569,685 S * 5/2008 Liu D7/387
- D588,869 S * 3/2009 Rasmussen D7/387
- D590,933 S * 4/2009 Vansell D23/393
- 7,549,556 B2 * 6/2009 Miller A47G 19/2272
137/853
- D607,555 S * 1/2010 Nishizawa D23/393
- D621,207 S * 8/2010 Bodum D7/392.1
- D661,544 S * 6/2012 Enghard D7/213
- D682,617 S * 5/2013 Miksovsky D7/507
- D734,150 S * 7/2015 Rigel D9/440
- D738,210 S * 9/2015 Tanner D9/440
- D745,959 S * 12/2015 Ertze D23/411
- D751,394 S * 3/2016 Chartier D9/440
- D767,112 S * 9/2016 Williams D23/386
- D788,583 S * 6/2017 Tu D7/392.1
- D794,391 S * 8/2017 Palin D7/510

(Continued)

Primary Examiner — Jae Liang
(74) *Attorney, Agent, or Firm* — Chun-Ming Shih;
LanWay IPR Services

(57) **CLAIM**

The ornamental design for a spout of travel mug, as shown and described.

DESCRIPTION

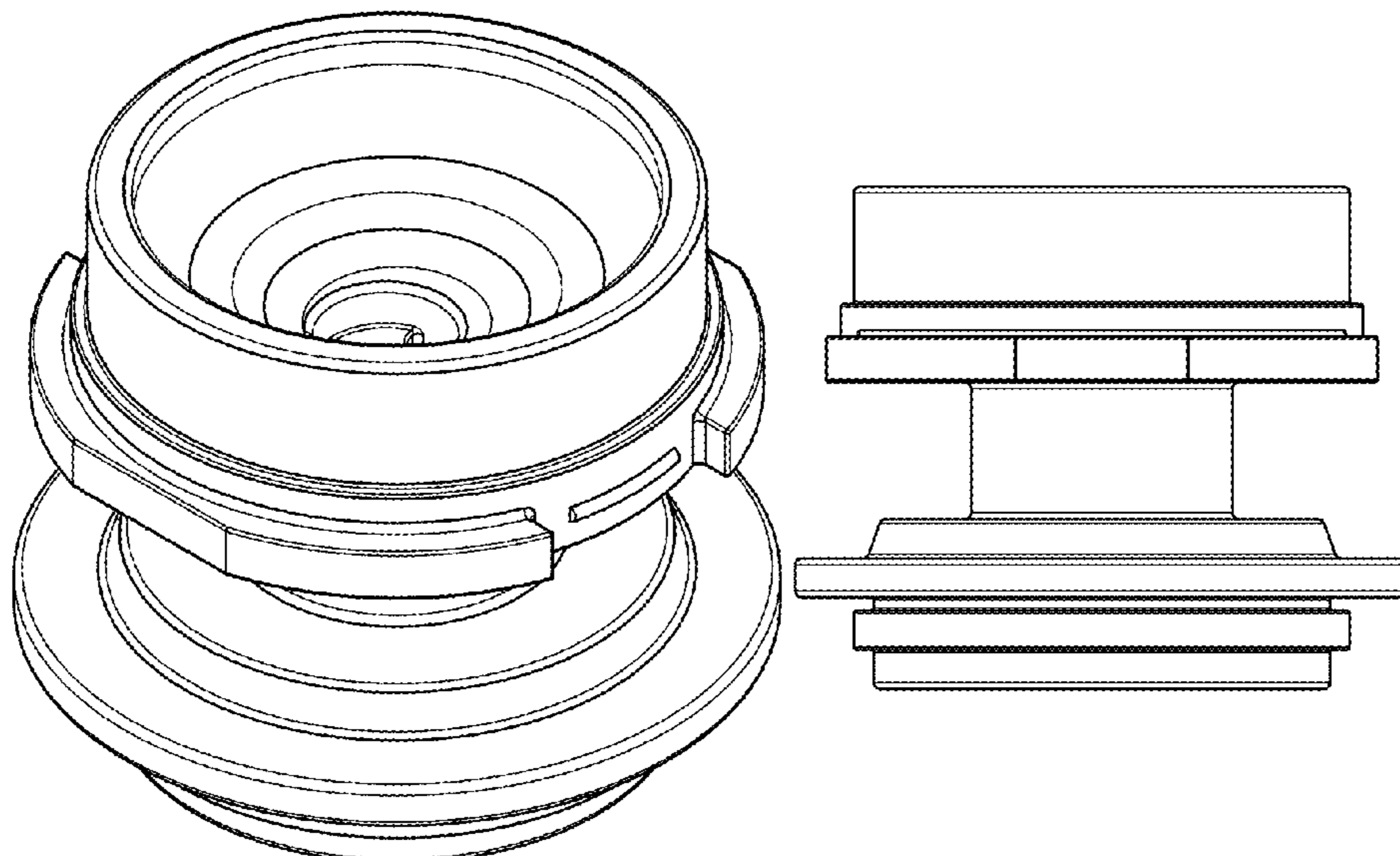
FIG. 1 is a perspective view of a spout of travel mug showing my new design;
FIG. 2 is a front view thereof;
FIG. 3 is a rear view thereof;
FIG. 4 is a left side view thereof;
FIG. 5 is a right side view thereof;
FIG. 6 is a top view thereof;
FIG. 7 is a bottom view thereof; and,
FIG. 8 is an environmental perspective view thereof.
The broken lines in the drawings depict environmental subject matter and portions of the spout of travel mug that form no part of the claimed design.

1 Claim, 5 Drawing Sheets

(56) **References Cited**

U.S. PATENT DOCUMENTS

- 3,272,202 A * 9/1966 Hurtado Soto A61J 9/008
215/11.6
- 4,787,538 A * 11/1988 Fattori B65D 47/2025
222/511
- D346,020 S * 4/1994 Kellogg D23/387
- D356,625 S * 3/1995 Petrucci D23/209
- D380,935 S * 7/1997 Enomoto D7/392.1
- D381,243 S * 7/1997 Goto D7/392
- D432,916 S * 10/2000 Drinkwater D18/43
- D448,974 S * 10/2001 Hydak D7/387
- D451,805 S * 12/2001 Mace D9/440
- D457,779 S * 5/2002 Gullickson D7/392.1
- 6,427,864 B1 * 8/2002 Asselin B65D 21/0224
206/217



(56)

References Cited

U.S. PATENT DOCUMENTS

D795,644	S *	8/2017	Cortadellas	D7/510
D799,958	S *	10/2017	Butruille	D9/440
D819,443	S *	6/2018	Martinez Carregui	D9/440
D823,114	S *	7/2018	Johnson	D9/447
D827,364	S *	9/2018	Rummel	D7/392.1
D828,088	S *	9/2018	Furieux	D7/396.2
D834,883	S *	12/2018	Lane	D7/396.2
D840,223	S *	2/2019	Marina	D9/437
D840,820	S *	2/2019	Hwang	D9/456
2008/0169262	A1 *	7/2008	Ekkert	B65D 41/0414 215/250
2011/0180535	A1 *	7/2011	Apps	B65D 11/08 220/254.1
2015/0114967	A1 *	4/2015	Brandriff	B65D 41/0442 220/327
2015/0136773	A1 *	5/2015	Choi	B65D 39/08 220/255

* cited by examiner

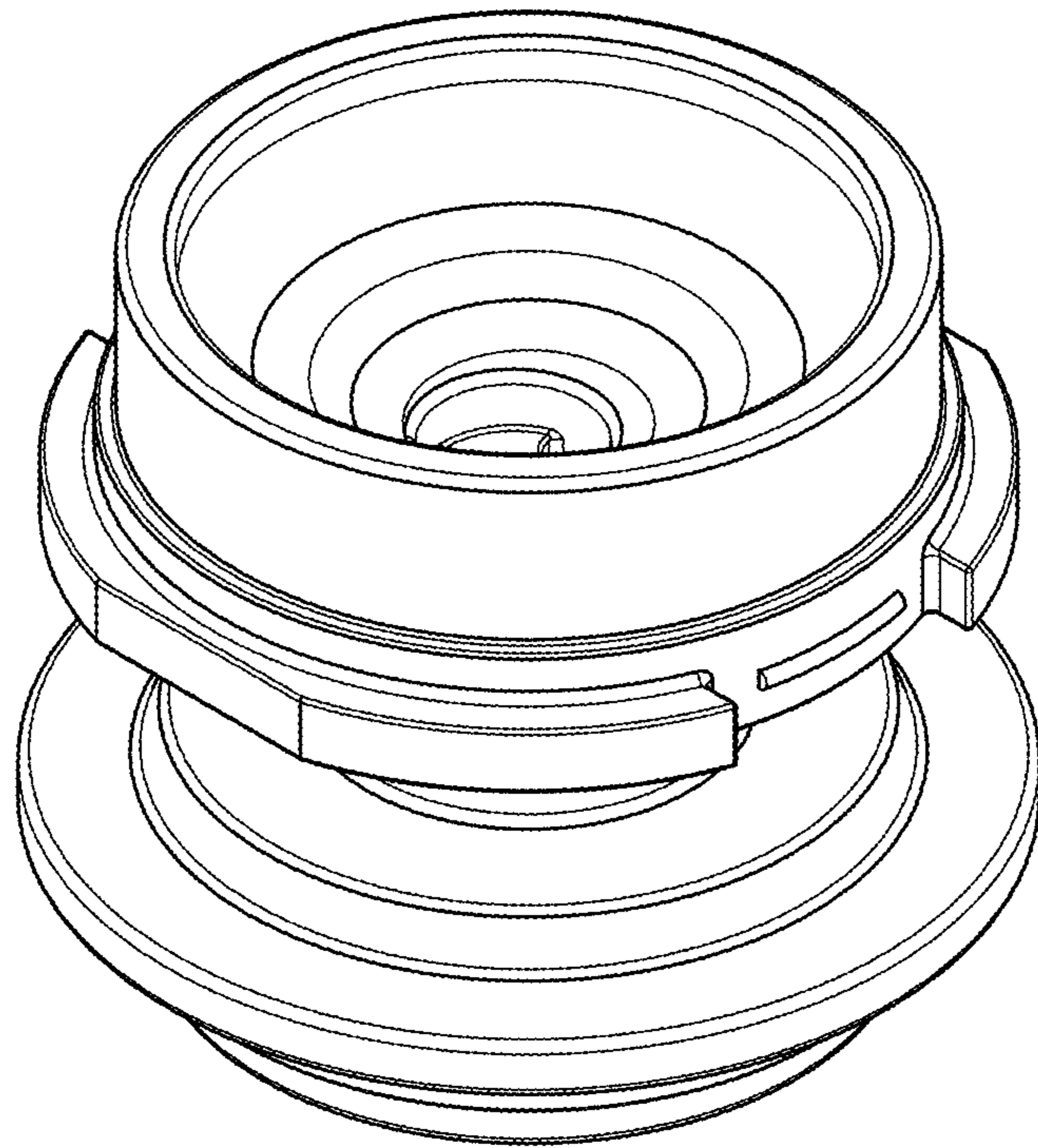


Fig. 1

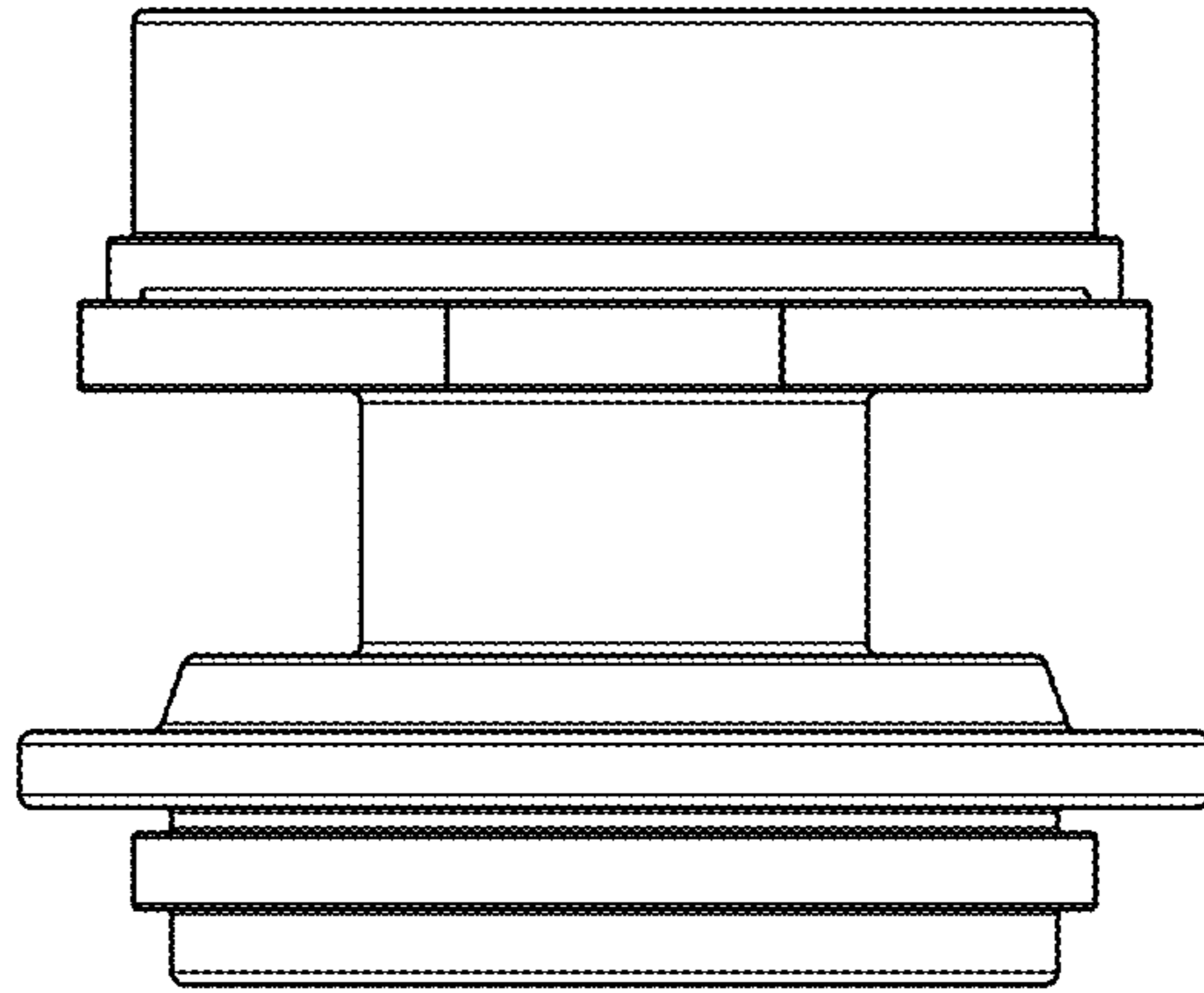


Fig. 2

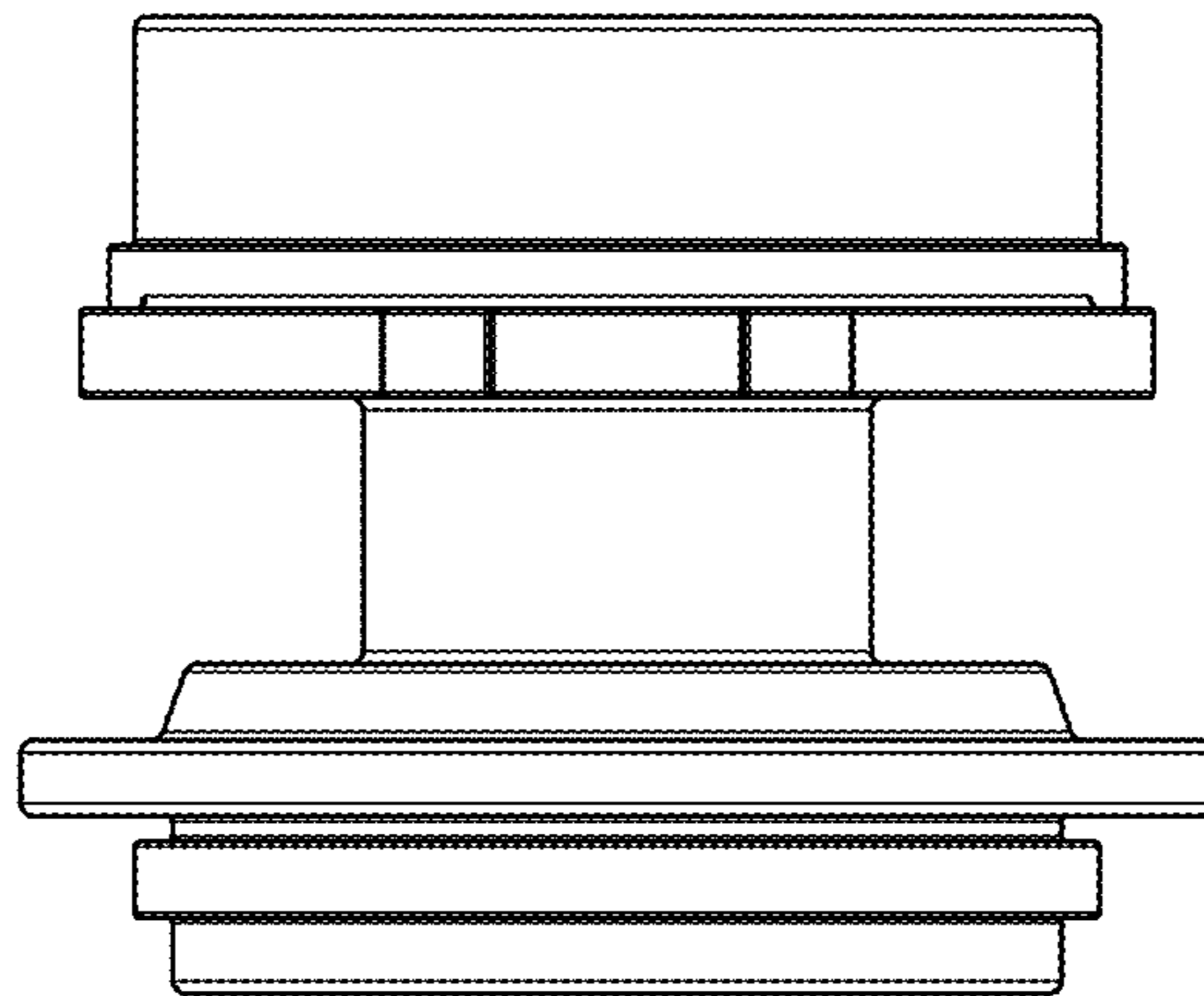


Fig. 3

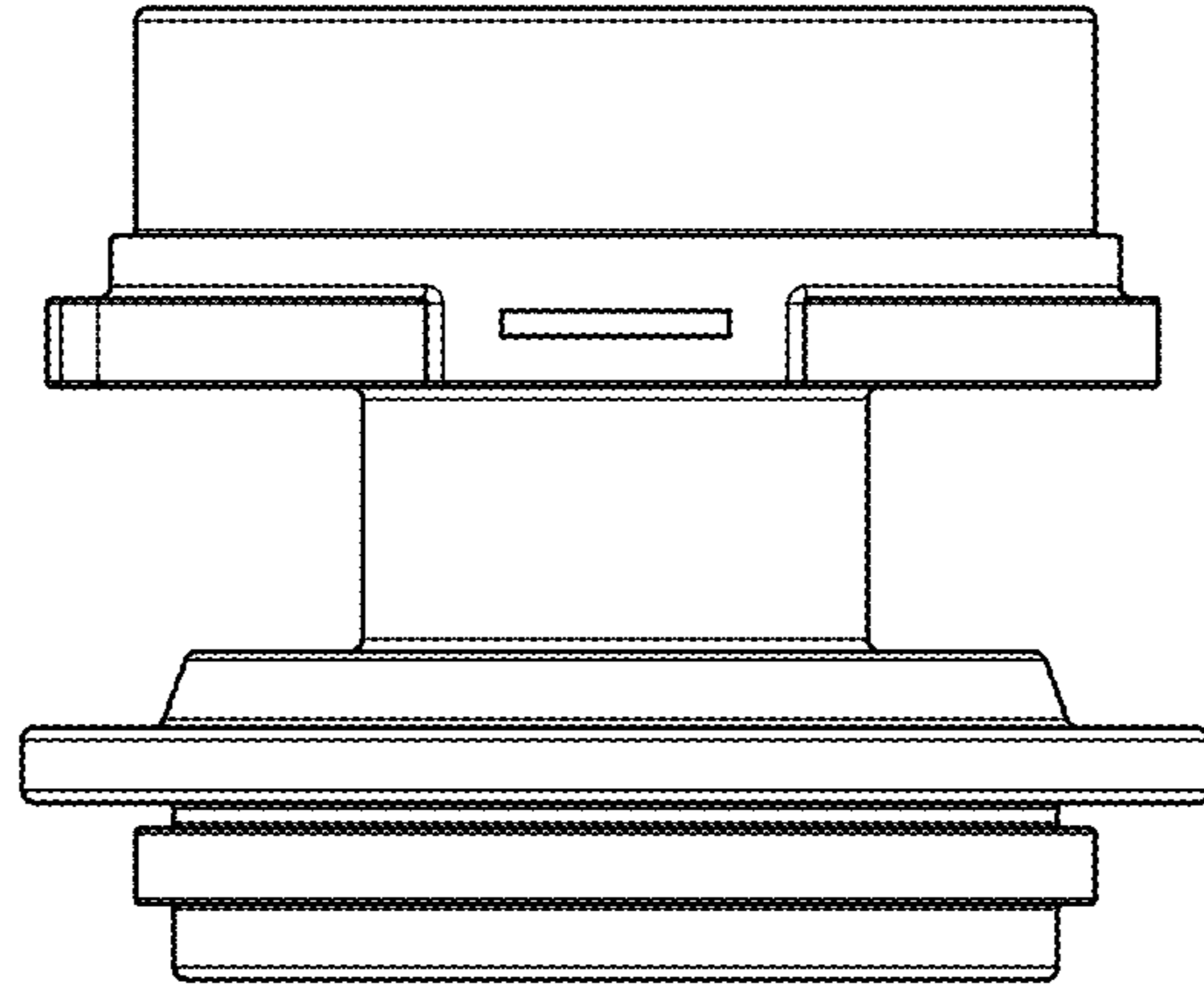


Fig. 4

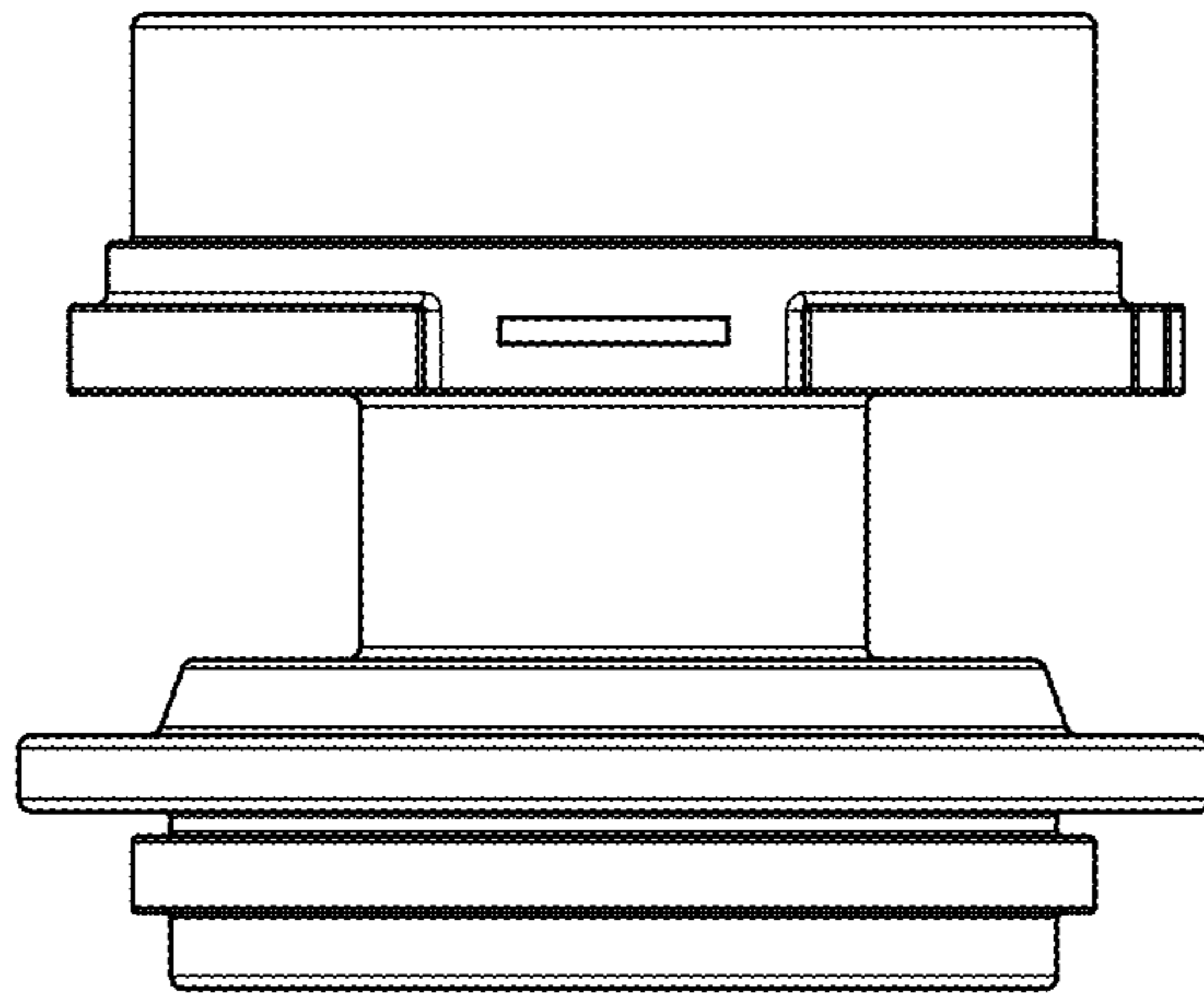


Fig. 5

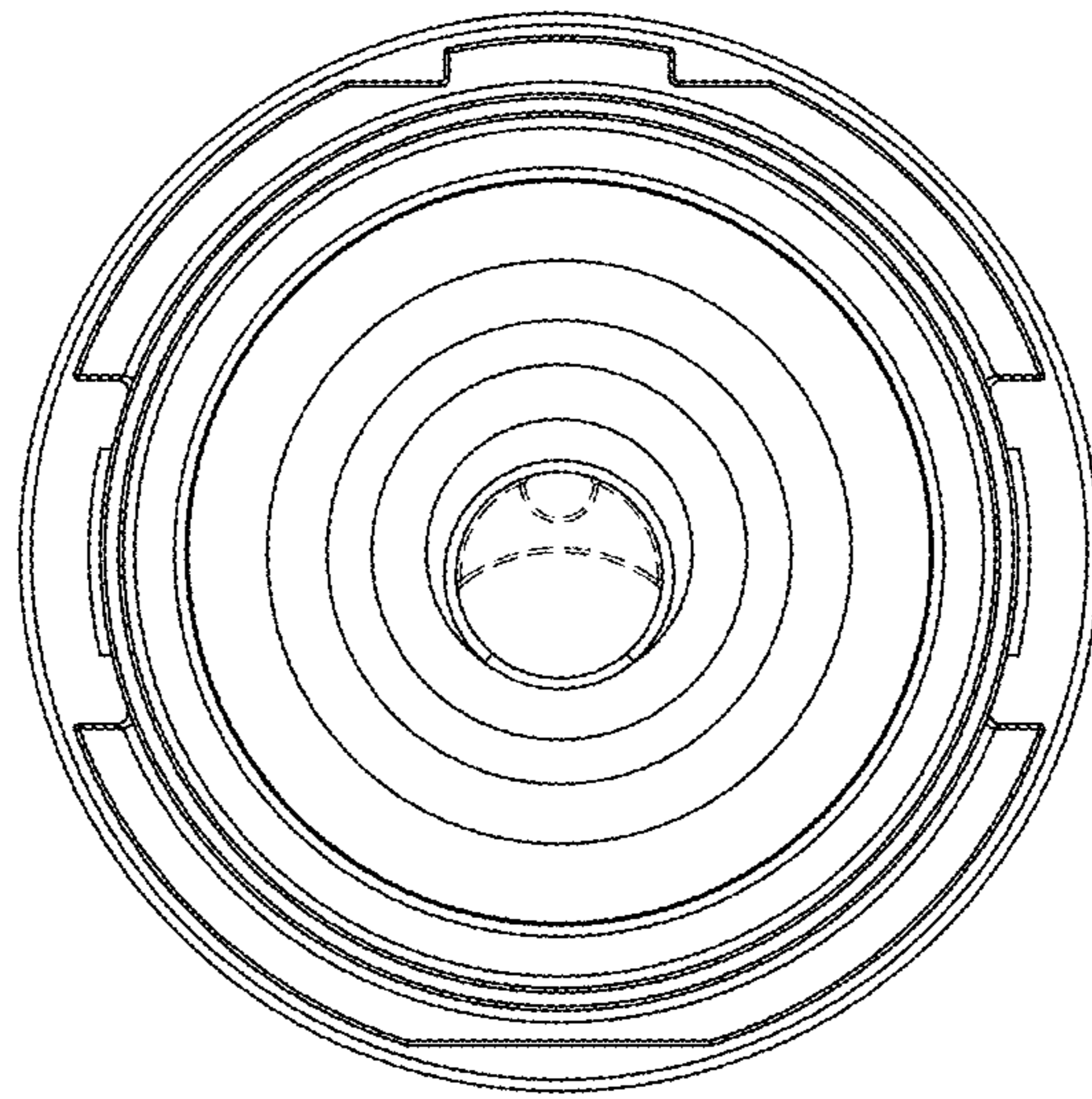


Fig. 6

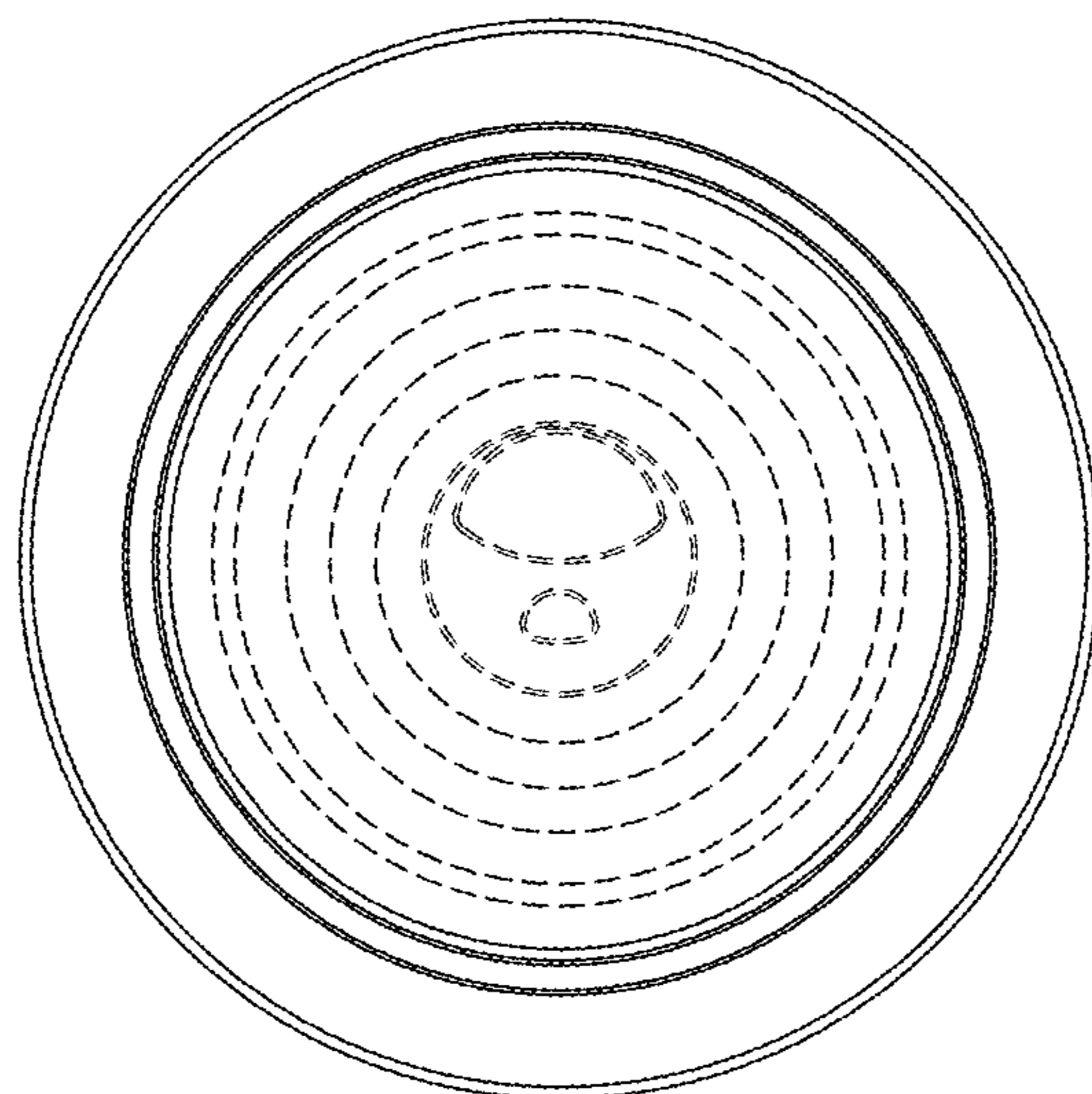


Fig. 7

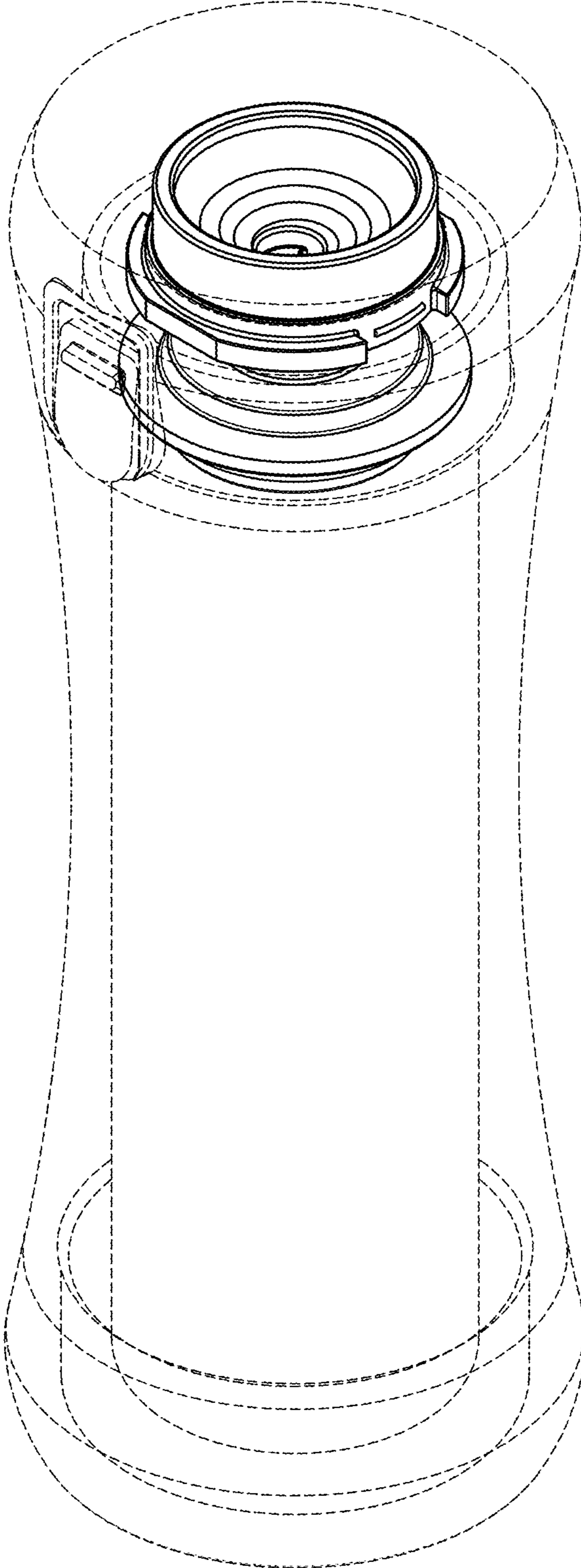


Fig. 8