



US00D872525S

(12) **United States Design Patent**
Hiltenbrand

(10) **Patent No.:** **US D872,525 S**
(45) **Date of Patent:** **** Jan. 14, 2020**

(54) **PEELER**
(71) Applicant: **KUHN RIKON AG**, Rikon im Tösstal (CH)

D708,918 S * 7/2014 Bagley D7/695
D781,669 S * 3/2017 Takabu D7/695
D787,282 S * 5/2017 Wheeler D7/693

(72) Inventor: **Valeria Hiltenbrand**, Winterthur (CH)

(73) Assignee: **Kuhn Rikon AG**, Zurich (CH)

(**) Term: **15 Years**

(21) Appl. No.: **35/505,442**

(22) Filed: **Feb. 8, 2018**

(80) **Hague Agreement Data**

Int. Filing Date: **Feb. 8, 2018**
Int. Reg. No.: **DM/099824**
Int. Reg. Date: **Feb. 8, 2018**
Int. Reg. Pub. Date: **Aug. 10, 2018**

(51) **LOC (12) Cl.** **07-99**

(52) **U.S. Cl.**
USPC **D7/393**

(58) **Field of Classification Search**
USPC D7/368, 381, 387, 393, 412, 414, 665,
D7/666, 693-696, 669, 672-674, 679,
D7/686; D8/98, 99
CPC A47J 19/005; A47J 19/00; A47J 17/02; A47J
17/00; A47J 43/25
See application file for complete search history.

(56) **References Cited**

U.S. PATENT DOCUMENTS

D143,694 S * 1/1946 Zimmer D7/695
D272,224 S * 1/1984 Reinhard D7/695
D479,445 S * 9/2003 Chang D7/695
D502,064 S * 2/2005 Lee D7/695
D511,442 S * 11/2005 Lee D7/695
D519,335 S * 4/2006 Ishii D7/695
D536,924 S * 2/2007 Levy D7/393
D609,537 S * 2/2010 Kestenbaum D7/695
D675,890 S * 2/2013 Reay D7/695
D682,632 S * 5/2013 Krus D7/693

OTHER PUBLICATIONS

Pocket Peeler, by Kuhn Rikon, Amazon [online], first available Oct. 1, 2013, [retrieved May 12, 2019]. URL: https://www.amazon.com/Christopher-Kimball-Julienne-Pocket-24066/dp/B07BNP6MDR/ref=sr_1_fmknnull_3?keywords=CHRISTOPHER+KIMBALL+FOR+KUHNR+RIKON+JULIENNE+POCKET+PEELER&qid=1557714652&s=gateway&sr=8-3-fkmnull.*
Kuhn Rikon Straight Pocket Peeler, by Kuhn Rikon, Amazon [online], date first available Oct. 1, 2013, [retrieved on Sep. 19, 2019]. Retrieved from the Internet, URL: <https://www.amazon.com/Christopher-Kimball-Straight-Pocket-24064/dp/B07BNRZ9M5/>.
Christopher Kimball for Kuhn Rikon Collection, us.kuhnrikon2 [online], date created Jan. 19, 2018, [retrieved on Sep. 19, 2019]. Retrieved from the Internet, https://us.kuhnrikon.com/dam/jcr:3425c1be-6e54-4629-8079-7521540283f4/CK_Kimball_Brochure_vf_LORES.pdf.

* cited by examiner

Primary Examiner — Nicole C Shiflet
(74) *Attorney, Agent, or Firm* — The Webb Law Firm

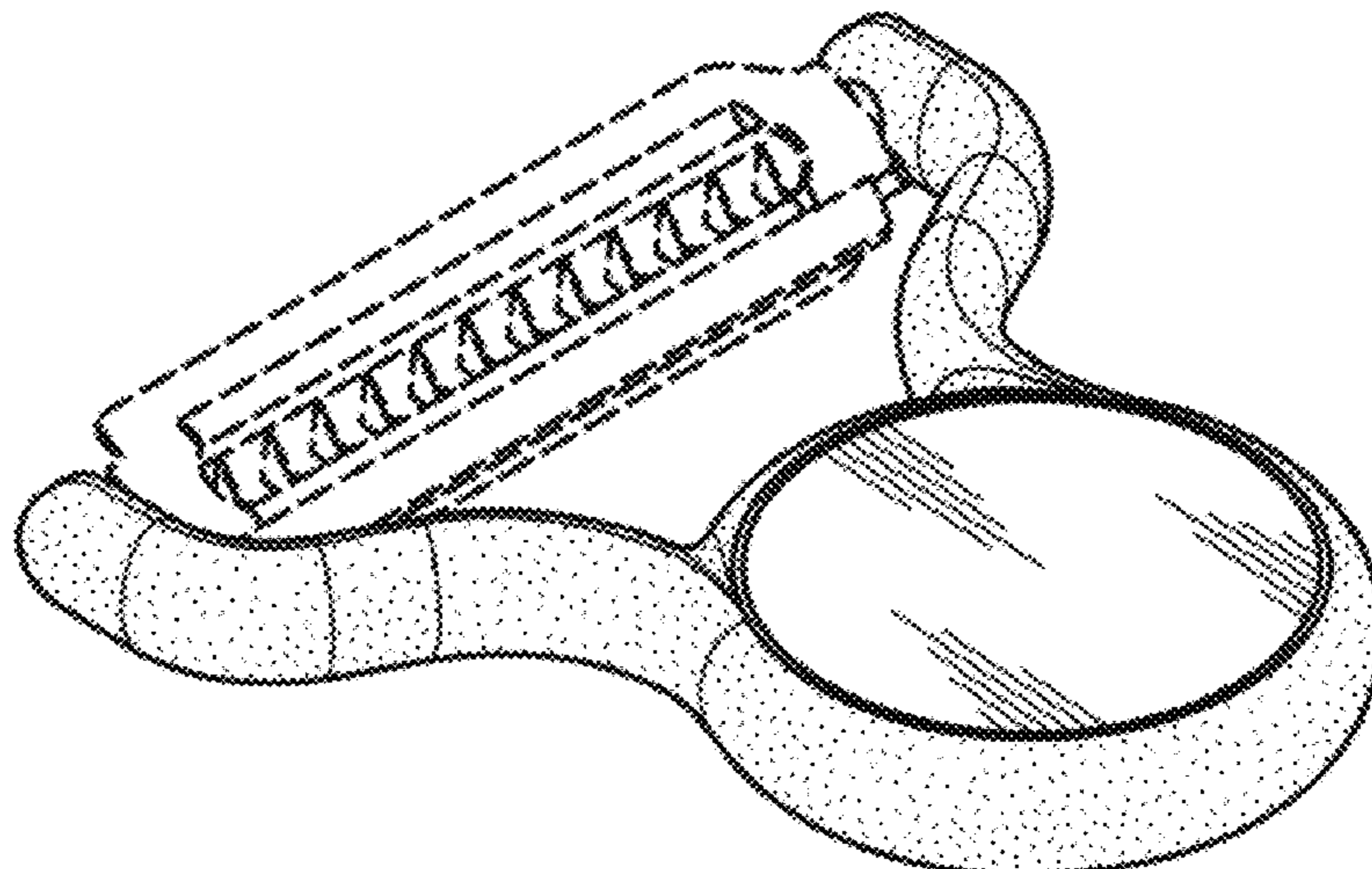
(57) **CLAIM**

The ornamental design for a peeler, as shown and described.

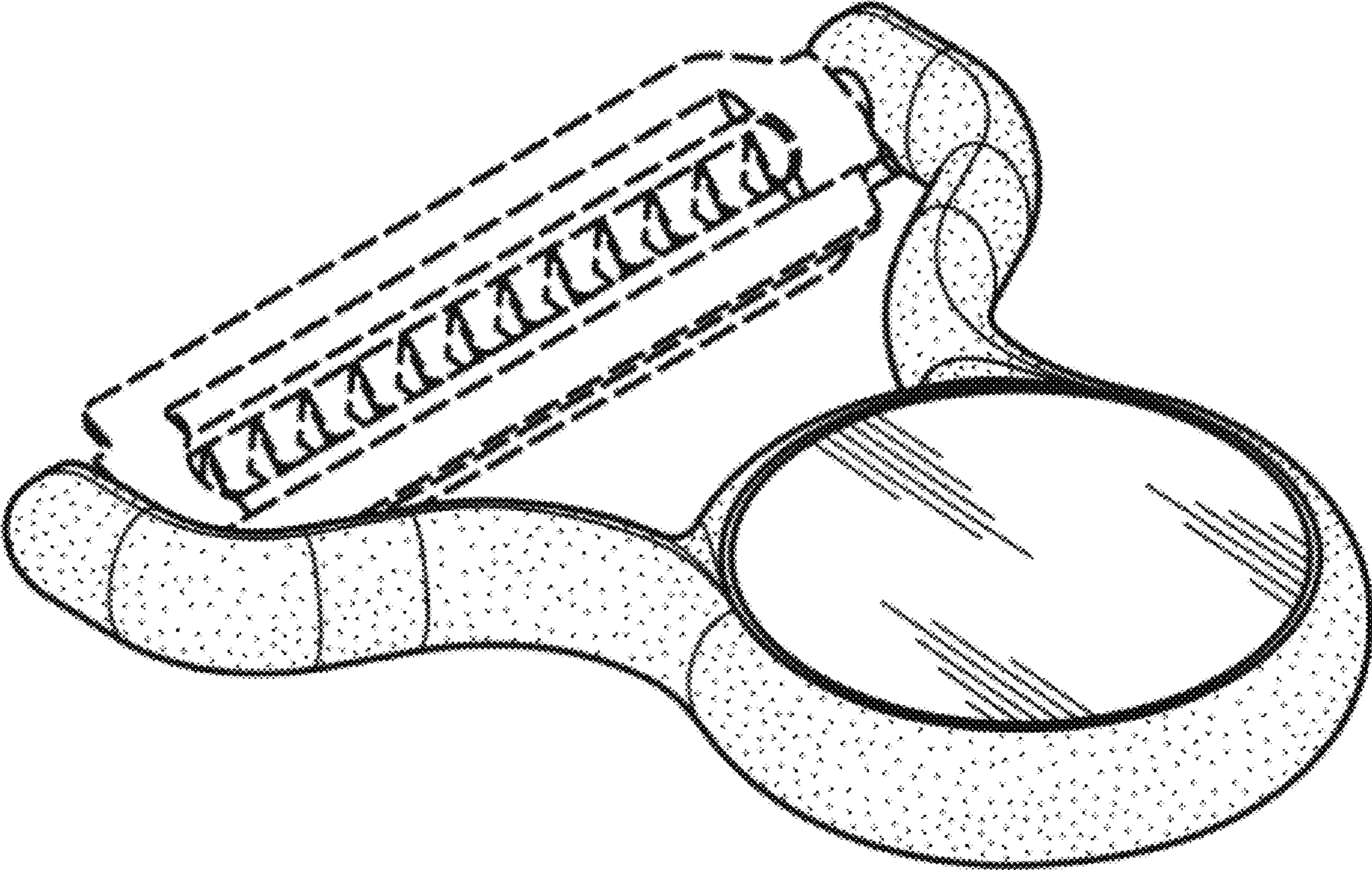
DESCRIPTION

1. Peeler
1.1 is a bottom front perspective view of a peeler showing my new design;
1.2 is a front elevation view thereof;
1.3 is a rear elevation view thereof;
1.4 is a left side view thereof;
1.5 is a right side view thereof;
1.6 is a top view thereof; and
1.7 is a bottom view thereof.
The parts shown by means of broken thick lines in the reproductions are not part of the claimed design.

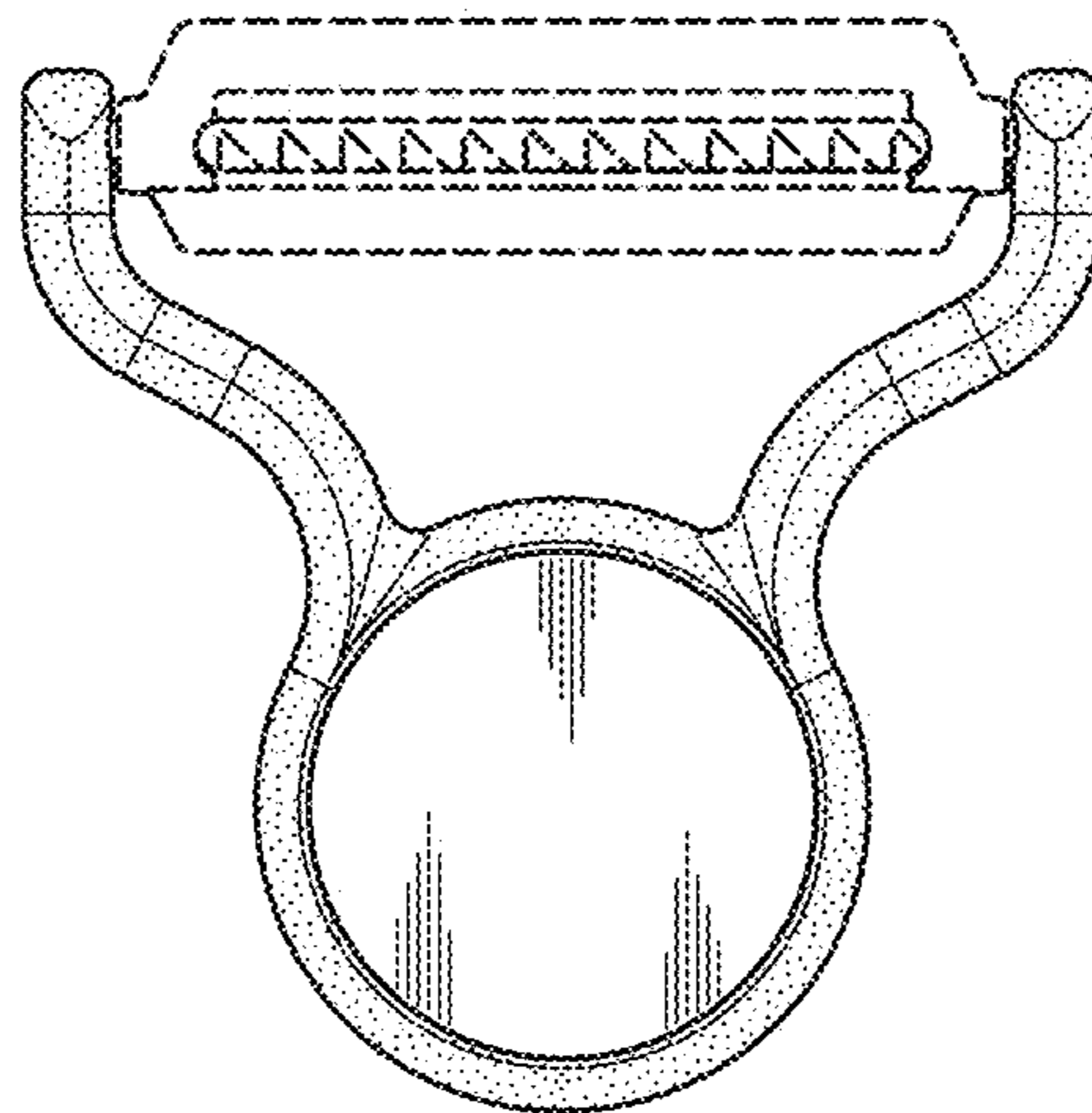
1 Claim, 7 Drawing Sheets



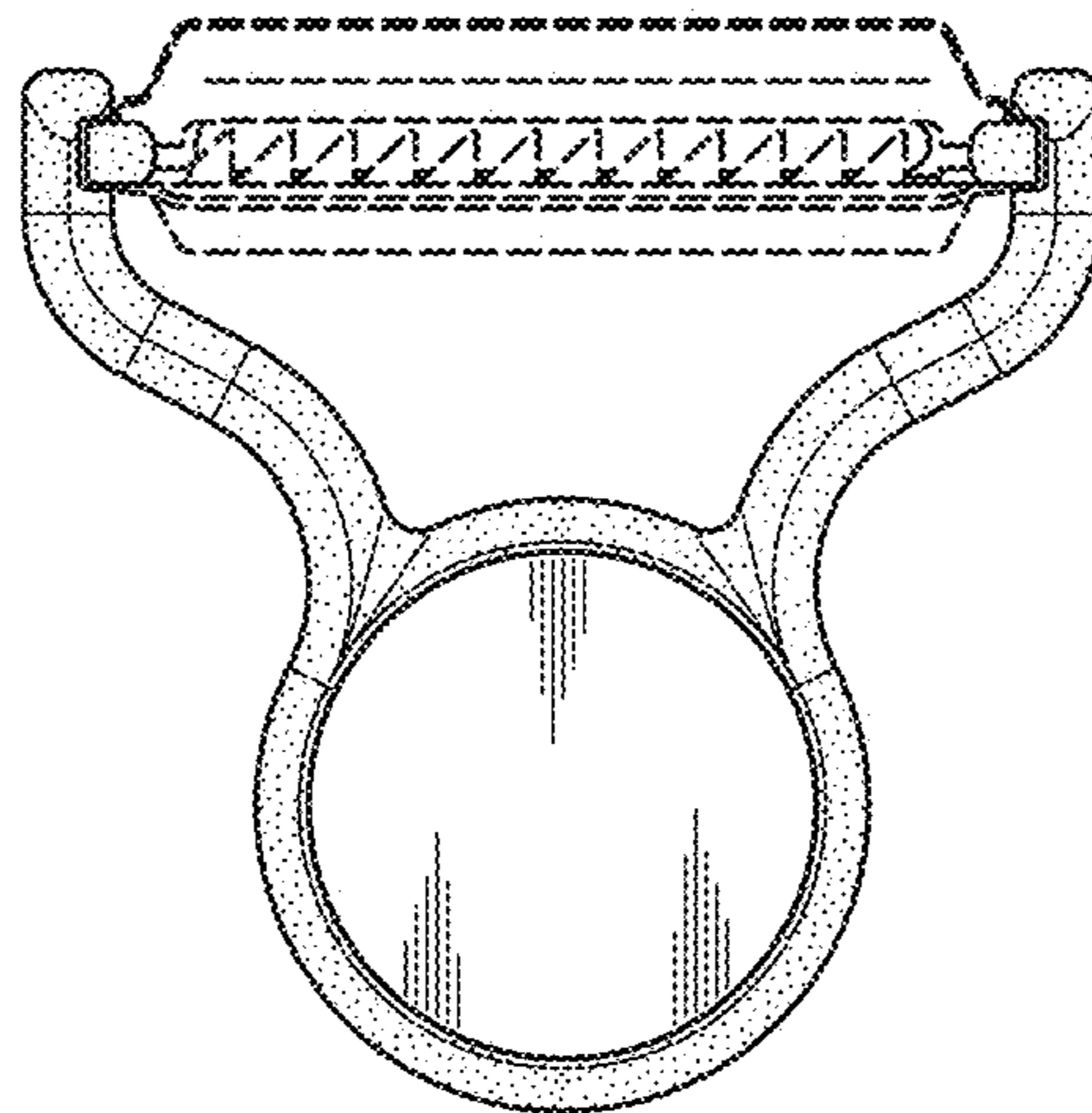
1.1



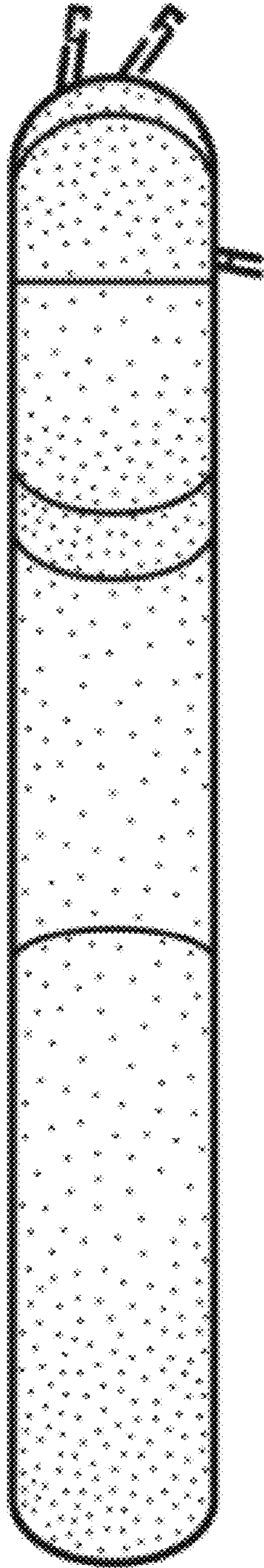
1.2



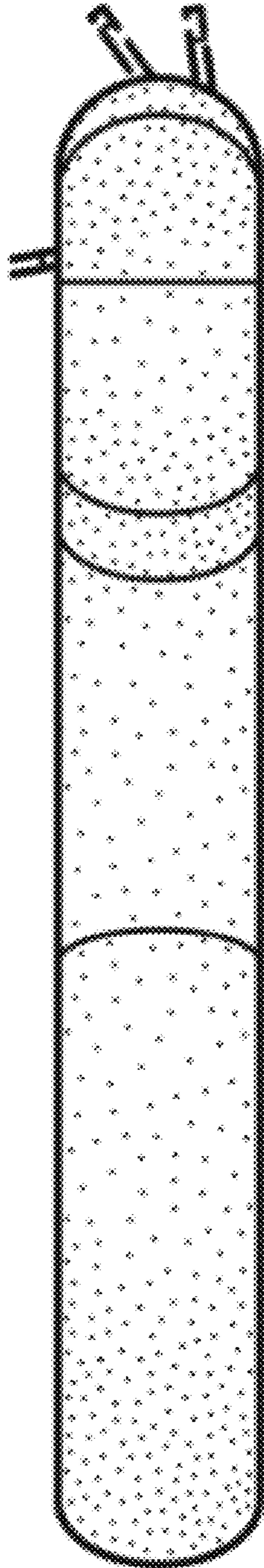
1.3



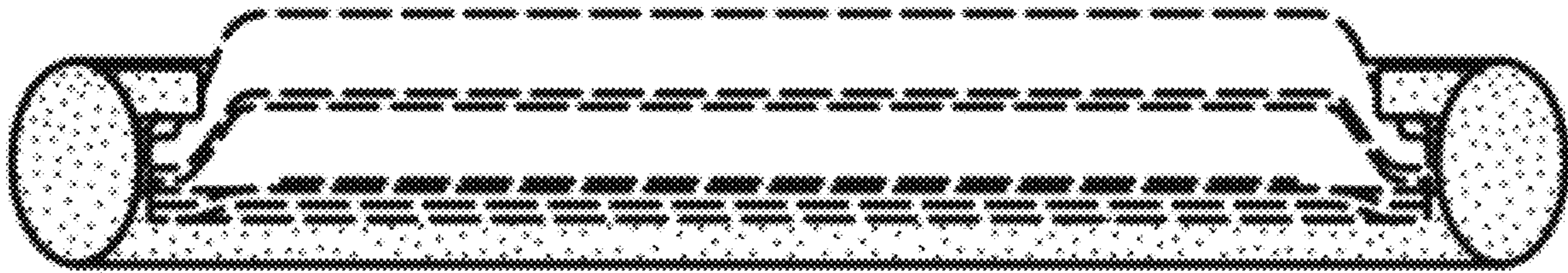
1.4



1.5



1.6



1.7

