



US00D872524S

(12) **United States Design Patent** (10) **Patent No.:** **US D872,524 S**
Bo (45) **Date of Patent:** **** Jan. 14, 2020**

(54) **LID**
(71) Applicant: **Yongkang Qiqing Industry and Trade Co., Ltd., Yongkang (CN)**
(72) Inventor: **Zhang Bo, Gongxian (CN)**
(**) Term: **15 Years**
(21) Appl. No.: **29/697,305**
(22) Filed: **Jul. 8, 2019**
(51) **LOC (12) Cl.** **07-99**
(52) **U.S. Cl.**
USPC **D7/392.1; D9/439; D9/443**
(58) **Field of Classification Search**
USPC D9/414, 434-436, 438-440, 443-457, D9/499, 503-505, 682, 685, 686; D7/387, 391, 392, 392.1, 396.2-396.4, D7/401.1, 507, 509-511, 538, 900; D3/202, 203.2, 318; D28/91.1
CPC .. A61J 1/00; A61J 1/1412; B65D 1/00; B65D 1/02; B65D 1/10; B65D 1/46; B65D 5/46; B65D 41/00; B65D 41/38; B65D 41/56; B65D 41/62; B65D 47/00; B65D 47/06; B65D 47/08; B65D 2251/00; B65D 2543/00046; B65D 2543/00092; B65D 2543/00296; B65D 2585/56; B65D 2585/545
See application file for complete search history.

(56) **References Cited**
U.S. PATENT DOCUMENTS
D547,607 S * 7/2007 Forsman D7/396.2
D614,440 S * 4/2010 Cresswell D7/392.1
D616,743 S * 6/2010 Cresswell D9/443
D649,879 S * 12/2011 Gullickson D9/443
D654,793 S * 2/2012 Rosbach D9/436
D677,119 S * 3/2013 Ying D7/392.1
D679,541 S * 4/2013 Samartgis
D680,431 S * 4/2013 Hopkins D9/443

D683,581 S * 6/2013 Archer D7/392.1
D685,606 S * 7/2013 Keys D7/392.1
D686,870 S * 7/2013 Young
D704,986 S * 5/2014 Manies D7/392.1
D752,916 S * 4/2016 Goodwin D7/392.1
D760,080 S * 6/2016 Gorbald
D767,337 S * 9/2016 Boroski et al.
D786,012 S * 5/2017 Hein et al.
D792,215 S * 7/2017 Eyal D7/392.1
D799,320 S * 10/2017 Goodwin D7/392.1
9,776,777 B2 * 10/2017 Gorbald B65D 51/242
D806,468 S * 1/2018 Goodwin D7/392.1
D811,162 S * 2/2018 Rane D7/396.2
D811,818 S * 3/2018 Wu D7/510
D812,428 S * 3/2018 Wu D7/510
D812,966 S * 3/2018 Murosky D7/392.1
D835,938 S * 12/2018 Zou D7/392.1

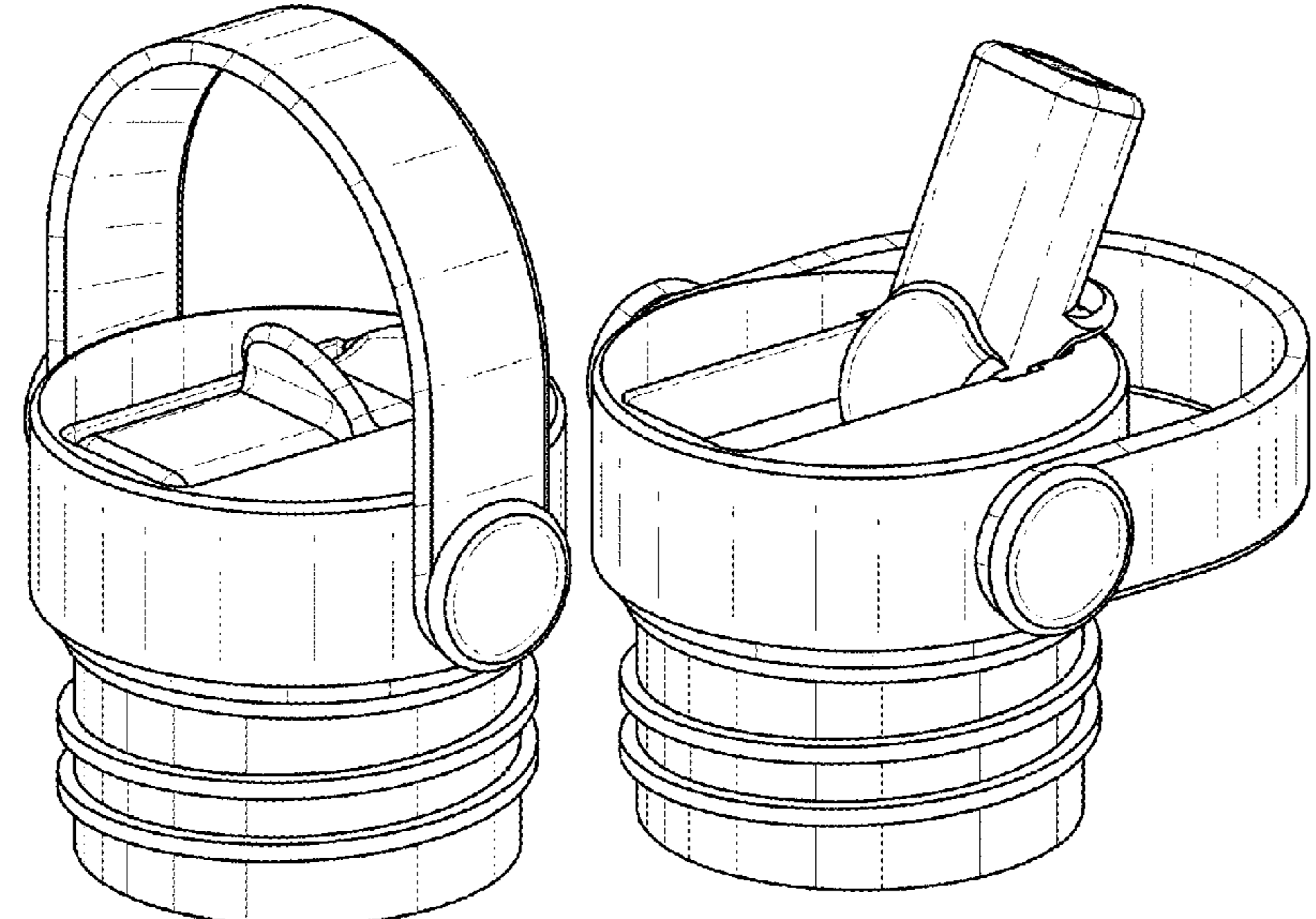
(Continued)

Primary Examiner — Michael A. Pratt
Assistant Examiner — Wendy L Arminio
(74) *Attorney, Agent, or Firm* — Wayne V. Harper

(57) **CLAIM**
I claim the ornamental design for a lid, as shown and described.

DESCRIPTION
FIG. 1 is a Perspective view of a lid showing my new design in a closed configuration;
FIG. 2 is another Perspective view of the lid of FIG. 1, shown in an open configuration;
FIG. 3 is a right side view thereof;
FIG. 4 is a front view of the lid of FIG. 1;
FIG. 5 is a Back view thereof;
FIG. 6 is a Right-side view thereof;
FIG. 7 is a Left-side view thereof;
FIG. 8 is a Top view thereof; and,
FIG. 9 is a Bottom view thereof.
The broken lines are only for environmental purposes and form no part of the claimed design.

1 Claim, 8 Drawing Sheets



(56)

References Cited

U.S. PATENT DOCUMENTS

D844,376 S * 4/2019 Rosette D7/392
D849,482 S * 5/2019 Diener D7/510
D853,236 S * 7/2019 Yao D9/436
D855,388 S * 8/2019 Potter D7/392
D857,446 S * 8/2019 Bell D7/392.1
2016/0318693 A1* 11/2016 Hein B65D 41/0442

* cited by examiner

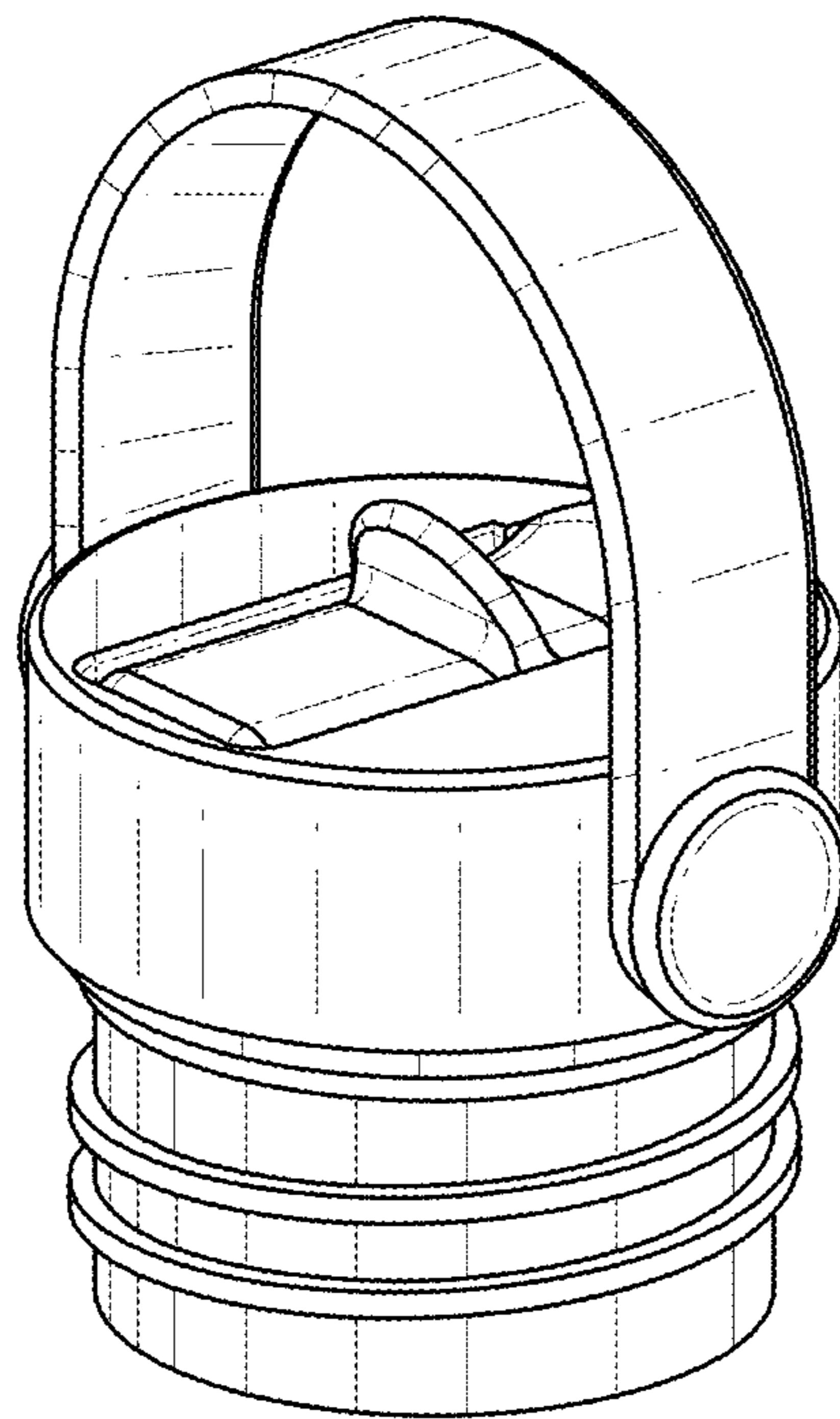


FIG. 1

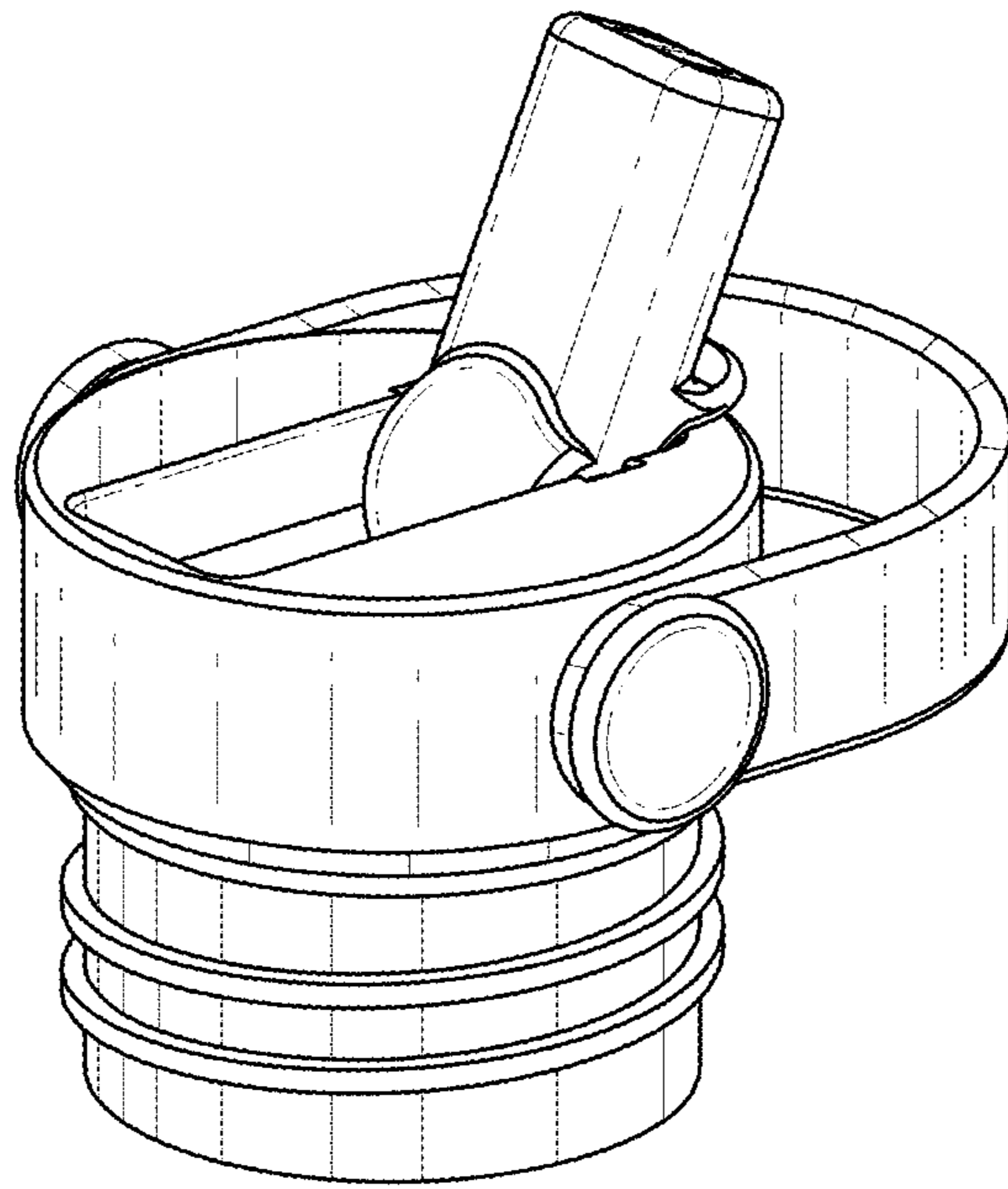


FIG. 2

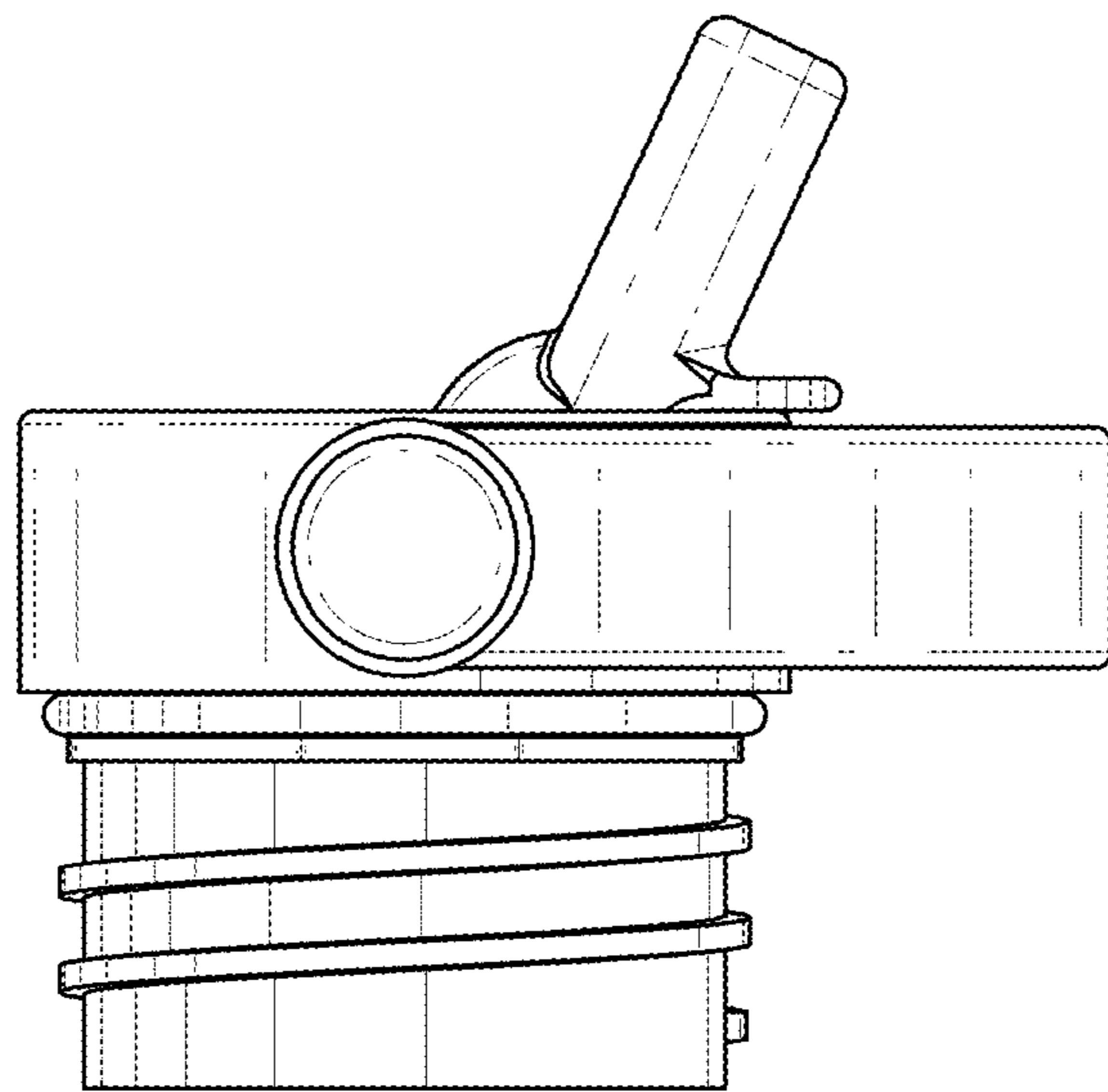


FIG. 3

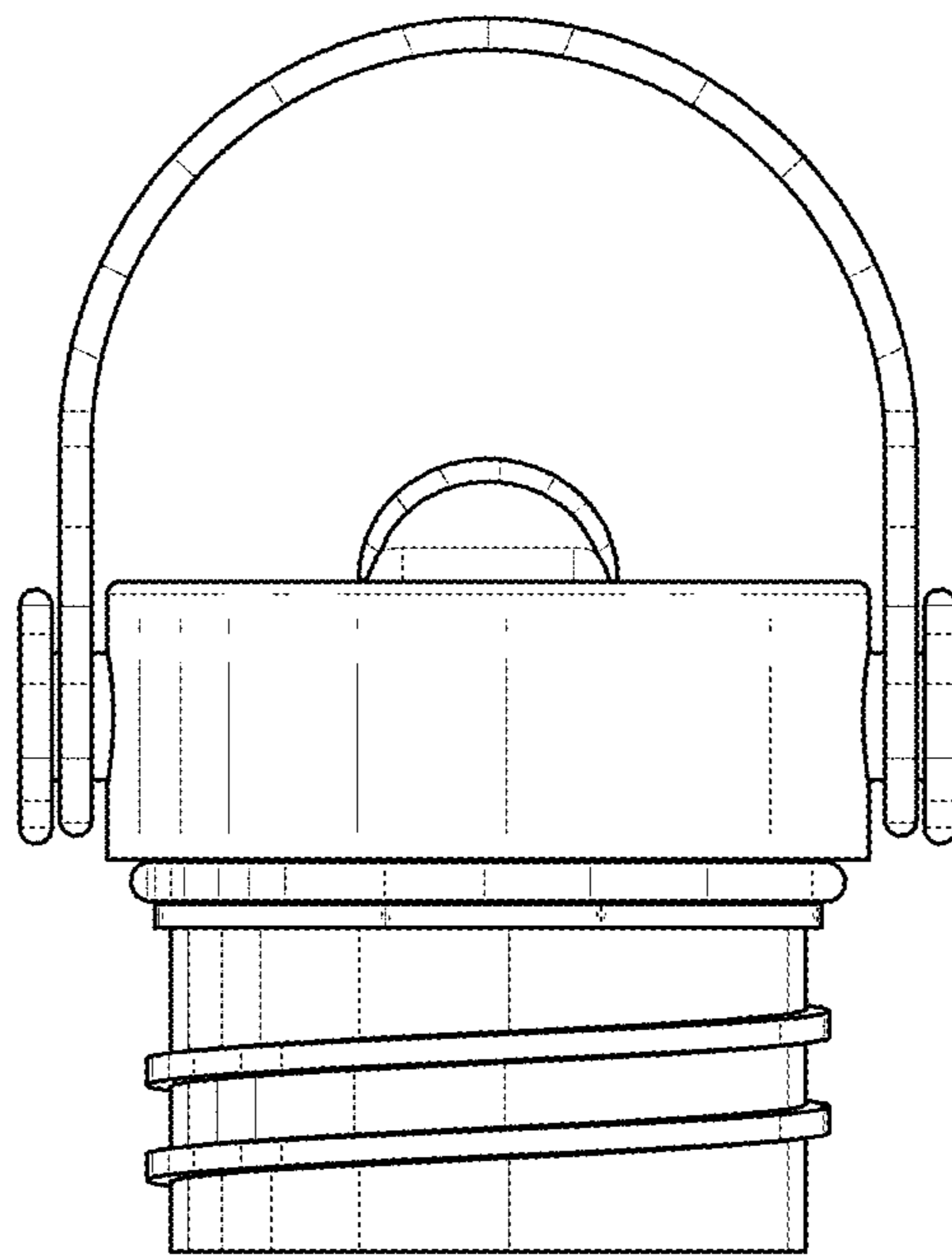


FIG. 4

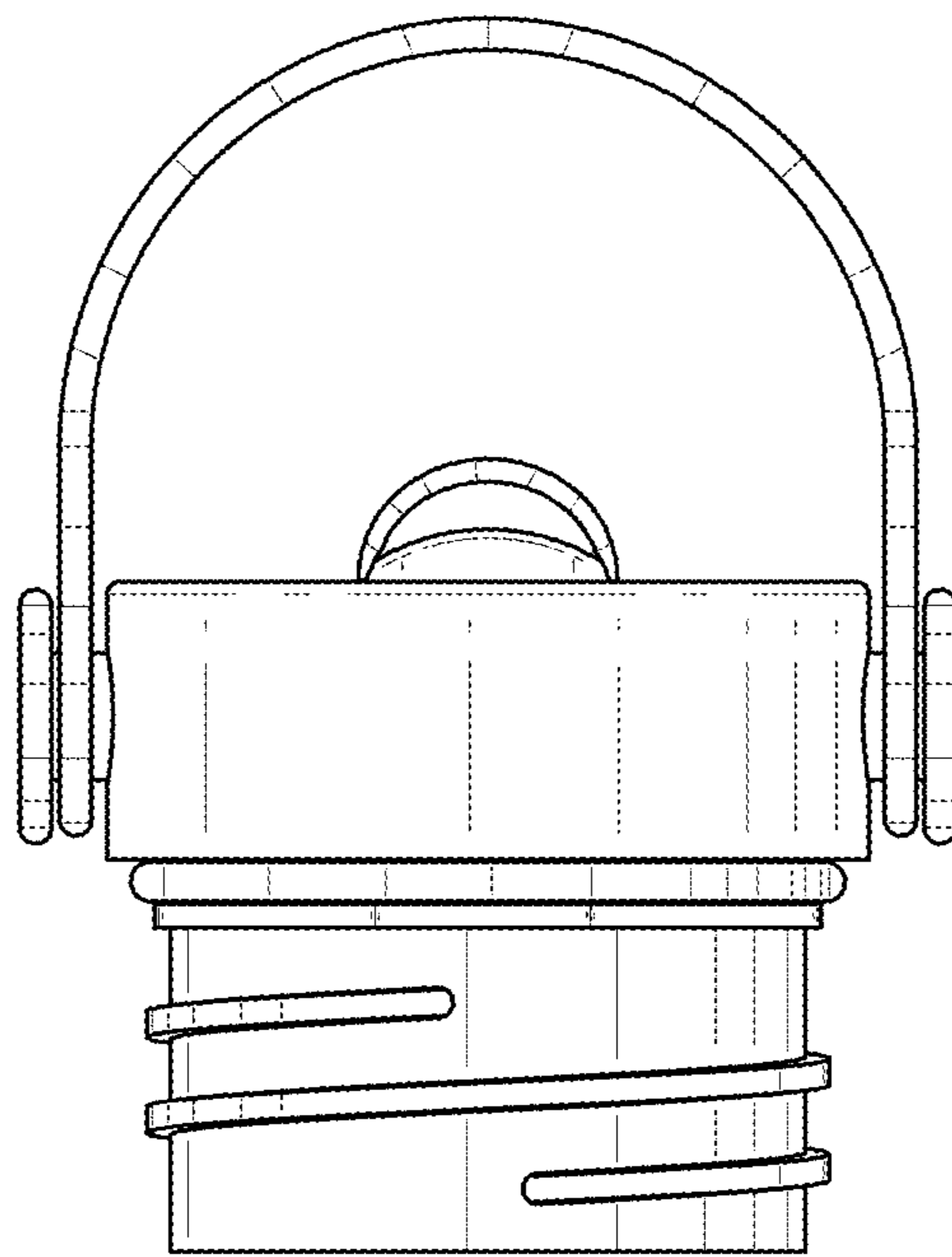


FIG. 5

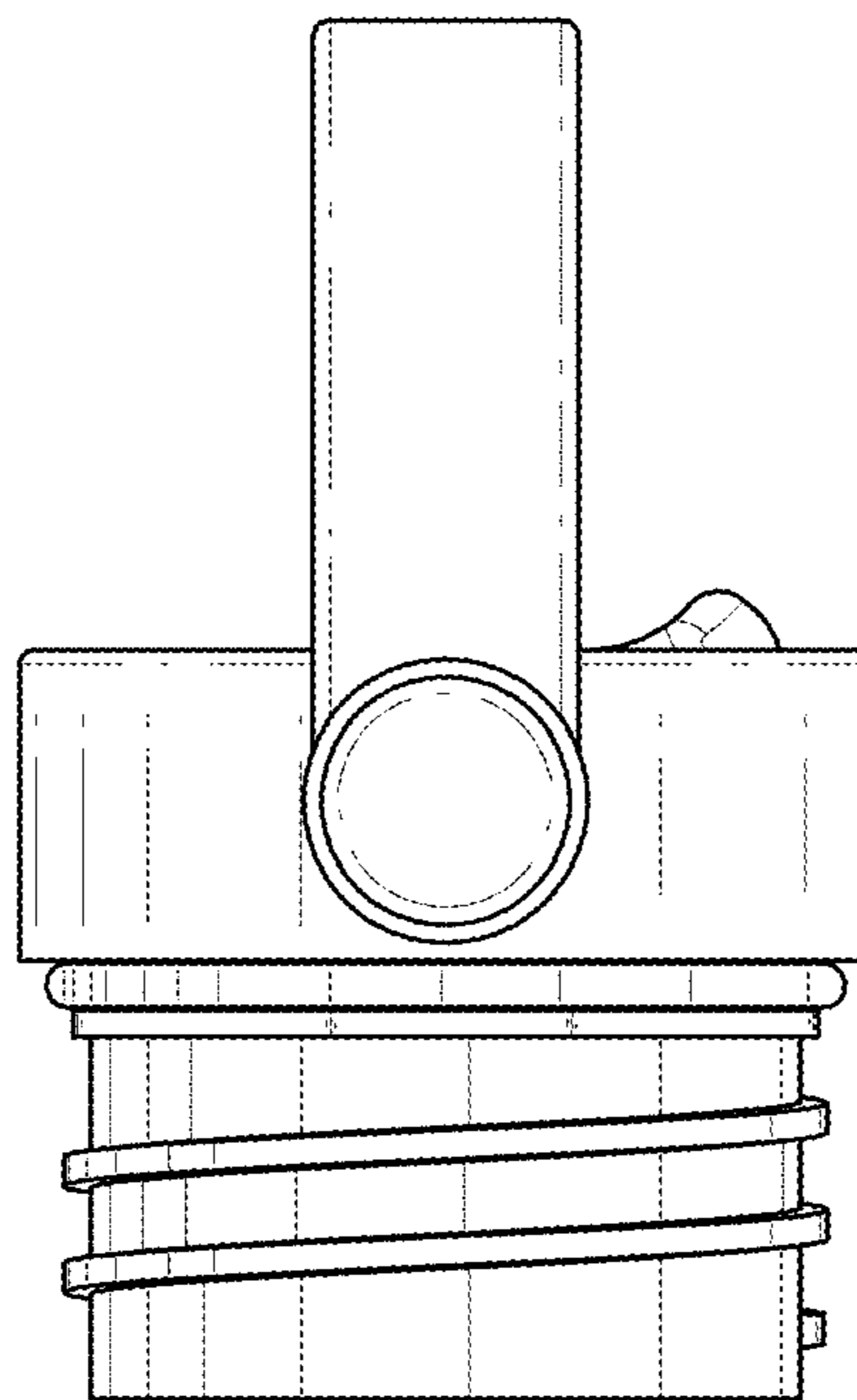


FIG. 6

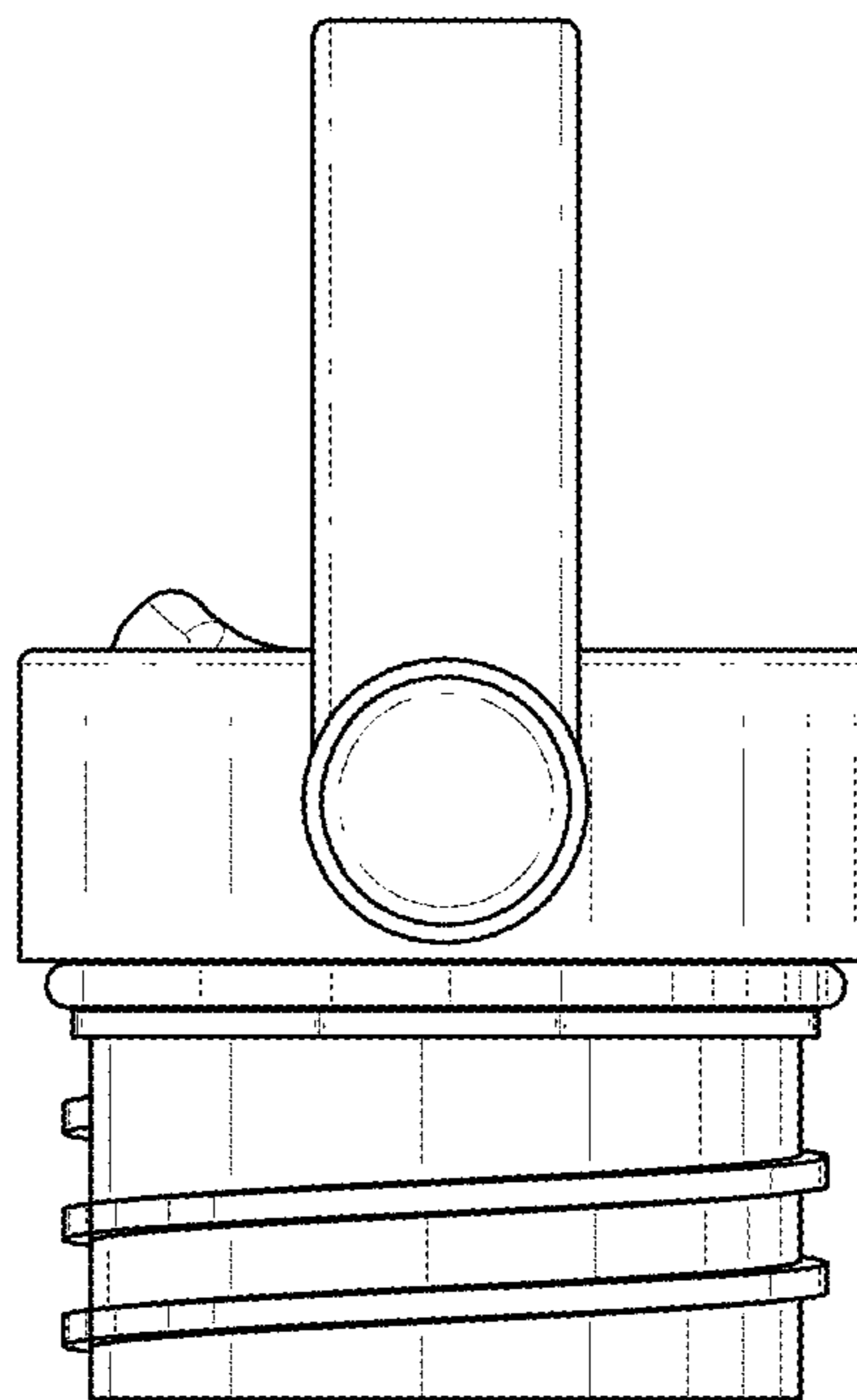


FIG. 7

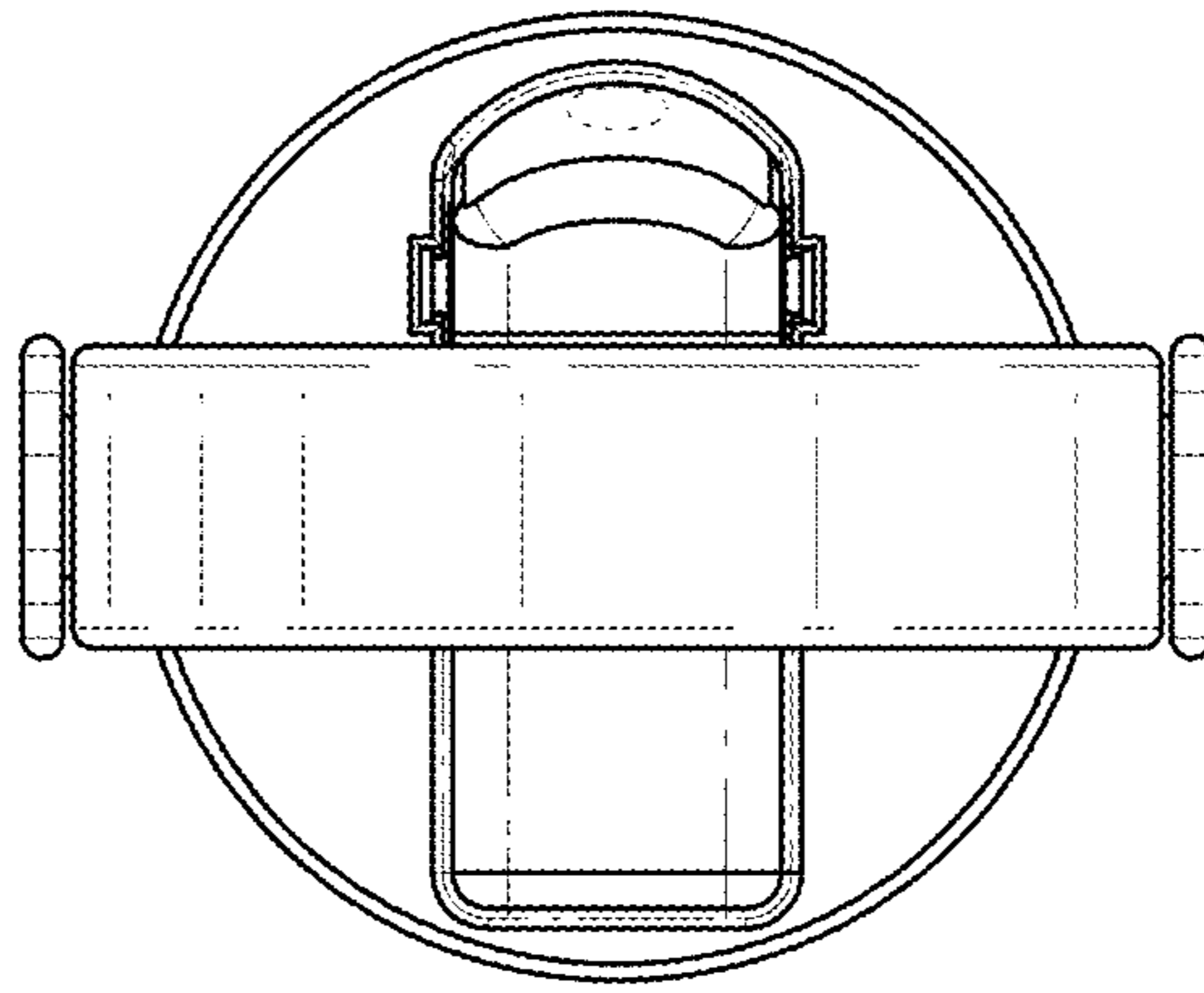


FIG. 8

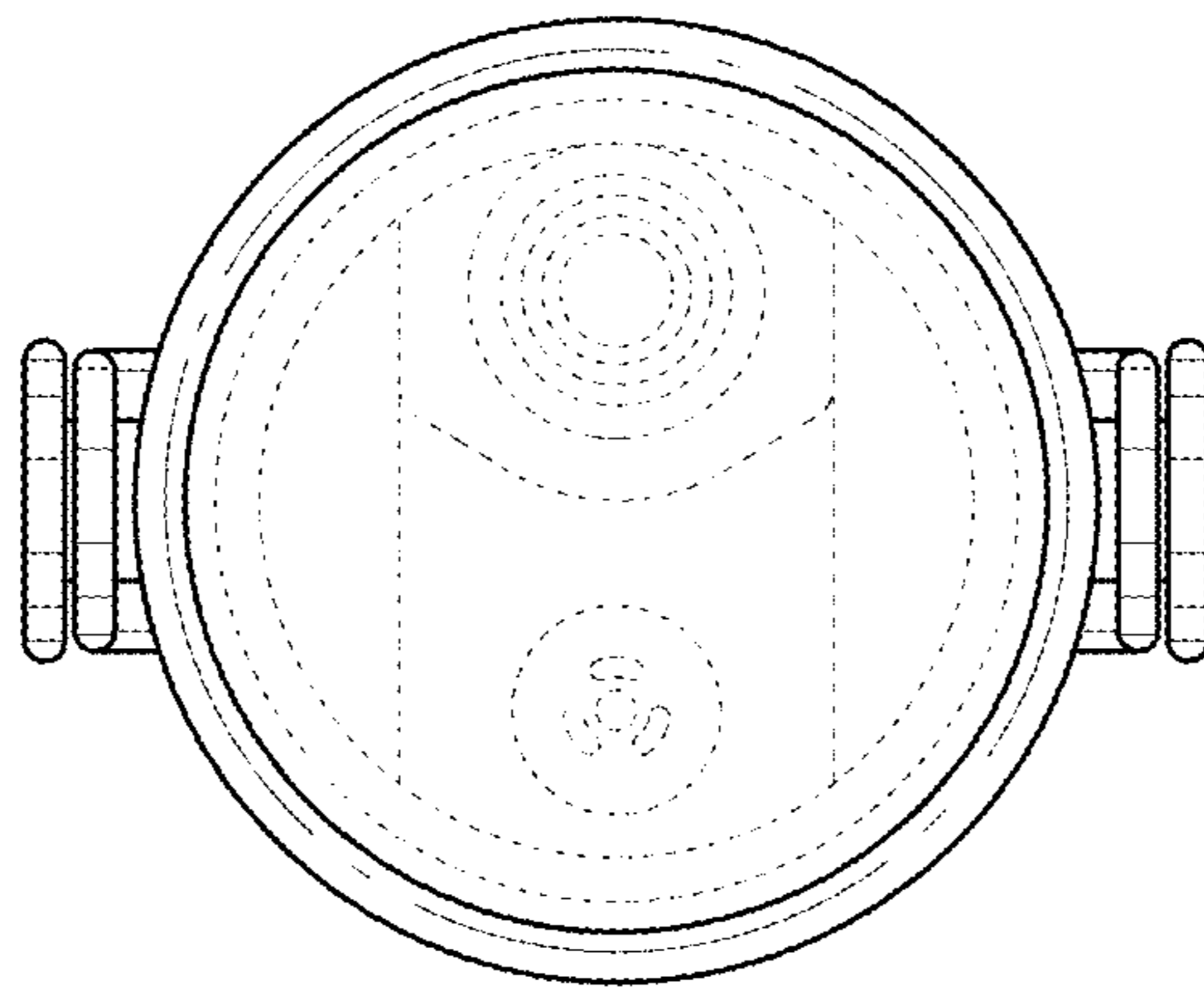


FIG. 9