



US00D872522S

(12) **United States Design Patent** (10) **Patent No.:** **US D872,522 S**  
**Diener et al.** (45) **Date of Patent:** **\*\* Jan. 14, 2020**

- (54) **BOTTLE LID**
- (71) Applicants: **Ryan Diener**, Bend, OR (US); **Shelley Palozzolo**, Bend, OR (US)
- (72) Inventors: **Ryan Diener**, Bend, OR (US); **Shelley Palozzolo**, Bend, OR (US)
- (73) Assignee: **HELEN OF TROY LIMITED**, St. Michael (BB)
- (\*\*) Term: **15 Years**
- (21) Appl. No.: **29/647,935**
- (22) Filed: **May 16, 2018**
- (51) **LOC (12) Cl.** ..... **07-01**
- (52) **U.S. Cl.**  
USPC ..... **D7/392.1; D7/396.2; D9/447; D9/449; D9/450**
- (58) **Field of Classification Search**  
USPC ..... D7/387, 392.1, 396.2, 393, 394, 397, D7/398, 213, 900, 507, 523, 532, 510, D7/511, 529, 533, 536, 534, 524, 537, D7/514, 515, 522, 412, 376, 309, 317, D7/305, 665, 300.1, 300.2; D9/435, 436, D9/443, 442, 444, 449, 450, 437, 447; D24/197  
CPC ..... A47G 19/2205; A47G 19/22; A47J 43/27; A47J 41/02; A47J 41/0077; A47J 41/0088; A47J 41/028; A47J 31/407; A47J 31/40; A45F 3/16; B65D 85/804; B65D 41/04  
See application file for complete search history.

(56) **References Cited**

**U.S. PATENT DOCUMENTS**

- D387,621 S \* 12/1997 Sullivan ..... D7/510
- D649,879 S \* 12/2011 Gullickson ..... D9/443

- D685,606 S \* 7/2013 Keys ..... D7/392.1
- D700,014 S \* 2/2014 Zeanah ..... D7/510
- D704,986 S \* 5/2014 Manies ..... D7/392.1
- D720,218 S \* 12/2014 Hutson ..... D9/443
- D786,012 S \* 5/2017 Hein ..... D7/396.2
- D799,320 S \* 10/2017 Goodwin ..... D7/392.1
- D806,468 S \* 1/2018 Goodwin ..... D7/392.1
- D812,966 S \* 3/2018 Murosky ..... D7/392.1
- D814,855 S \* 4/2018 Hammer ..... D7/392.1
- D823,061 S \* 7/2018 Murosky ..... D7/510
- D838,549 S \* 1/2019 Gu ..... D7/510
- D842,646 S \* 3/2019 Silsby ..... D7/396.2
- D844,376 S \* 4/2019 Rosette ..... D7/392
- D849,482 S \* 5/2019 Diener ..... D7/510
- 2006/0226110 A1 \* 10/2006 Choi ..... A47G 19/2266  
215/228
- 2014/0138395 A1 \* 5/2014 Joy ..... A47G 19/2266  
220/715
- 2016/0318693 A1 \* 11/2016 Hein ..... B65D 41/0442
- 2018/0362221 A1 \* 12/2018 Hooks ..... B65D 41/04

\* cited by examiner

*Primary Examiner* — Jae Liang

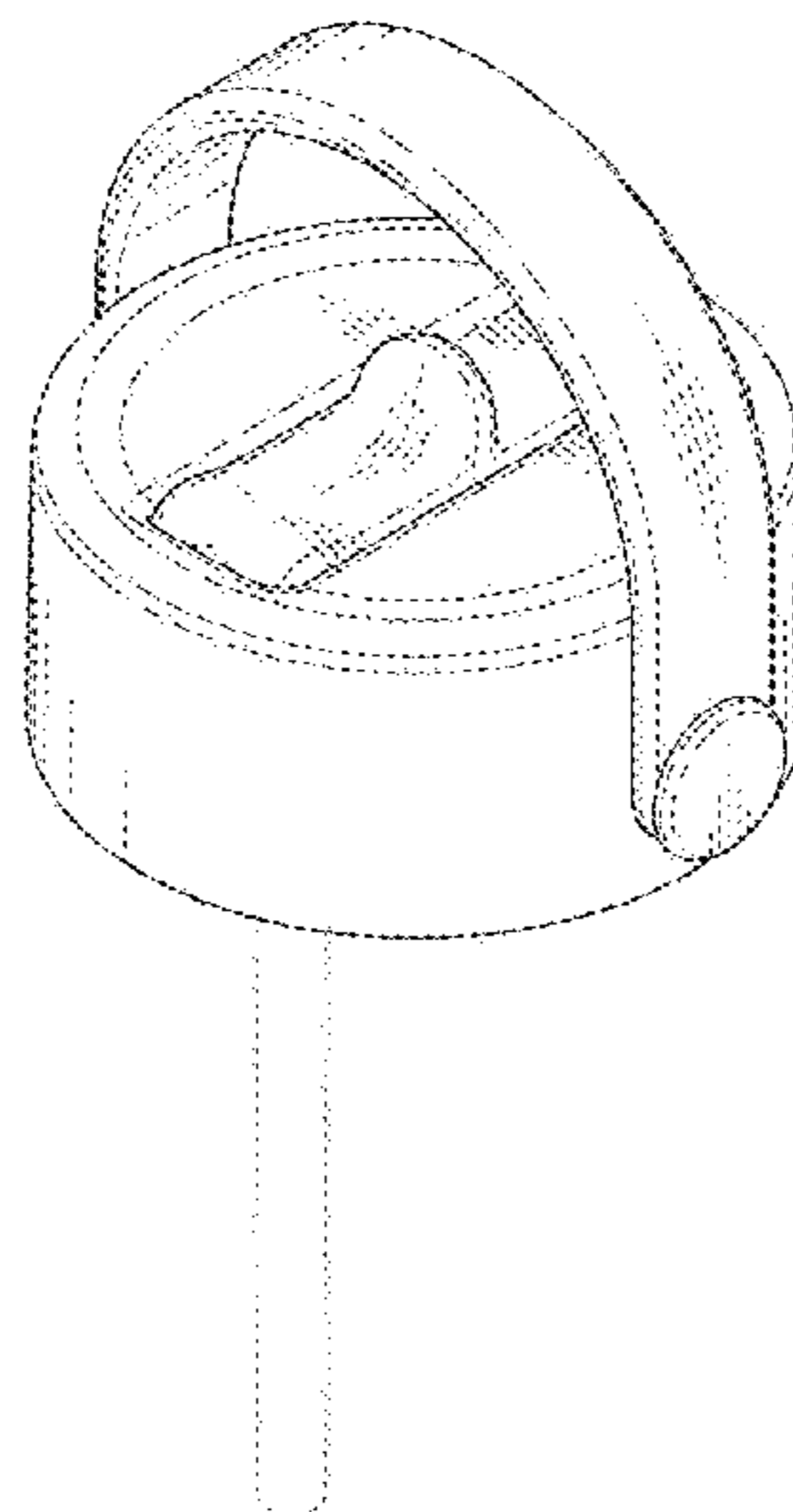
(57) **CLAIM**

The ornamental design for a bottle lid, as shown, and described.

**DESCRIPTION**

FIG. 1 is a top perspective view of a bottle lid showing our new design;  
 FIG. 2 is a front elevation view thereof;  
 FIG. 3 is a rear elevation view thereof;  
 FIG. 4 is a top view thereof;  
 FIG. 5 is a bottom view thereof;  
 FIG. 6 is a left side view thereof (with the right side a mirror image thereof); and,  
 FIG. 7 is a bottom perspective view thereof.  
 The broken lines represent unclaimed environment and form no part of the claimed design.

**1 Claim, 7 Drawing Sheets**



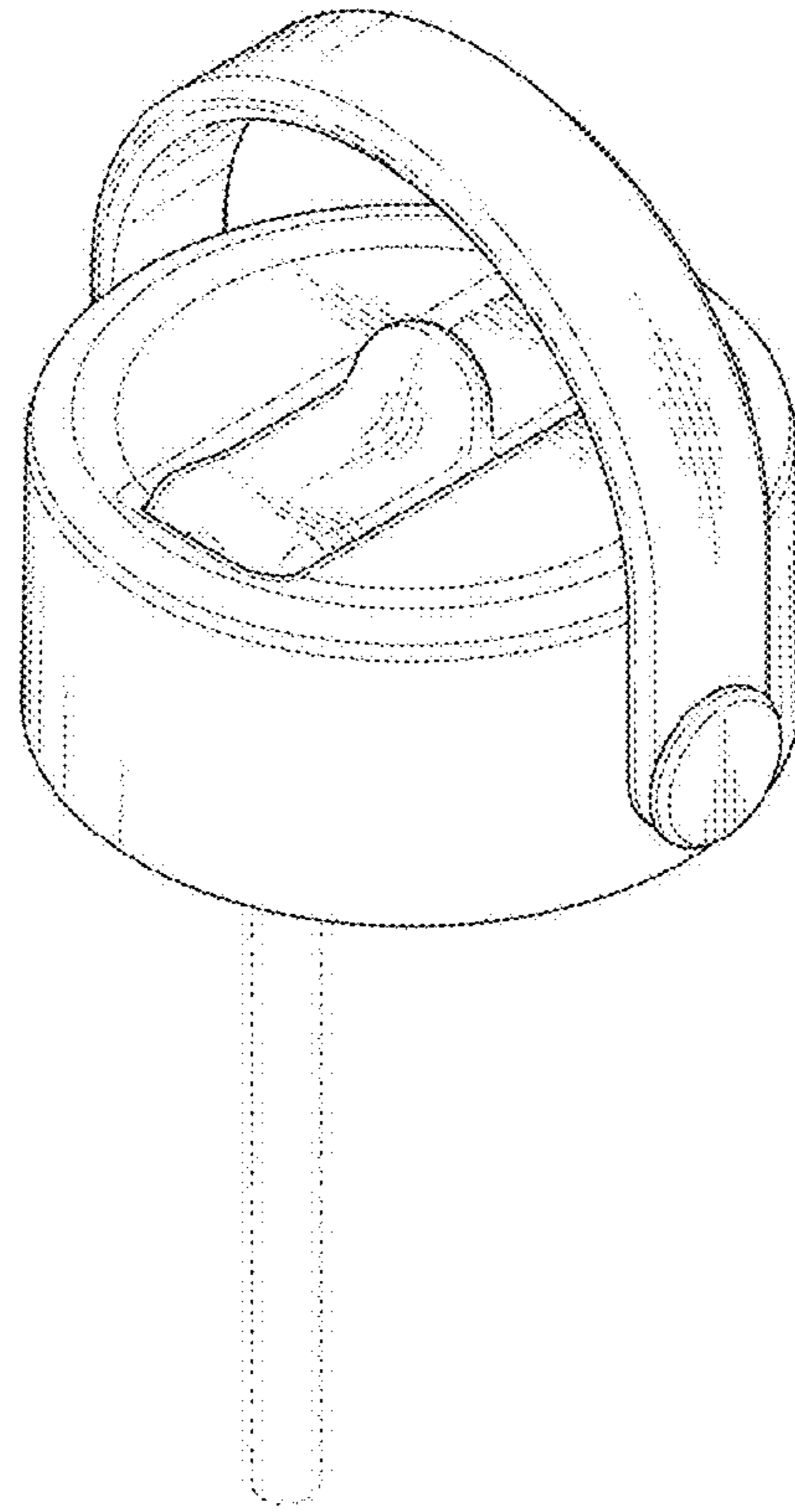


FIG. 1

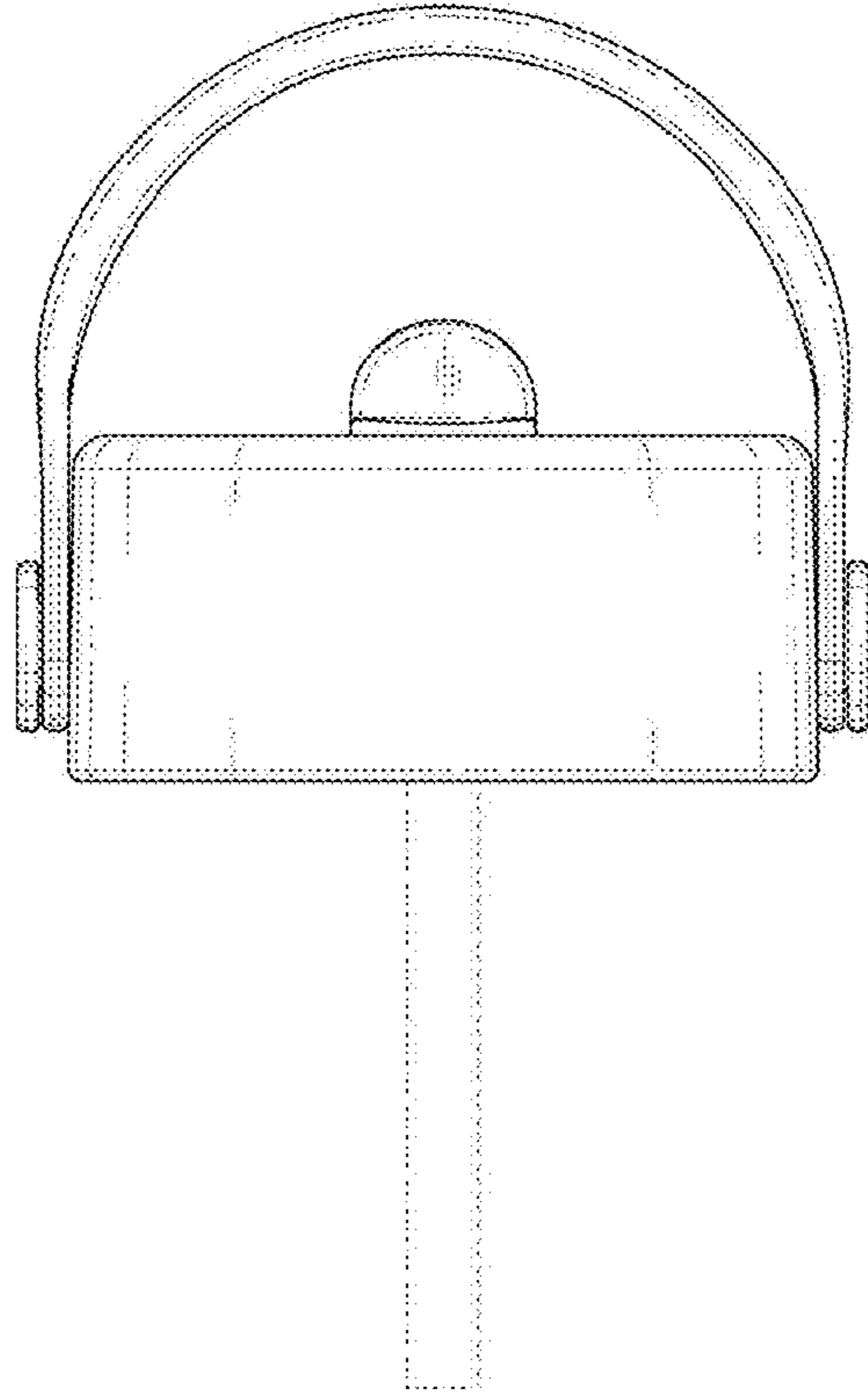


FIG. 2

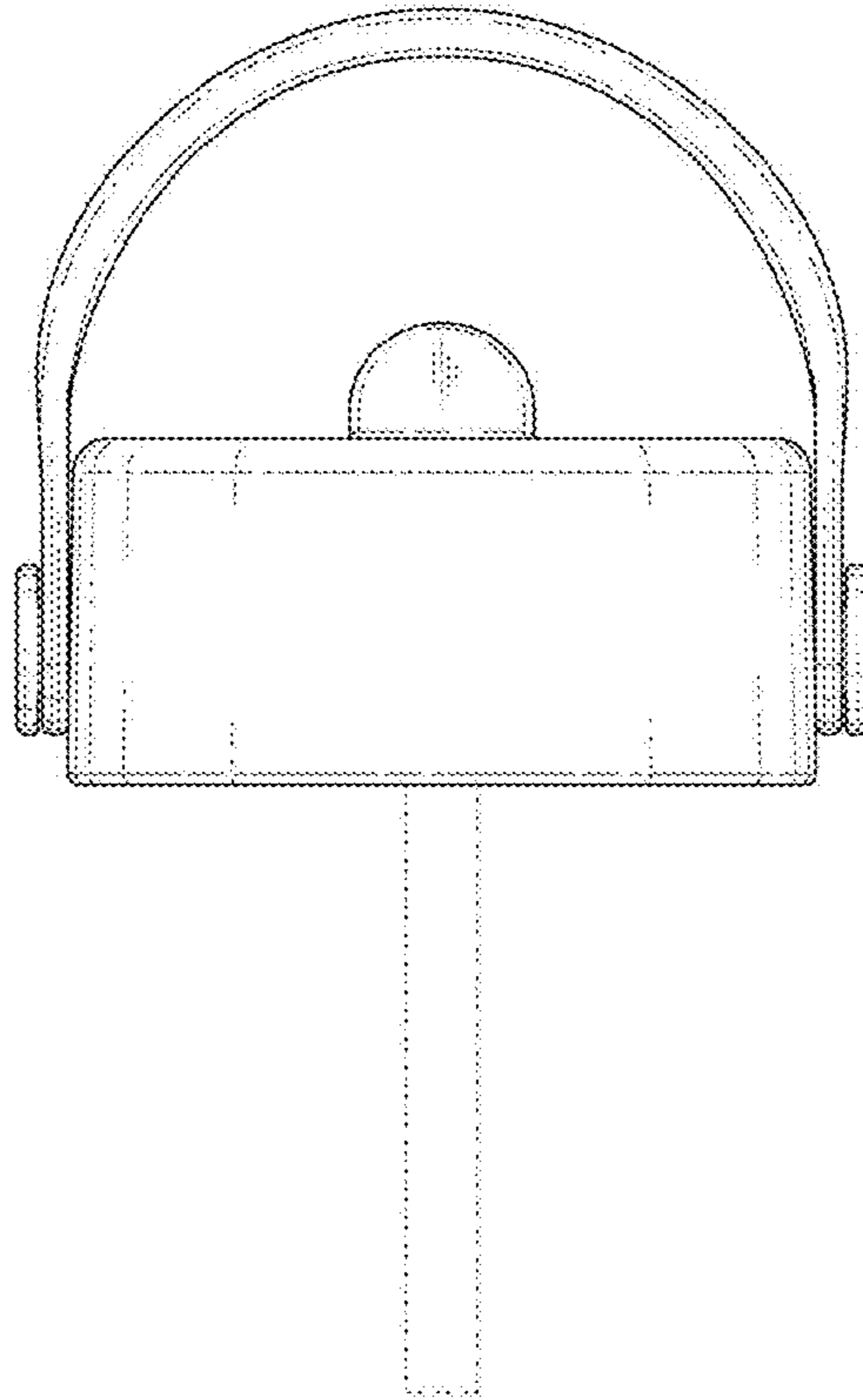


FIG. 3

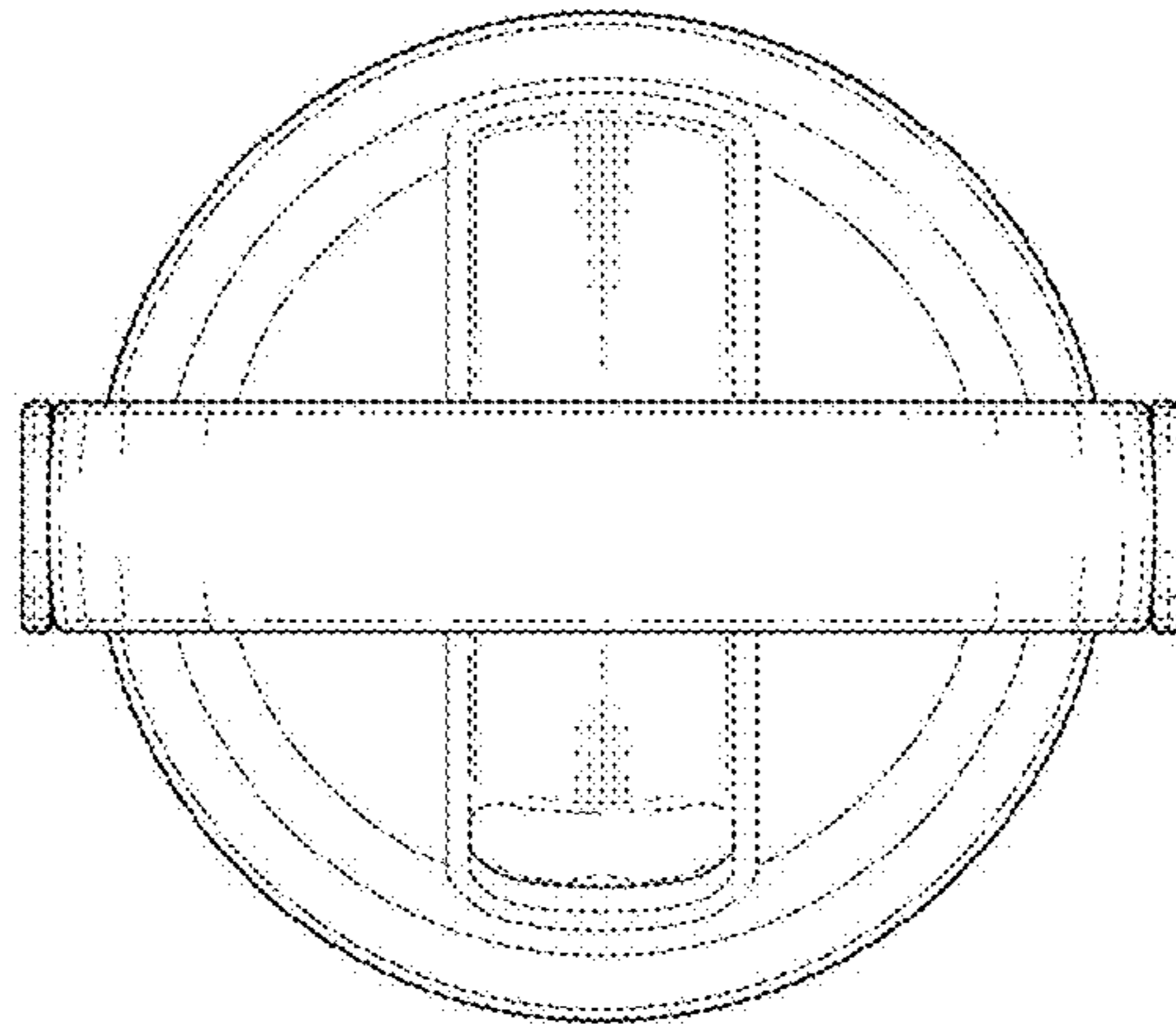


FIG. 4

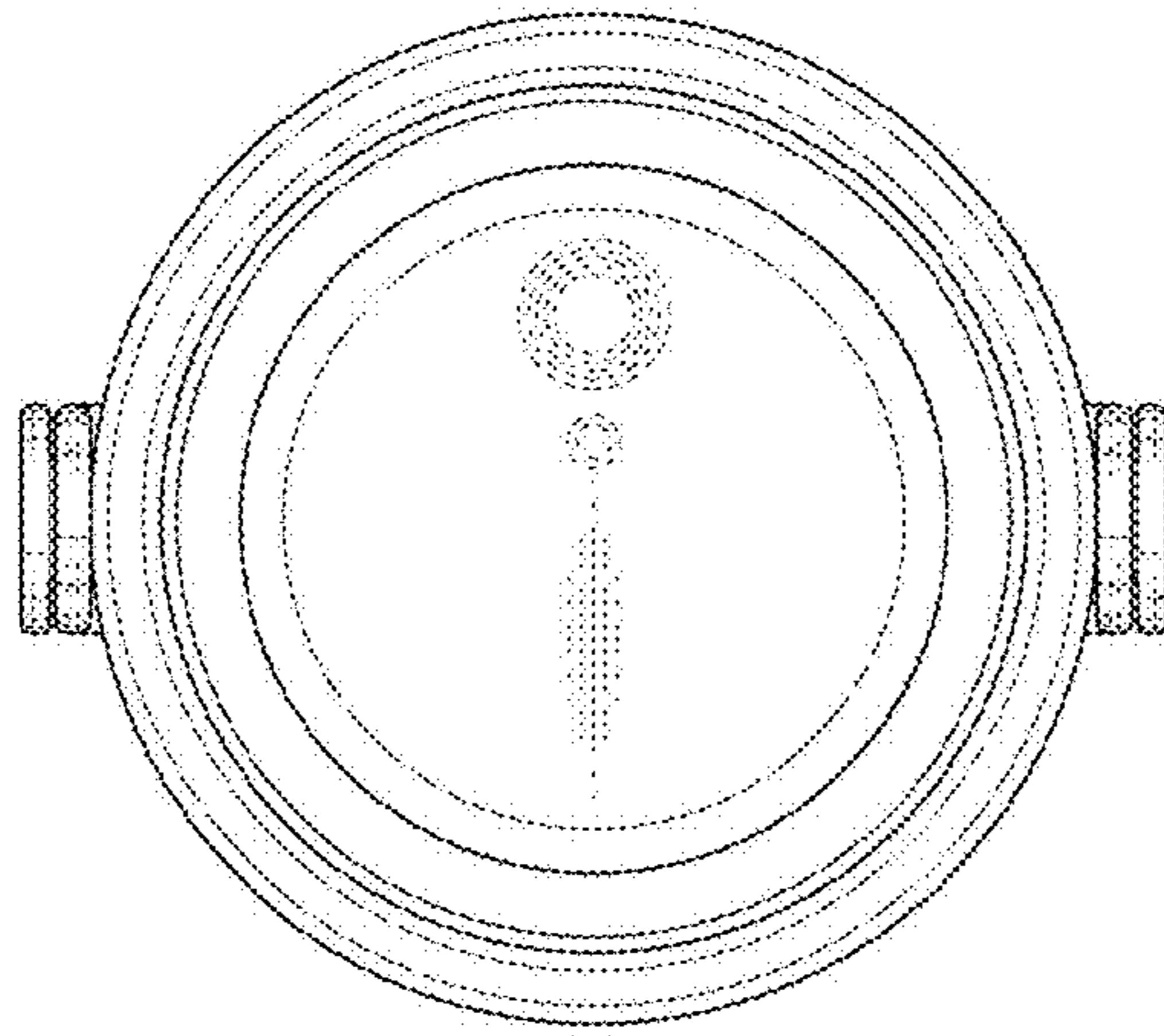


FIG. 5

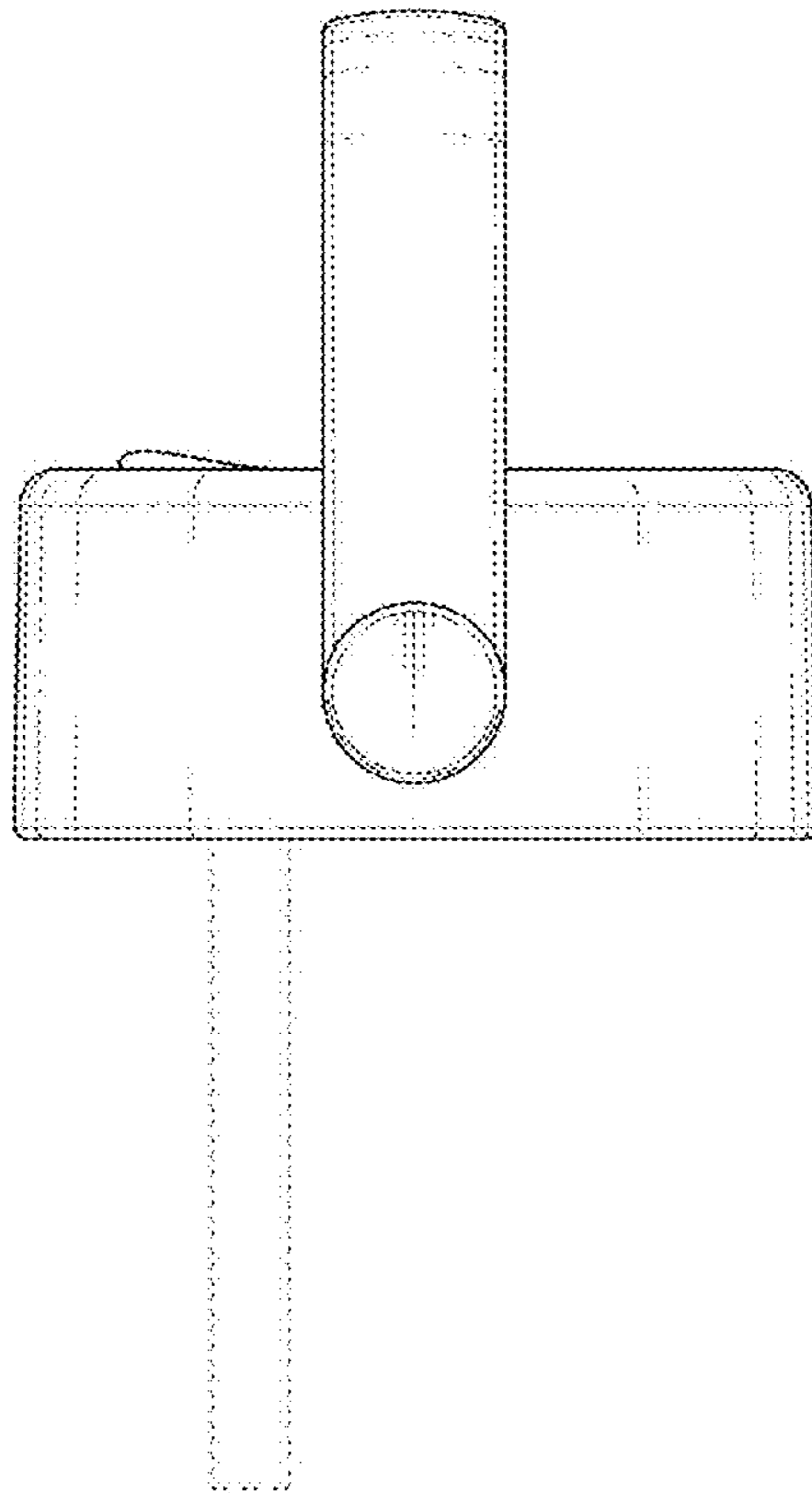


FIG. 6

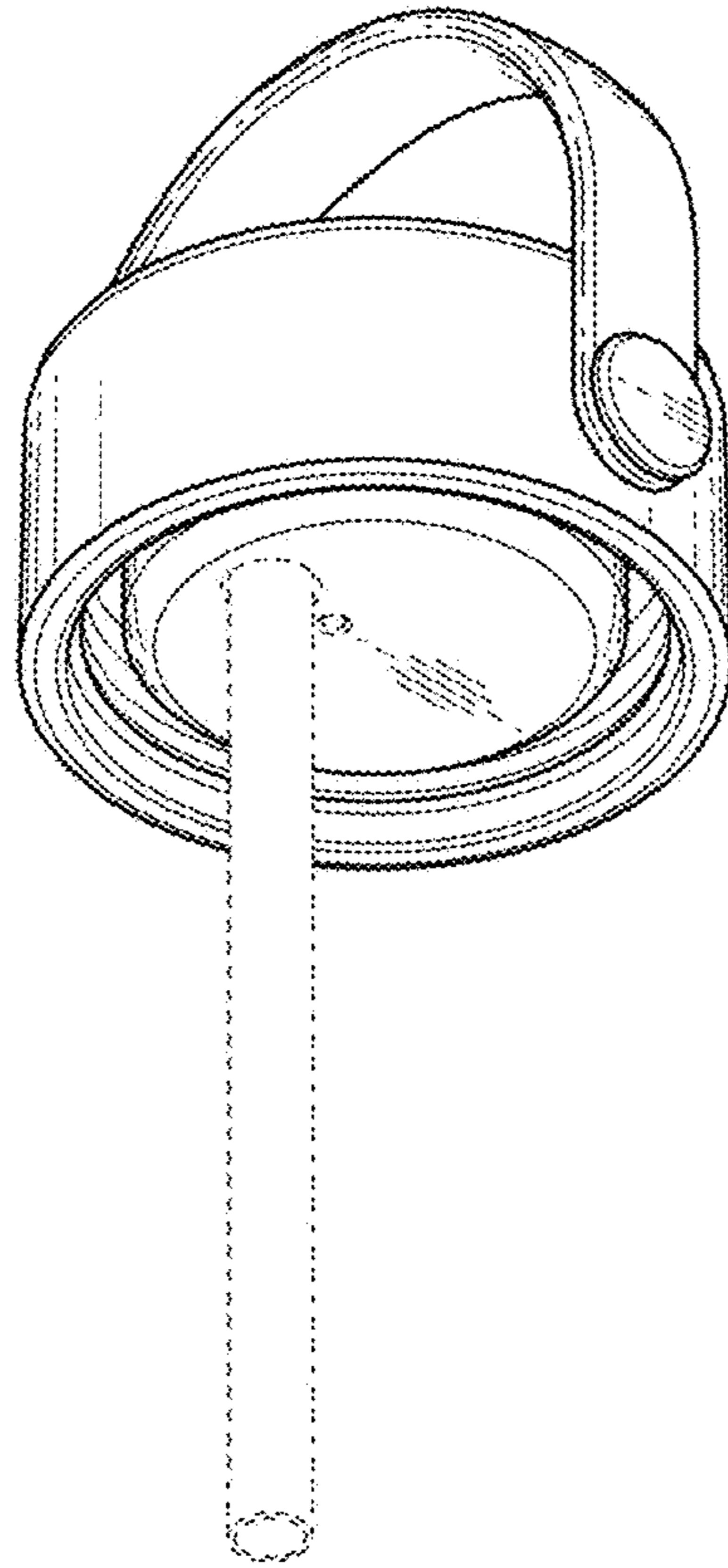


FIG. 7