



US00D872521S

(12) **United States Design Patent**
Sitwell et al.

(10) **Patent No.:** **US D872,521 S**
(45) **Date of Patent:** **** Jan. 14, 2020**

(54) **BEVERAGE CONTAINER PART**

(71) Applicant: **Dexos Drinks Limited**, London (GB)

(72) Inventors: **Vincent Sitwell**, London (GB); **Kamila Sitwell**, London (GB); **Lucas Karel Johannes Van Den Broek**, East Sussex (GB)

(73) Assignee: **Dexos Drinks Limited**, London (GB)

(**) Term: **15 Years**

(21) Appl. No.: **29/637,870**

(22) Filed: **Feb. 22, 2018**

(30) **Foreign Application Priority Data**

Aug. 25, 2017 (EM) 004164671-0001
Aug. 25, 2017 (EM) 004164671-0002
Aug. 25, 2017 (EM) 004164671-0003

(51) **LOC (12) Cl.** **07-01**

(52) **U.S. Cl.**
USPC **D7/392.1; D7/396.2**

(58) **Field of Classification Search**
USPC D7/507, 509, 510, 511, 392.1, 396.2,
D7/400, 398, 213, 393, 394, 397, 514,
D7/515, 389, 581, 401.1, 602, 600.1;
220/200, 703; D9/434, 435, 436, 447,
D9/448, 635, 440, 439, 450, 446, 443
CPC B65D 41/56; B65D 41/04; B65D 41/0414;
A47J 43/27; A45F 3/16
See application file for complete search history.

(56) **References Cited**

U.S. PATENT DOCUMENTS

3,809,299 A * 5/1974 Sand B65D 47/242
222/521
D335,449 S * 5/1993 Appl D9/447

D336,430 S * 6/1993 Maguire D9/447
D350,672 S * 9/1994 Egger D7/510
D421,389 S * 3/2000 Briere D9/438
D503,886 S * 4/2005 Biesecker D7/391
D617,639 S * 6/2010 Casey D9/447
D634,195 S * 3/2011 McKinney D9/447
D667,049 S * 9/2012 Park D18/43
D693,682 S * 11/2013 Bahri D9/453
D763,078 S * 8/2016 Roy D9/434
D786,966 S * 5/2017 Matsushita D18/56
D789,205 S * 6/2017 Scott D9/449
D794,391 S * 8/2017 Palin D7/510
D796,326 S * 9/2017 Ichikawa D9/434
D809,386 S * 2/2018 Roy D9/447
D828,722 S * 9/2018 Davis D7/510
D833,278 S * 11/2018 Pellerin D9/449
2003/0213709 A1 * 11/2003 Gibler B65D 51/2842
206/219

(Continued)

Primary Examiner — Jae Liang

(74) *Attorney, Agent, or Firm* — William H. Bollman

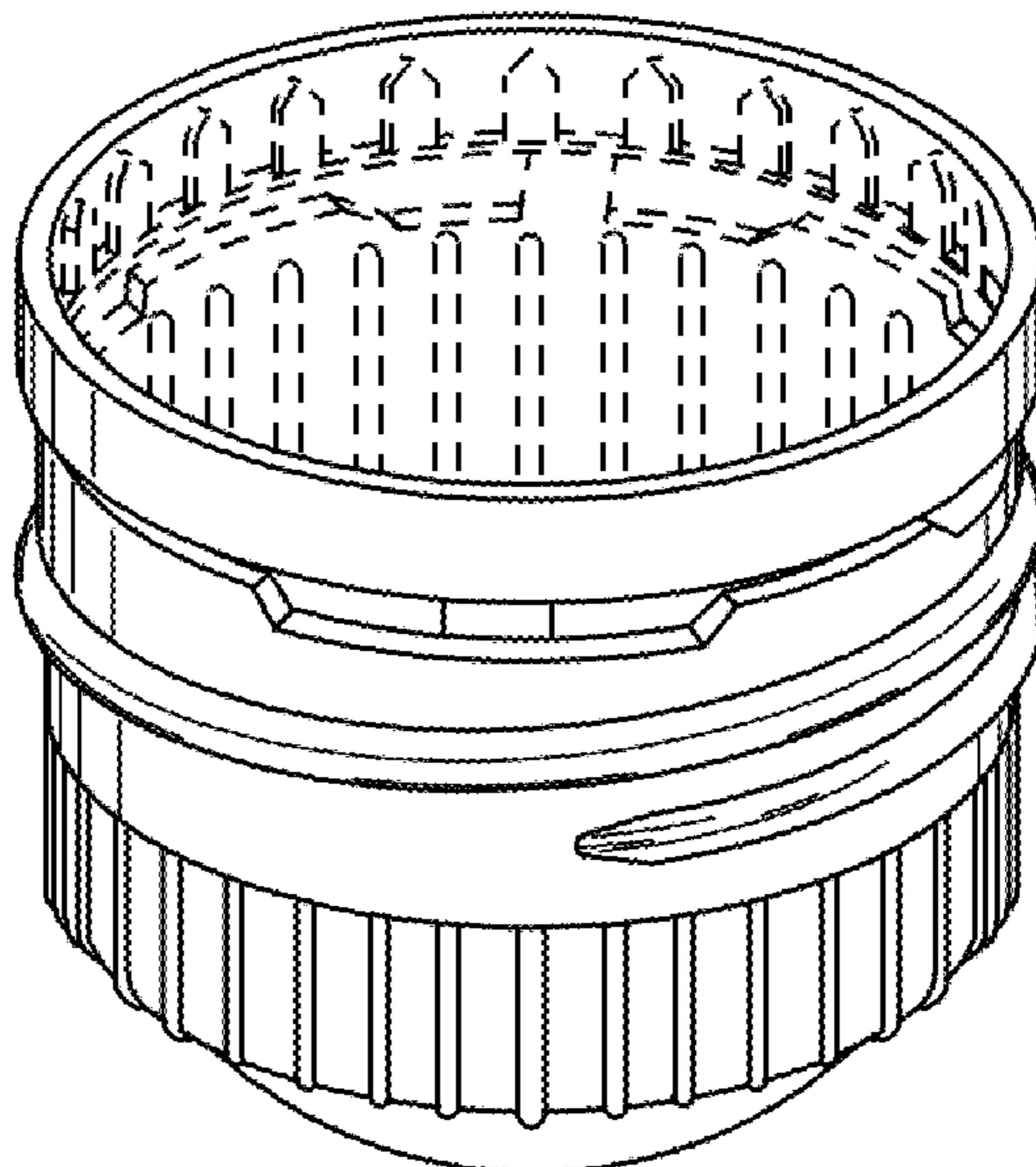
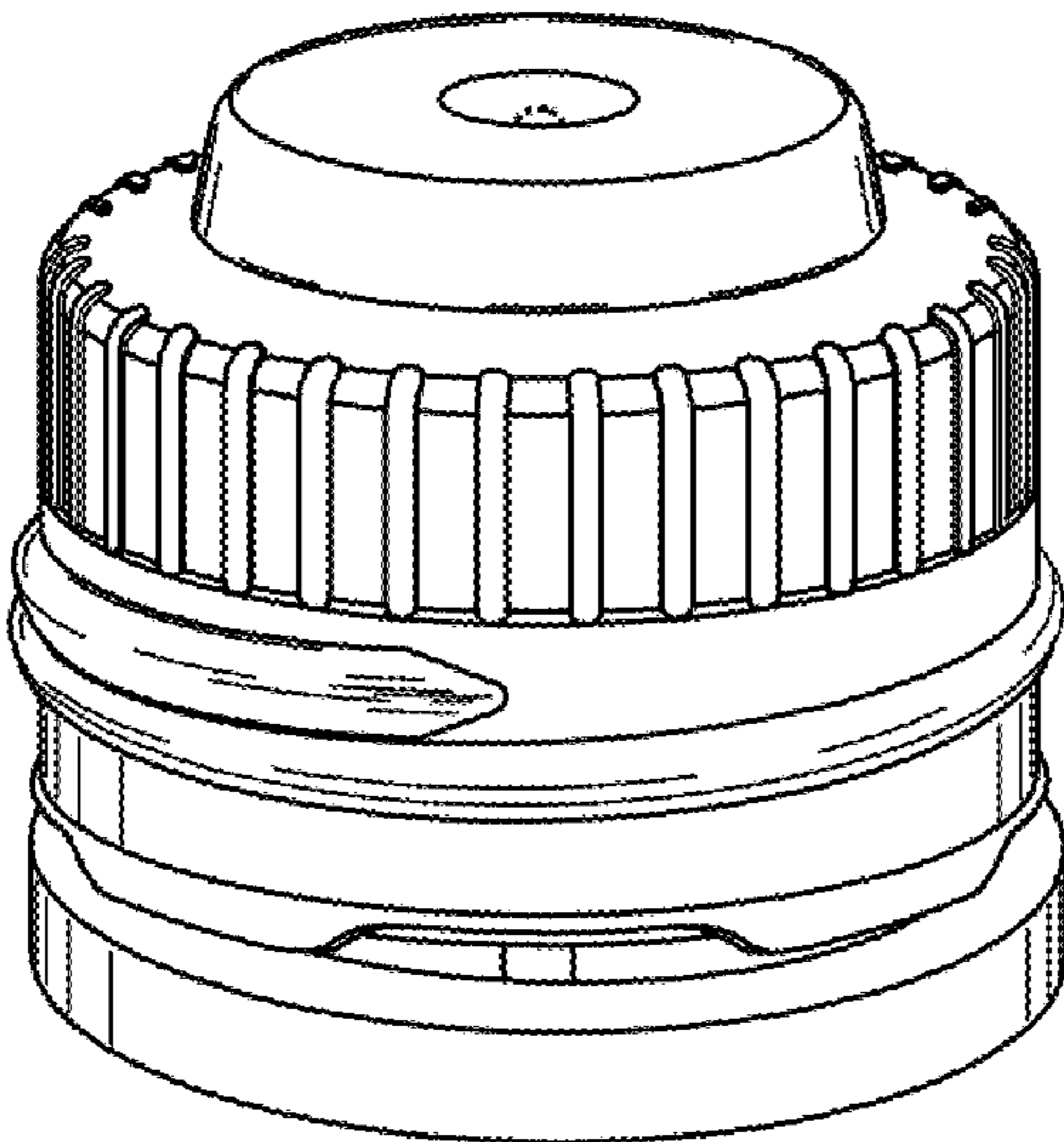
(57) **CLAIM**

The ornamental design for a beverage container part, as shown and described.

DESCRIPTION

FIG. 1 is a front view of a beverage container part showing our new design; the rear view being a mirror image thereof but for the single circumferential thread which continues around and ends on the rear view thereof; FIG. 2 is a lower perspective view thereof; FIG. 3 is an upper perspective view of a beverage container on which the beverage container part is used; and, FIG. 4 is an exploded upper perspective view thereof showing the beverage container part, an internal beverage container part, and a beverage container. The broken lines in the drawings depict environmental subject matter only that form no part of the claimed design.

1 Claim, 4 Drawing Sheets



(56)

References Cited

U.S. PATENT DOCUMENTS

2010/0219151 A1* 9/2010 Rishq C02F 1/002
215/44
2015/0375908 A1* 12/2015 Rognard B65D 47/0828
215/235
2016/0167838 A1* 6/2016 Dong B65D 41/0492
220/255
2016/0200486 A1* 7/2016 Meyers A47G 19/2266
215/229

* cited by examiner

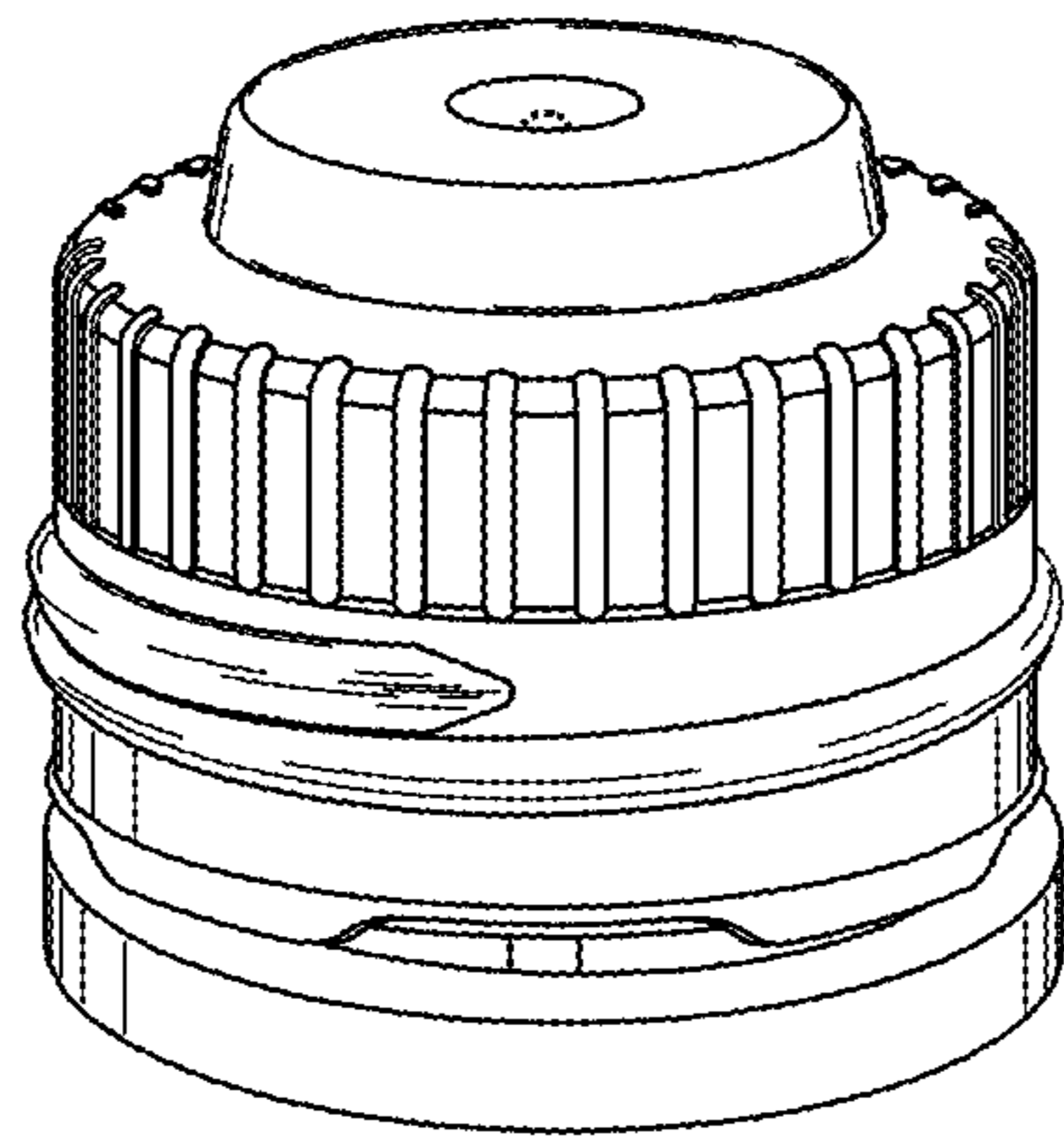


FIG. 1

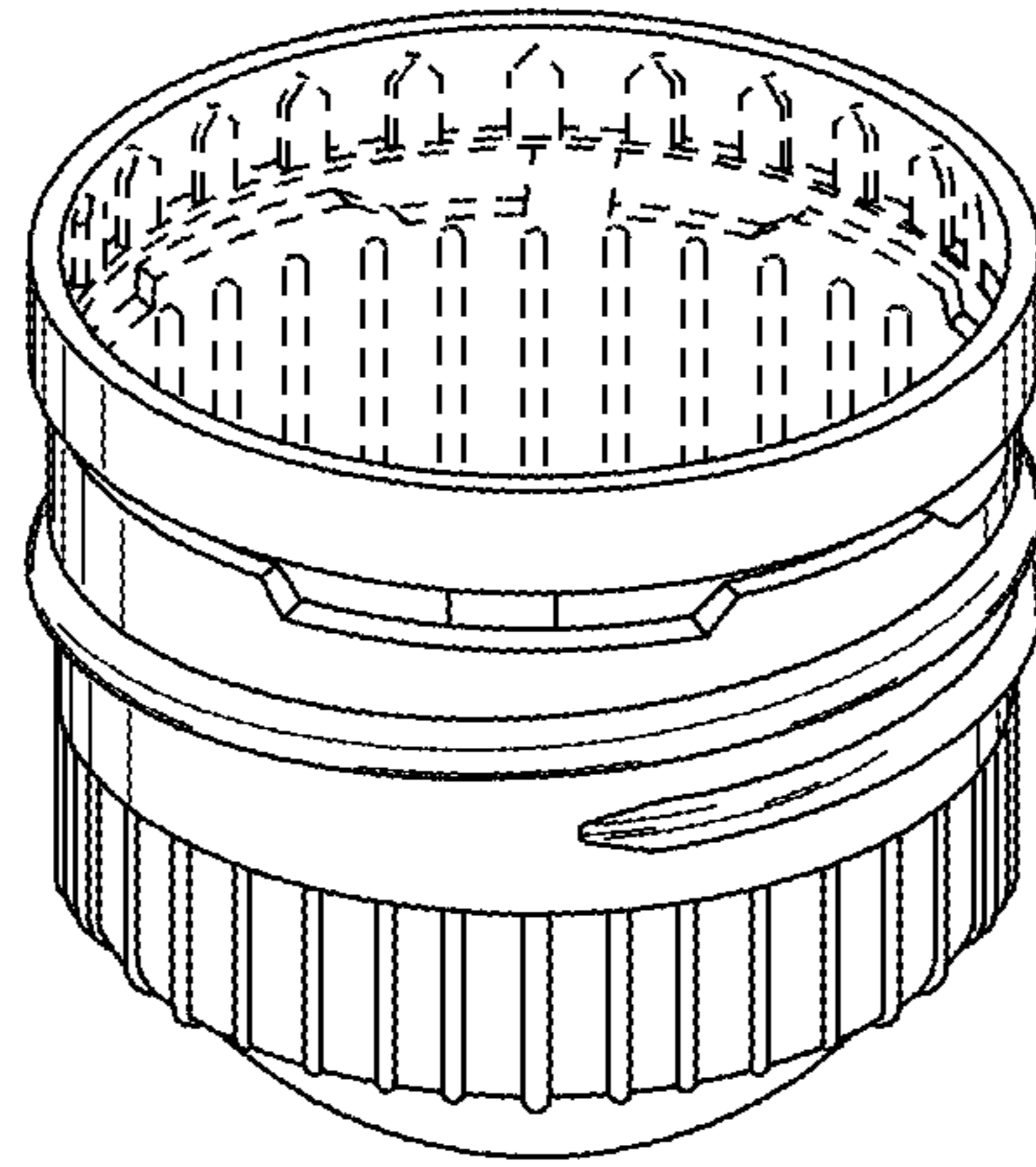


FIG. 2

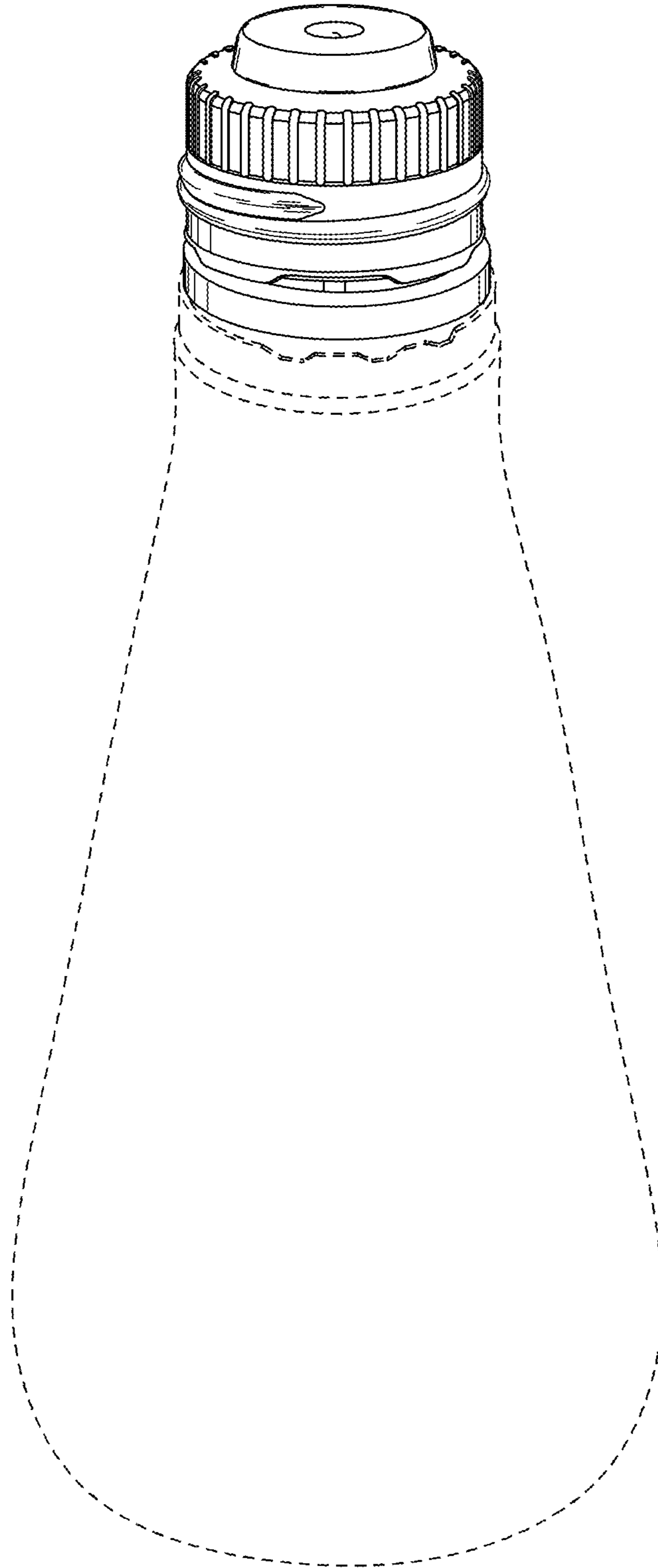


FIG. 3

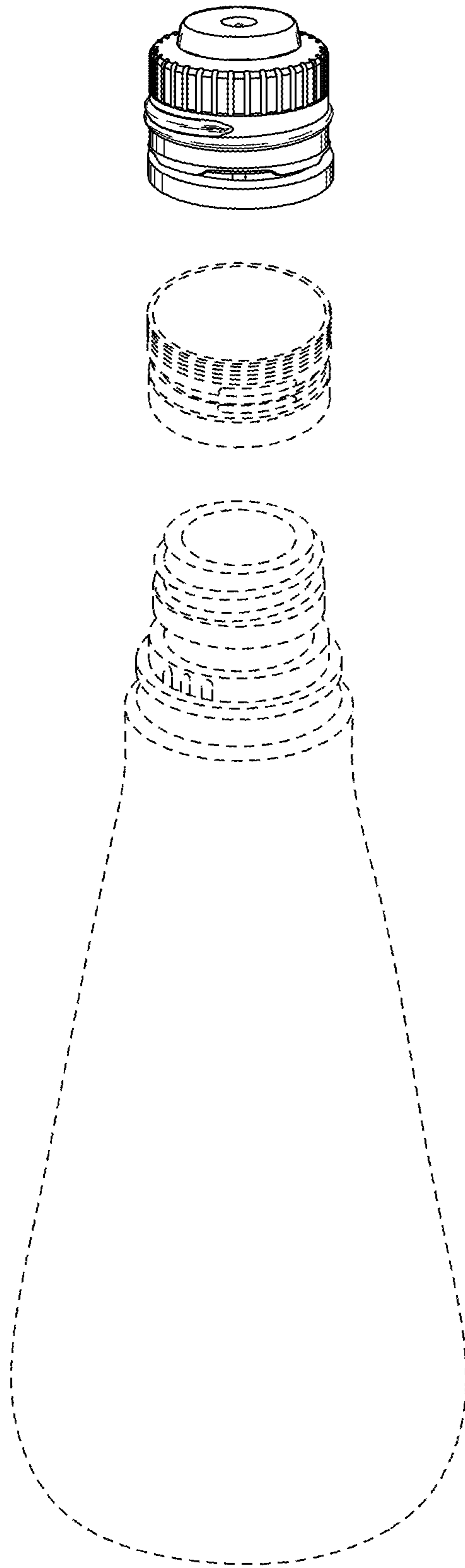


FIG. 4