

US00D872519S

(12) **United States Design Patent**  
**Donald et al.**

(10) **Patent No.:** **US D872,519 S**  
(45) **Date of Patent:** **\*\* Jan. 14, 2020**

(54) **PAN STAND**  
(71) Applicant: **JOSEPH JOSEPH LTD**, London (GB)  
(72) Inventors: **Simon Donald**, London (GB); **Joe Wentworth**, London (GB)  
(73) Assignee: **JOSEPH JOSEPH, LTD.**, London (GB)  
(\*\*) Term: **15 Years**

5,181,686 A \* 1/1993 Barthel ..... F26B 25/18  
248/173  
D544,748 S \* 6/2007 Johansson ..... D7/387  
D582,913 S \* 12/2008 Warme ..... D14/299  
D594,272 S \* 6/2009 Heroux ..... D7/387  
D660,644 S \* 5/2012 Beijl ..... D7/213  
D696,064 S \* 12/2013 Hwang ..... D7/388  
8,701,651 B2 \* 4/2014 King ..... A47J 36/34  
126/152 R  
D820,035 S \* 6/2018 Hsu ..... D7/388  
D820,723 S \* 6/2018 Giemza ..... D11/164  
2007/0034755 A1 \* 2/2007 Duke ..... A47G 19/08  
248/127

(21) Appl. No.: **29/639,621**  
(22) Filed: **Mar. 7, 2018**

\* cited by examiner

(30) **Foreign Application Priority Data**  
Sep. 7, 2017 (EM) ..... 004246585-0013  
(51) **LOC (12) Cl.** ..... **07-99**  
(52) **U.S. Cl.**  
USPC ..... **D7/388**  
(58) **Field of Classification Search**  
USPC ..... D7/388, 409; D34/38  
CPC .. A47J 37/00; A47J 36/34; A47J 36/00; F24C  
15/16; A47G 33/12  
See application file for complete search history.

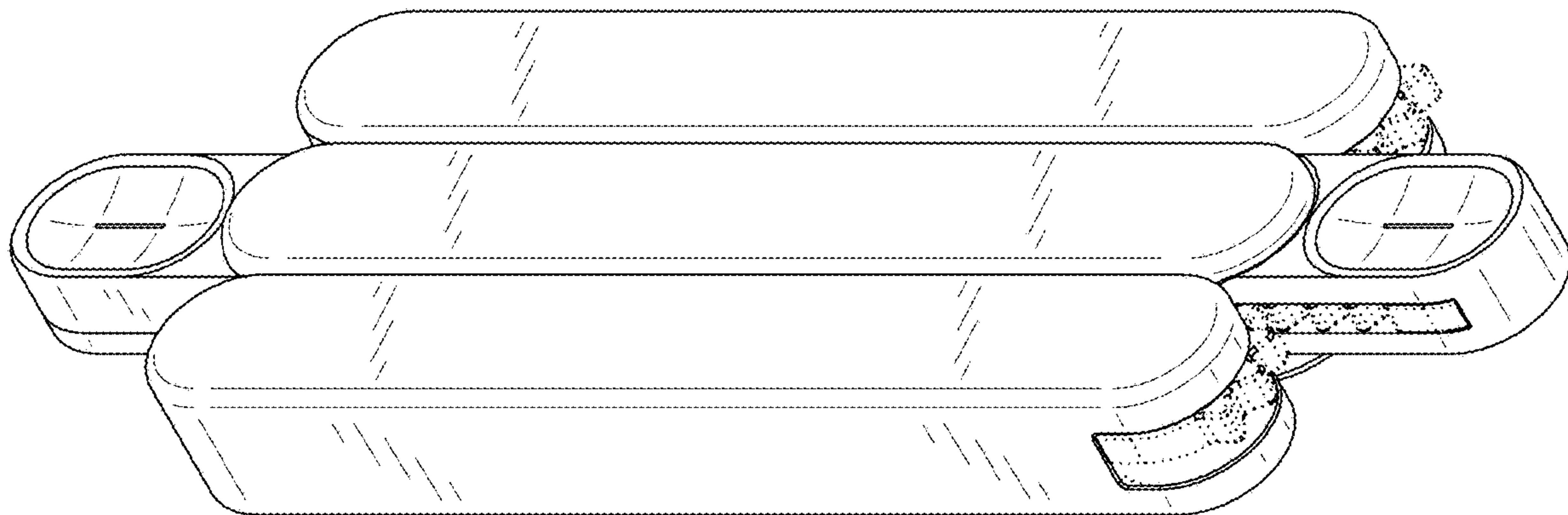
*Primary Examiner* — Marianne N Pandozzi  
(74) *Attorney, Agent, or Firm* — Millen, White, Zelano & Branigan, PC; Ryan Pool

(56) **References Cited**  
U.S. PATENT DOCUMENTS  
1,242,202 A \* 10/1917 Keller ..... A63H 33/12  
446/113  
3,279,730 A \* 10/1966 Holmes ..... A47G 33/12  
248/346.03  
3,526,380 A \* 9/1970 Tong ..... A47G 33/12  
248/528  
3,967,803 A \* 7/1976 Kienlen ..... A47J 36/34  
248/152

(57) **CLAIM**  
The ornamental design for a pan stand, as shown and described.

**DESCRIPTION**  
FIG. 1 is a perspective view of the pan stand showing my new design.  
FIG. 2 is a side view thereof.  
FIG. 3 is another side view thereof.  
FIG. 4 is a front view thereof.  
FIG. 5 is a back view thereof.  
FIG. 6 is a top view thereof.  
FIG. 7 is a bottom view thereof.  
FIG. 8 is a perspective view thereof in an open position; and, FIG. 9 is another perspective view thereof in an open position.  
The broken lines in the drawing depict portions of the pan stand that form no part of the claimed design.

**1 Claim, 9 Drawing Sheets**



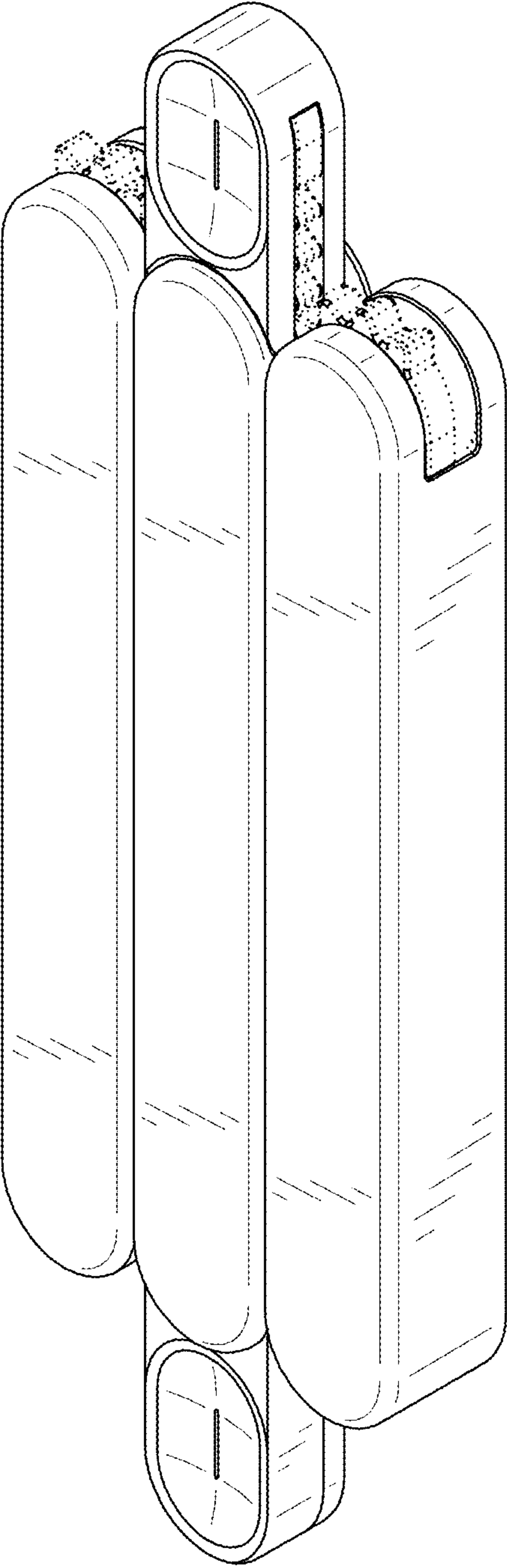


FIG. 1

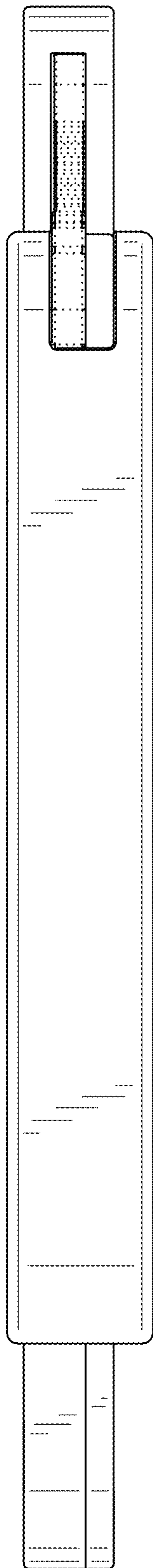


FIG. 2

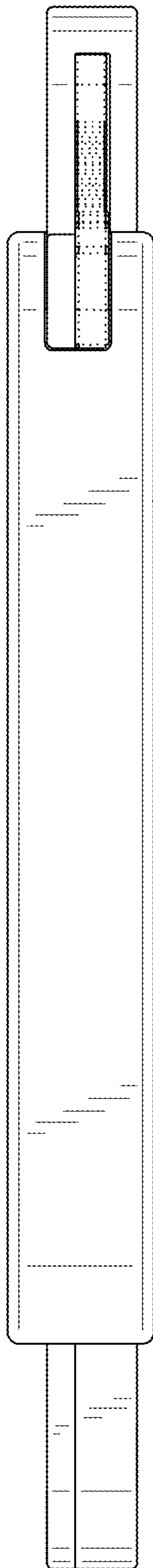


FIG. 3

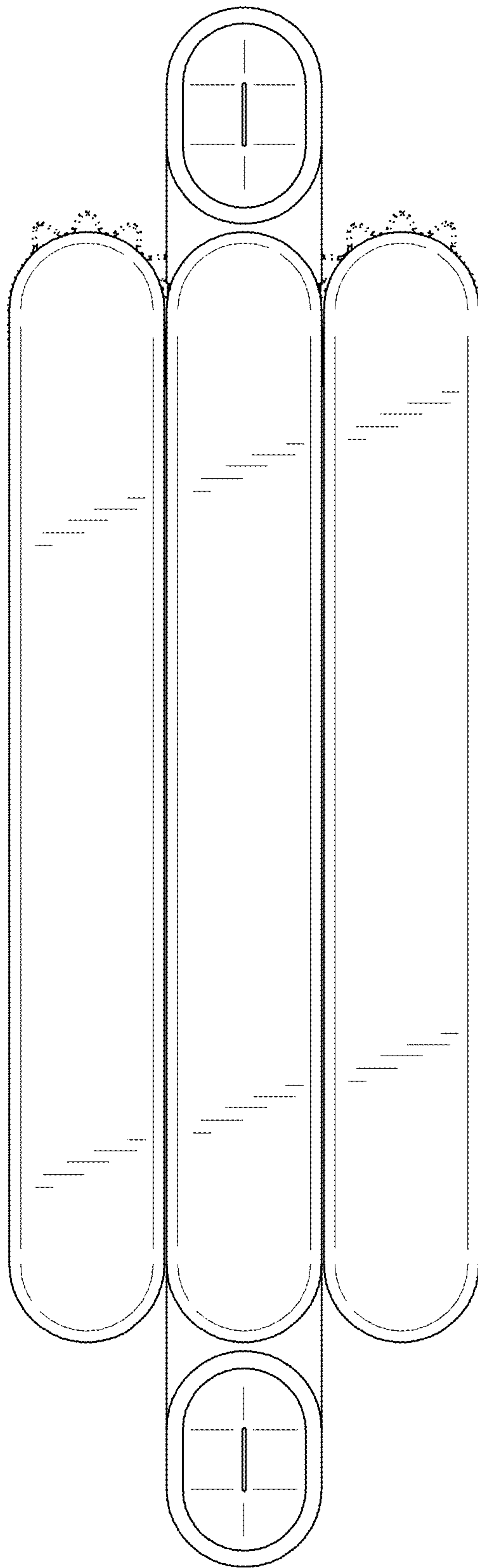


FIG. 4

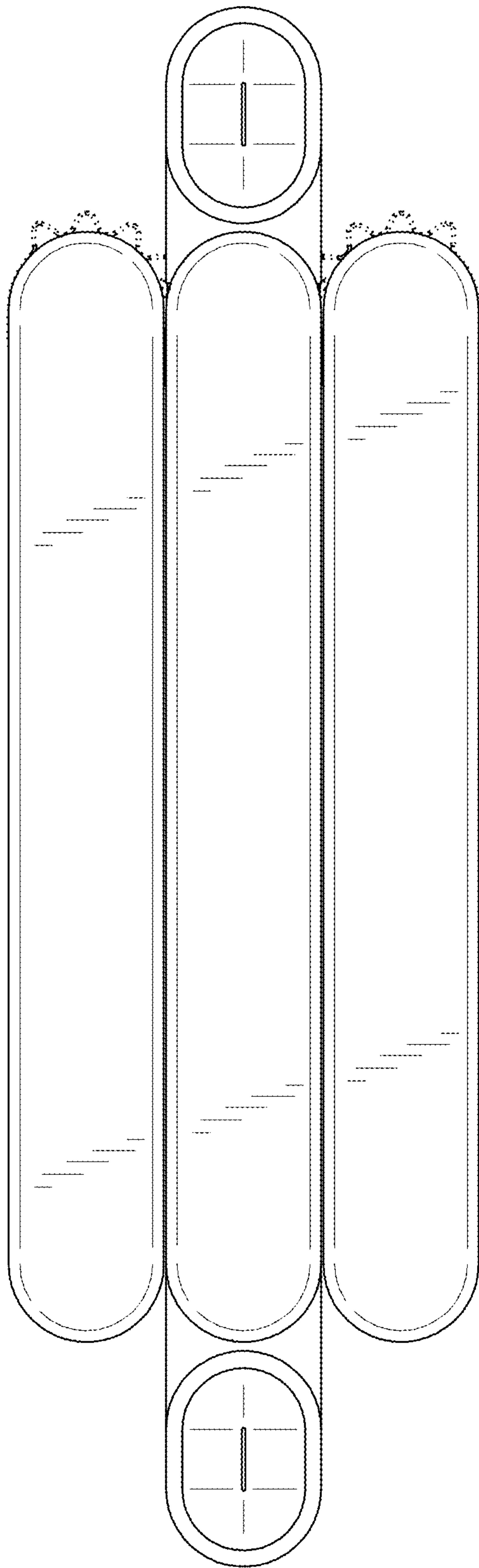


FIG. 5

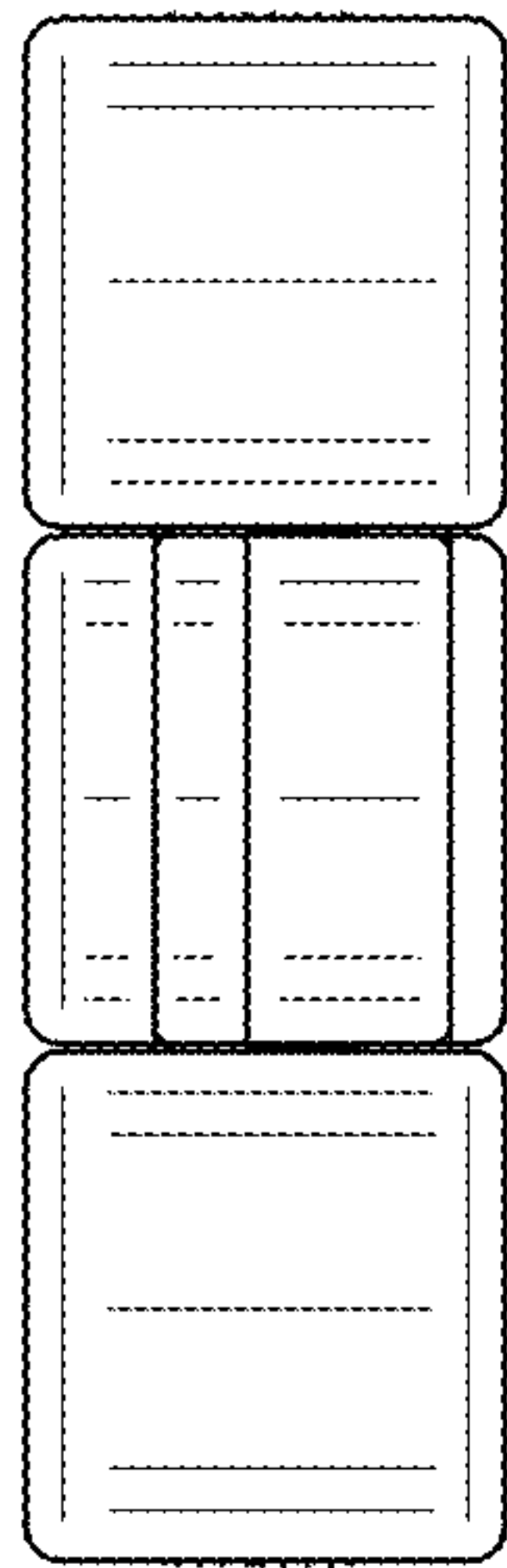


FIG. 6

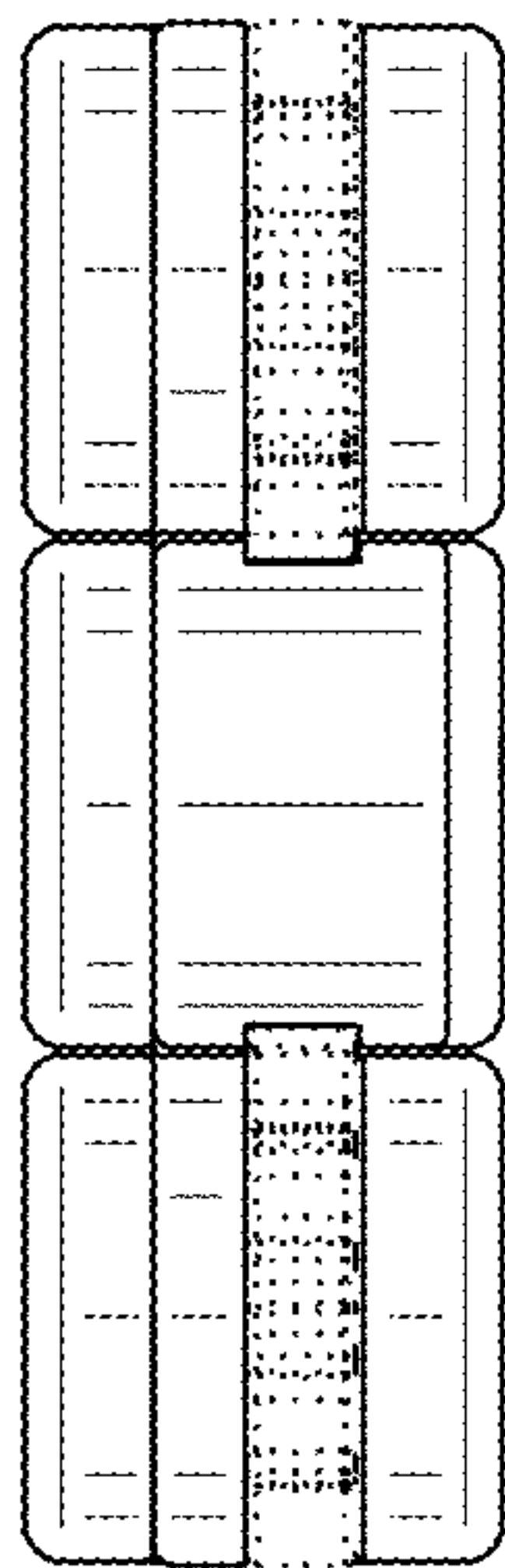


FIG. 7



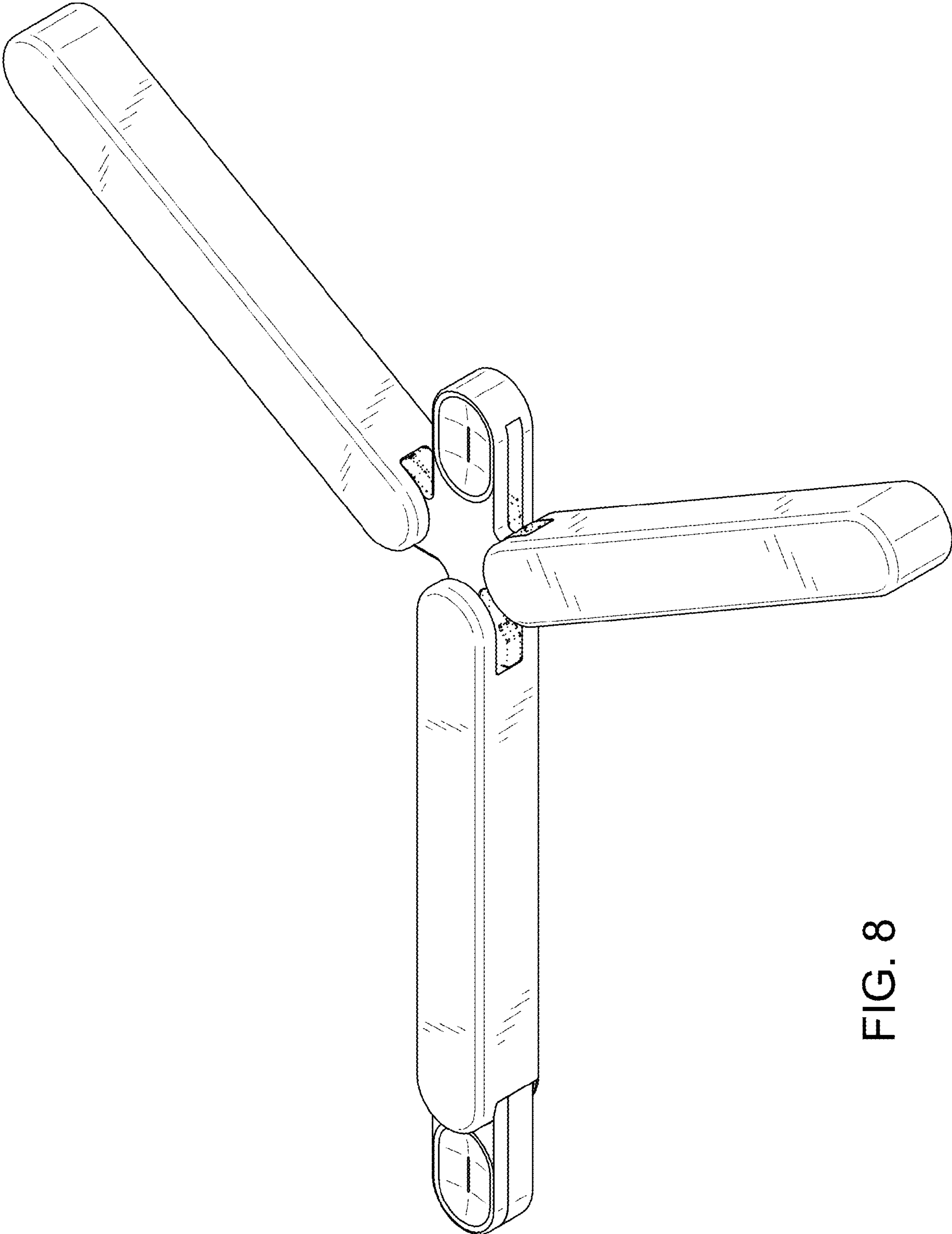


FIG. 8

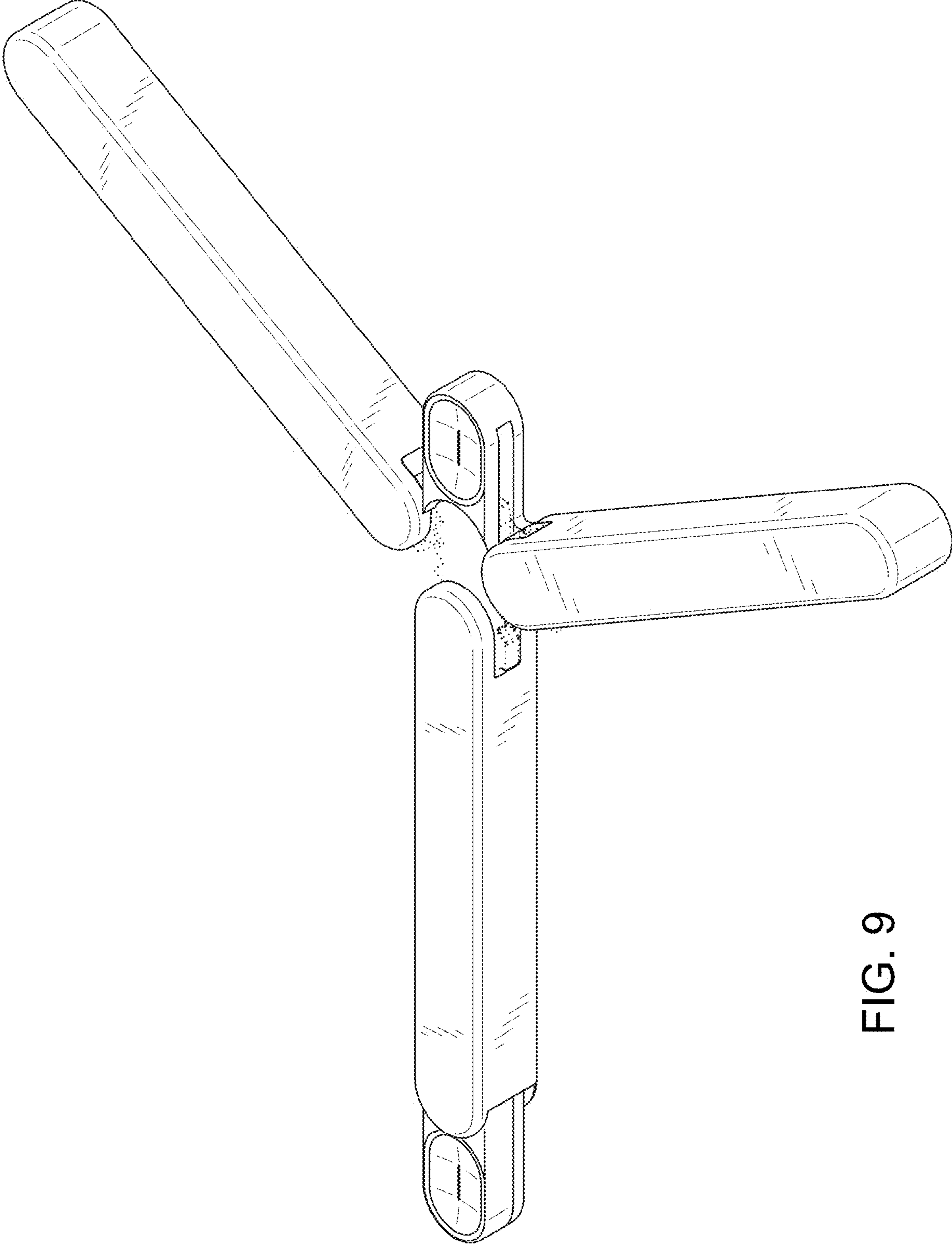


FIG. 9