



US00D872518S

(12) **United States Design Patent** (10) **Patent No.:** **US D872,518 S**
Robb (45) **Date of Patent:** **** Jan. 14, 2020**

(54) **SOUS VIDE COUNTERTOP STAND**
(71) Applicant: **John Robb**, Los Angeles, CA (US)
(72) Inventor: **John Robb**, Los Angeles, CA (US)
(**) Term: **15 Years**
(21) Appl. No.: **29/648,109**
(22) Filed: **May 18, 2018**
(51) **LOC (12) Cl.** **07-99**
(52) **U.S. Cl.**
USPC **D7/368; D7/601; D7/412**
(58) **Field of Classification Search**
USPC D7/368, 601, 412; D6/678, 682.1, 512,
D6/524, 535, 552; D28/17, 18, 38, 73
CPC A47B 13/16; A45D 1/00; A45D 2020/126;
A45D 2020/128; A45D 20/12; A47K
5/18; A47K 5/00
See application file for complete search history.

D577,546 S 9/2008 Ferraby
D579,271 S 10/2008 Ferraby
D601,300 S 9/2009 Burk
D620,982 S 8/2010 Parshad
D625,137 S 10/2010 Sabadicci et al.
D695,987 S 12/2013 Starr
D715,078 S 10/2014 Bibeau
D740,618 S 10/2015 Knoll
D747,154 S * 1/2016 Gold D7/600.4

* cited by examiner
Primary Examiner — Terry A Wallace
(74) *Attorney, Agent, or Firm* — Dunlap Bennett & Ludwig PLLC

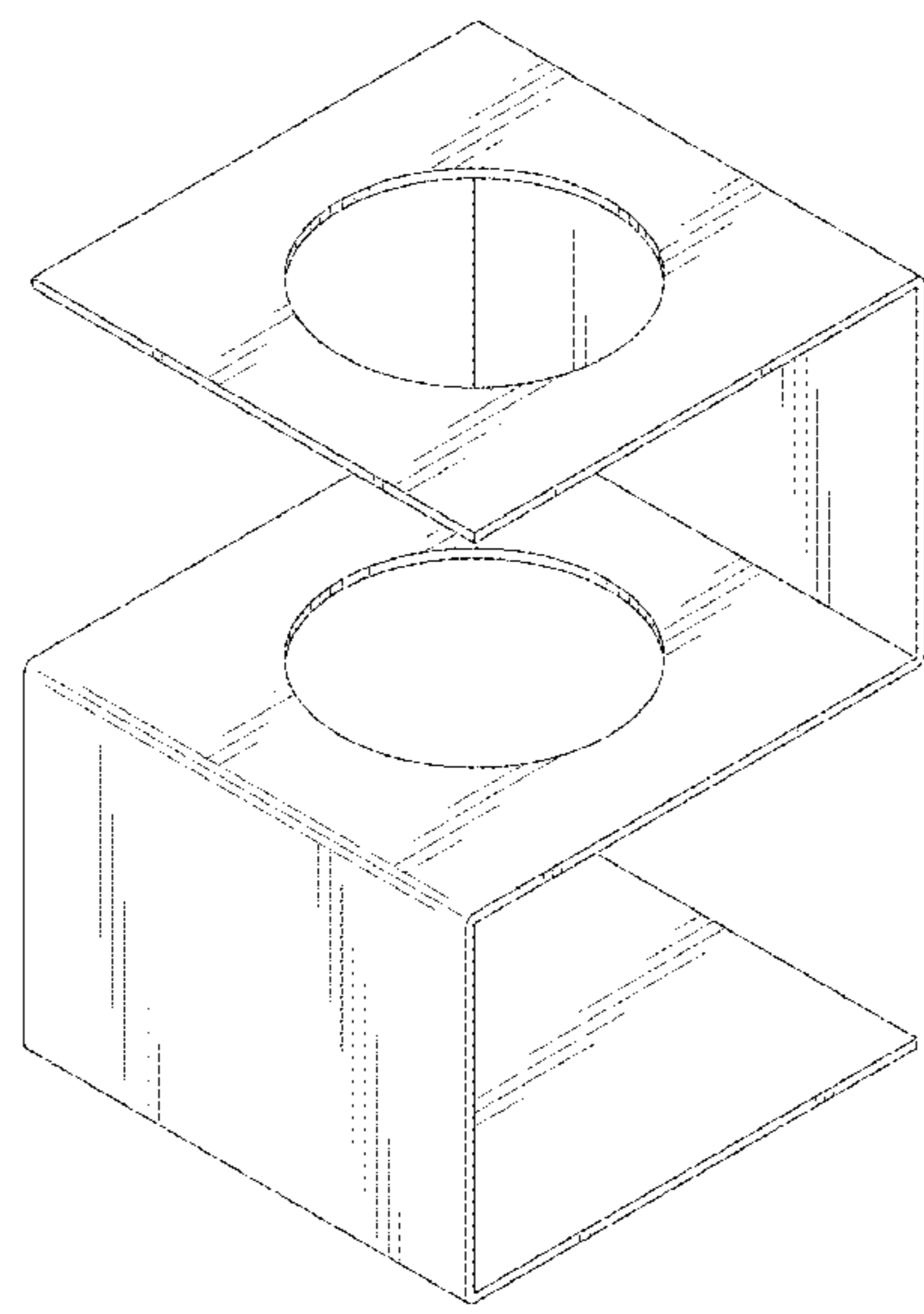
(57) **CLAIM**
The ornamental design for a sous vide countertop stand, as shown and described.

DESCRIPTION
FIG. 1 is a top front perspective view of a first embodiment of a sous vide countertop stand;
FIG. 2 is a front elevation view thereof;
FIG. 3 is a rear elevation view thereof;
FIG. 4 is a right elevation view thereof, with the left elevation view being a mirror image thereof;
FIG. 5 is a top elevation view thereof;
FIG. 6 is a bottom elevation view thereof;
FIG. 7 is a top front perspective view of a second embodiment of a sous vide countertop stand;
FIG. 8 is a front elevation view thereof;
FIG. 9 is a rear elevation view thereof;
FIG. 10 is a right elevation view thereof, with the left elevation view being a mirror image thereof;
FIG. 11 is a top elevation view thereof; and,
FIG. 12 is a bottom elevation view thereof.

The broken lines shown in the drawings depict plug openings of the first embodiment that form no part of the claimed invention.

(56) **References Cited**
U.S. PATENT DOCUMENTS
D257,194 S 10/1980 von Roth, II
D294,530 S * 3/1988 Carluccio D28/73
D304,670 S * 11/1989 Johnson D8/71
D305,944 S * 2/1990 Mellott D11/146
D313,341 S * 1/1991 Gaboriault D28/73
5,727,701 A * 3/1998 Rhoades A45D 1/00
211/70.6
5,785,290 A * 7/1998 Harris A47B 13/16
108/152
D400,052 S 10/1998 Thomas
5,878,982 A 3/1999 Cumby et al.
5,937,537 A 8/1999 Miller
6,318,691 B1 * 11/2001 Toth, Jr. A45D 20/12
248/231.41
6,439,403 B1 8/2002 Levsen
D476,197 S 6/2003 Kaposi
D497,516 S 10/2004 Roberts
D512,272 S 12/2005 Avrish
D544,727 S 6/2007 Valdez et al.

1 Claim, 8 Drawing Sheets



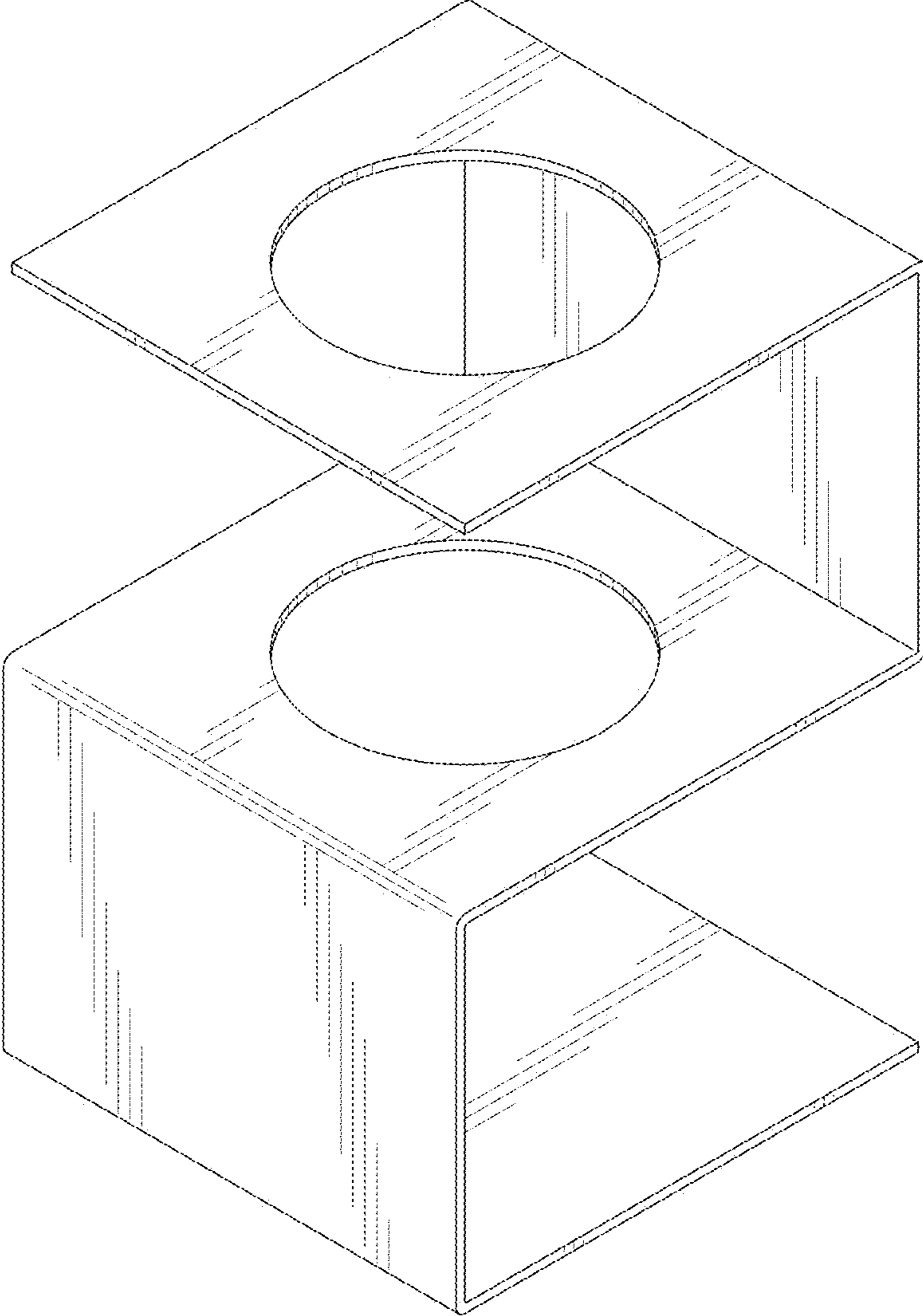


FIG. 1

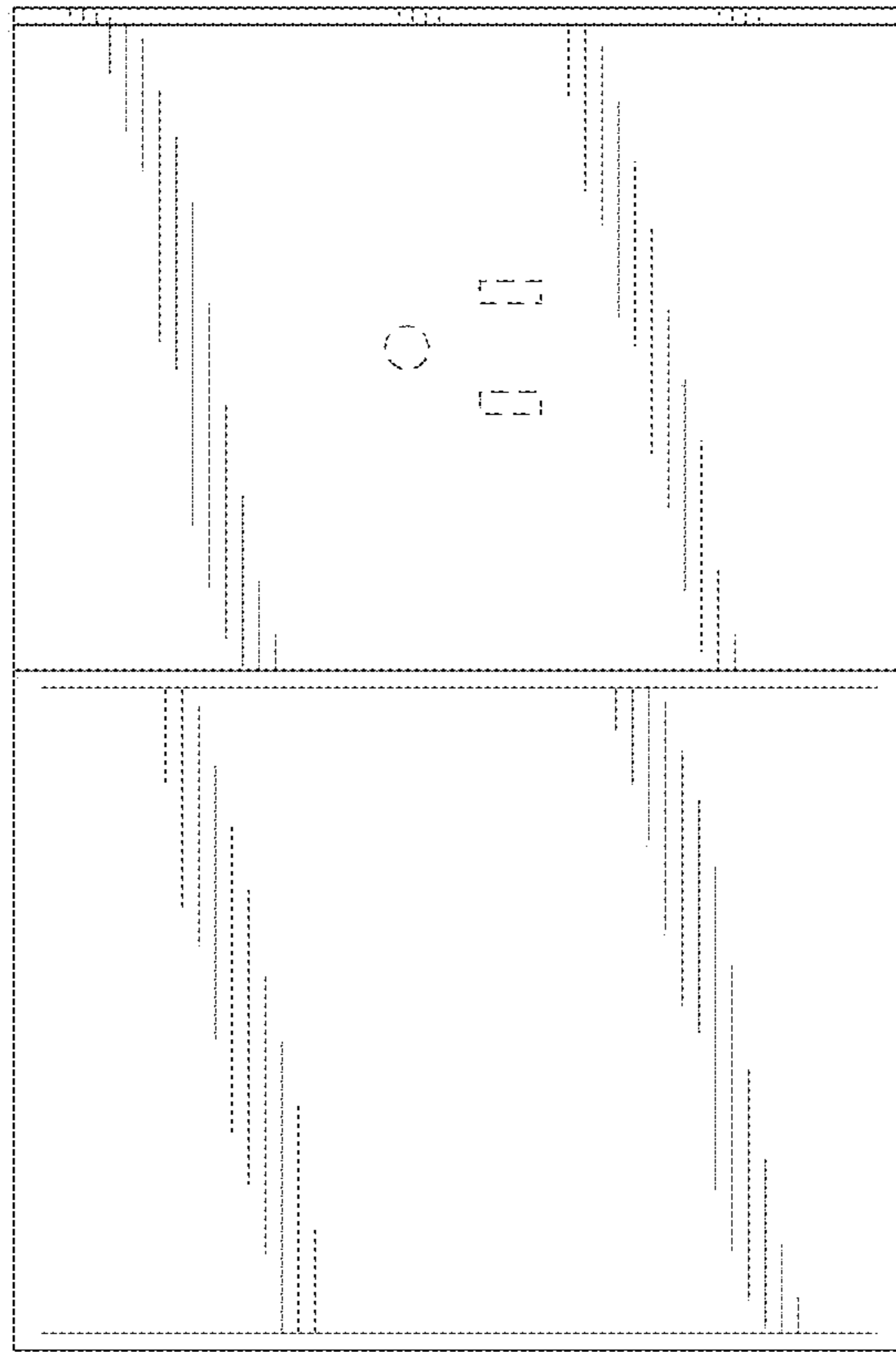


FIG. 2

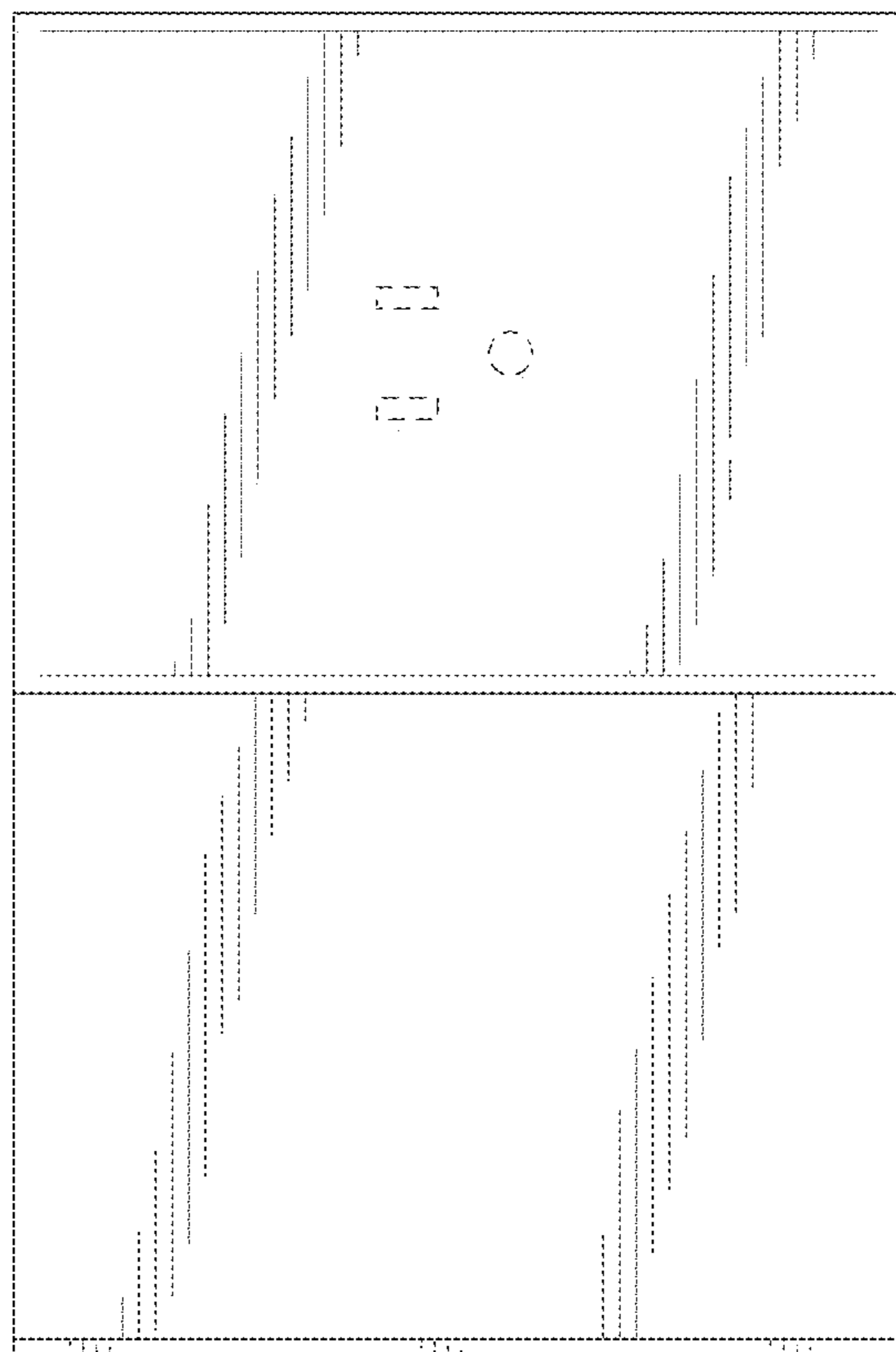


FIG. 3

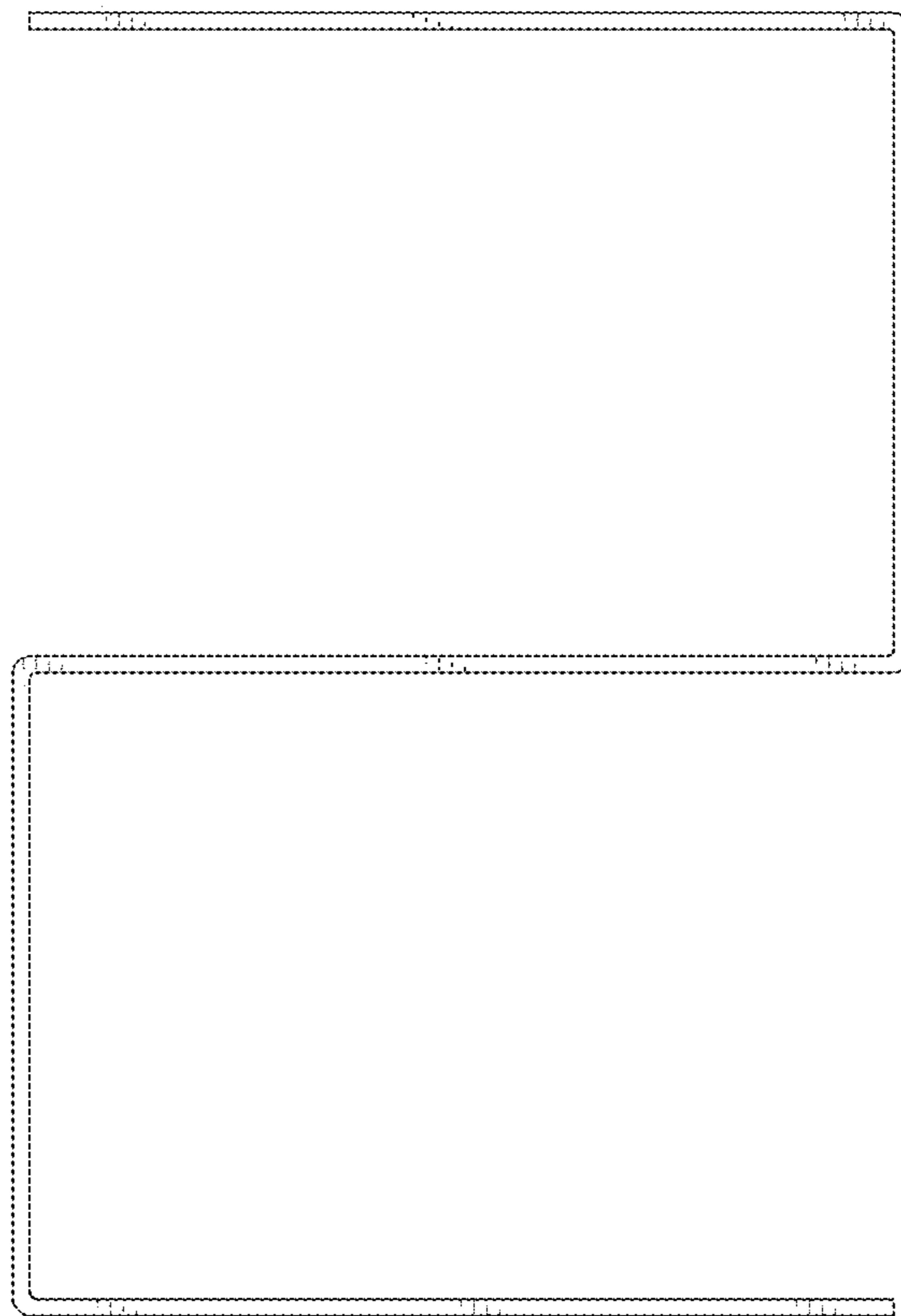


FIG. 4

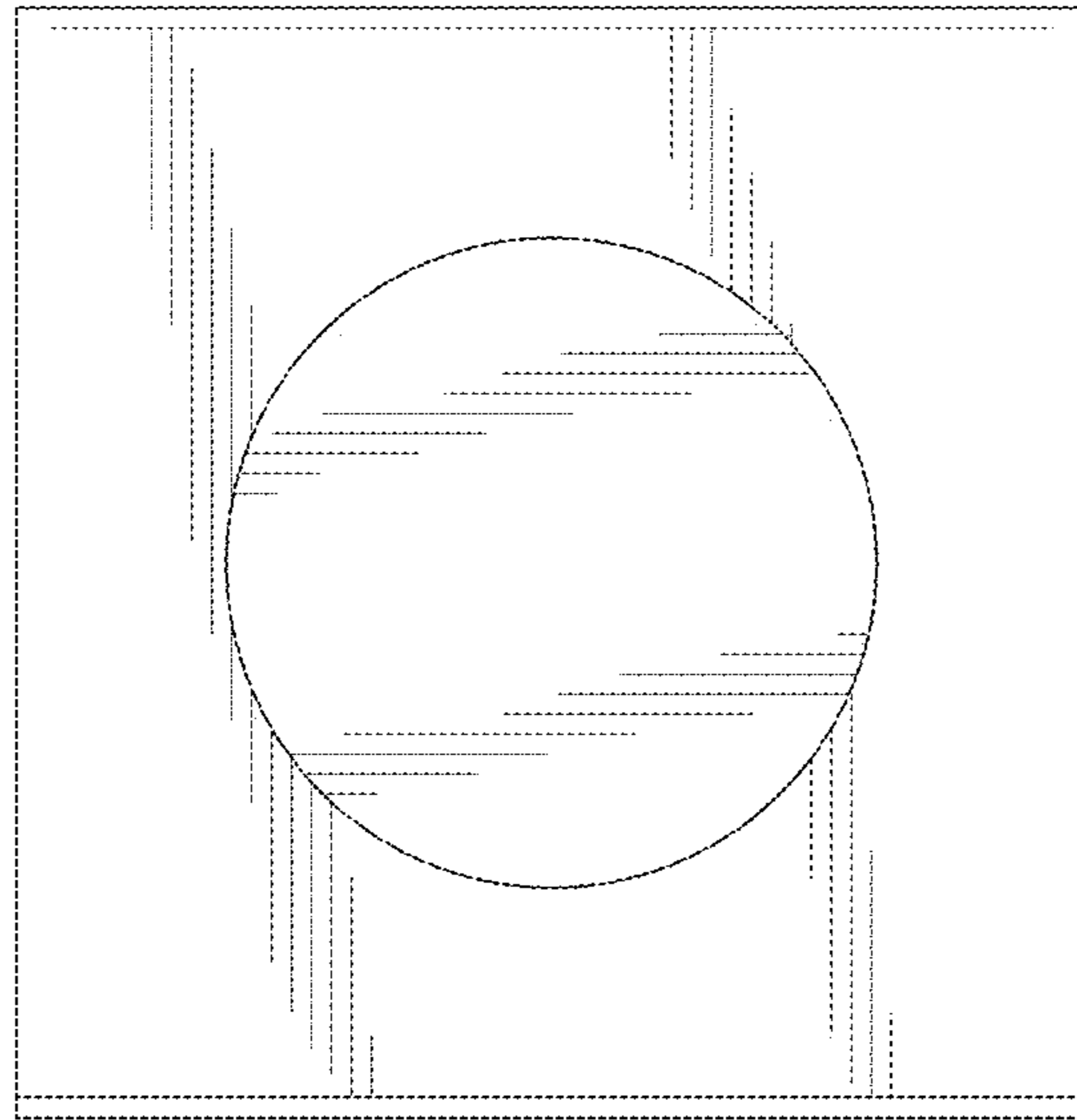


FIG. 5

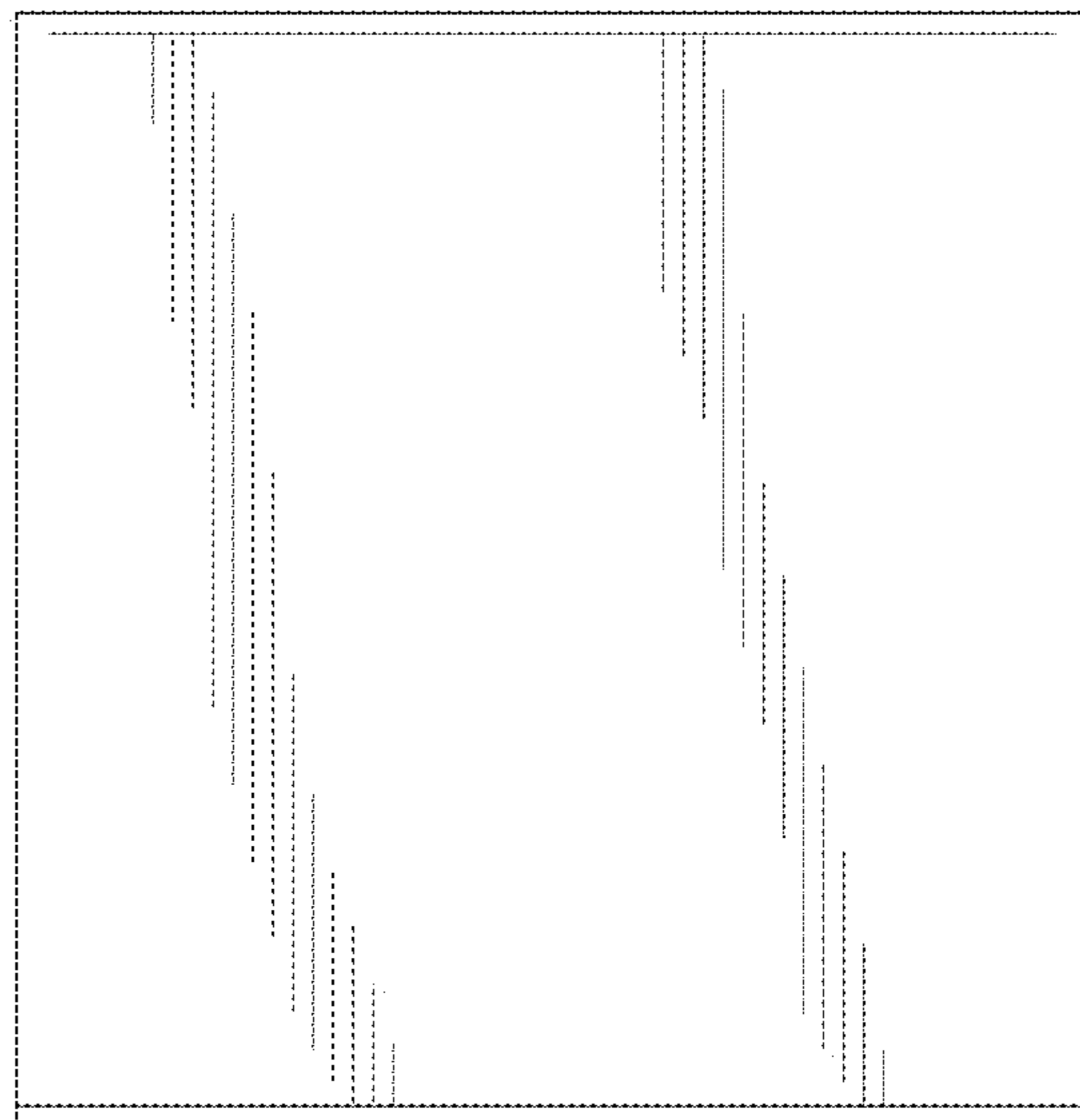


FIG. 6

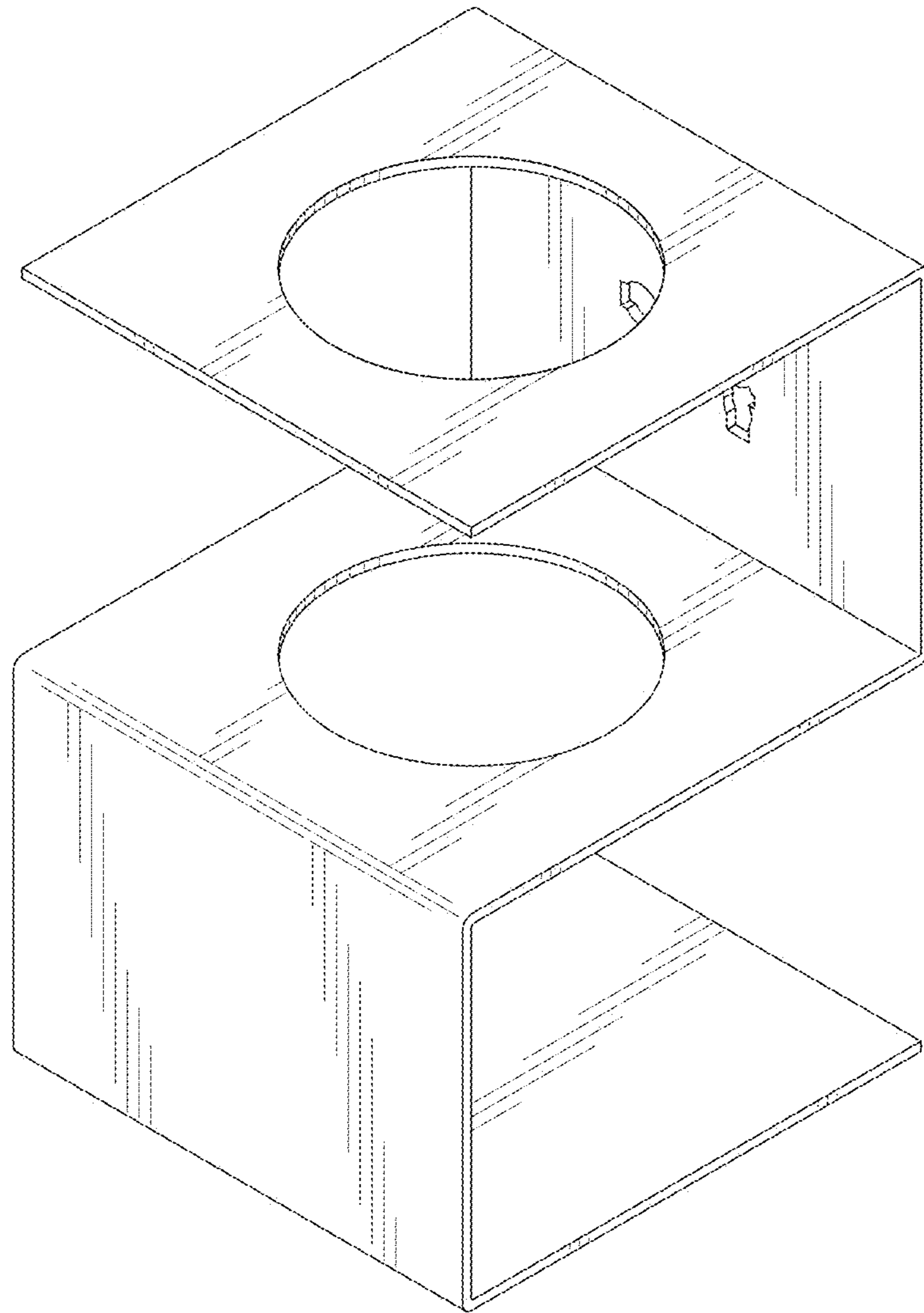


FIG. 7

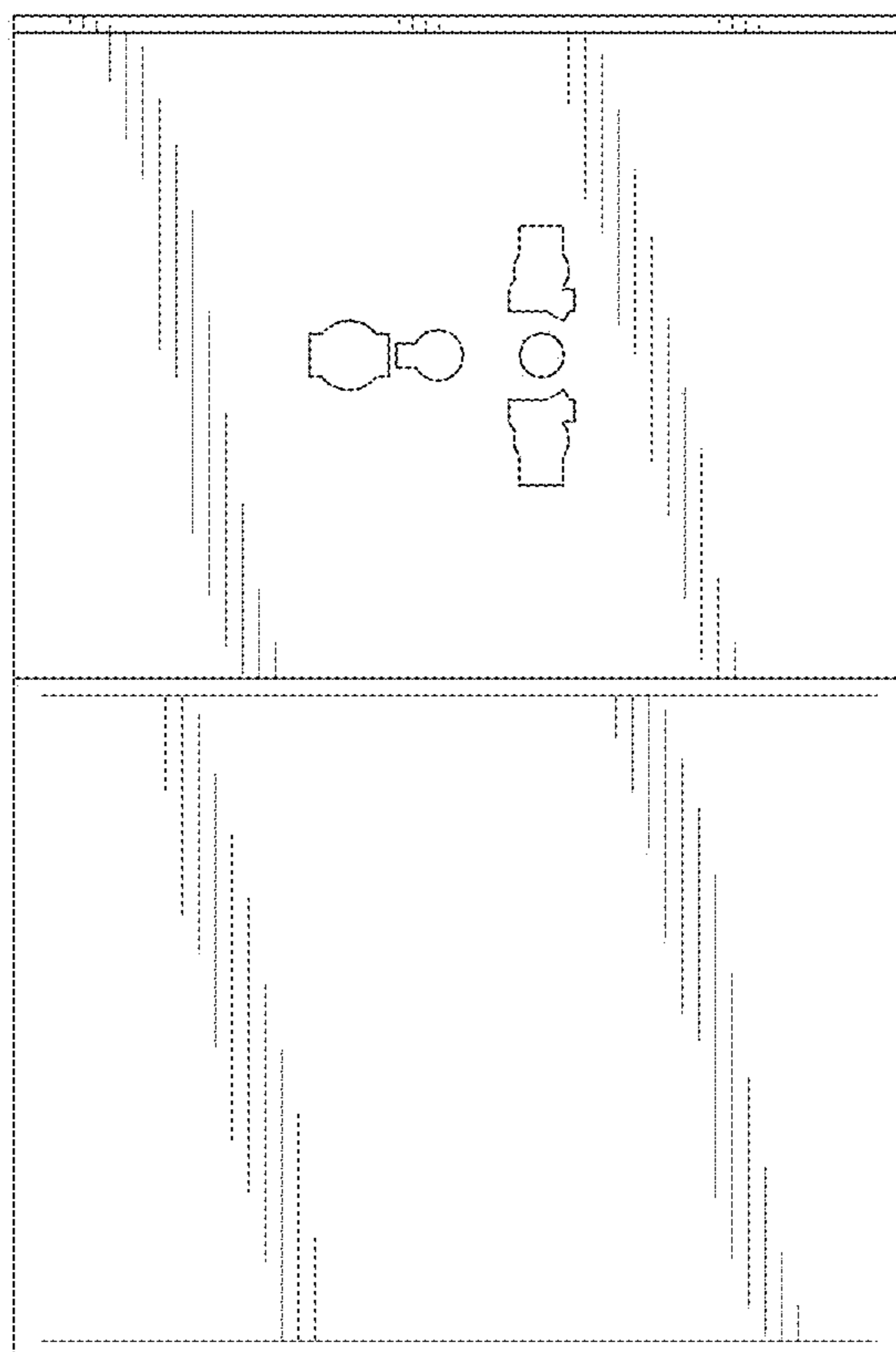


FIG. 8

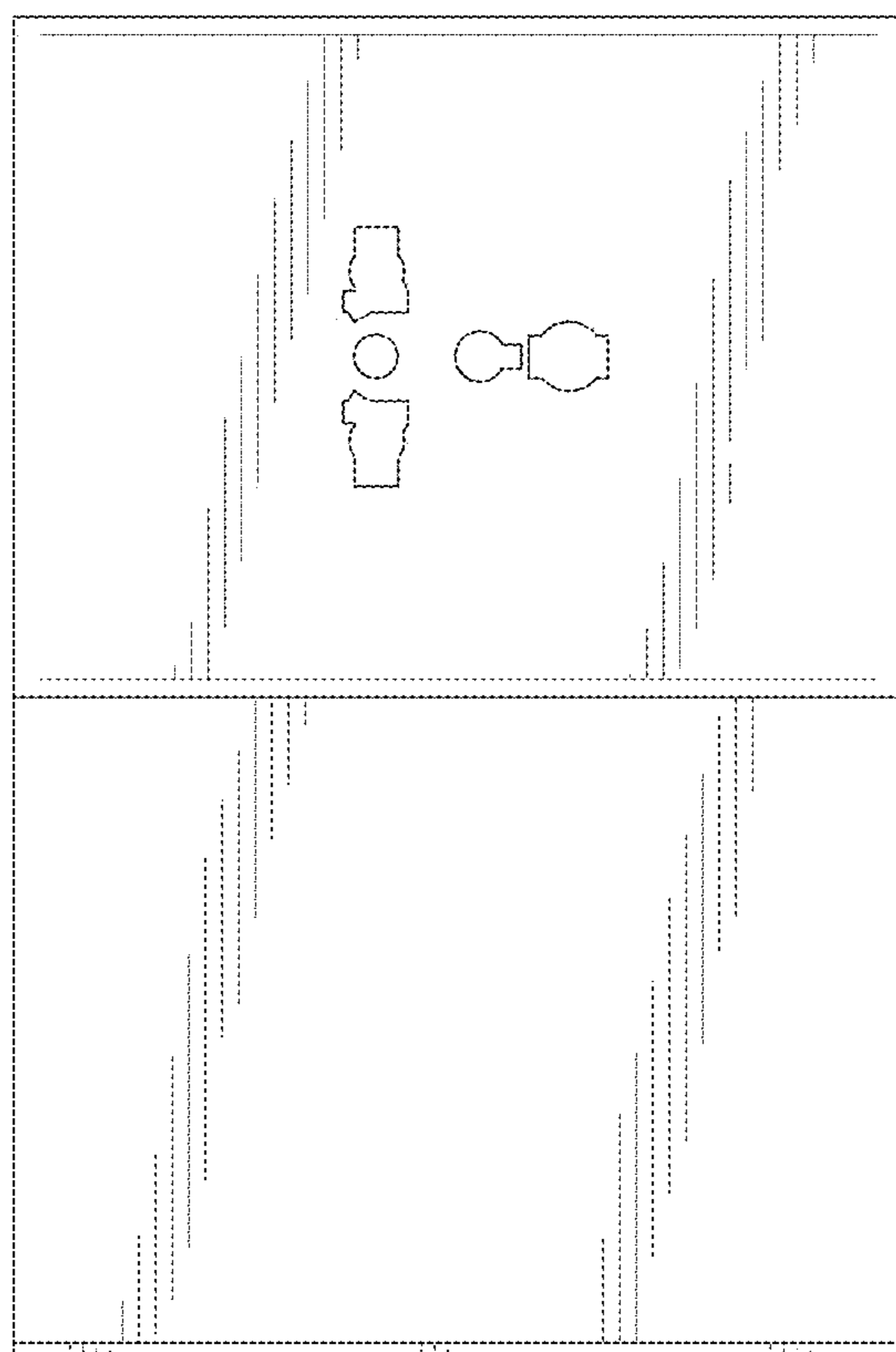


FIG. 9

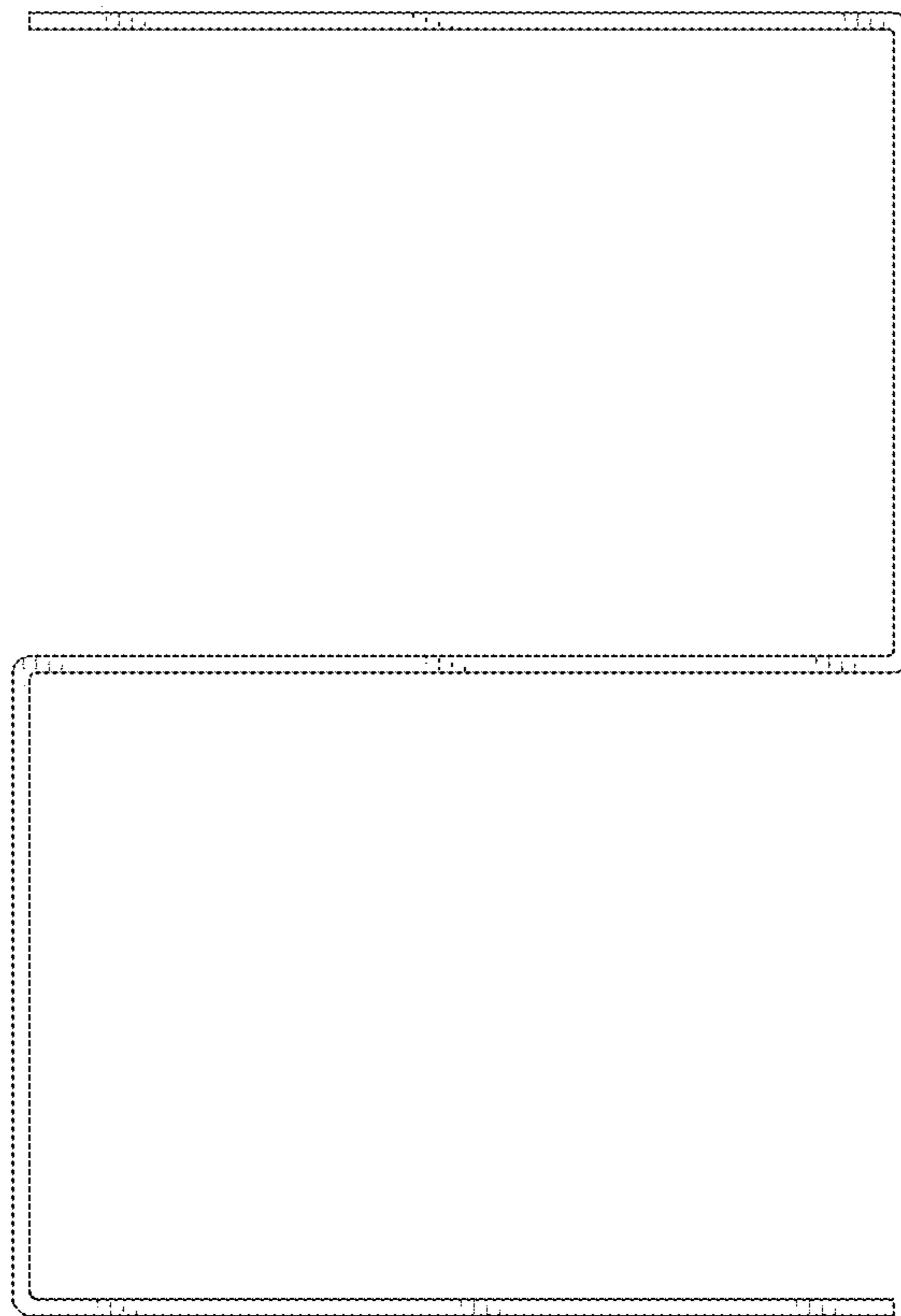


FIG. 10

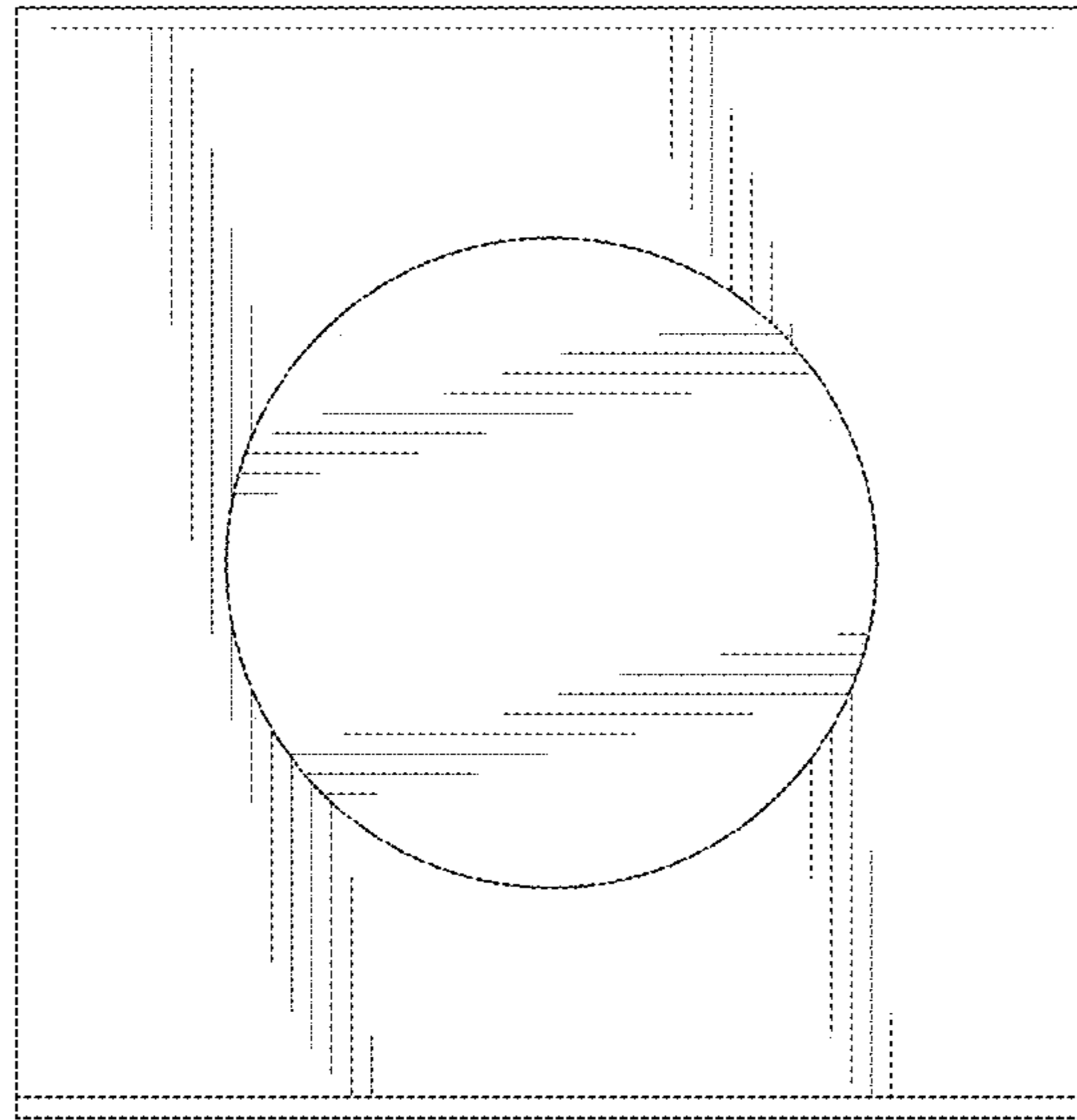


FIG. 11

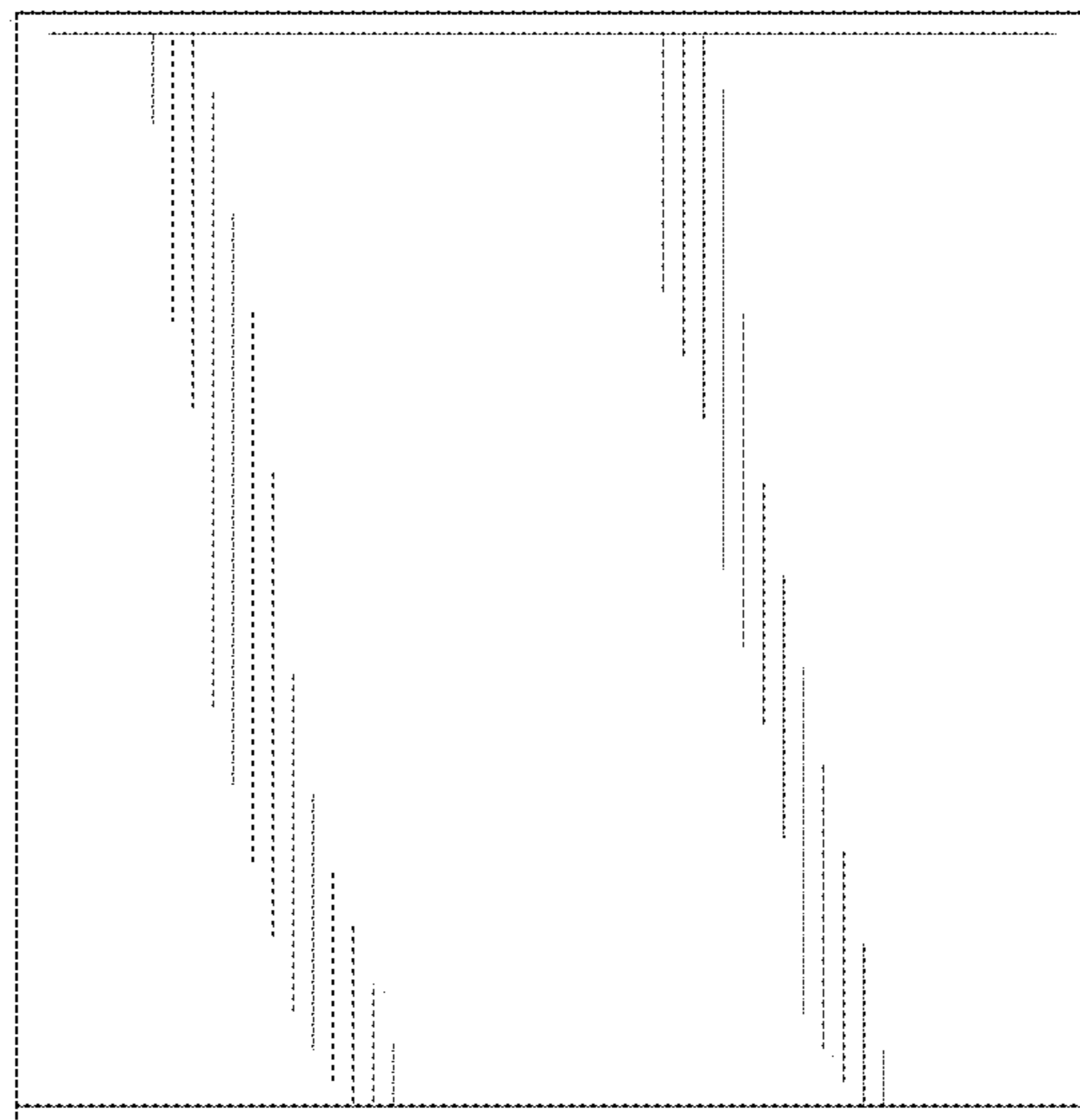


FIG. 12