



US00D872517S

(12) **United States Design Patent**  
**Roland et al.**

(10) **Patent No.:** **US D872,517 S**  
(45) **Date of Patent:** **\*\* Jan. 14, 2020**

(54) **SLOW COOKER**

(71) Applicant: **Spectrum Brands, Inc.**, Middleton, WI (US)

(72) Inventors: **Gregory D. Roland**, Verona, WI (US);  
**Jacob Daniel Smith**, Middleton, WI (US); **Francisco Javier Barquin**,  
Madison, WI (US)

(73) Assignee: **Spectrum Brands, Inc.**, Middleton, WI (US)

(\*\*) Term: **15 Years**

(21) Appl. No.: **29/626,803**

(22) Filed: **Nov. 20, 2017**

**Related U.S. Application Data**

(63) Continuation of application No. 29/557,007, filed on Mar. 4, 2016, now Pat. No. Des. 802,989.

(51) **LOC (12) Cl.** ..... **07-02**

(52) **U.S. Cl.**  
USPC ..... **D7/360**

(58) **Field of Classification Search**  
USPC ..... D7/323, 337, 339-341, 352, 354-358,  
D7/360, 362-367, 393, 402-403,  
D7/407-411, 601, 605; D3/276  
CPC ..... A21B 1/06; A21B 1/50; A21B 1/52; A47J  
37/04; A47J 37/06; A47J 37/015; A47J  
37/067; A47J 37/0611; A47J 37/0629;  
A47J 37/0676; A47J 37/108; F24C 7/06;  
F24C 7/083; F24C 15/02; F24C 15/66;  
H05B 3/20; H05B 3/40

See application file for complete search history.

(56) **References Cited**

**U.S. PATENT DOCUMENTS**

D329,570 S 9/1992 Gerlach  
D420,246 S 2/2000 Alonge et al.

D425,360 S 5/2000 Dobson et al.  
D433,869 S 11/2000 Wong et al.  
D434,940 S 12/2000 Hlava et al.  
D556,504 S 12/2007 Averty  
D568,676 S 5/2008 Steiner et al.  
D635,818 S 4/2011 Tse

(Continued)

**FOREIGN PATENT DOCUMENTS**

CN 203898088 U \* 10/2014

**OTHER PUBLICATIONS**

Black+Decker 7-Quart Digital Slow Cooker with Chalkboard Surface, posted Sep. 30, 2016 [online], retrieved Aug. 1, 2018, retrieved from internet, <[https://www.amazon.com/dp/B01LZZLQUL/ref=psdc\\_289940\\_t1\\_B01M1A1TCV](https://www.amazon.com/dp/B01LZZLQUL/ref=psdc_289940_t1_B01M1A1TCV)>.\*

(Continued)

*Primary Examiner* — Barbara Fox

*Assistant Examiner* — Messina L Smith

(74) *Attorney, Agent, or Firm* — Banner & Witcoff, Ltd.

(57) **CLAIM**

The ornamental design for a slow cooker, as shown and described.

**DESCRIPTION**

FIG. 1 is a front perspective view of a slow cooker showing our new design;

FIG. 2 is a front view thereof;

FIG. 3 is a rear view thereof;

FIG. 4 is a left side view thereof;

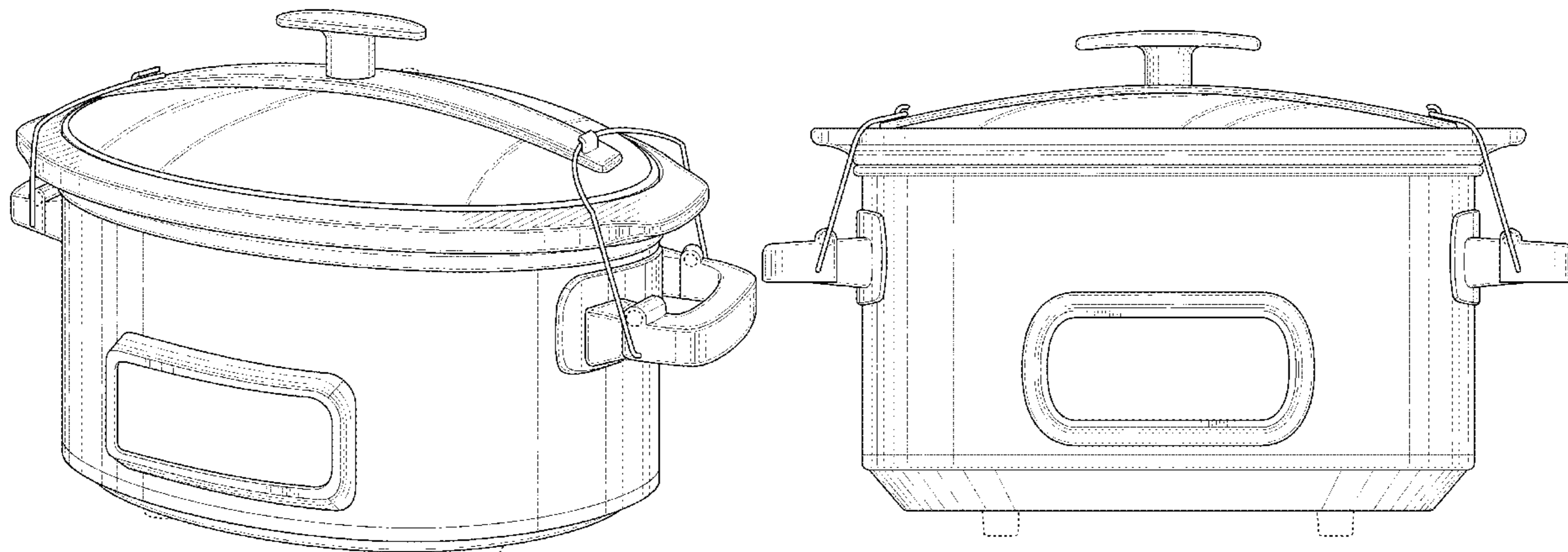
FIG. 5 is a right side view thereof;

FIG. 6 is a top view thereof; and,

FIG. 7 is a bottom view thereof.

The unshaded bottom surface, indicated with broken lines, forms no part of the claimed design. The remainder of the broken lines show portions of the slow cooker that form no part of the claimed design.

**1 Claim, 7 Drawing Sheets**



(56)

**References Cited**

U.S. PATENT DOCUMENTS

D641,202 S 7/2011 Bock et al.  
 D682,009 S 5/2013 Day et al.  
 8,648,282 B2\* 2/2014 Garcia ..... A47J 27/004  
 219/432  
 D701,416 S 3/2014 Day et al.  
 D730,107 S 5/2015 MacInnis et al.  
 D796,895 S \* 9/2017 Blaise ..... D7/354  
 D802,989 S \* 11/2017 Roland ..... D7/360  
 D803,616 S \* 11/2017 Day ..... D7/360  
 2006/0130669 A1\* 6/2006 Crow ..... A47J 45/061  
 99/403  
 2007/0210061 A1\* 9/2007 Tynes ..... A47J 27/004  
 219/433  
 2007/0221651 A1\* 9/2007 Kristina ..... A47J 27/004  
 219/432  
 2010/0251902 A1\* 10/2010 Schandel ..... A47J 27/004  
 99/348  
 2011/0147365 A1\* 6/2011 Pellerin ..... A47J 27/004  
 219/440

2012/0223067 A1\* 9/2012 Gaynor ..... A47J 36/10  
 219/438  
 2014/0103050 A1\* 4/2014 Li ..... A47J 27/0813  
 220/573.4  
 2014/0227401 A1\* 8/2014 Kounlavong ..... A47J 27/09  
 426/231

OTHER PUBLICATIONS

7-Quart Digital Slow Cooker, posted at Blackanddeckerappliances.com, posted on 2015, site visited Feb. 24, 2017, <<http://www.blackanddeckerappliances.com/products/cooking-appliances/slow-cookers/SCD1007-7-quart-digital-slow-cooker-stainless-steel.aspx>>.  
 Black+Decker SCD1007 7 Quart Programmable Slow Cooker with Digital Timer, Portable with Locking Lid, Stainless Steel, posted at Amazon.com, posted on Dec. 2, 2016, site visited Feb. 24, 2017, <<https://www.amazon.com/BLACK-DECKER-SCD1007-Programmable-Stainless/dp/B01M1A!TCV>>.

\* cited by examiner

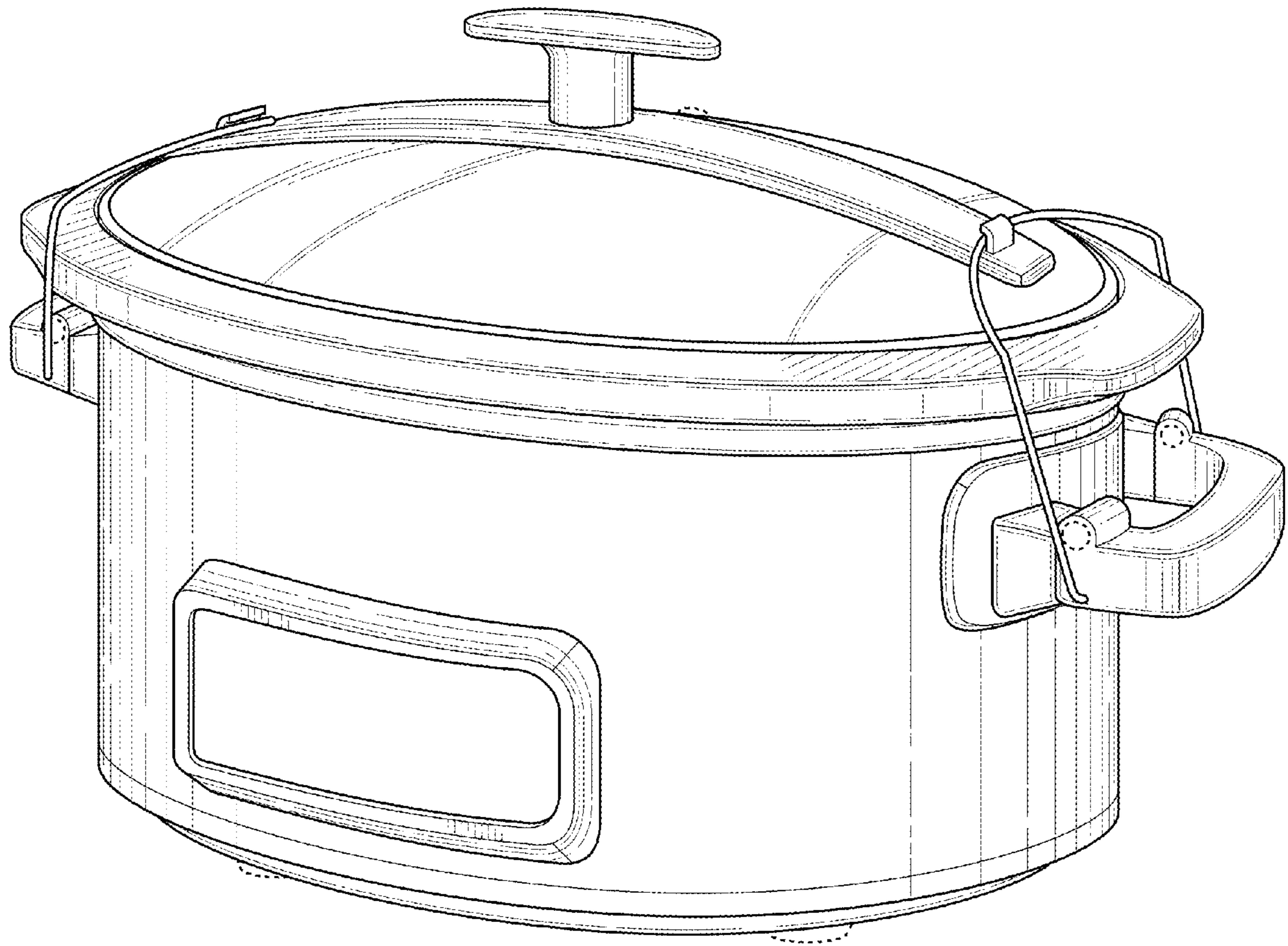


FIG. 1

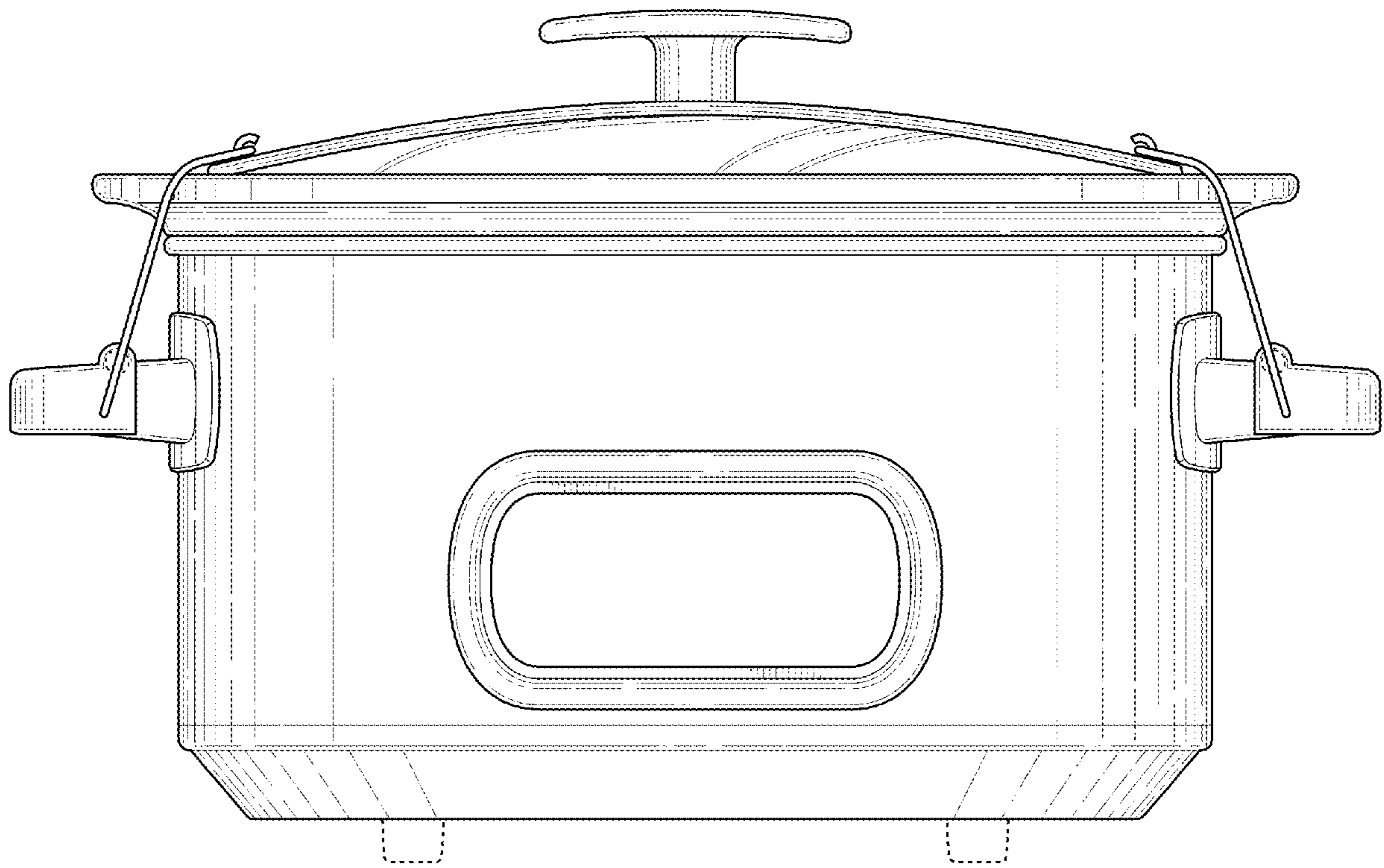


FIG. 2

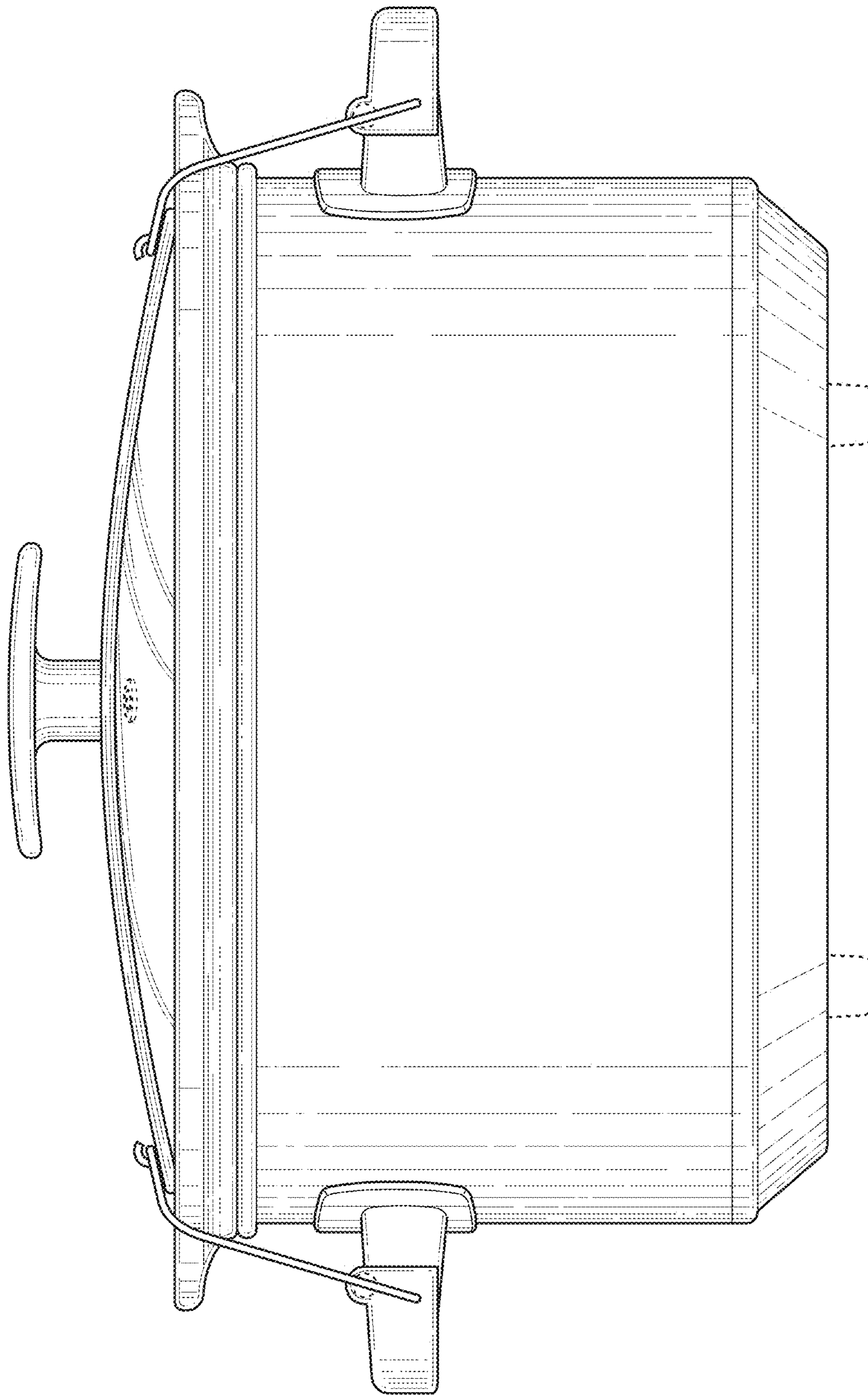


FIG. 3

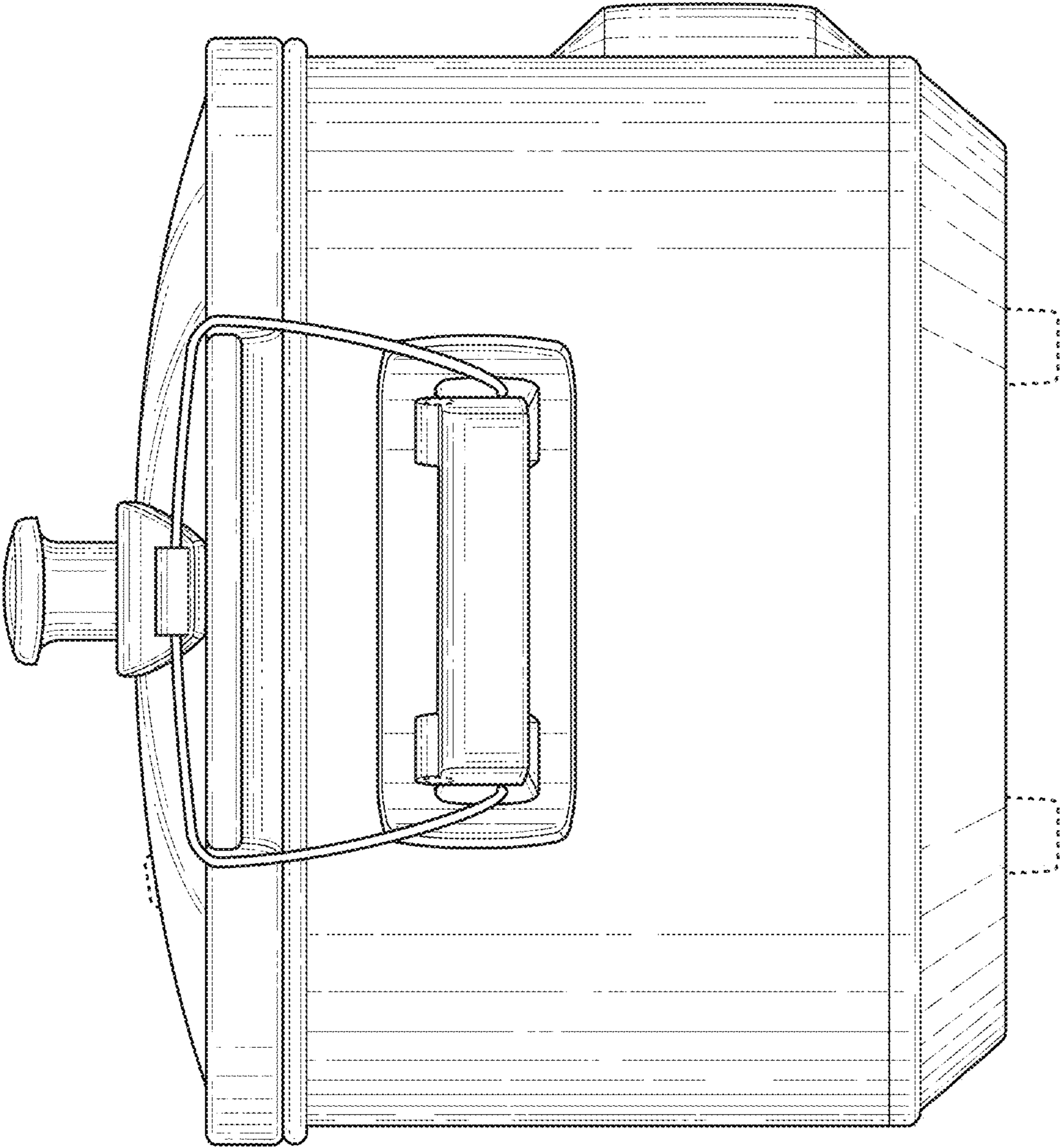


FIG. 4

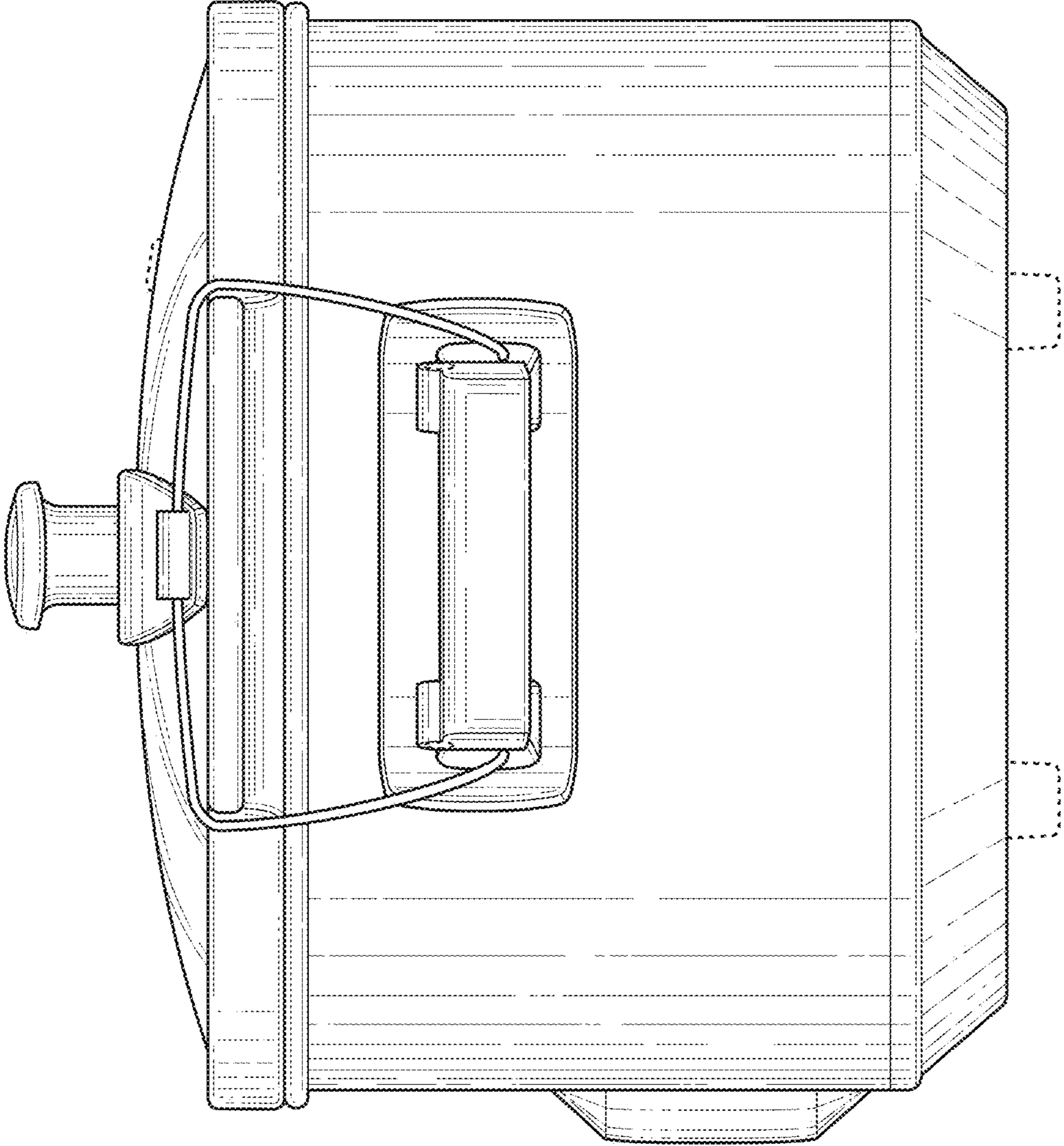


FIG. 5

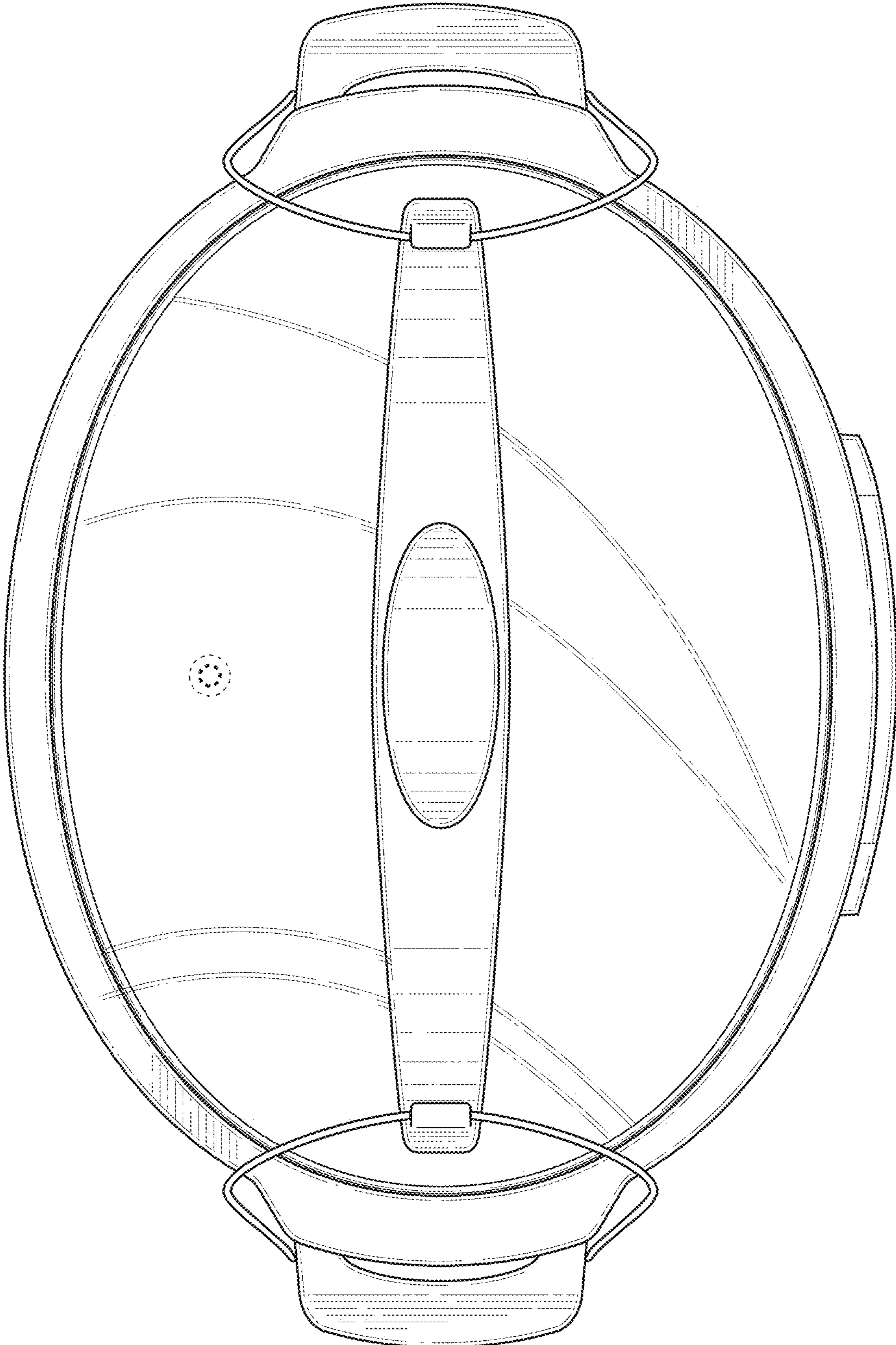


FIG. 6



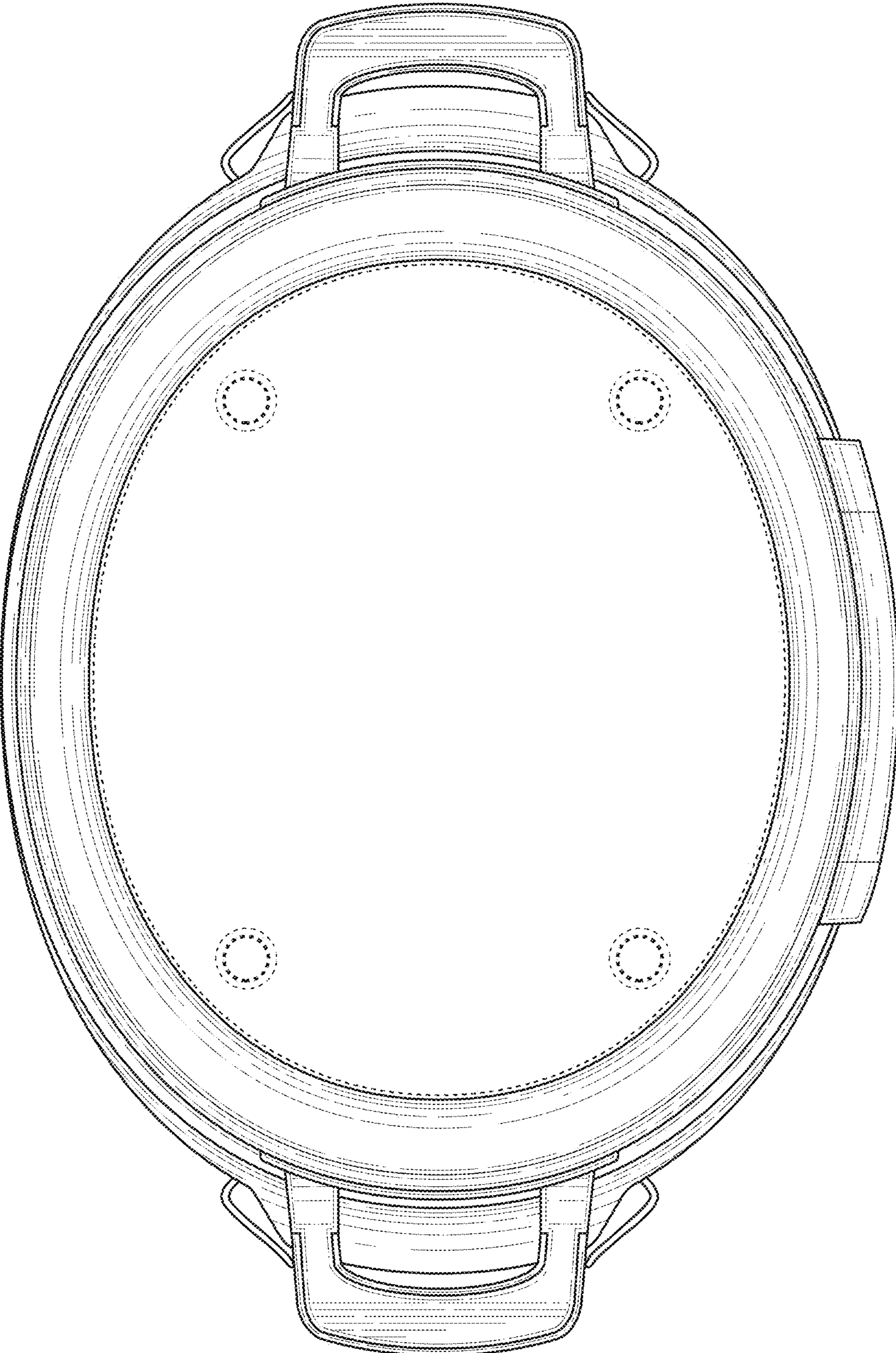


FIG. 7