



US00D872515S

(12) **United States Design Patent**
Powell

(10) **Patent No.:** **US D872,515 S**
(45) **Date of Patent:** **** Jan. 14, 2020**

(54) **ELECTRIC KETTLE**
(71) Applicant: **SEB SAS**, Selongey (FR)
(72) Inventor: **Dick Powell**, London (GB)
(**) Term: **15 Years**
(21) Appl. No.: **35/504,705**
(22) Filed: **Mar. 21, 2018**
(80) **Hague Agreement Data**
Int. Filing Date: **Mar. 21, 2018**
Int. Reg. No.: **DM/100335**
Int. Reg. Date: **Mar. 21, 2018**
Int. Reg. Pub. Date: **Apr. 6, 2018**

(30) **Foreign Application Priority Data**
Oct. 18, 2017 (FR) 2017-4760
(51) **LOC (12) Cl.** **07-01**
(52) **U.S. Cl.**
USPC **D7/319**
(58) **Field of Classification Search**
USPC D7/312, 316, 317, 318, 319, 321, 354
CPC A47J 27/21008; A47J 27/2105; A47J
27/21016; A47J 27/21058; H05B 1/0269
See application file for complete search history.

(56) **References Cited**
U.S. PATENT DOCUMENTS
D285,160 S 8/1986 Osit
4,623,457 A 11/1986 Hankammer
D322,007 S 12/1991 Adams et al.
D339,023 S 9/1993 De Coster
D345,670 S 4/1994 Piret
D362,151 S 9/1995 Wilson et al.
D362,582 S 9/1995 Wilson et al.
D366,388 S 1/1996 Anghini
D390,743 S 2/1998 Saltet

D393,569 S 4/1998 Lai et al.
D399,090 S 10/1998 Green
D437,175 S 2/2001 Brady
D439,466 S 3/2001 Bouhuys
D442,014 S 5/2001 Haring et al.
D463,947 S 10/2002 Choi
D475,233 S 6/2003 De Visser
6,755,120 B1 6/2004 Lin
D494,803 S 8/2004 Bodum
D498,384 S 11/2004 McWilliam
D498,638 S 11/2004 Morrison
D528,846 S 9/2006 Tamura
D544,288 S 6/2007 Berlencourt
D554,425 S 11/2007 Schwamkrug
D562,053 S 2/2008 Cohen
D581,718 S 12/2008 Verdun
D595,534 S 7/2009 Mankowitz
7,569,797 B2* 8/2009 Labelle A47J 27/21175
219/438
D599,161 S 9/2009 Friel, Sr. et al.
D602,304 S 10/2009 Elissen
D603,209 S 11/2009 Bodum
D607,686 S 1/2010 Elissen
D630,882 S 1/2011 Cohen

(Continued)

Primary Examiner — Nicole C Shiflet

(57) **CLAIM**

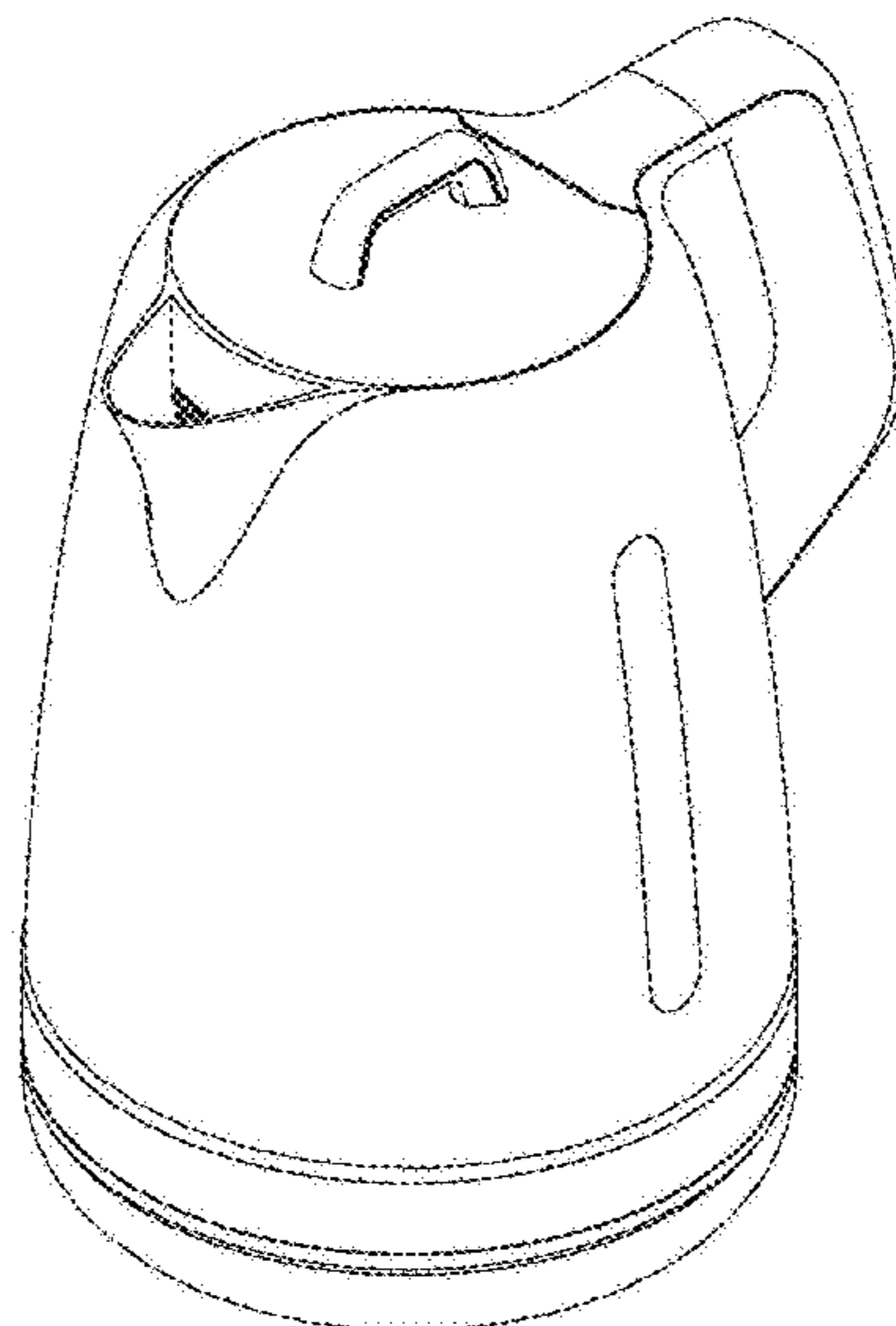
The ornamental design for an electric kettle, as shown and described.

DESCRIPTION

- 1. Electric kettle
- 1.1 : Front
- 1.2 : Back
- 1.3 : Left
- 1.4 : Top
- 1.5 : Right
- 1.6 : Bottom
- 1.7 : Perspective

The portions of the electric kettle shown by grey coloring form no part of the claimed design.

1 Claim, 7 Drawing Sheets



(56)

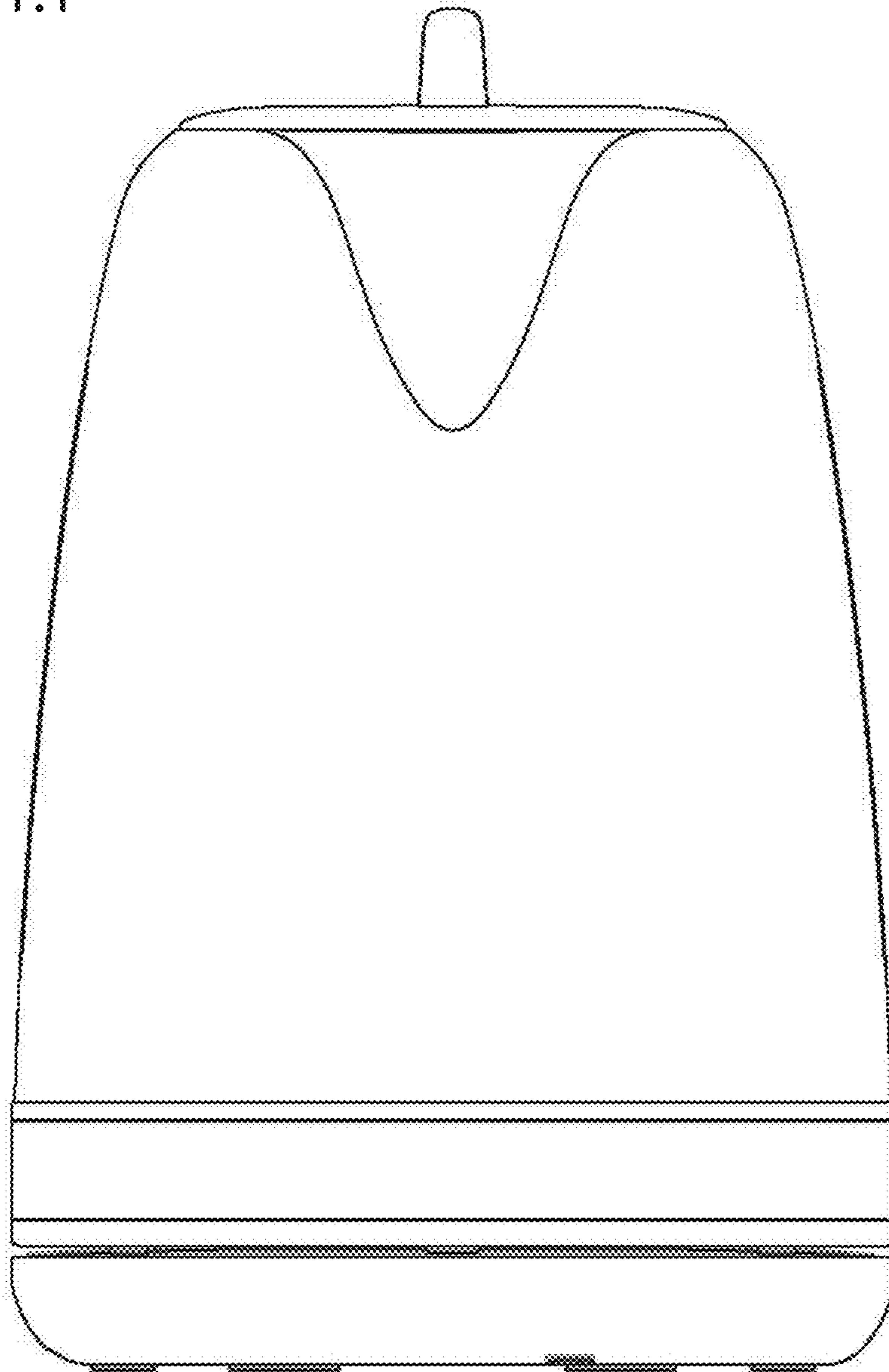
References Cited

U.S. PATENT DOCUMENTS

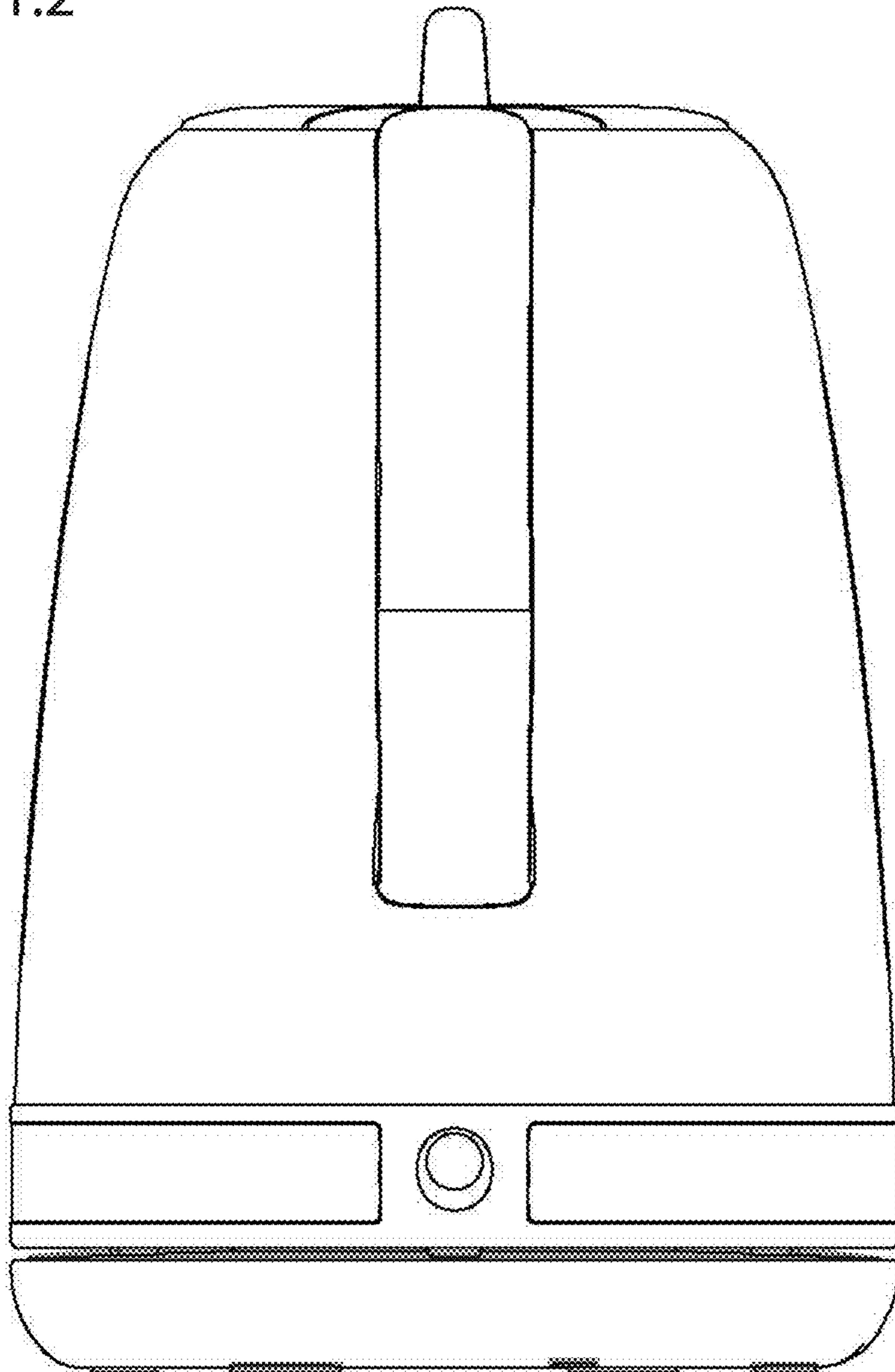
D658,925	S	5/2012	Horimoto	
D666,865	S	9/2012	Spivey et al.	
D686,034	S	7/2013	Bodum	
8,536,490	B2	9/2013	Zhang et al.	
D703,479	S	4/2014	Norland et al.	
D709,724	S	7/2014	Mander	
D714,581	S	10/2014	Shao	
D718,974	S	12/2014	De'Longhi	
D726,486	S	4/2015	Averty	
D727,675	S *	4/2015	Garvey	D7/319
D731,226	S	6/2015	Sun	
D747,130	S	1/2016	Kunz	
D752,911	S	4/2016	Bazzicalupo	
D777,500	S	1/2017	Lee et al.	
D779,259	S	2/2017	De'Longhi et al.	
D779,260	S	2/2017	De'Longhi et al.	
D788,511	S	6/2017	Powell	
D796,247	S	9/2017	Bazzicalupo	
D815,874	S *	4/2018	Chung	D7/319
D818,756	S	5/2018	Averty	
D818,757	S *	5/2018	Bodum	D7/319
D824,715	S *	8/2018	Bradshaw	D7/318
D827,355	S *	9/2018	Powell	D7/318
D829,034	S *	9/2018	Barquin	D7/318
D830,094	S *	10/2018	Barquin	D7/318
2011/0259871	A1 *	10/2011	Li	A47J 27/21158 219/441
2012/0145698	A1	6/2012	Von Seidel	
2017/0135513	A1 *	5/2017	Geurts	A47J 27/2105
2018/0296025	A1 *	10/2018	Pan	A47J 31/20

* cited by examiner

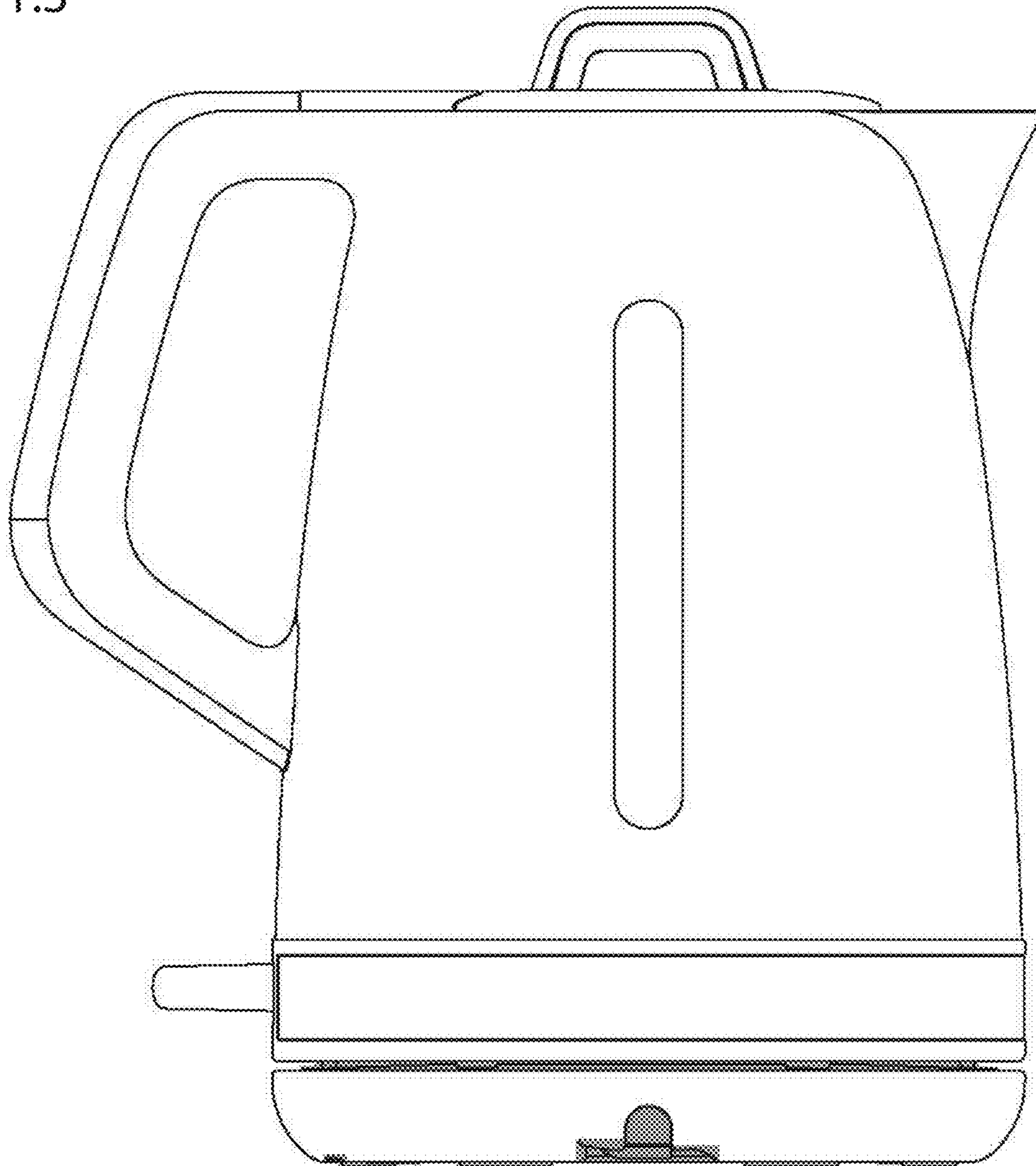
1.1



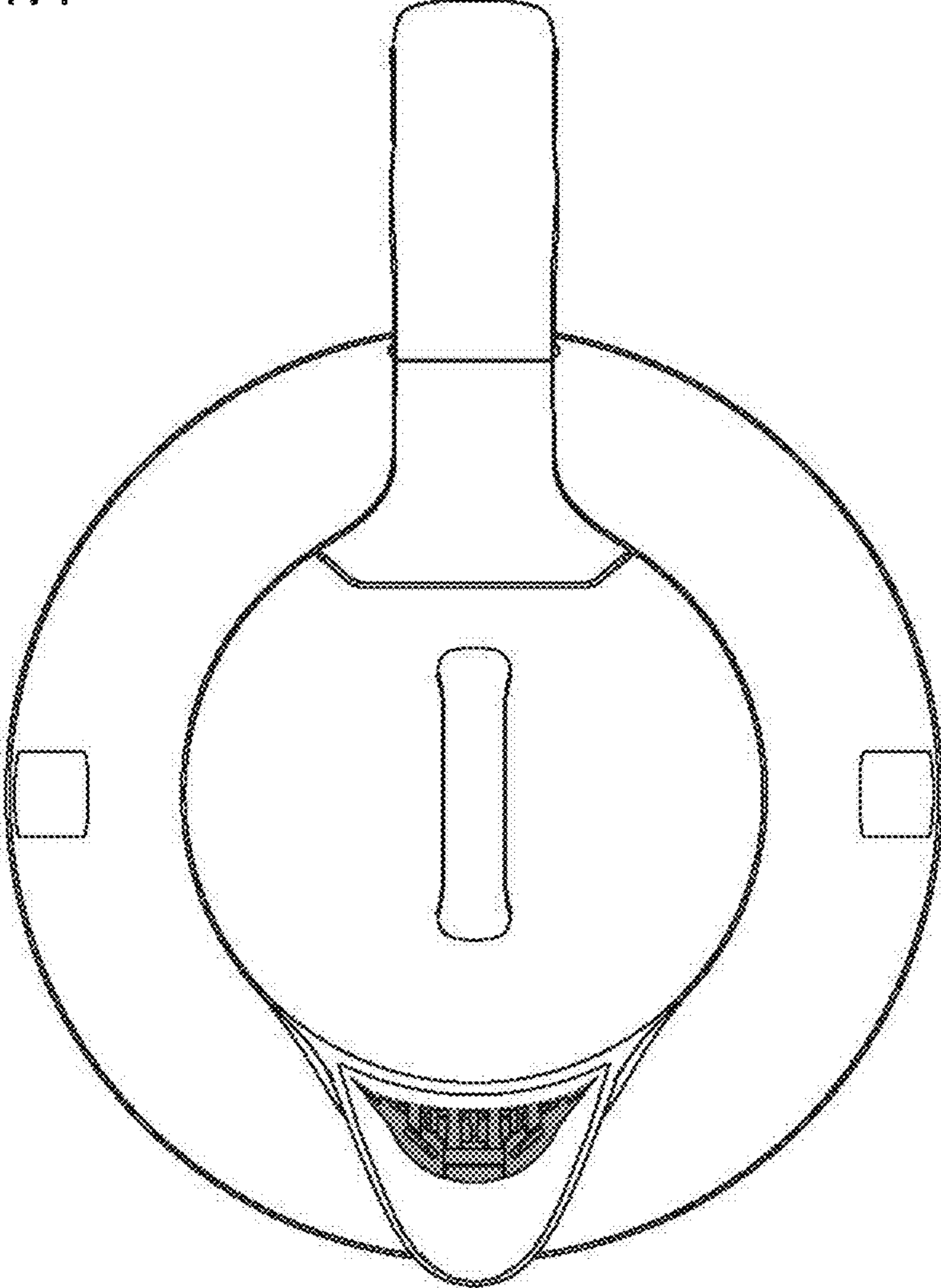
1.2



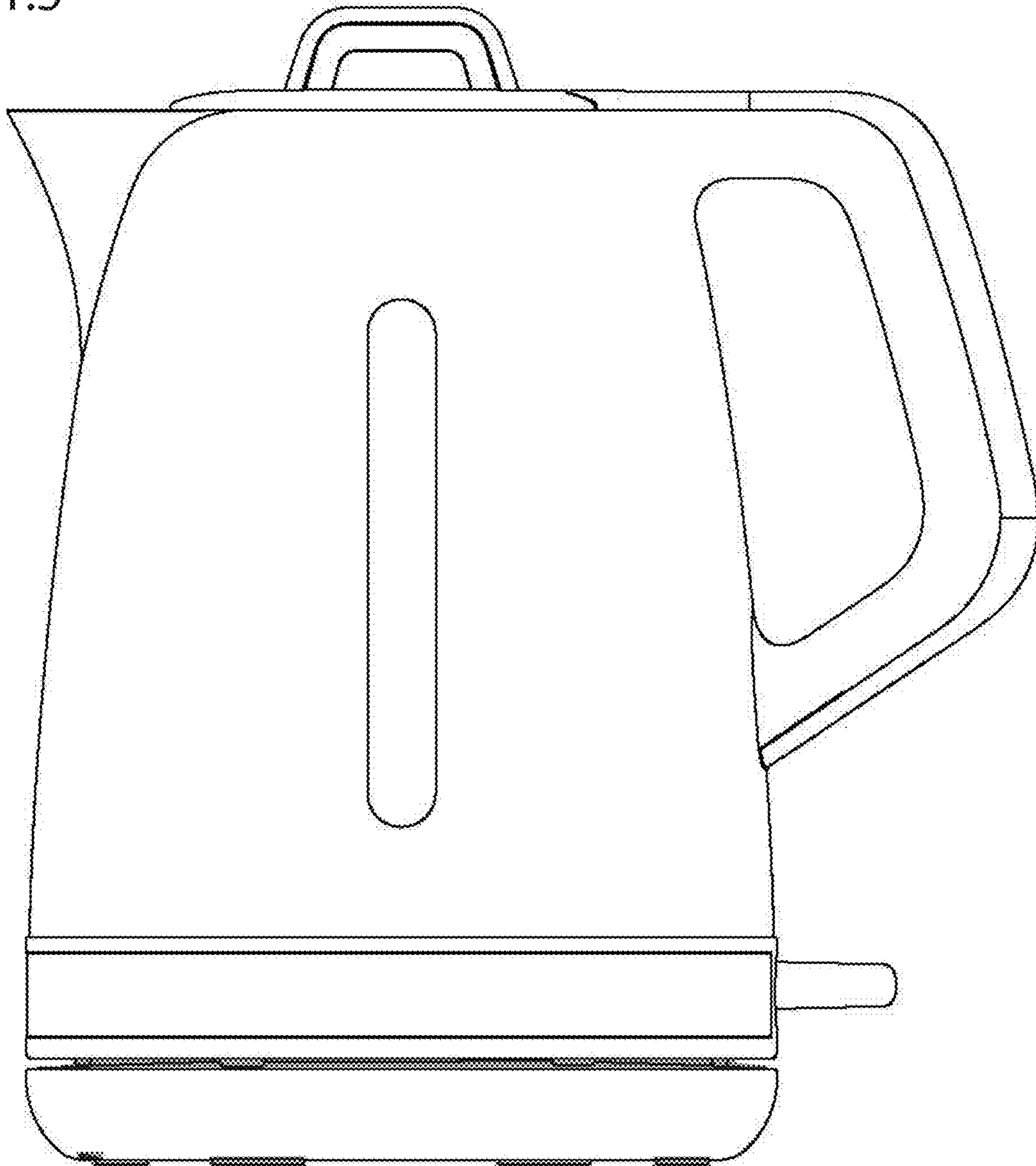
1.3



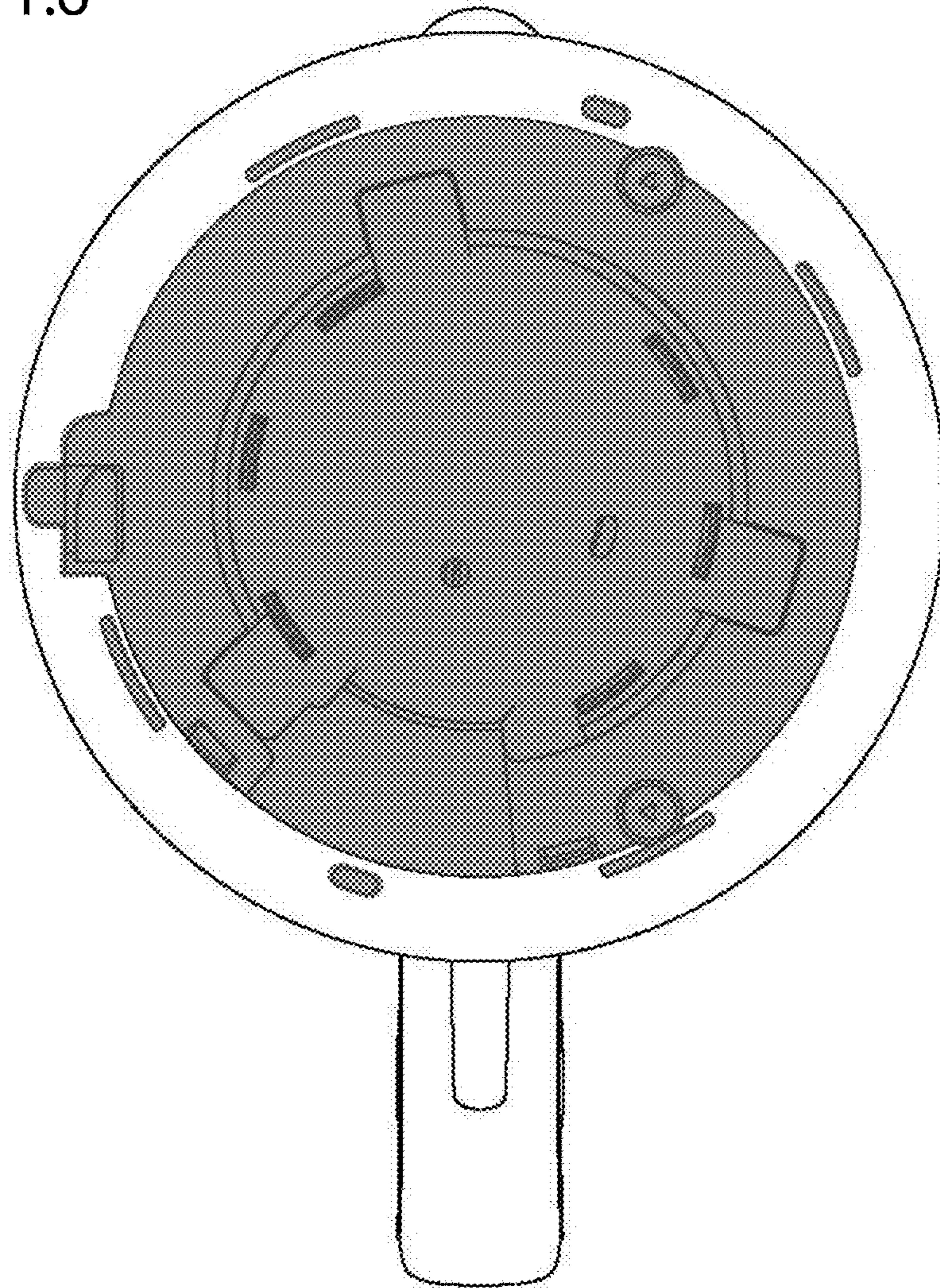
1.4



1.5



1.6



1.7

