



US00D872514S

(12) **United States Design Patent**
Byun

(10) **Patent No.:** **US D872,514 S**

(45) **Date of Patent:** **** Jan. 14, 2020**

(54) **DISPENSER**

(71) Applicant: **Société des Produits Nestlé S.A.**,
Vevey (CH)

(72) Inventor: **Da-Mi Byun**, Lausanne (CH)

(73) Assignee: **Société des Produits Nestlé S.A.**,
Vevey (CH)

(**) Term: **15 Years**

(21) Appl. No.: **29/638,098**

(22) Filed: **Feb. 23, 2018**

(30) **Foreign Application Priority Data**

Aug. 25, 2017 (CH) 143412

(51) **LOC (12) Cl.** **07-01**

(52) **U.S. Cl.**
USPC **D7/306; D7/311**

(58) **Field of Classification Search**
USPC D7/305-311, 313; D15/82; 222/129.1,
222/146.6; 99/295; D20/1
CPC A47J 31/44; A47J 31/4403; A47J 31/46;
A47J 31/4482; A47J 31/369; A47J 31/56;
A47J 31/407; A47J 31/10; A47J 31/467;
A47J 31/0615; B67D 1/36; B67D
2210/0065; B67D 1/0864; B67D 3/0061
See application file for complete search history.

(56) **References Cited**

U.S. PATENT DOCUMENTS

D481,901 S	*	11/2003	Daniels	D7/309
D540,101 S	*	4/2007	Cahen	D7/306
D556,496 S	*	12/2007	Fung	D7/307
D645,289 S	*	9/2011	Lenzi	D7/309
D785,393 S	*	5/2017	Palermo	D7/306
D840,735 S	*	2/2019	Dutrue	D7/309

* cited by examiner

Primary Examiner — Marianne N Pandozzi

(74) *Attorney, Agent, or Firm* — Finnegan, Henderson,
Farabow, Garrett & Dunner LLP

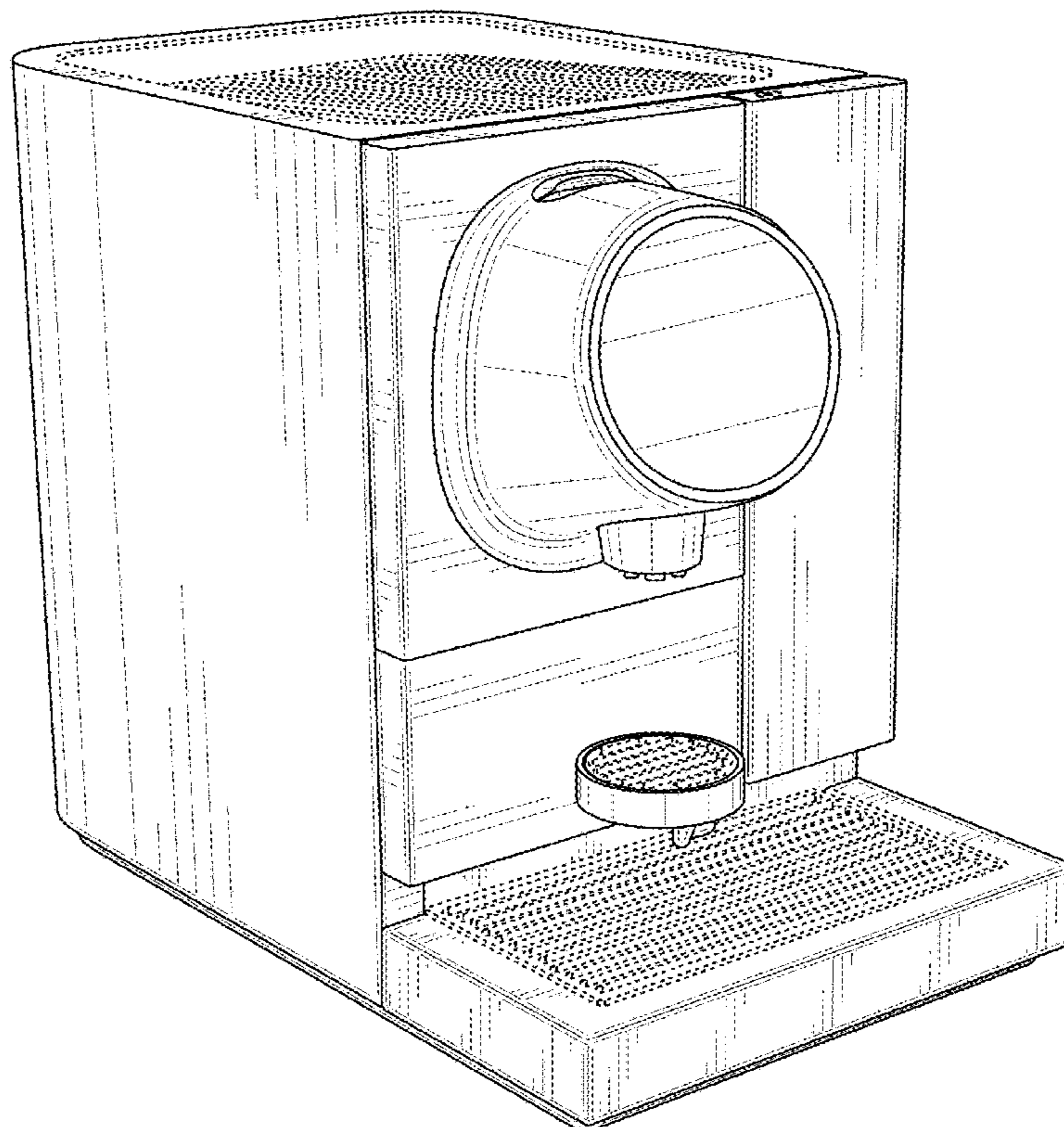
(57) **CLAIM**

The ornamental design for a dispenser, as shown and described.

DESCRIPTION

FIG. 1 is a top front, left perspective view of a dispenser showing my new design; FIG. 2 is a front elevation view thereof; FIG. 3 is a rear elevation view thereof; FIG. 4 is a left side view thereof; FIG. 5 is a right side view thereof; FIG. 6 is a top plan view thereof; and, FIG. 7 is a bottom plan view thereof. The broken lines of even length shown in the drawings illustrate portions of the dispenser that form no part of the claimed design.

1 Claim, 7 Drawing Sheets



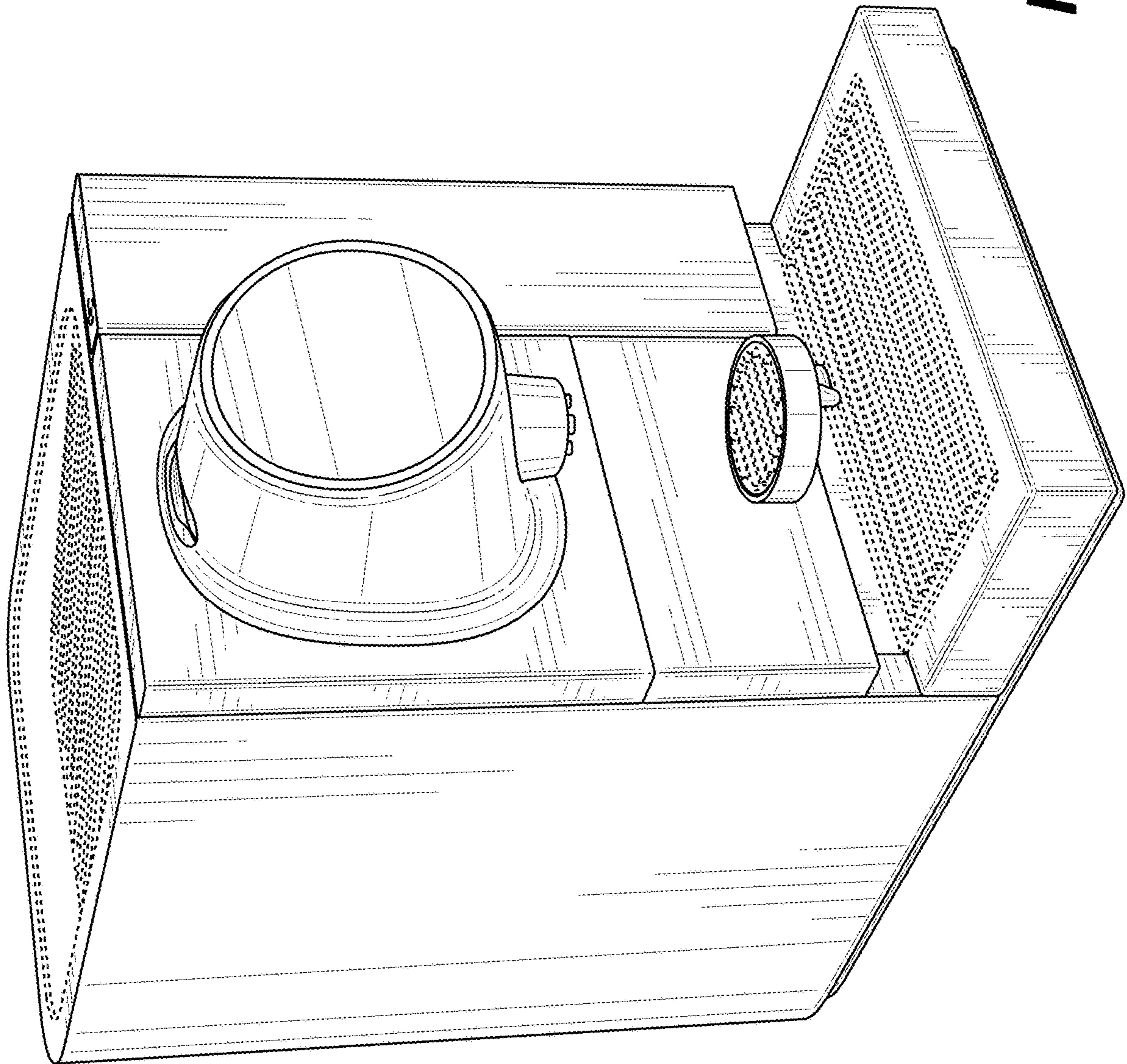


FIG. 1

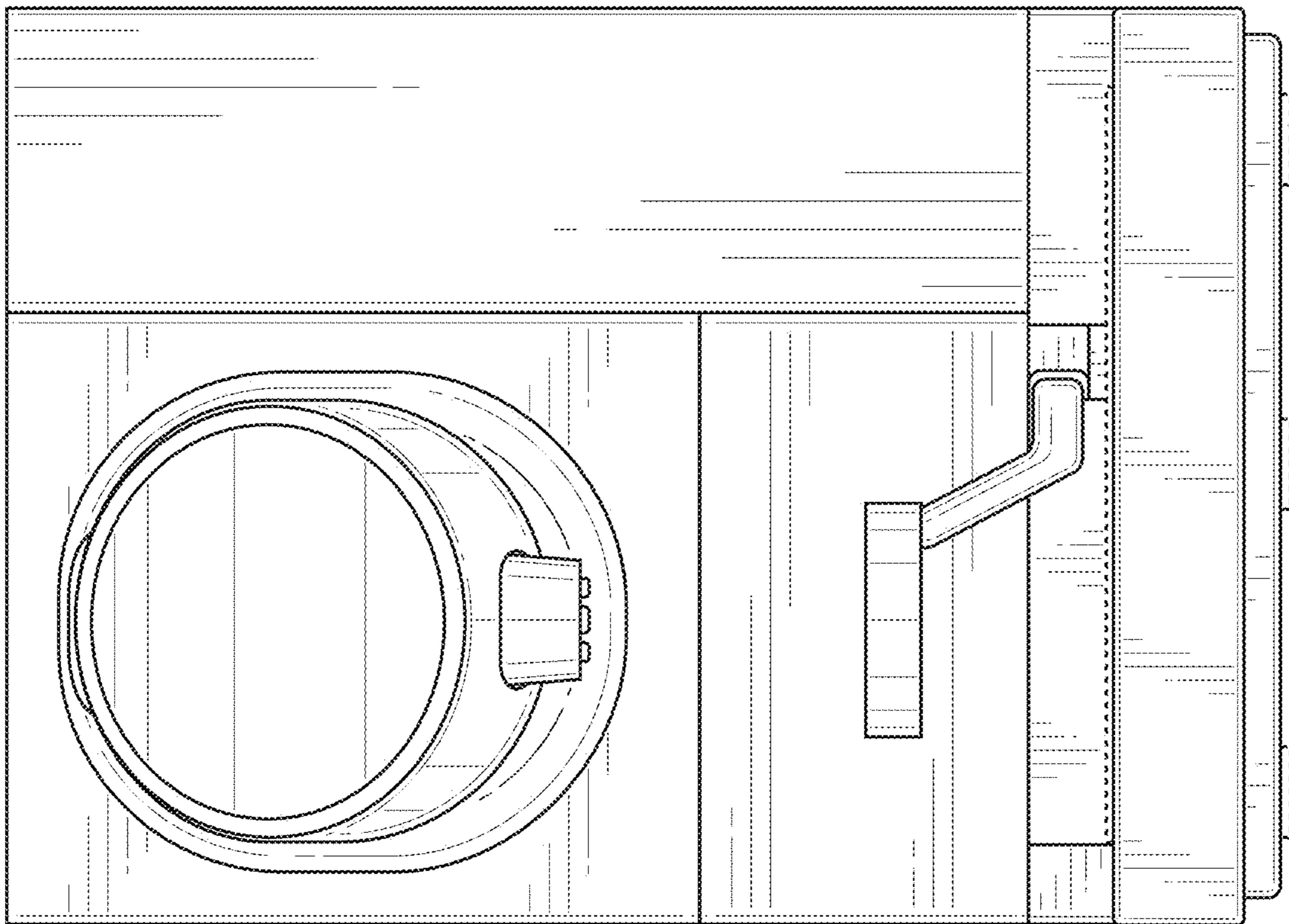


FIG. 2

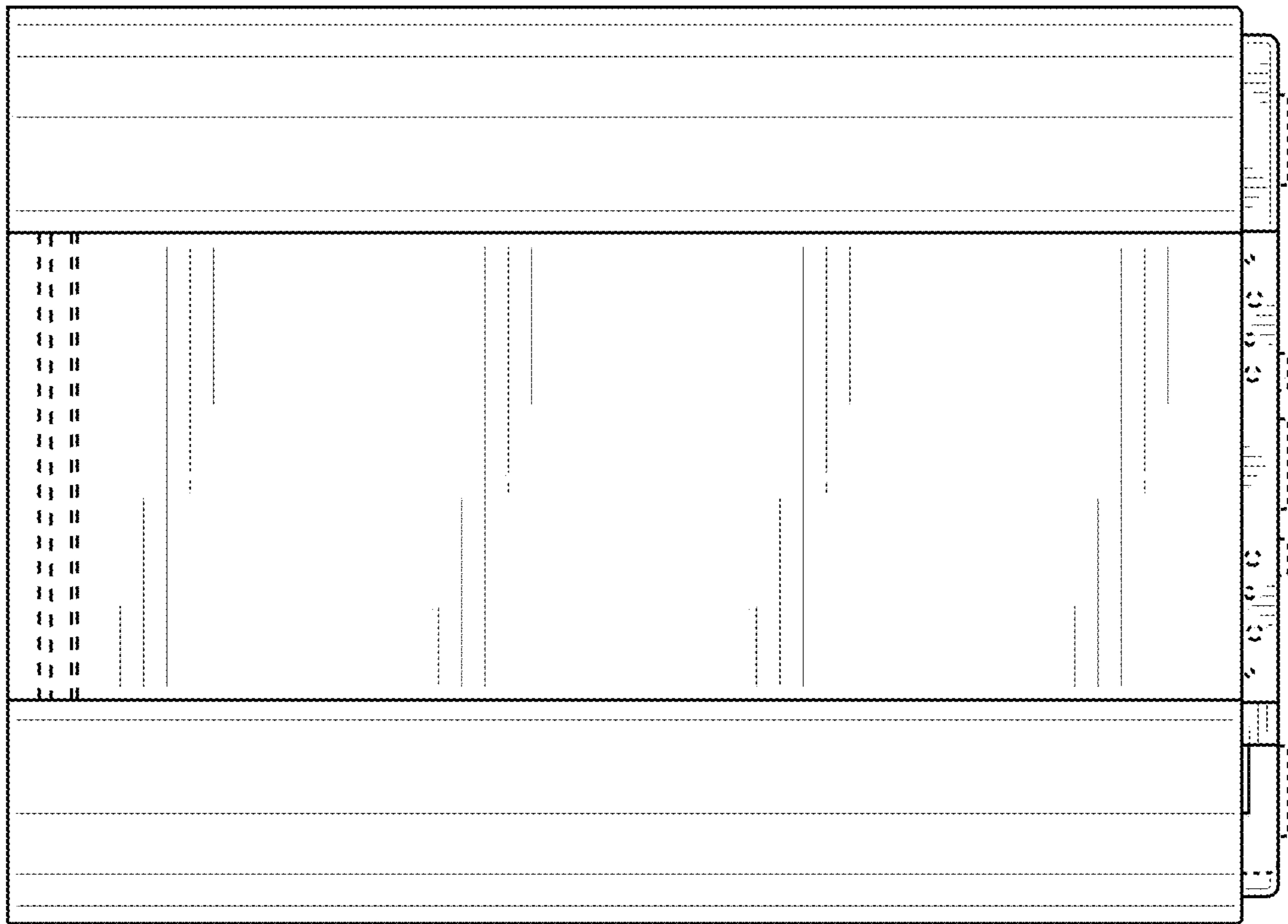


FIG. 3

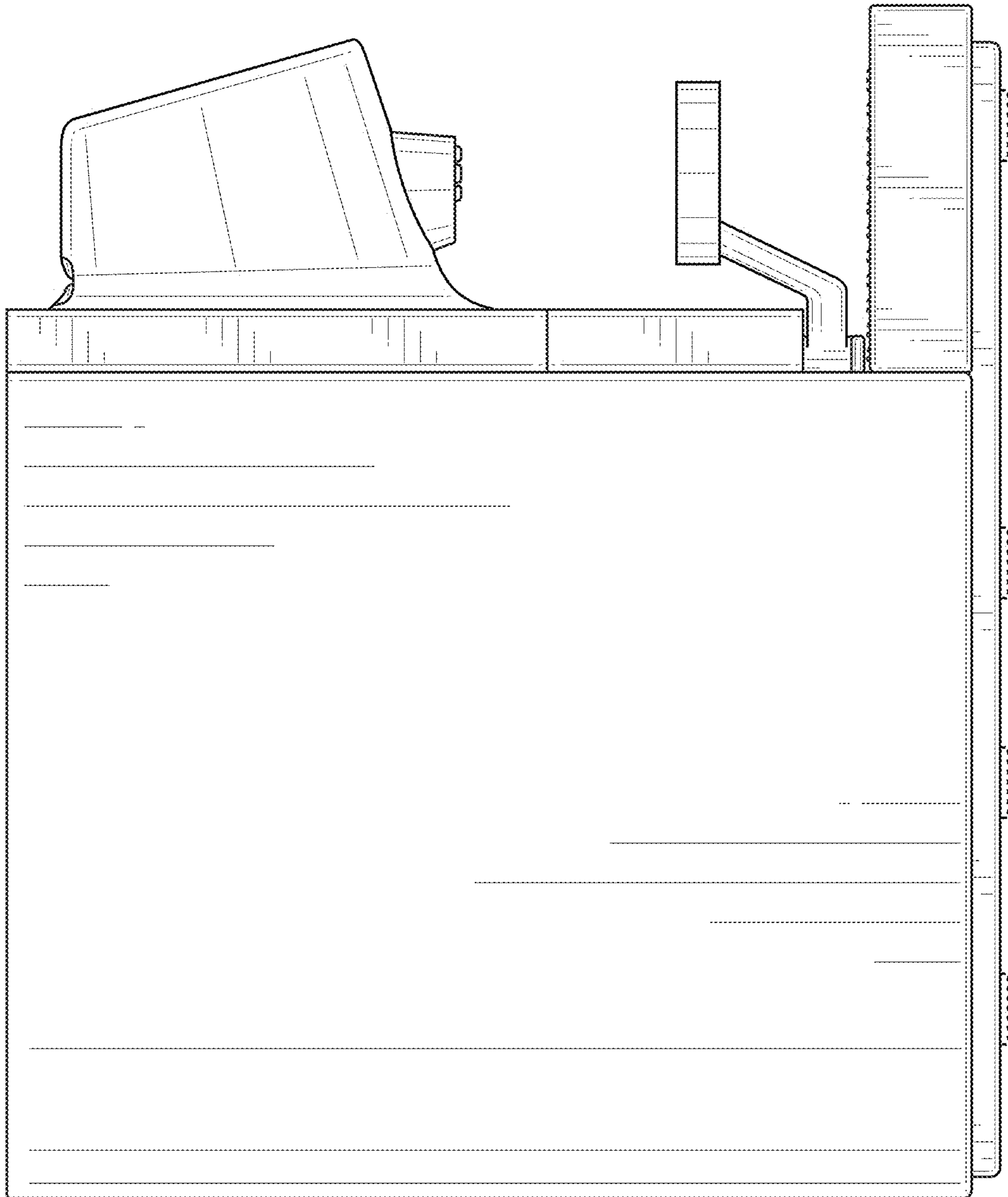


FIG. 4

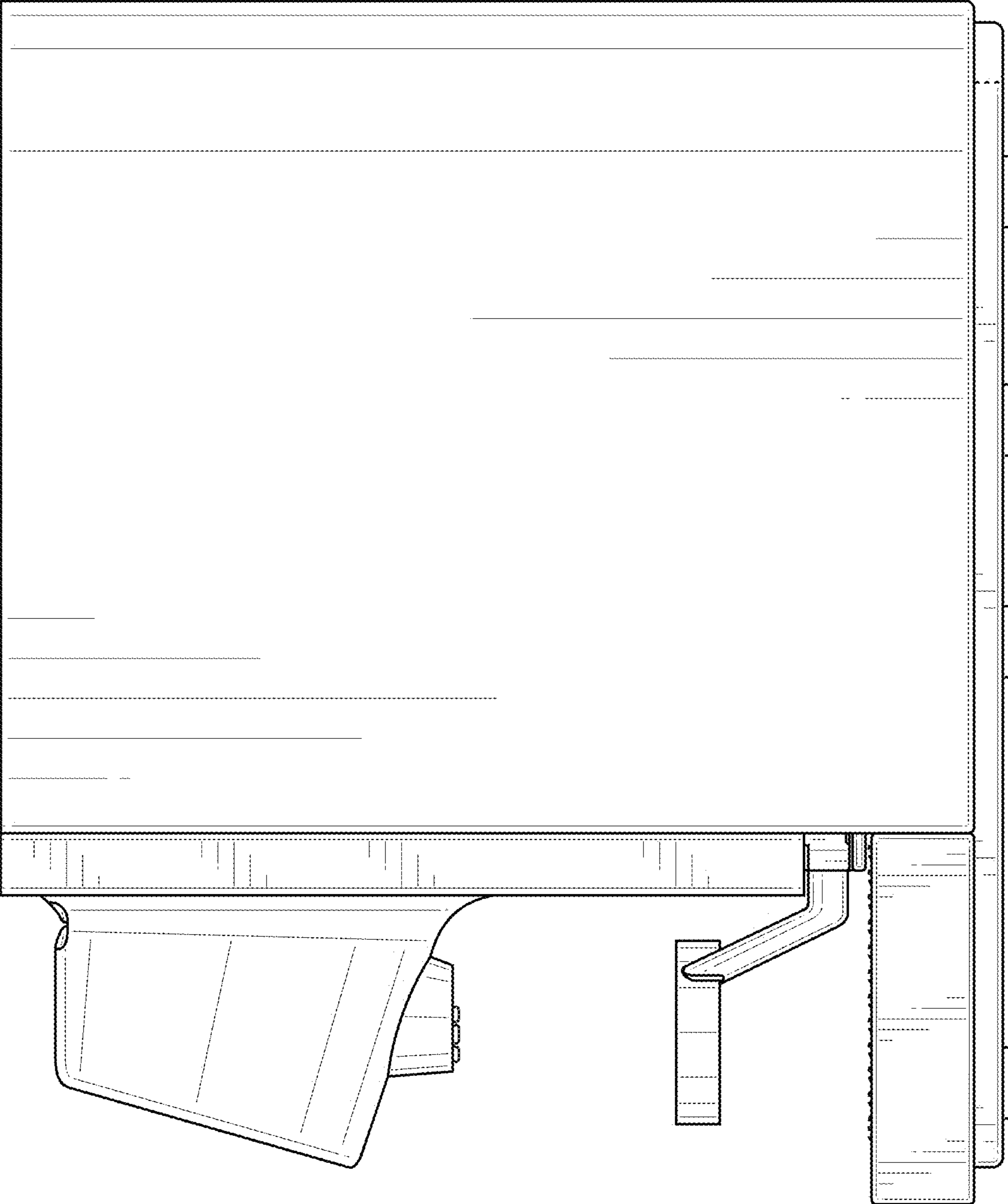


FIG. 5

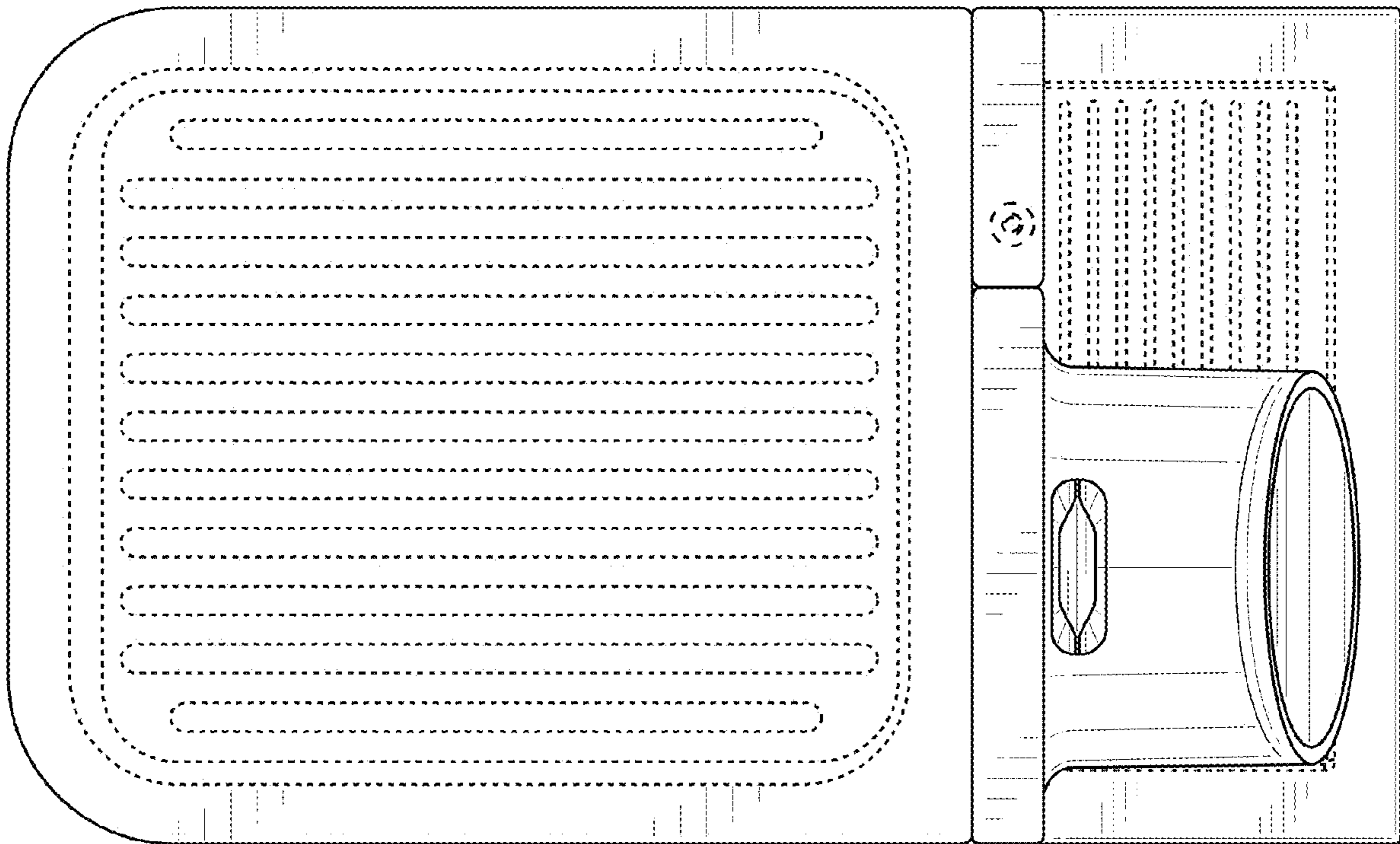


FIG. 6

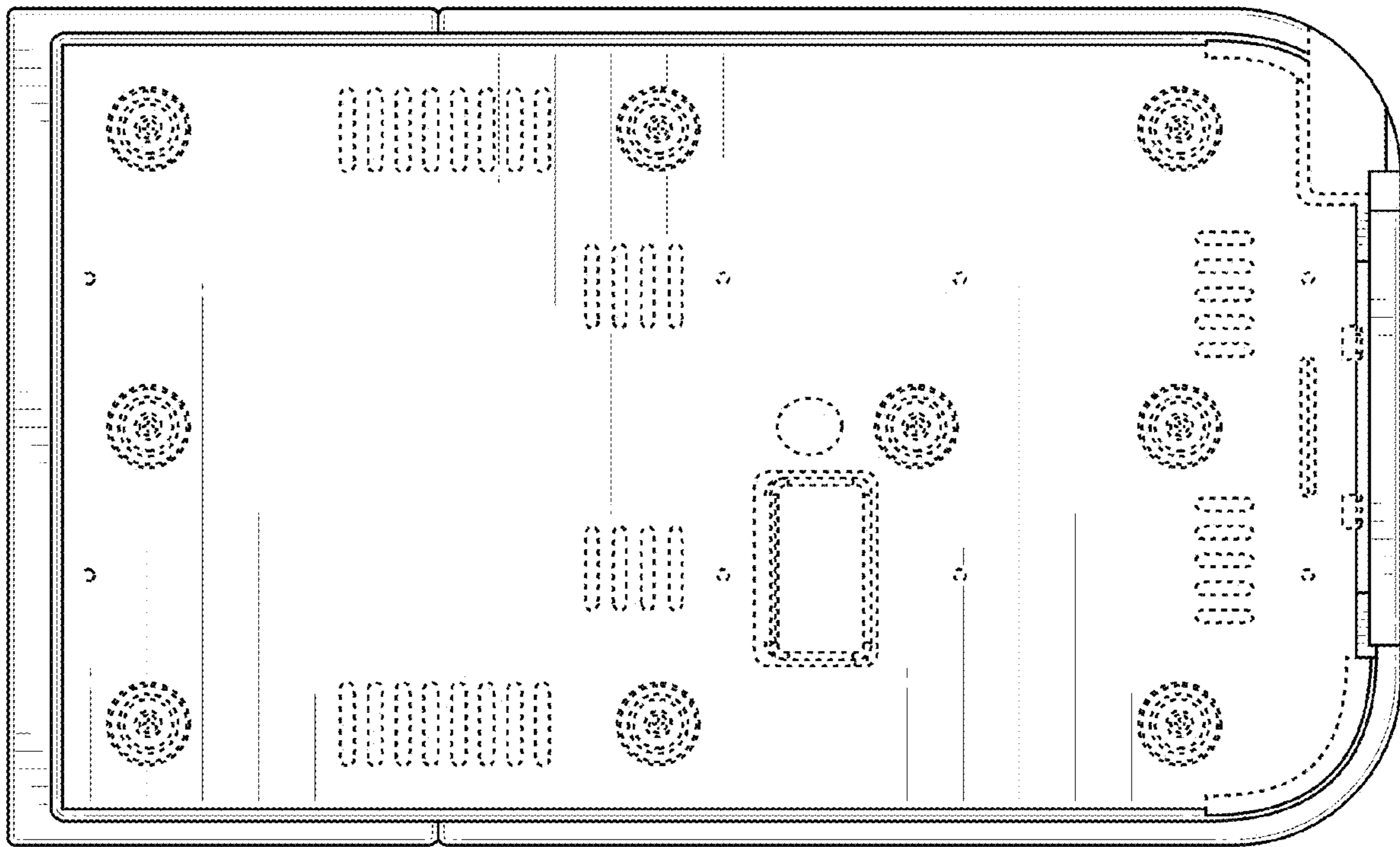


FIG. 7