



US00D872513S

(12) **United States Design Patent**
Kaplan et al.

(10) **Patent No.:** **US D872,513 S**

(45) **Date of Patent:** **** Jan. 14, 2020**

(54) **BEVERAGE MACHINE**

(71) Applicant: **Keurig Green Mountain, Inc.**,
Waterbury, VT (US)

(72) Inventors: **Joshua Kaplan**, Stowe, VT (US); **Peter David Cauwood**, Cambridge (GB);
Iain James Sabberton, Cambridge (GB); **Matthew John Maitland**, Cambridge (GB)

(73) Assignee: **Keurig Green Mountain, Inc.**,
Burlington, MA (US)

(**) Term: **15 Years**

(21) Appl. No.: **29/635,982**

(22) Filed: **Feb. 5, 2018**

(51) **LOC (12) Cl.** **07-01**

(52) **U.S. Cl.**
USPC **D7/306; D7/309; D7/311**

(58) **Field of Classification Search**
USPC D7/300, 309-311, 306-308, 305, 397,
D7/355, 362, 365, 367, 399; 222/146.6,
222/185.1, 135; 99/295, 273, 304, 288,
99/279, 307, 283
CPC A47J 31/02; A47J 31/407; A47J 31/50;
A47J 31/18; A47J 31/061; A47J 27/04;
A47J 31/0573; A47J 31/52; A47J
31/3633; Y10T 74/18296
See application file for complete search history.

(56) **References Cited**

U.S. PATENT DOCUMENTS

D240,386 S *	7/1976	Stuetzer	D7/309
4,721,034 A *	1/1988	Shimomura	A47J 31/047 99/280
D299,608 S *	1/1989	Knochner	D7/309
D307,754 S *	5/1990	Osrow	D15/82
D379,049 S *	5/1997	Amiel	D7/305

D409,875 S *	5/1999	Alonge	D7/309
D414,647 S *	10/1999	Driscoll	D7/309
D496,553 S *	9/2004	Bodum	D7/309
D511,066 S *	11/2005	Garner	D7/309
D514,371 S *	2/2006	Yang	D7/306
D552,402 S *	10/2007	Schwamkrug	D7/309
D560,950 S *	2/2008	Schwamkrug	D7/309
D585,229 S *	1/2009	de Visser	D7/309
D586,171 S *	2/2009	Picozza	D7/306
D590,652 S *	4/2009	Cesaroni	D7/309
D596,442 S *	7/2009	Cahen	D7/309
D627,188 S *	11/2010	Picozza	D7/306
D666,451 S *	9/2012	Cheng	D7/309

(Continued)

OTHER PUBLICATIONS

[No Author Listed] Image of Breville BKC600XCL, publicly available prior to Feb. 5, 2018, 1 page.

(Continued)

Primary Examiner — Marianne N Pandozzi

(74) *Attorney, Agent, or Firm* — Wolf, Greenfield & Sacks, P.C.

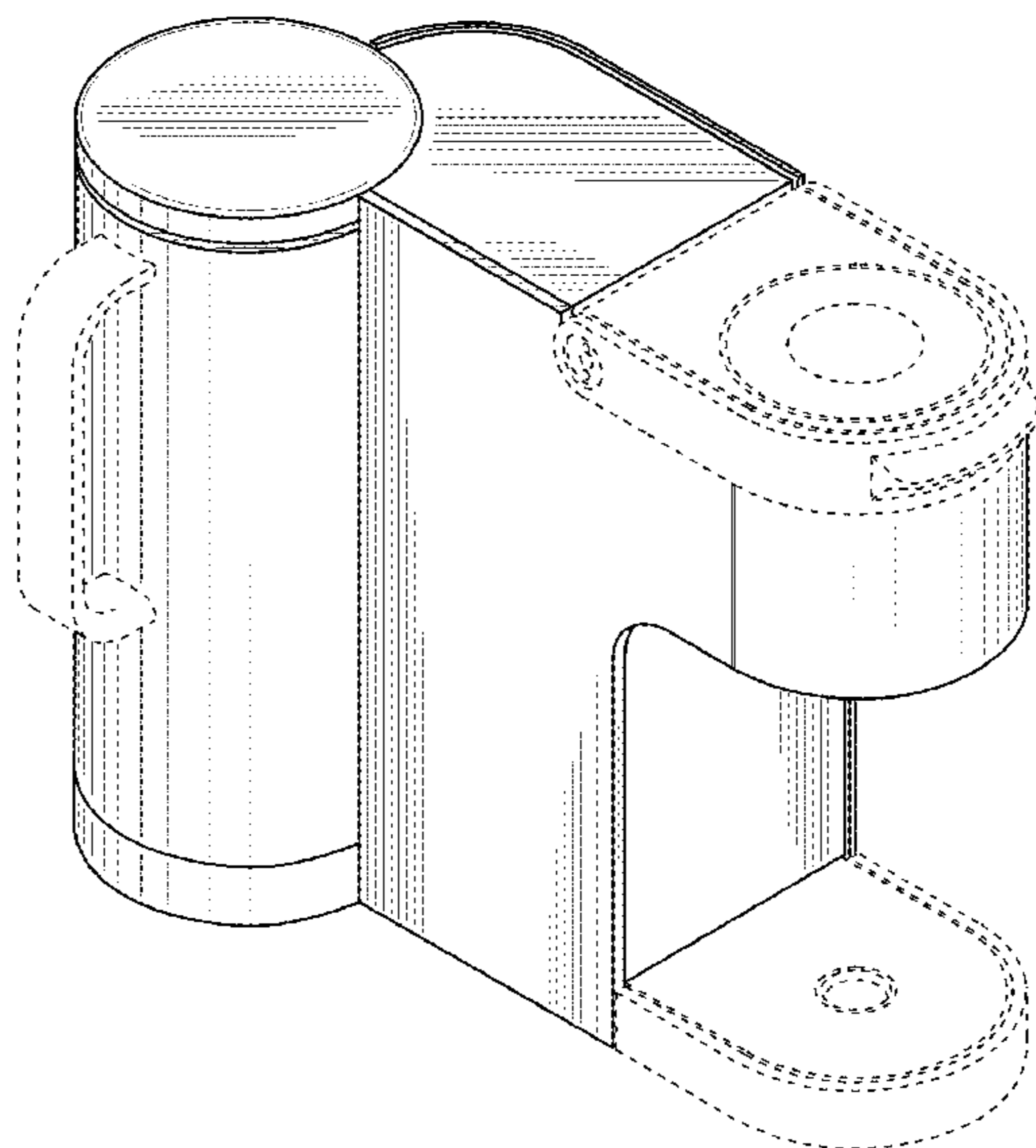
(57) **CLAIM**

The ornamental design for a beverage machine, as shown and described.

DESCRIPTION

FIG. 1 is a top, front, left side perspective view of a beverage machine showing our new design; FIG. 2 is a top plan view thereof; FIG. 3 is a left side elevation view thereof; FIG. 4 is a front elevation view thereof; FIG. 5 is a right side elevation view thereof; FIG. 6 is a rear elevation view thereof; FIG. 7 is a bottom plan view thereof; and, FIG. 8 is a top, front, right side perspective view thereof. The broken lines illustrate portions of the beverage machine that form no part of the claimed design.

1 Claim, 4 Drawing Sheets



(56)

References Cited

U.S. PATENT DOCUMENTS

D703,989 S * 5/2014 Garman D7/305
D712,188 S * 9/2014 Averty D7/309
D714,088 S * 9/2014 Cahen D7/309
D718,563 S * 12/2014 Deman D7/305
D718,972 S * 12/2014 Jorgensen D7/309
D726,481 S * 4/2015 Cahen D7/309
D726,482 S * 4/2015 Cahen D7/309
D728,988 S * 5/2015 Warburton D7/306
D736,025 S * 8/2015 Kestenbaum D7/309
D745,307 S * 12/2015 Kestenbaum D7/309
D762,412 S * 8/2016 Kestenbaum D7/392
D765,455 S * 9/2016 de Gooijer D7/309
D773,877 S * 12/2016 Lee D7/309
D773,878 S * 12/2016 Lee D7/309
D783,347 S * 4/2017 Kestenbaum D7/397
D788,509 S * 6/2017 Wei D7/305
D812,952 S * 3/2018 Fedorak D7/306
D816,383 S * 5/2018 Liang D7/310
D830,756 S * 10/2018 Cahen D7/306
D831,398 S * 10/2018 Cahen D7/306
D832,019 S * 10/2018 Cahen D7/306
D836,371 S * 12/2018 Cahen D7/306
D838,532 S * 1/2019 Seidl D7/311
D841,383 S * 2/2019 Warburton D7/306
D843,154 S * 3/2019 Buttler D7/309
D843,765 S * 3/2019 Fedorak D7/306
D853,771 S * 7/2019 Wood D7/306

OTHER PUBLICATIONS

[No Author Listed] Images of SodaStream, publicly available prior to Feb. 5, 2018, 2 pages.

* cited by examiner

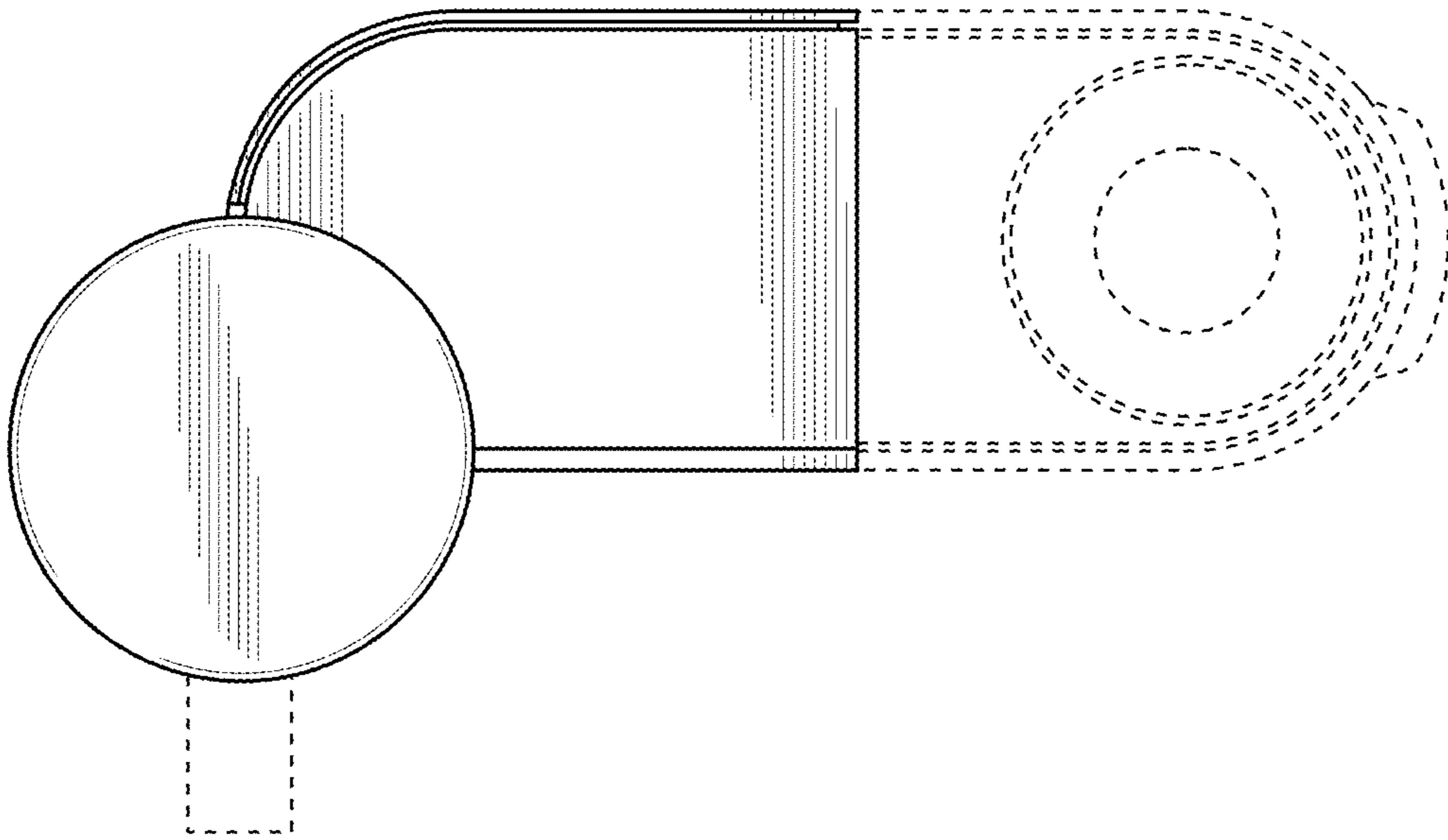


FIG. 2

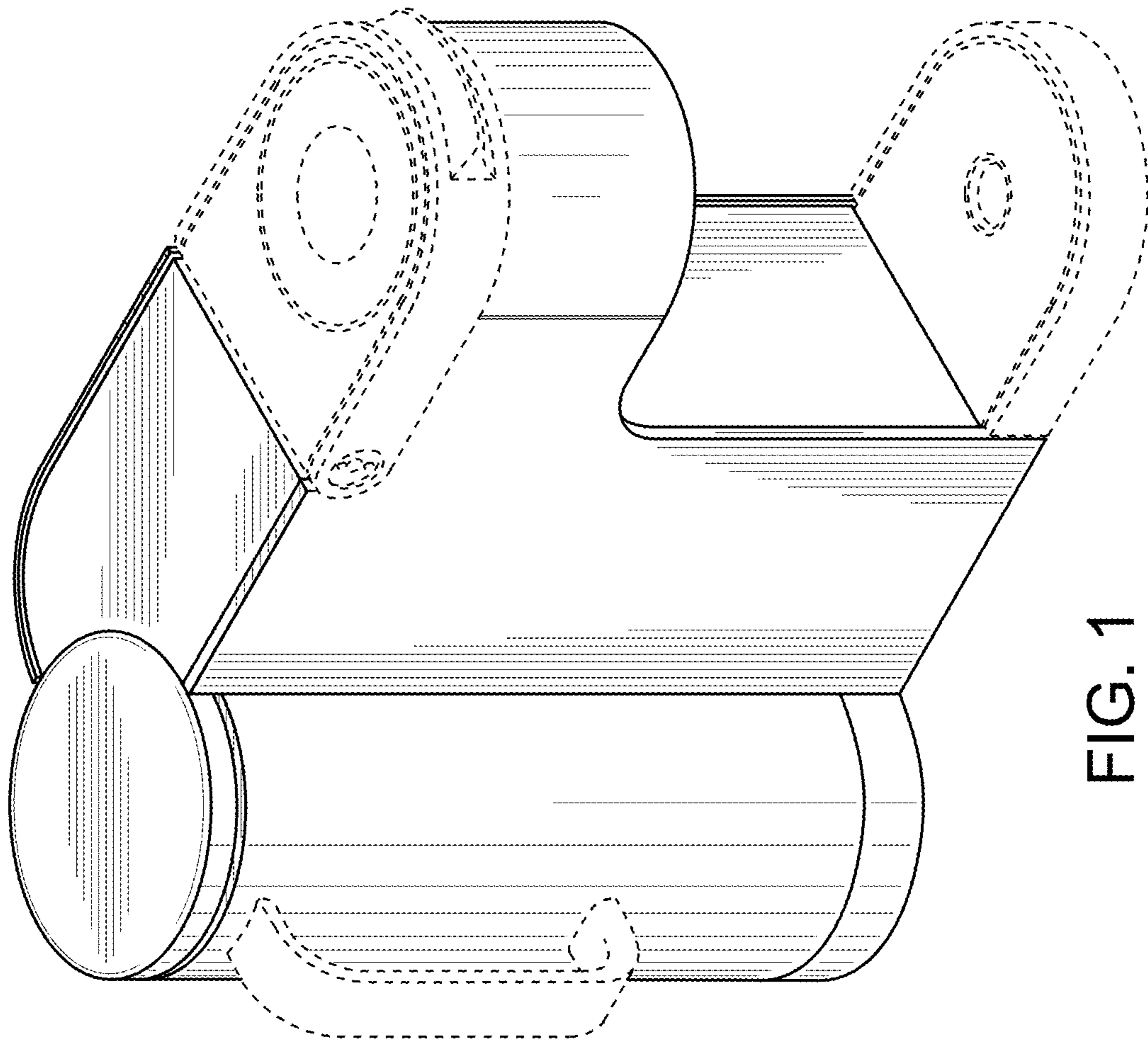


FIG. 1

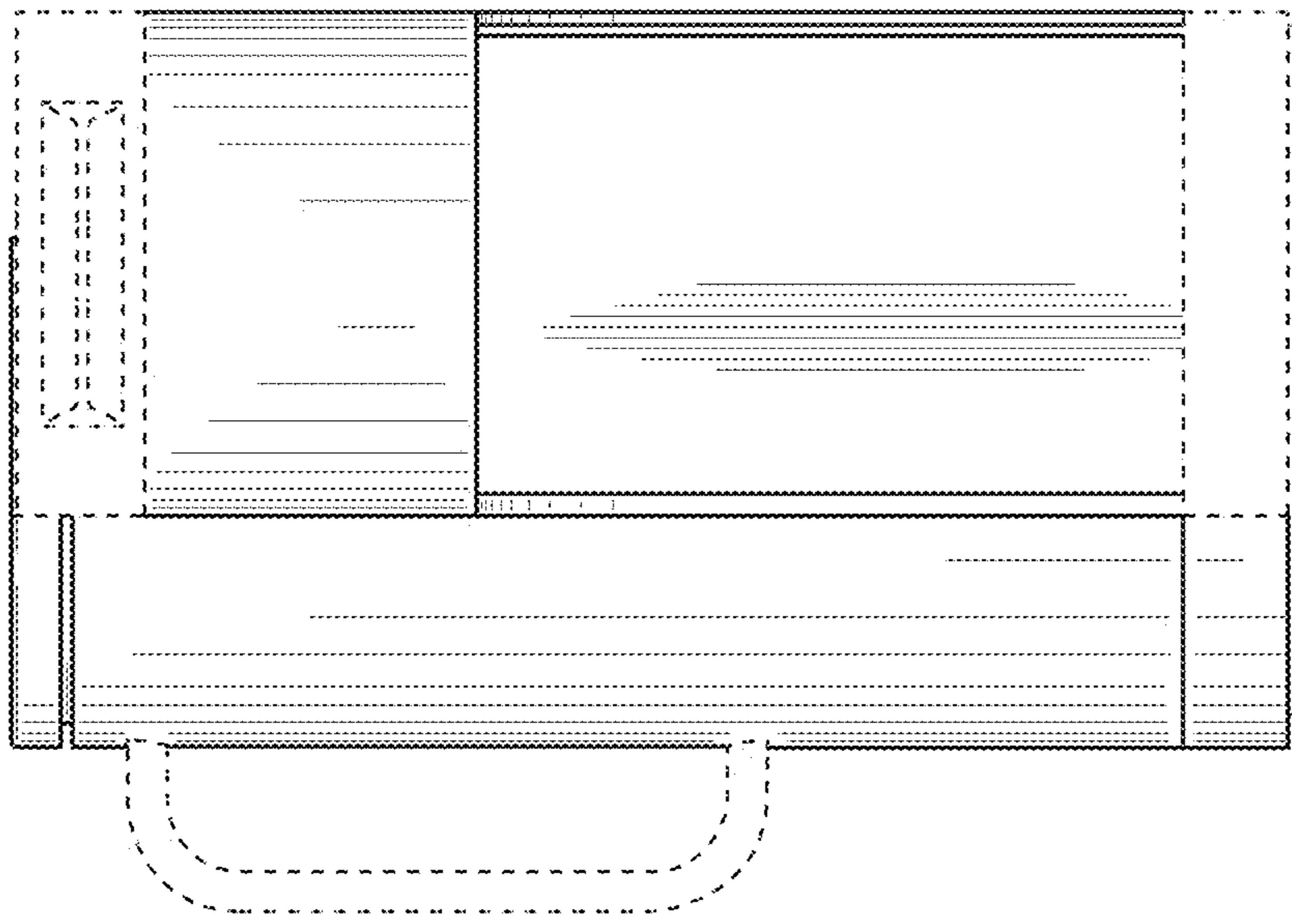


FIG. 4

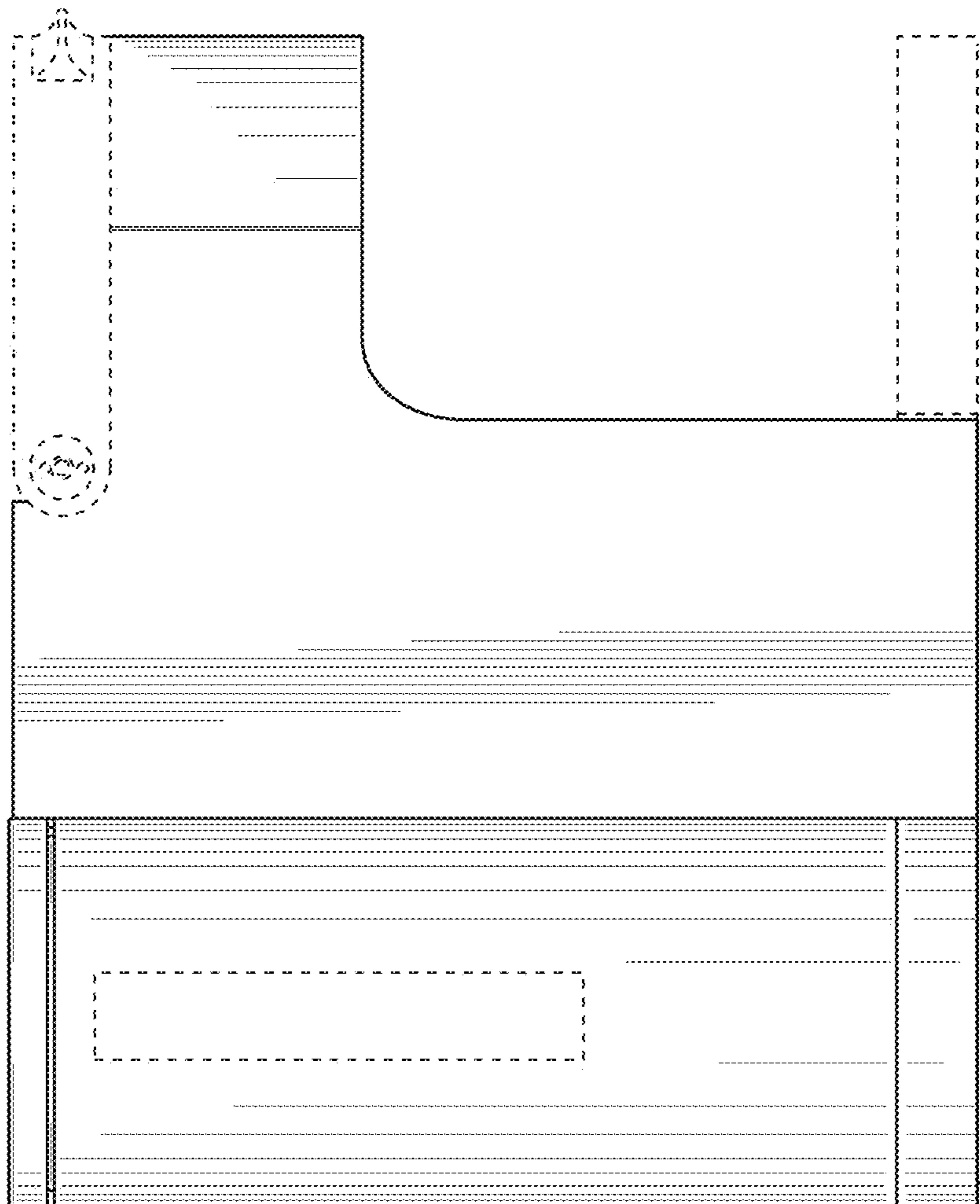


FIG. 3

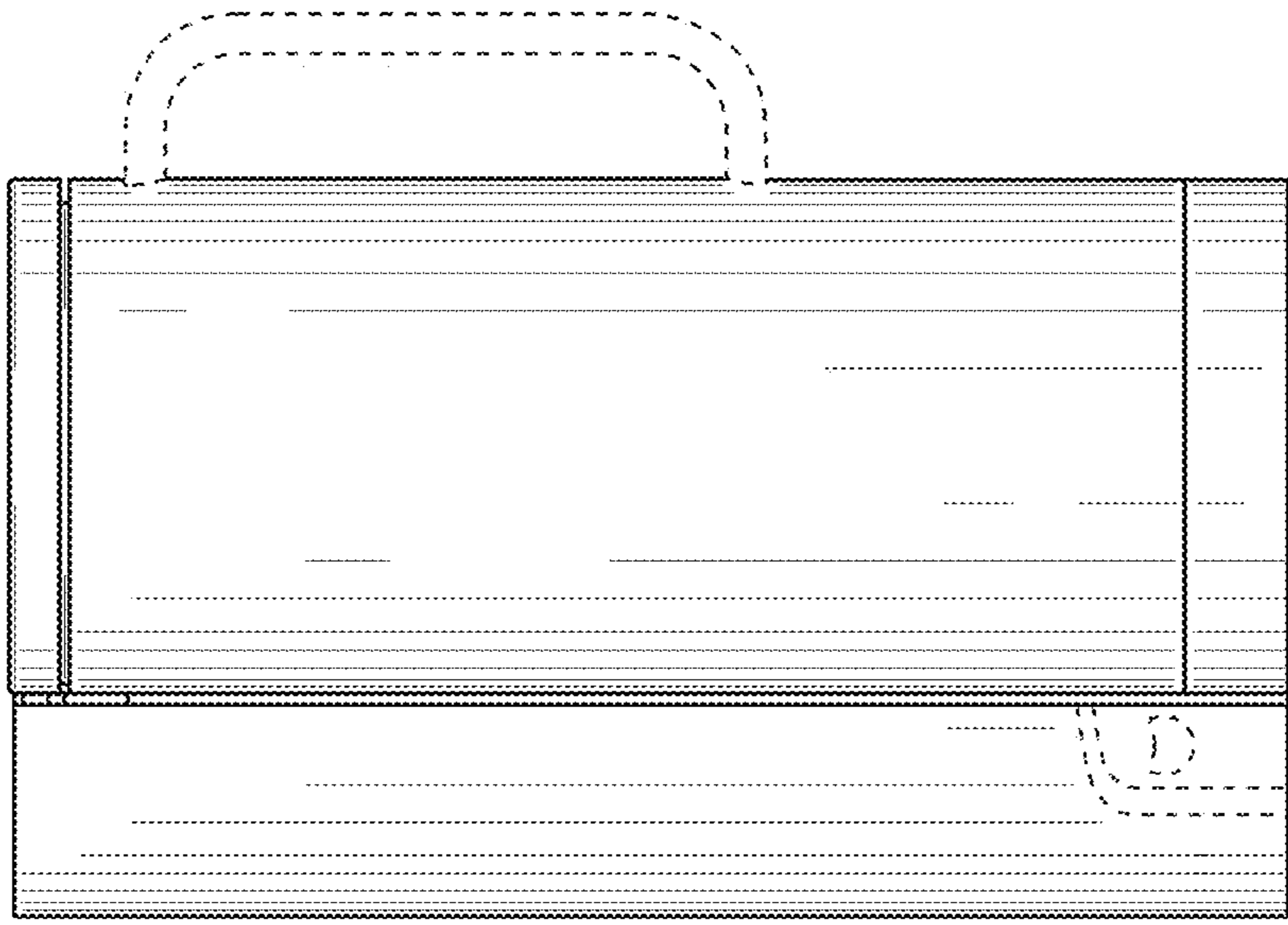


FIG. 6

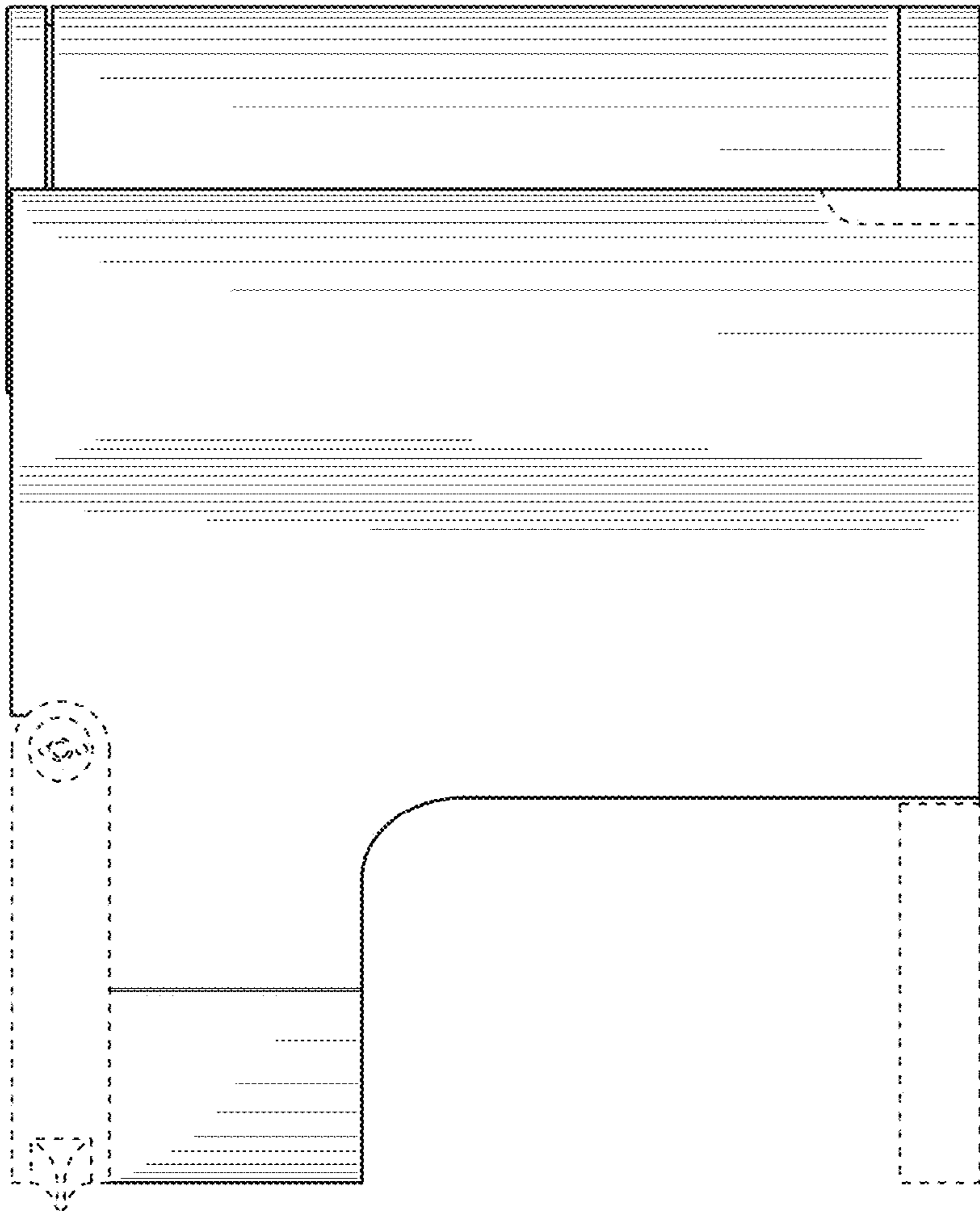


FIG. 5

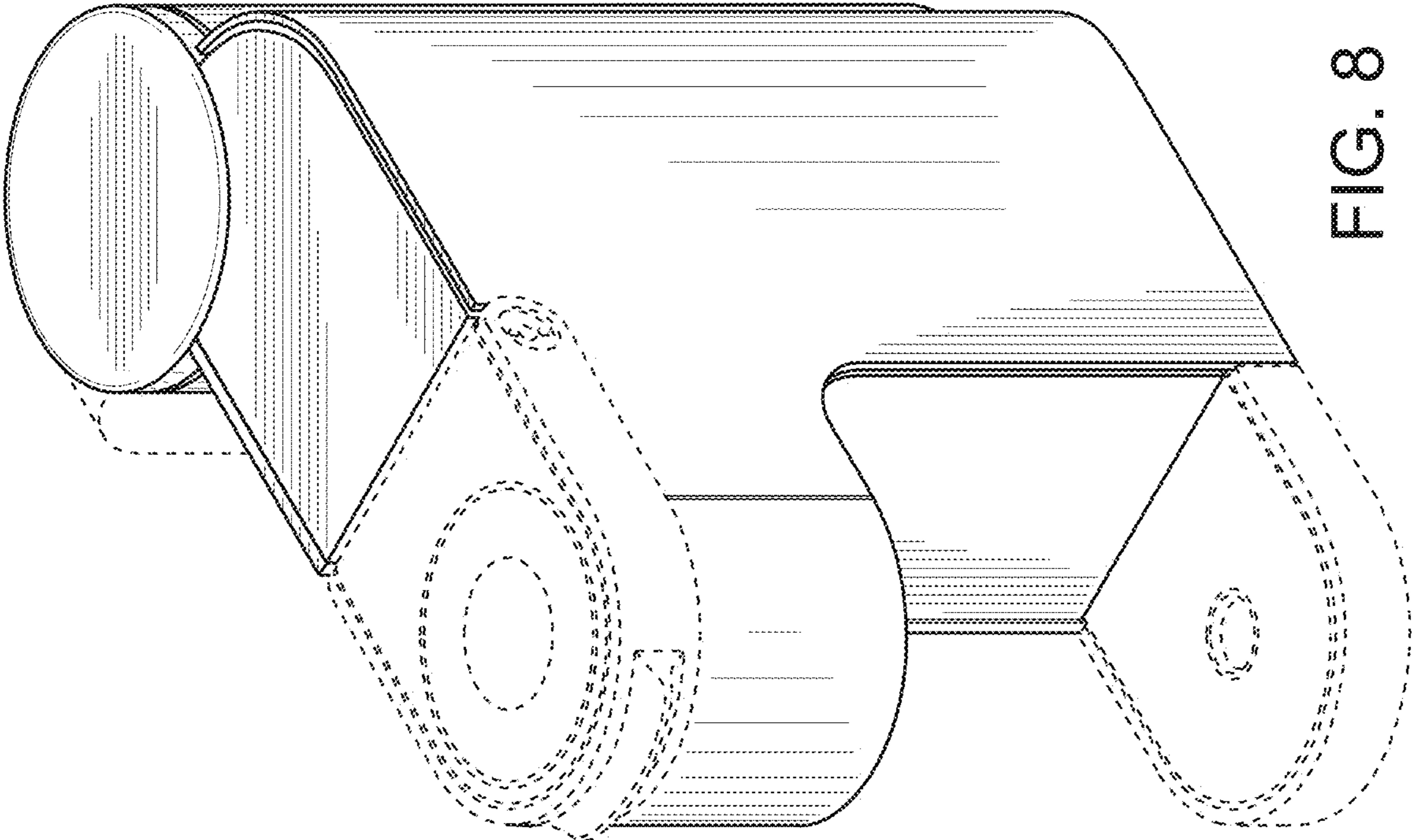


FIG. 8

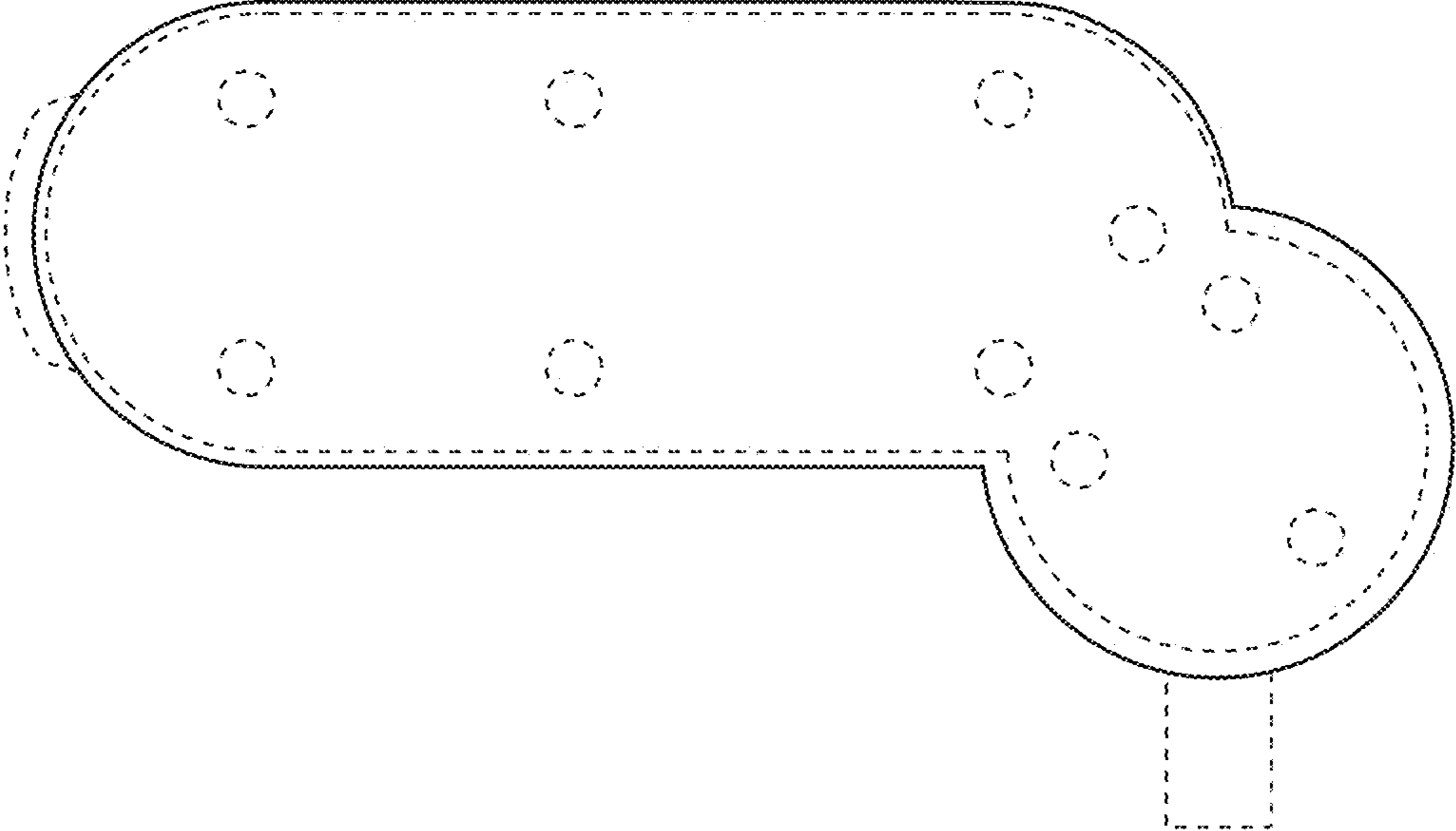


FIG. 7