



US00D872511S

(12) **United States Design Patent**  
**Parks**

(10) **Patent No.:** **US D872,511 S**

(45) **Date of Patent:** **\*\* Jan. 14, 2020**

- (54) **SHAKER CUP**
- (71) Applicant: **Richard Lynn Parks**, Ontario, CA (US)
- (72) Inventor: **Richard Lynn Parks**, Ontario, CA (US)
- (\*\*) Term: **15 Years**
- (21) Appl. No.: **29/646,446**
- (22) Filed: **May 4, 2018**
- (51) **LOC (12) Cl.** ..... **07-01**
- (52) **U.S. Cl.**  
USPC ..... **D7/300.1; D7/510; D7/531**
- (58) **Field of Classification Search**  
USPC ..... D7/507, 413, 509, 510, 511, 529, 530, D7/531, 536, 300.1, 591, 584, 586, 387, D7/361, 619.1, 602; D10/46.2; D9/425, D9/905, 503, 504, 738, 547; 220/592.2  
CPC ..... A47G 19/22; A47G 19/2288; A47G 19/2211; A47G 19/2222; A47G 19/2227; A47G 19/2205; A47G 19/2266; A47G 19/12; A47J 41/02; A47J 43/27; A47J 41/0077; A47J 41/0088; A47J 41/028; B65D 47/066; B65D 81/3869  
See application file for complete search history.

- D683,575 S 6/2013 Devlin
- D699,996 S \* 2/2014 De Leo ..... D7/300.1
- 8,752,720 B1 \* 6/2014 Habig ..... B65D 55/16  
215/306
- D739,180 S 9/2015 Beardsell
- D747,148 S 1/2016 Beardsell
- D747,624 S \* 1/2016 Walker ..... D7/392.1
- D751,344 S 3/2016 Charlton
- D752,390 S 3/2016 Ksiazek et al.
- D760,007 S 6/2016 Barratt
- D771,990 S \* 11/2016 Horowitz ..... D7/300.1
- D781,104 S 3/2017 Cerasani
- D802,366 S 11/2017 Cerasani
- D805,827 S \* 12/2017 Toth ..... D7/300.1
- 2016/0192810 A1 \* 7/2016 Knapp ..... A47J 43/27  
366/343
- 2019/0084734 A1 \* 3/2019 Ni ..... B65D 47/0895

\* cited by examiner

*Primary Examiner* — Jae Liang

(74) *Attorney, Agent, or Firm* — Kirk A. Buhler; Buhler & Associates Patenting

(57) **CLAIM**

The ornamental design for a shaker cup, as shown.

**DESCRIPTION**

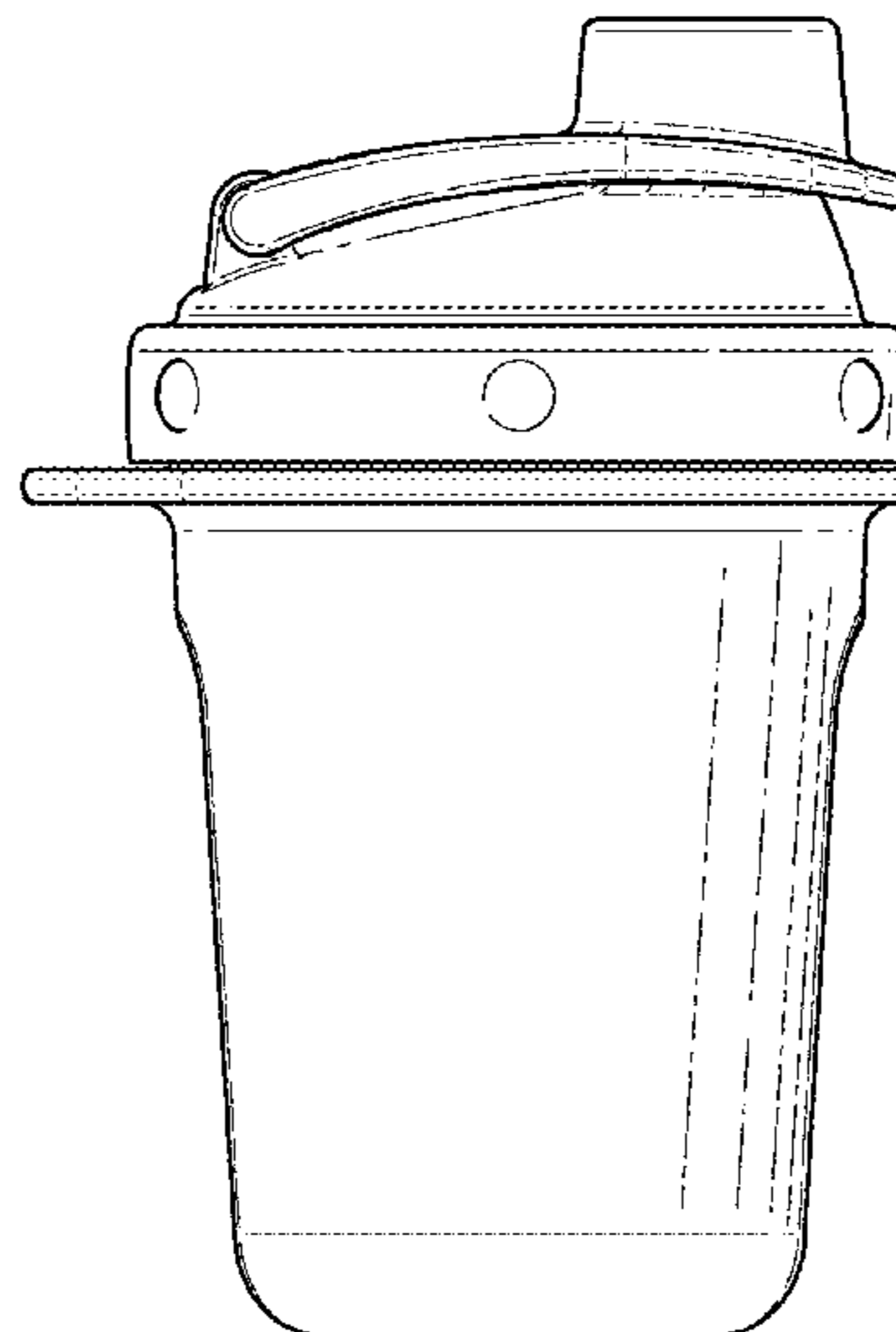
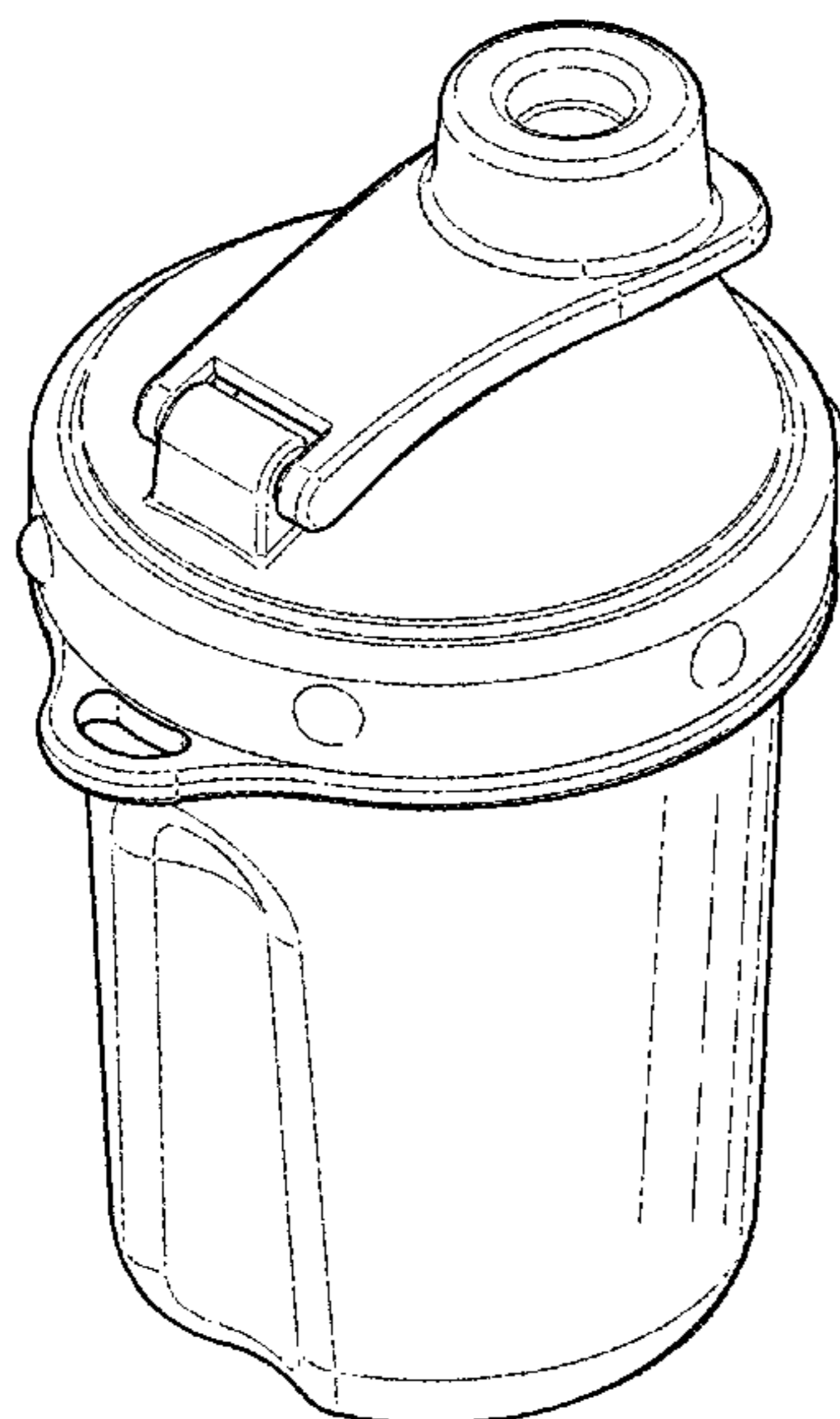
FIG. 1 is a top rear perspective view of a shaker cup, showing my new design;  
 FIG. 2 is a rear elevation view thereof;  
 FIG. 3 is a front elevation view thereof;  
 FIG. 4 is a left side elevation view, the right-side elevation view being a mirror image thereof, and,  
 FIG. 5 is a top plan view thereof;  
 FIG. 6 is a bottom view thereof;  
 FIG. 7 is a right side sectional view taken along lines 7-7 from FIG. 3 thereof; and,  
 FIG. 8 is an exploded top rear perspective view.

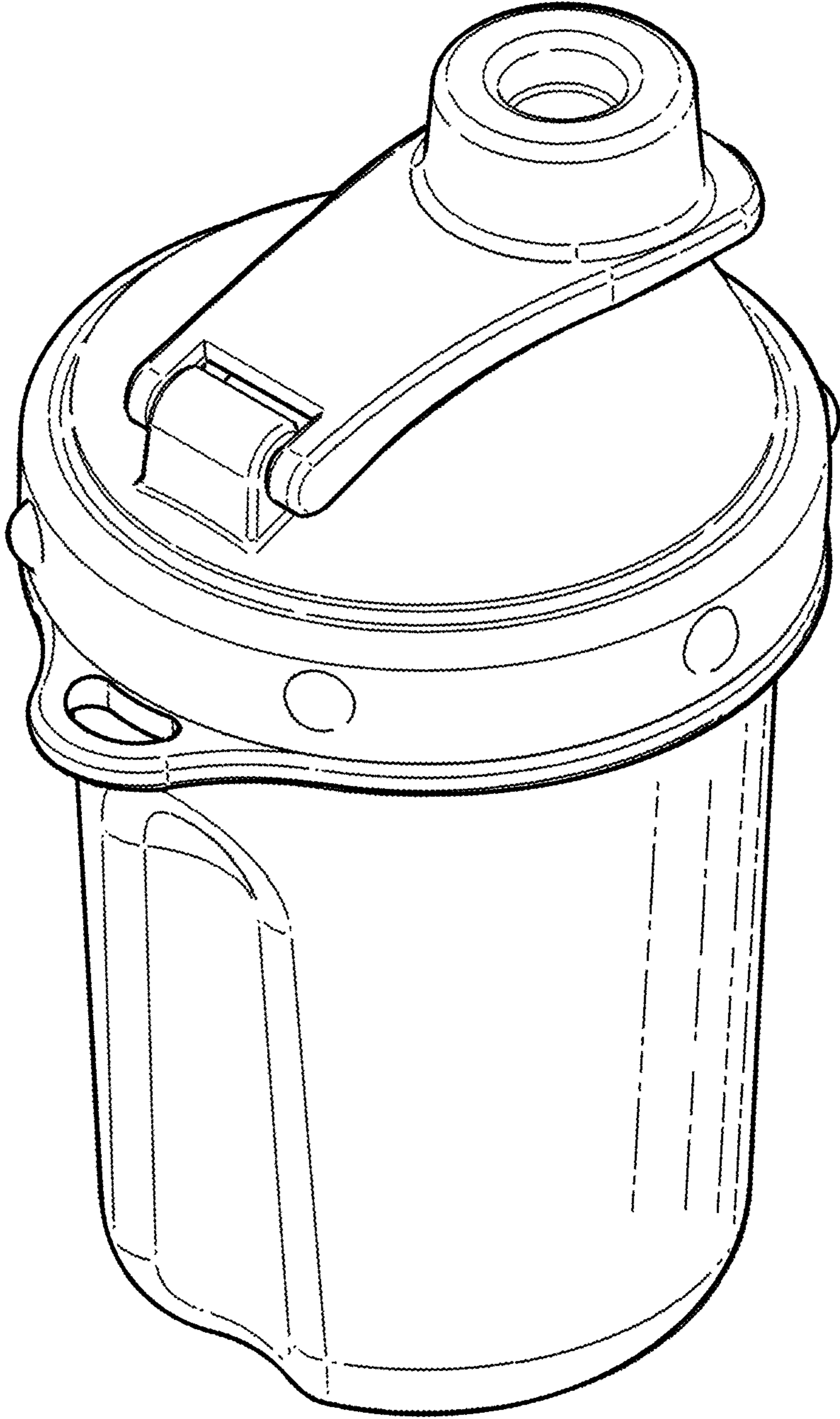
**1 Claim, 4 Drawing Sheets**

(56) **References Cited**

**U.S. PATENT DOCUMENTS**

- D213,174 S \* 1/1969 Paul Davis ..... 229/400
- D328,010 S \* 7/1992 Daenen ..... D32/29.1
- D480,590 S 10/2003 Linz
- D483,981 S 12/2003 Linz
- D513,916 S 1/2006 Namee
- D632,918 S 2/2011 Gordon
- D672,618 S \* 12/2012 Stamper ..... D7/602
- D673,010 S \* 12/2012 Stamper ..... D7/602





**FIG. 1**

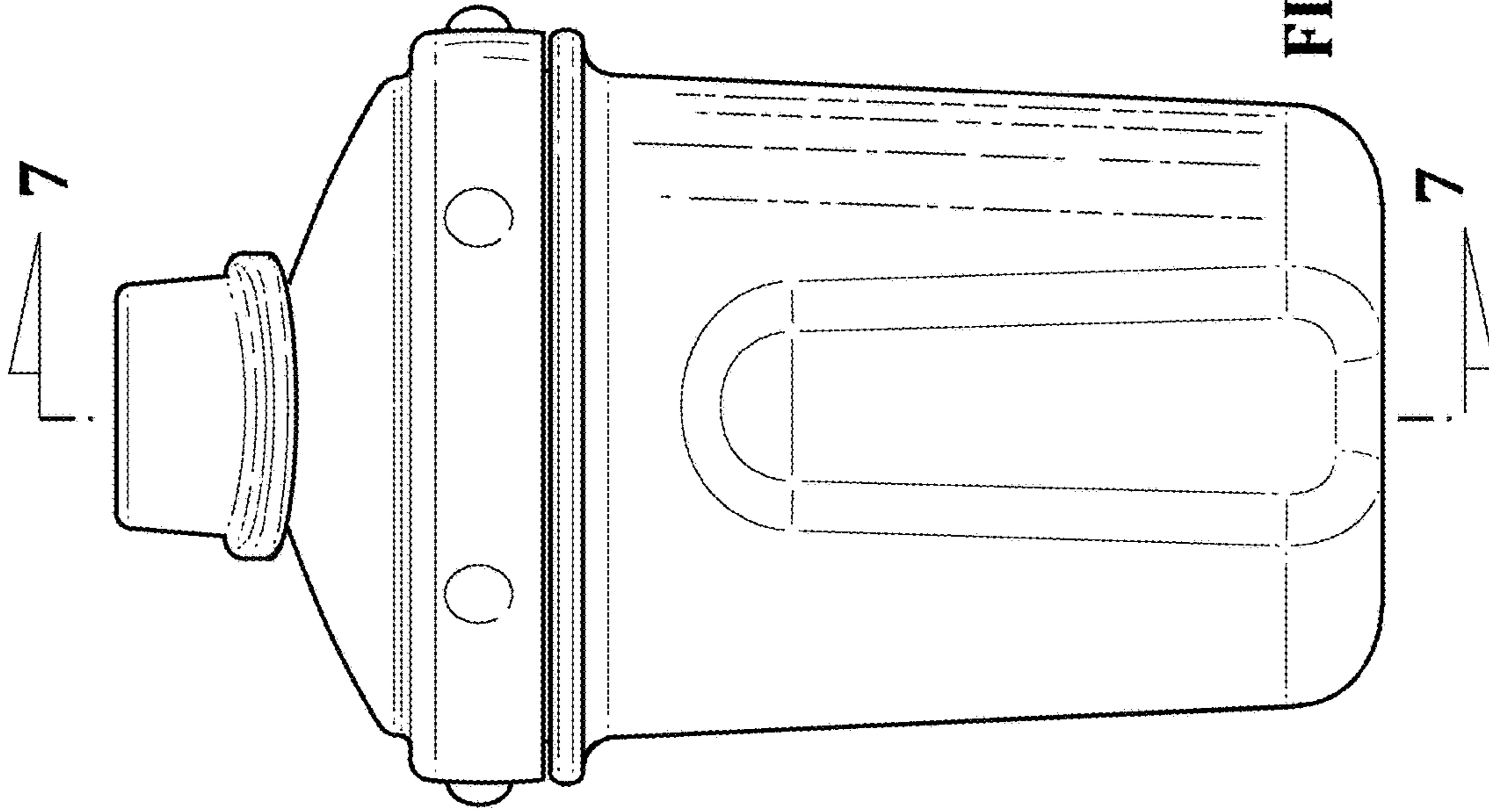


FIG. 3

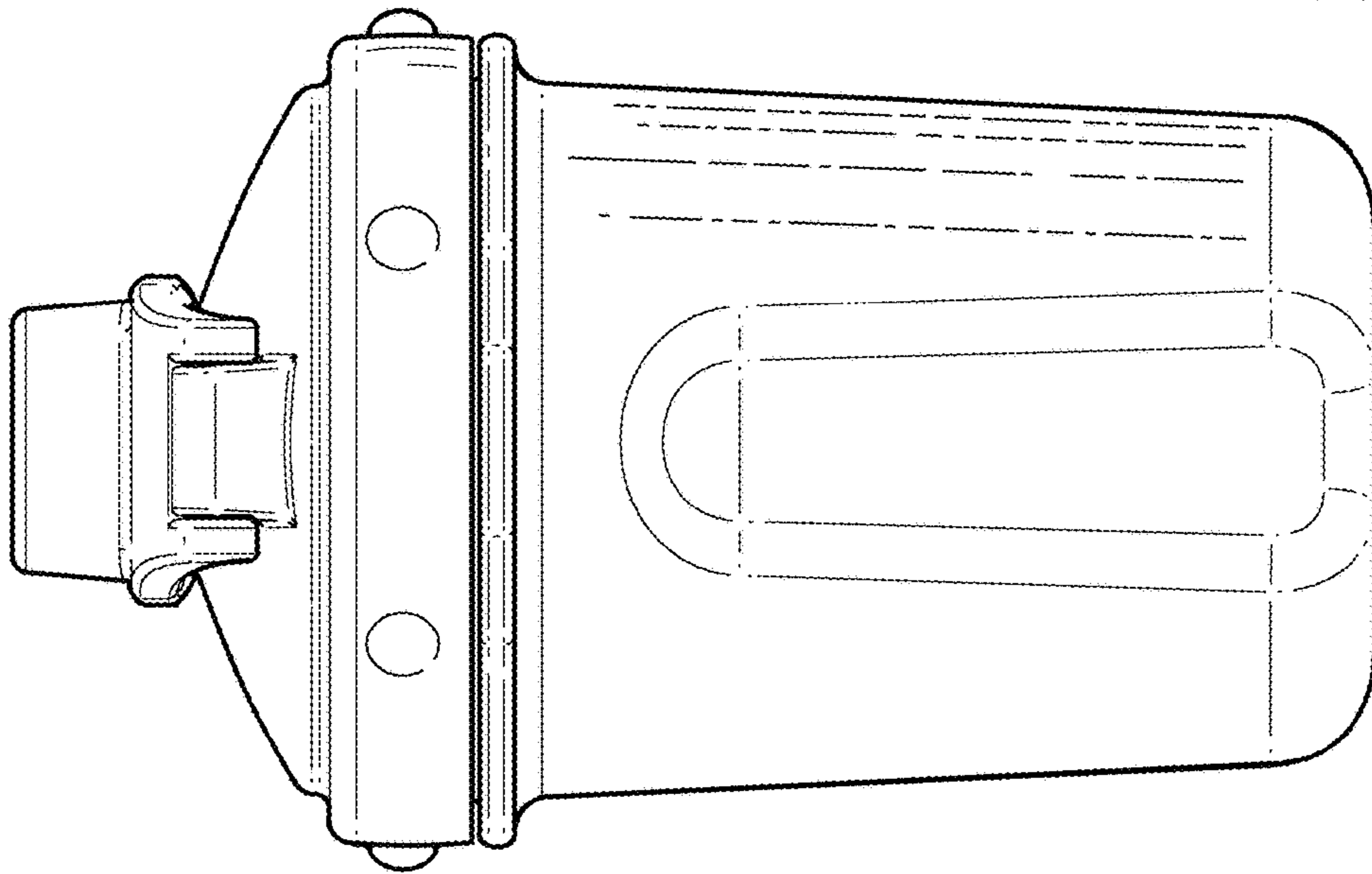


FIG. 2



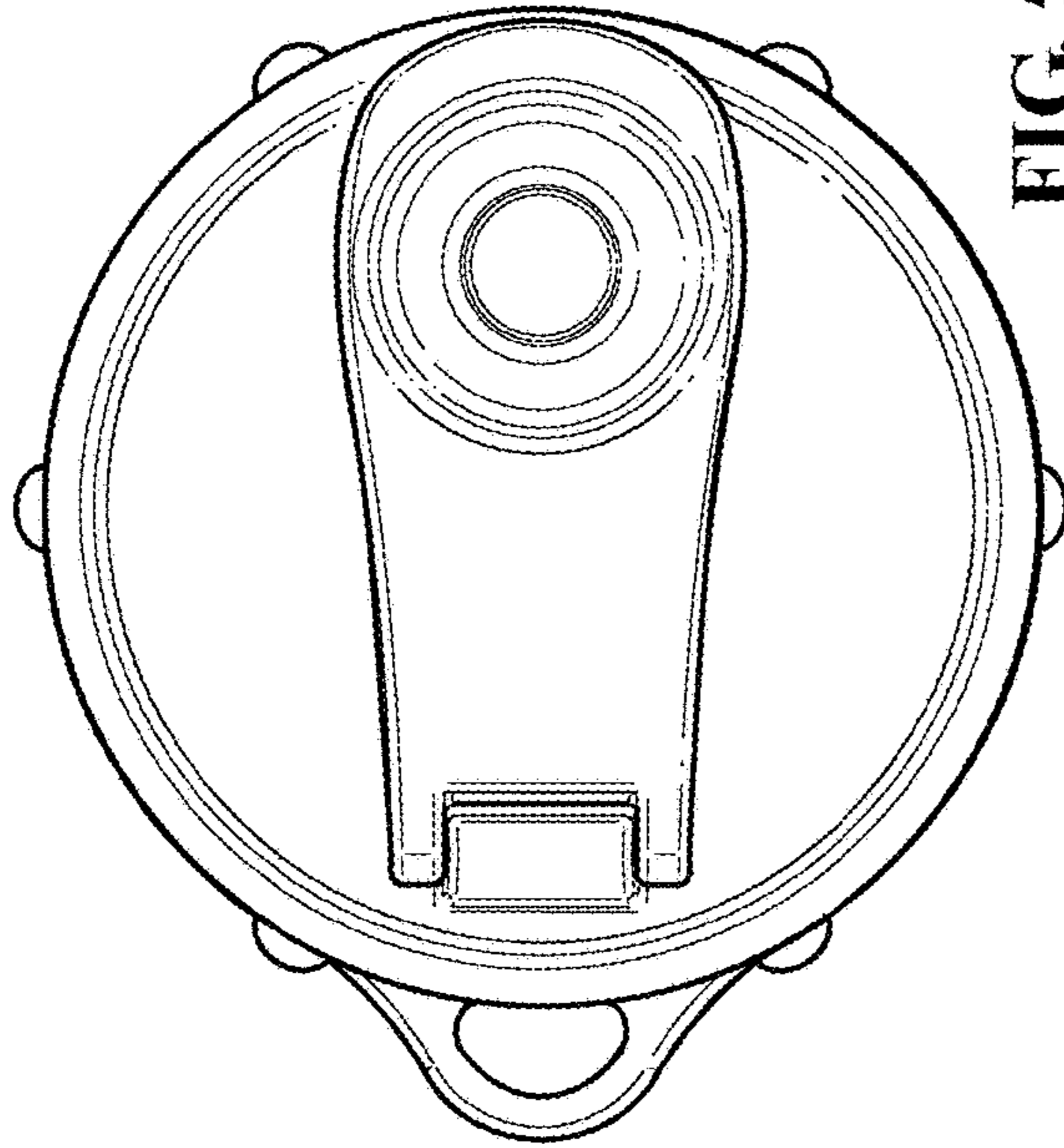


FIG. 5

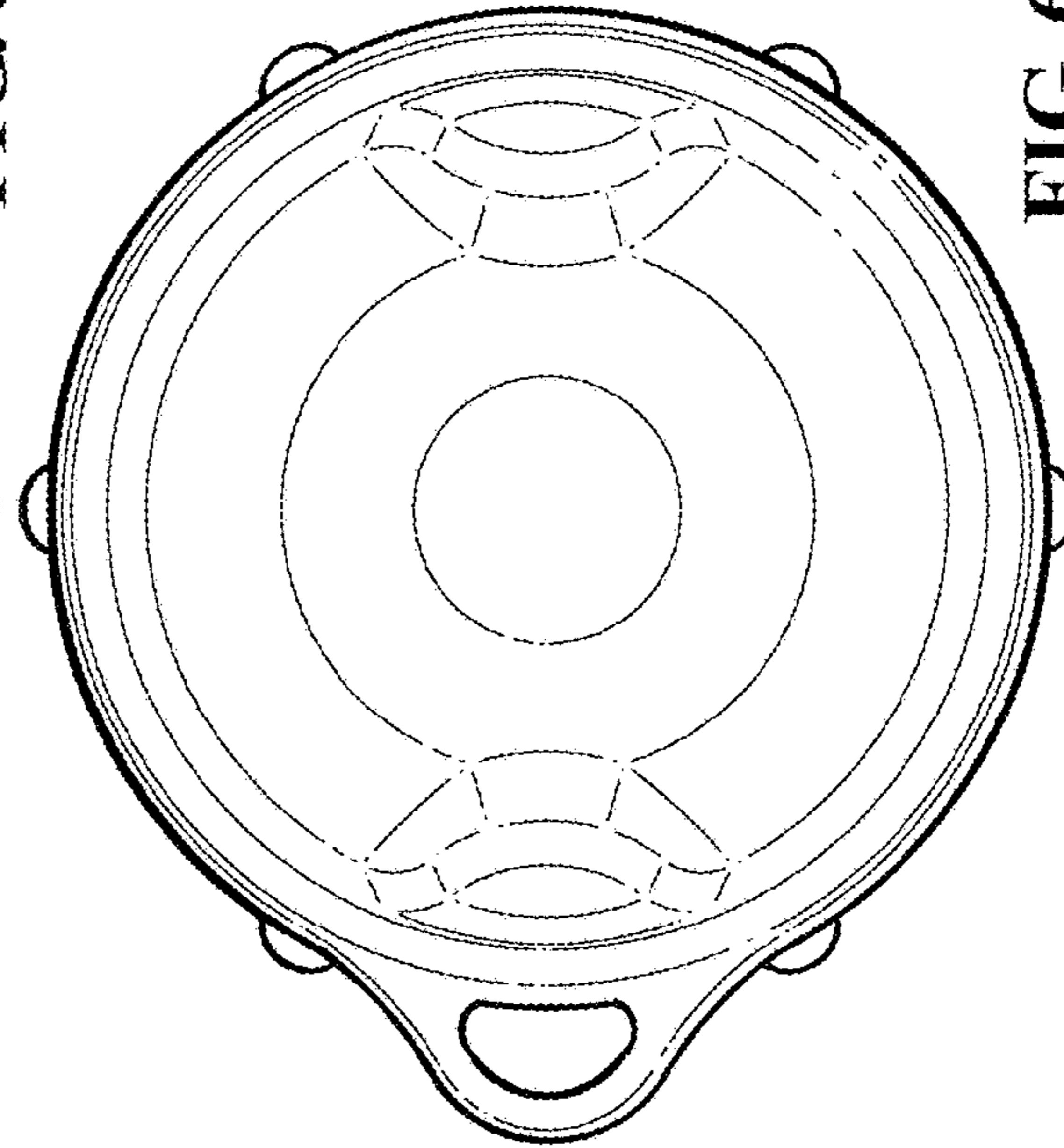


FIG. 6

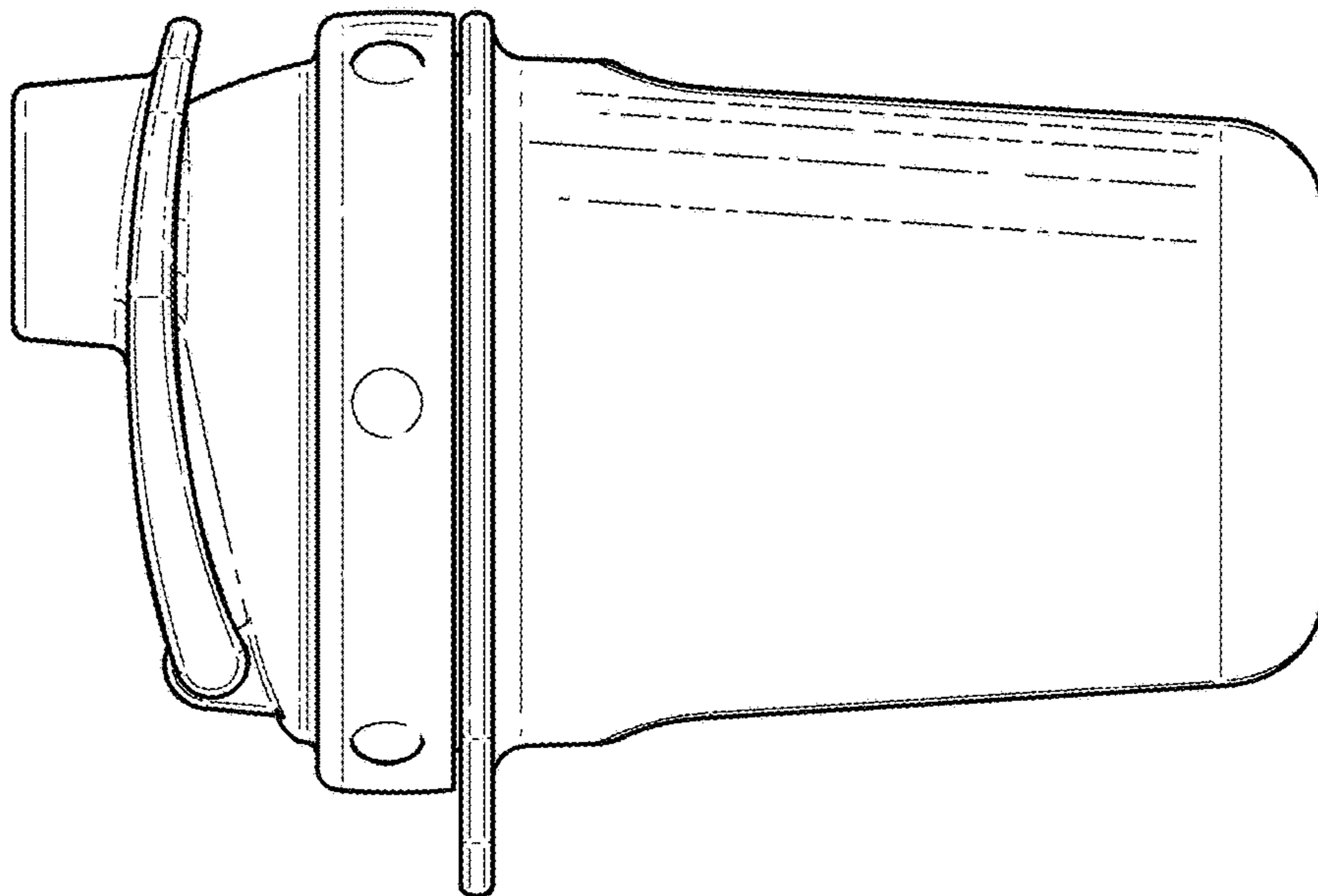


FIG. 4

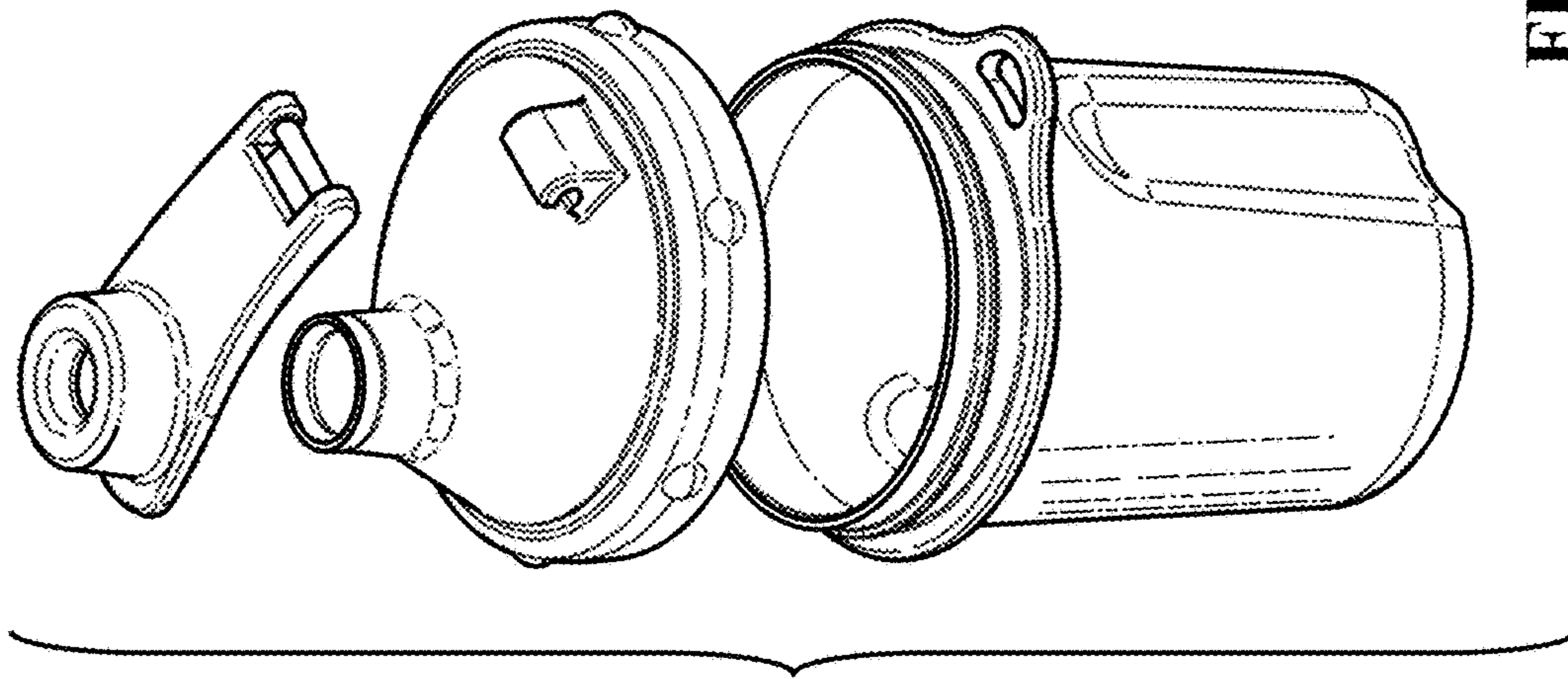


FIG. 8

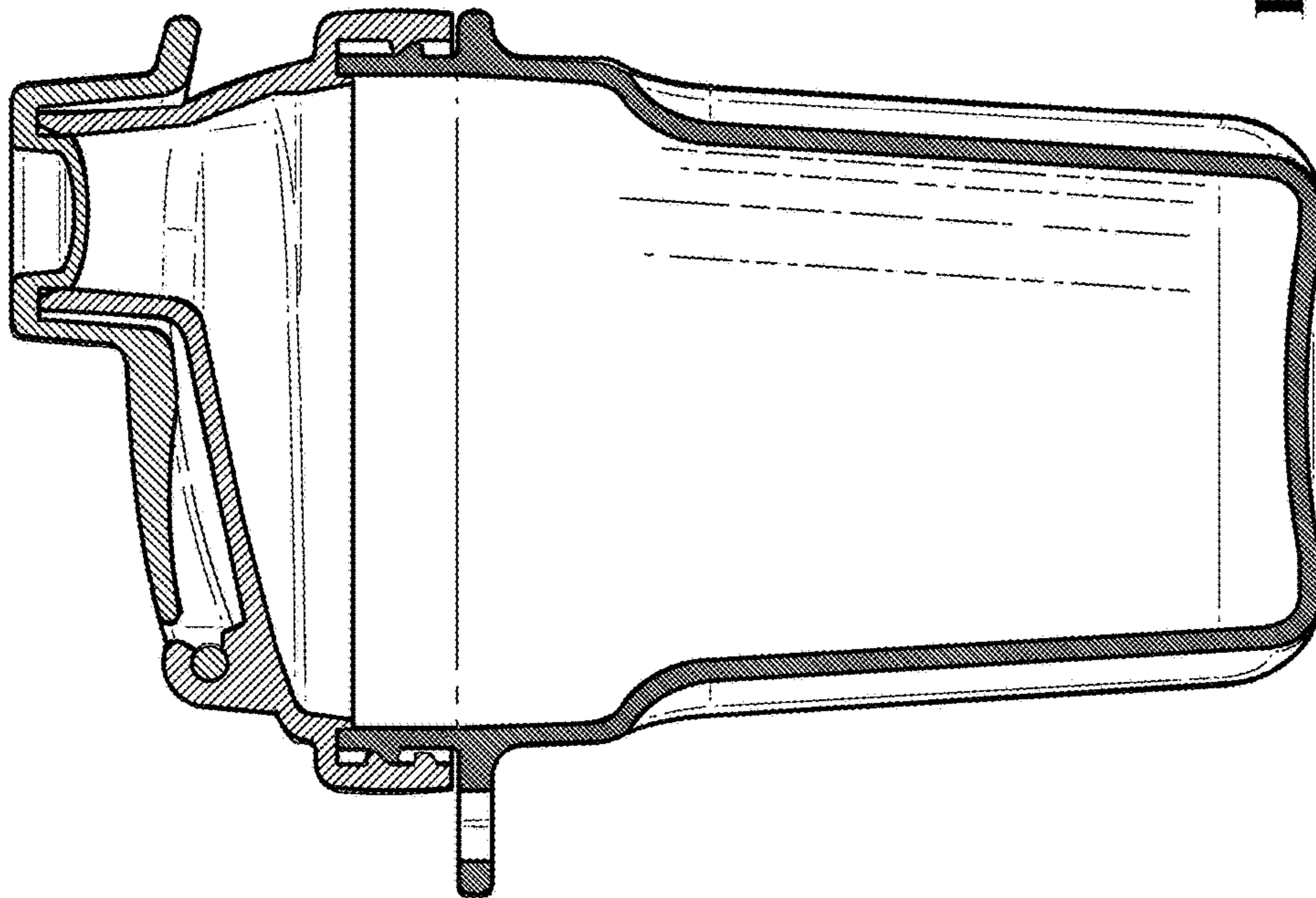


FIG. 7