



US00D872507S

(12) **United States Design Patent**
Anastassiades

(10) **Patent No.:** **US D872,507 S**

(45) **Date of Patent:** **** Jan. 14, 2020**

(54) **SHELVES FOR LIBRARY**

(71) Applicant: **B&B Italia S.p.A.**, Milan (IT)

(72) Inventor: **Michael Anastassiades**, Novedrate (IT)

(73) Assignee: **B&B Italia S.p.A.**, Milan (IT)

(**) Term: **15 Years**

(21) Appl. No.: **29/665,635**

(22) Filed: **Oct. 5, 2018**

(30) **Foreign Application Priority Data**

Apr. 6, 2018 (IT) 402018000002115

(51) **LOC (12) Cl.** **06-06**

(52) **U.S. Cl.**
USPC **D6/675.1**

(58) **Field of Classification Search**
USPC D6/329, 332, 657, 661, 672, 675, 675.1,
D6/705

CPC A47F 5/0025; A47F 5/0043; A47F 5/0081;
B25H 3/00

See application file for complete search history.

(56) **References Cited**

U.S. PATENT DOCUMENTS

D201,164 S * 5/1965 Sylvan D6/675.1
D295,478 S * 5/1988 Helmholdt D6/405

D318,591 S * 7/1991 Killiany D6/566
D339,256 S * 9/1993 Sielaff D6/675.3
5,409,122 A * 4/1995 Lazarus A47B 47/021
108/147.14
D364,292 S * 11/1995 Good D6/675.1
D479,925 S * 9/2003 Hsieh D6/675.1
D492,861 S * 7/2004 Lenger D6/675.3
D825,959 S * 8/2018 Rockwell D6/675.3
D856,042 S * 8/2019 Davis D6/675.3

* cited by examiner

Primary Examiner — Kelley A Donnelly

(74) *Attorney, Agent, or Firm* — Thomas|Horstemeyer,
LLP

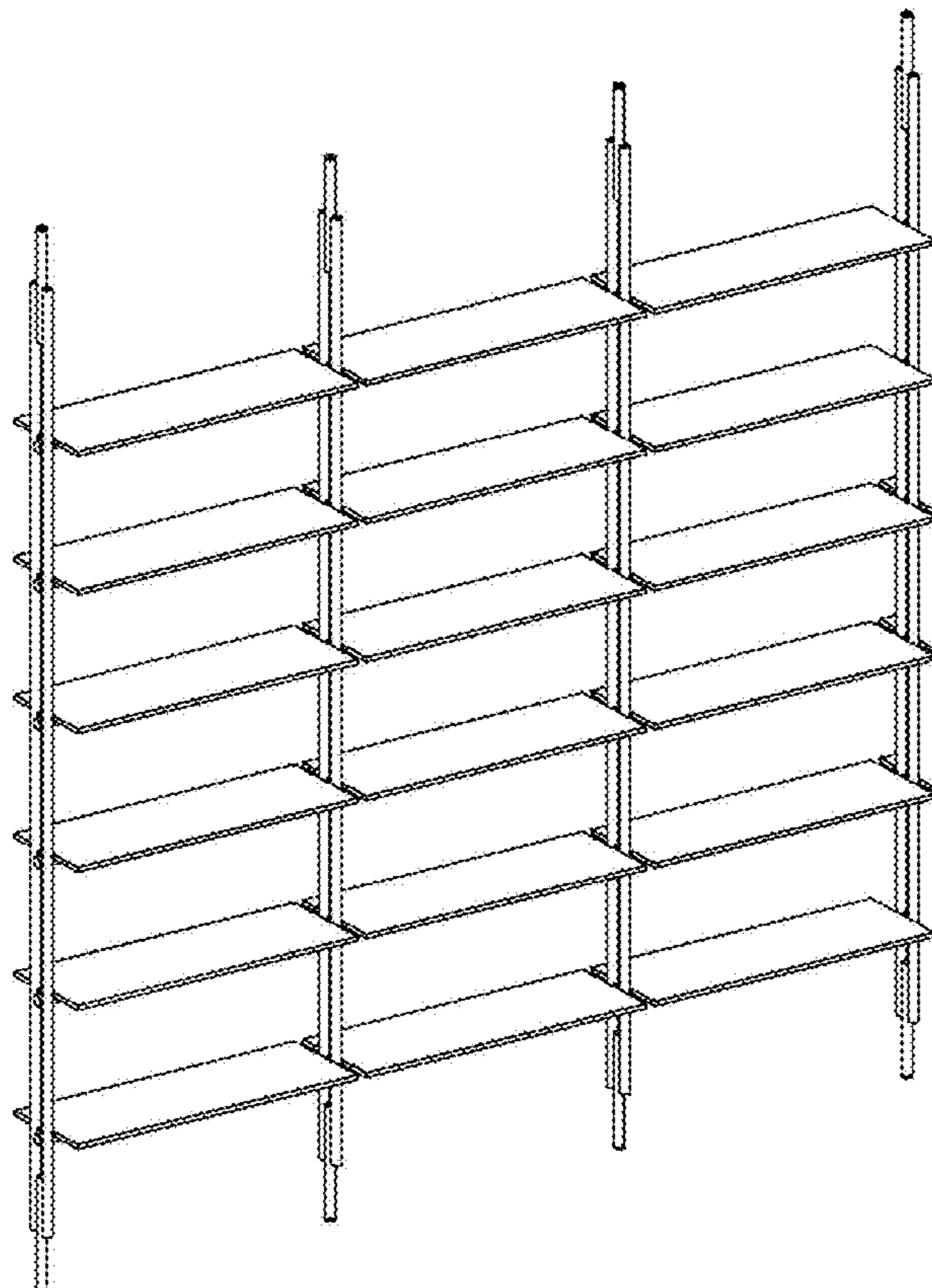
(57) **CLAIM**

The ornamental design for shelves for library, as shown and described.

DESCRIPTION

FIG. 1 is a perspective view of shelves for library, showing my new design;
FIG. 2 is a front view thereof;
FIG. 3 is a rear view thereof, opposite that of FIG. 2;
FIG. 4 is a side view thereof;
FIG. 5 is a side view thereof, from a side opposite that of FIG. 4;
FIG. 6 is a top view thereof; and,
FIG. 7 is a bottom view thereof.

1 Claim, 7 Drawing Sheets



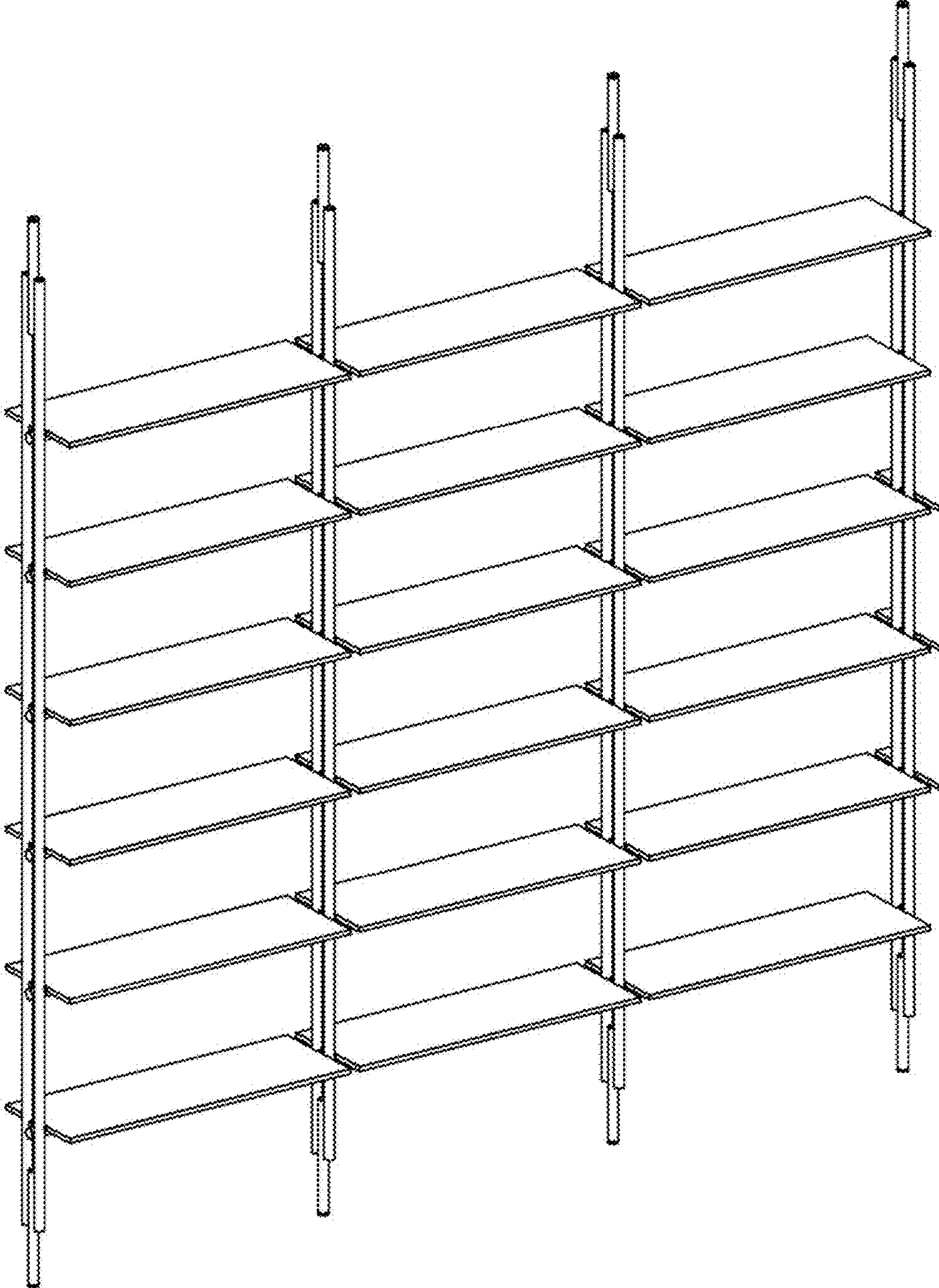


FIG. 1

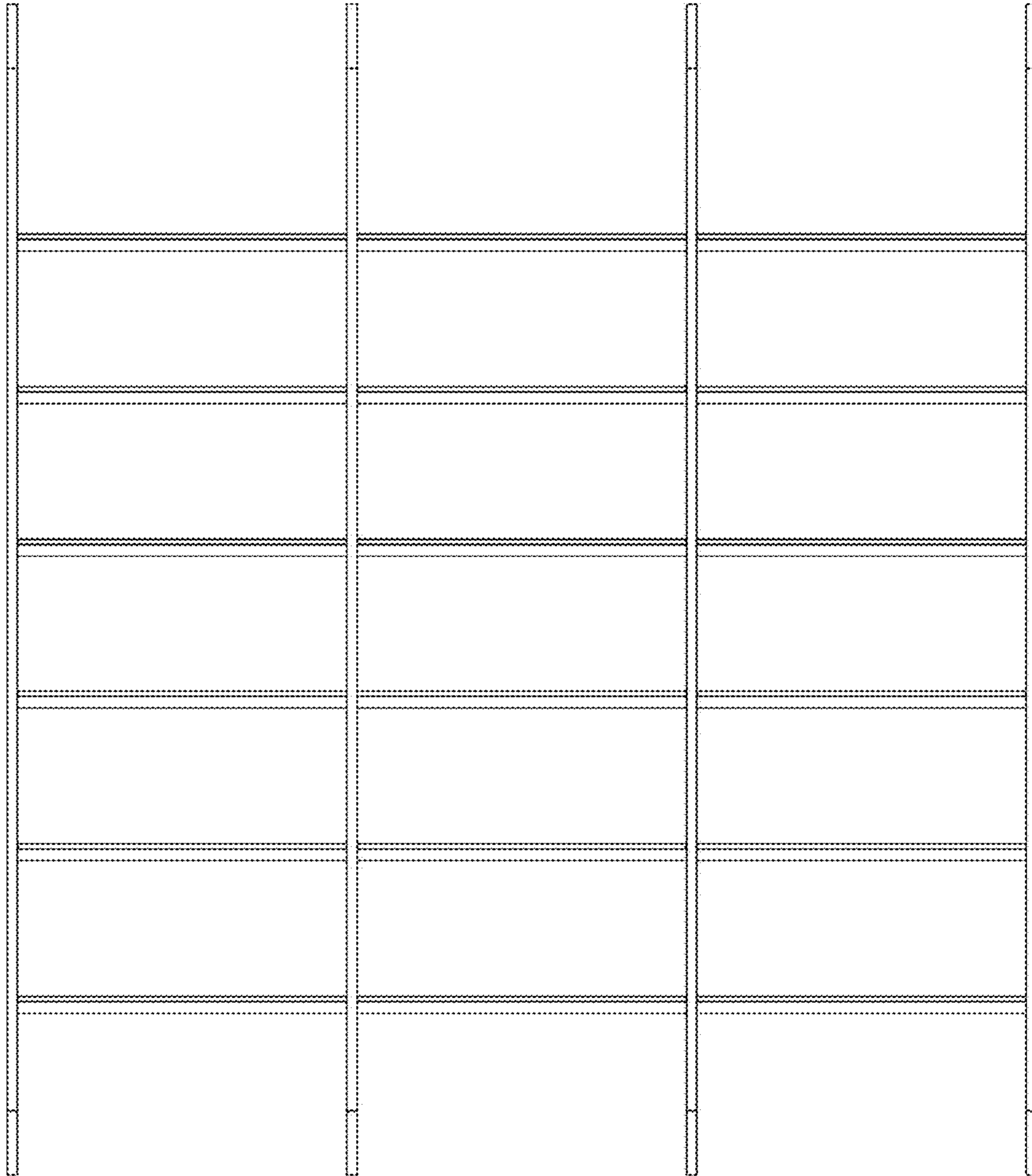


FIG. 2

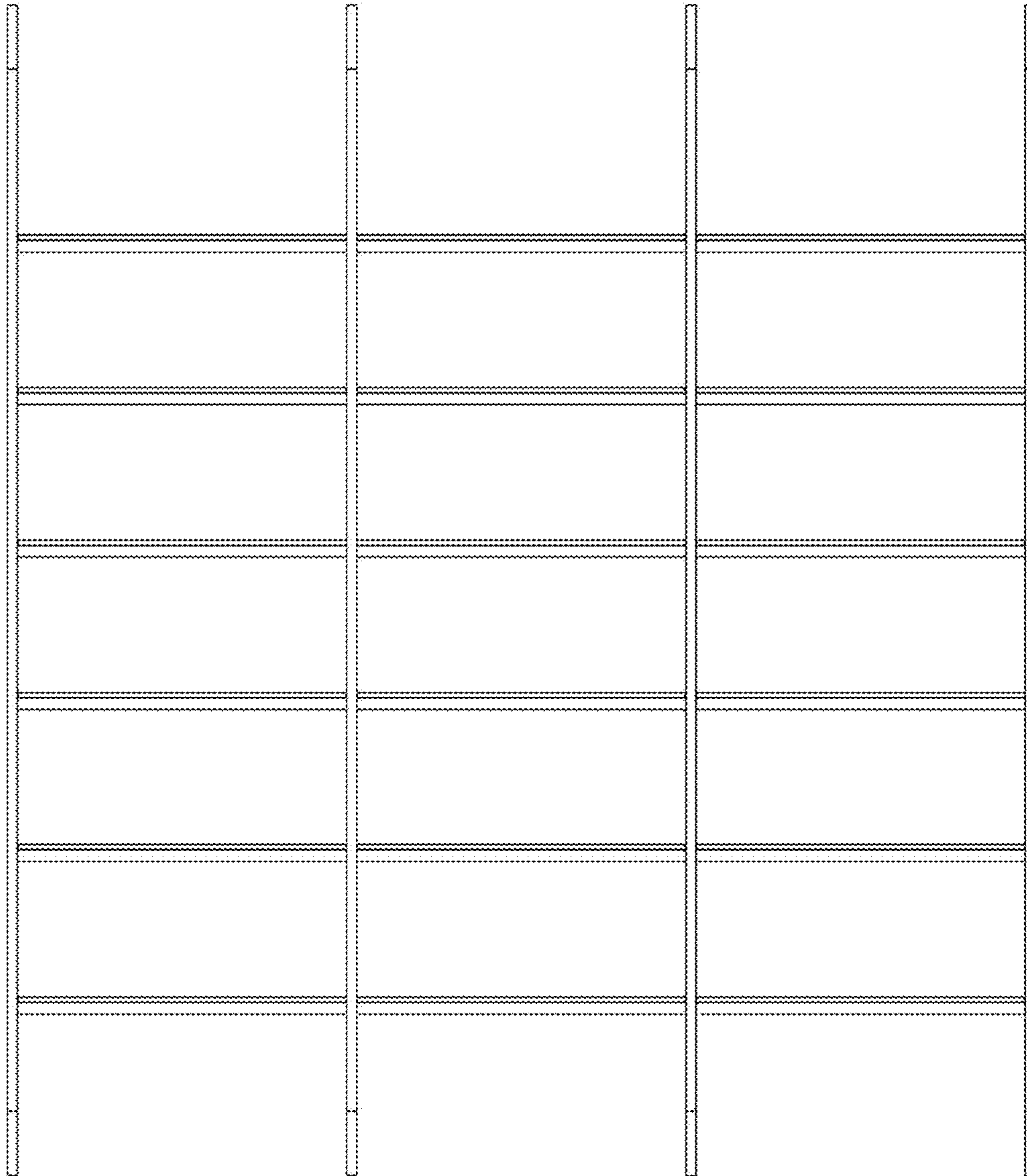


FIG. 3

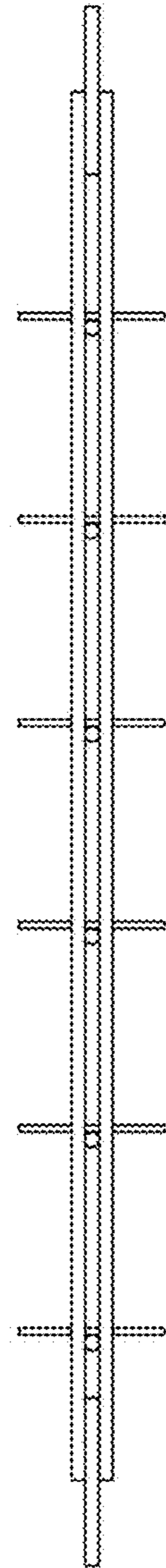


FIG. 4

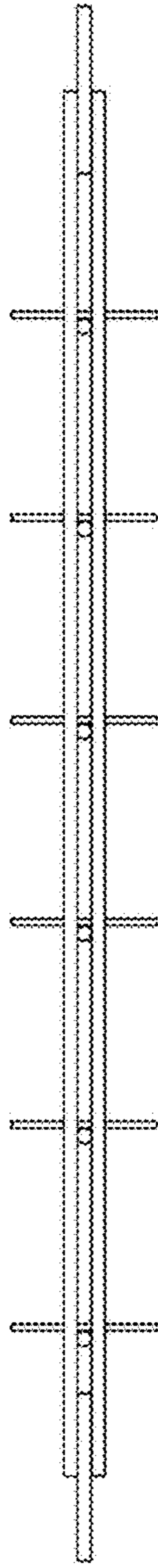


FIG. 5



FIG. 6

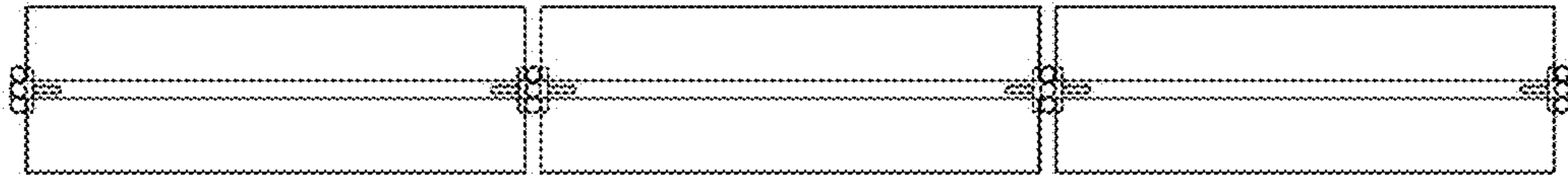


FIG. 7