



US00D872504S

(12) **United States Design Patent**
Toft

(10) **Patent No.:** **US D872,504 S**

(45) **Date of Patent:** **** Jan. 14, 2020**

- (54) **SPLIT WEDGE PILLOW**
- (71) Applicant: **Simon Toft**, Swansea (GB)
- (72) Inventor: **Simon Toft**, Swansea (GB)
- (73) Assignee: **TOFT GLOBAL LIMITED T/A ZENESSE HEALTH**, Swansea (GB)
- (**) Term: **15 Years**
- (21) Appl. No.: **29/667,967**
- (22) Filed: **Oct. 26, 2018**
- (51) **LOC (12) Cl.** **06-09**
- (52) **U.S. Cl.**
USPC **D6/601**
- (58) **Field of Classification Search**
USPC D6/601, 382, 383; D24/191
CPC A47C 7/383; A47C 16/005; A47C 20/00;
A47C 20/02; A47C 20/027; A47C 20/04;
A47G 2009/1018; A47G 9/10; A47G
9/1027; A47G 9/1081; A47G 9/0253;
A47G 9/1045; A47G 9/1072; A61G
7/072; A61G 13/121; A61G 7/07; A61G
13/1225
See application file for complete search history.

- D446,676 S * 8/2001 Mayes D6/601
 - 6,360,387 B1 * 3/2002 Everhart A47C 20/027
5/490
 - D573,830 S * 7/2008 Kalatsky D6/601
 - D587,507 S * 3/2009 Martin D6/604
 - D610,852 S * 3/2010 Rothschild D6/601
 - D635,265 S * 3/2011 Coffey D24/183
 - 7,966,679 B2 * 6/2011 Sakata A63B 21/00047
482/142
 - D651,840 S * 1/2012 Davis, III A47C 20/048
D6/601
 - D666,045 S * 8/2012 Spencer D6/601
 - D805,325 S * 12/2017 Chan D6/601
 - D824,695 S * 8/2018 Campilii D6/601
- (Continued)

(56) **References Cited**

U.S. PATENT DOCUMENTS

- 4,635,306 A * 1/1987 Willey A47C 3/16
5/632
- 5,014,376 A * 5/1991 Doran A47D 5/00
5/494
- D326,976 S * 6/1992 Wickis, Jr. D24/183
- D336,134 S * 6/1993 Kalatsky D24/190
- D370,821 S * 6/1996 Mata D6/596
- D375,989 S * 11/1996 Jacobs D21/809
- D407,259 S * 3/1999 Jackson D6/601
- 5,943,839 A * 8/1999 Miller E04D 1/26
182/45
- D439,100 S * 3/2001 Owaku D6/601

OTHER PUBLICATIONS

LuxeLift-Incline-Wedge-Pillow (on-line), dated Feb. 26, 2019. Retrieved from Internet Nov. 1, 2019, URL: <https://zenesse.health/how-to-sleep-after-shoulder-surgery/luxeleft-incline-wedge-pillow/> (1 page) (Year: 2019).*

(Continued)

Primary Examiner — Kevin K Rudzinski
Assistant Examiner — Kimberly Barnes

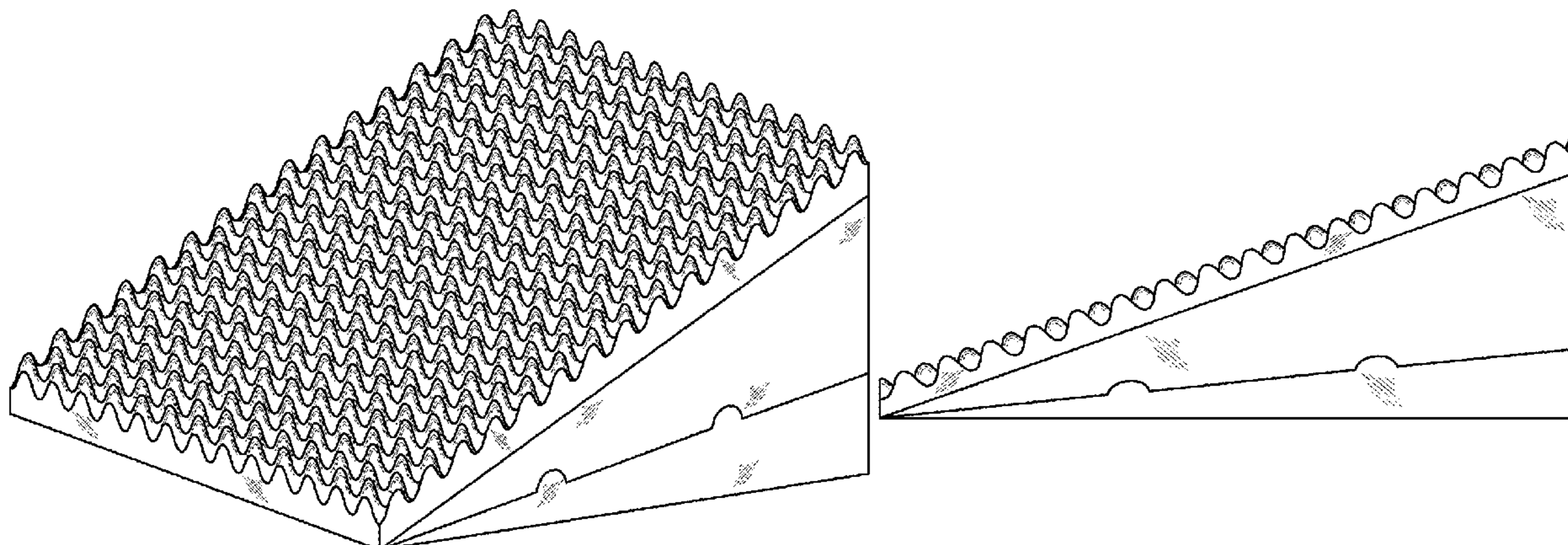
(57) **CLAIM**

The ornamental design for a split wedge pillow, as shown and described.

DESCRIPTION

FIG. 1 is a Front Perspective View of a split wedge pillow showing my new design;
FIG. 2 is a Front View thereof;
FIG. 3 is a Rear View thereof;
FIG. 4 is a Left Side View thereof;
FIG. 5 is a Right Side View thereof;
FIG. 6 is a Top View thereof; and,
FIG. 7 is a Bottom View thereof.

1 Claim, 7 Drawing Sheets



(56)

References Cited

U.S. PATENT DOCUMENTS

2004/0123390 A1* 7/2004 Takizawa A47C 20/021
5/630
2005/0229315 A1* 10/2005 Walpin A47C 20/027
5/633
2007/0107131 A1* 5/2007 Fux A47C 7/383
5/636
2018/0214733 A1* 8/2018 DeNunzio A63B 21/4039

OTHER PUBLICATIONS

Cozy Bed Wedges (on-line), dated Jul. 4, 2019. Retrieved from Internet Nov. 14, 2019, URL: <https://guomail22.top/cozy-bed-wedges/> (1 page) (Year: 2019).*

* cited by examiner

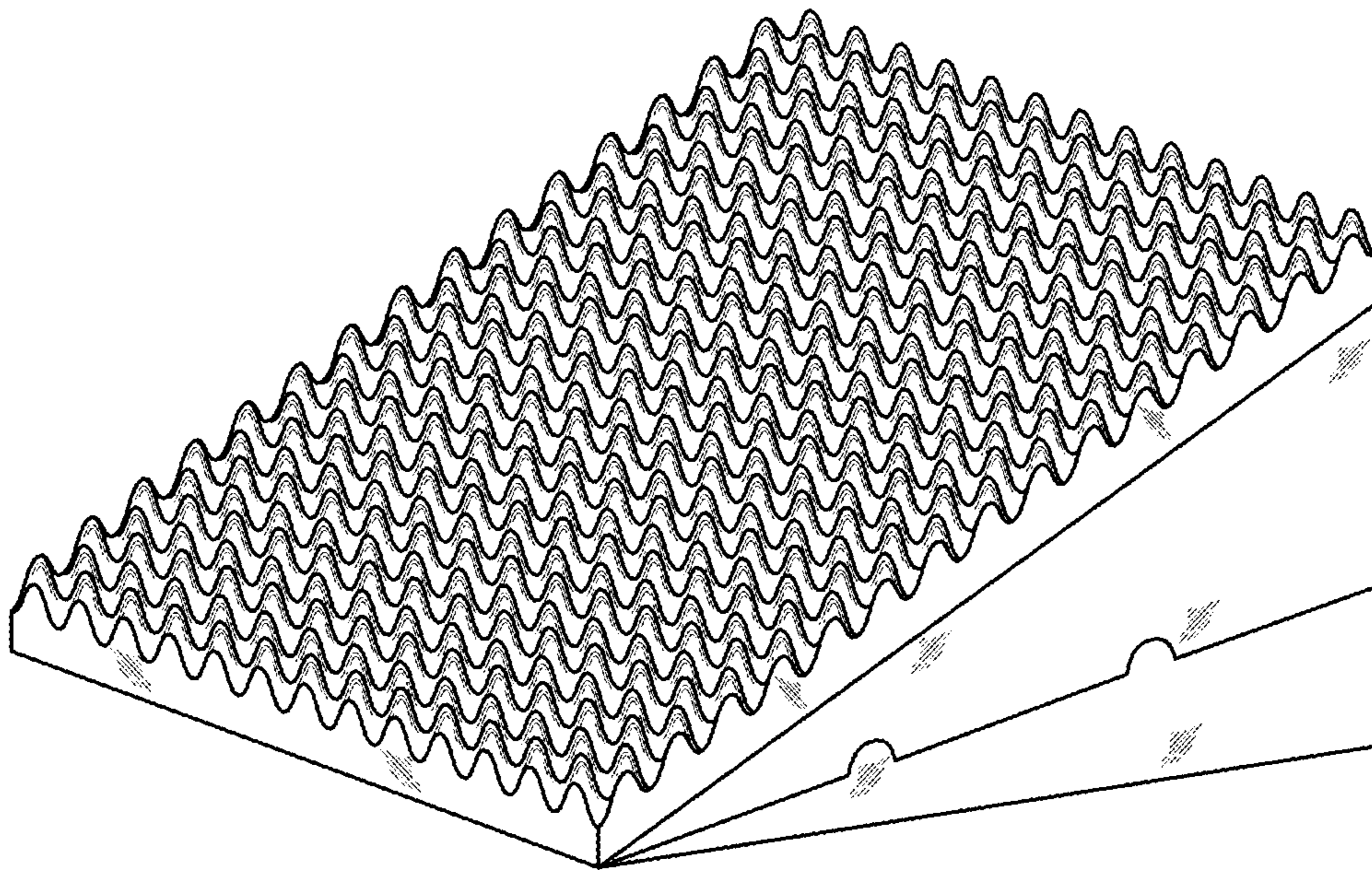


FIG. 1

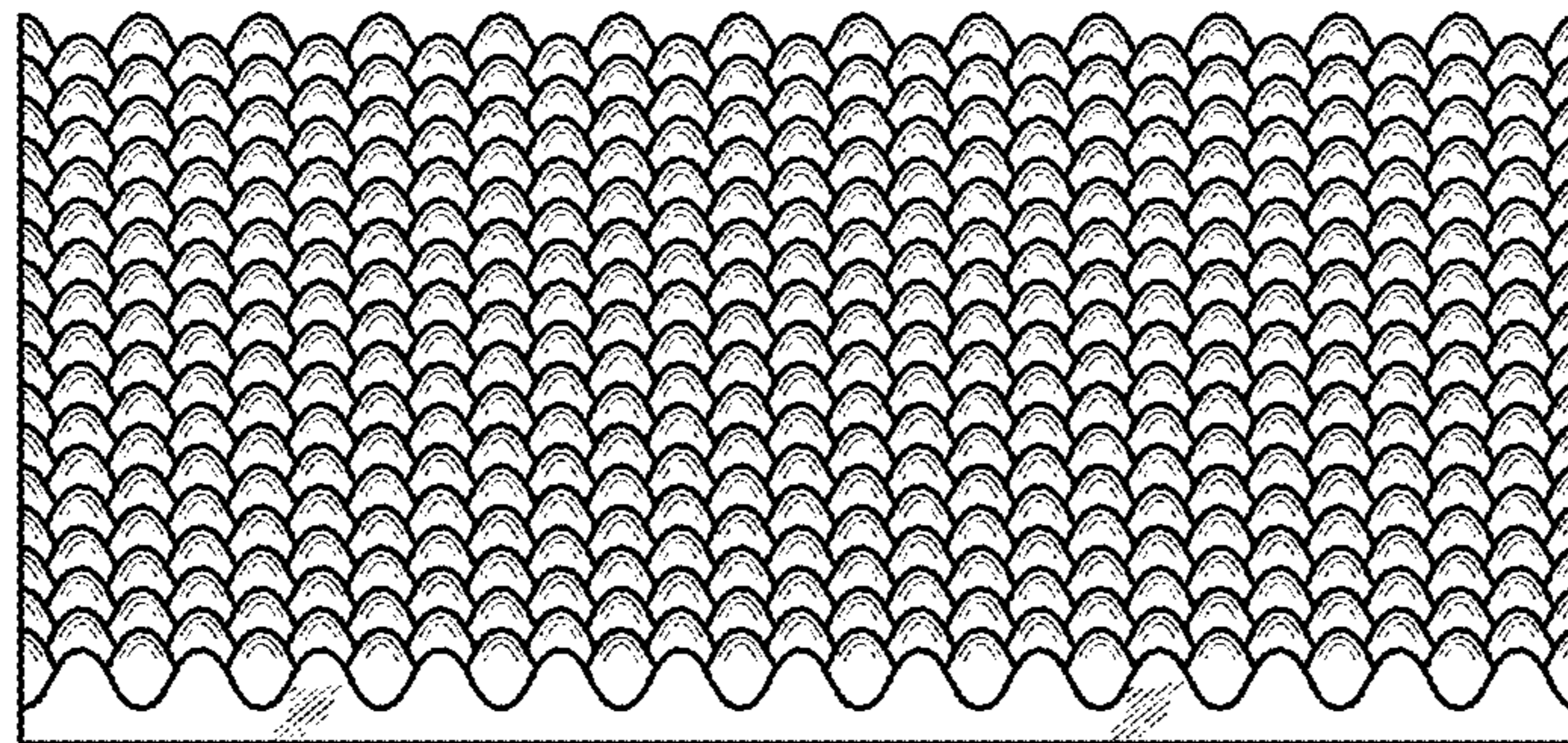


FIG. 2

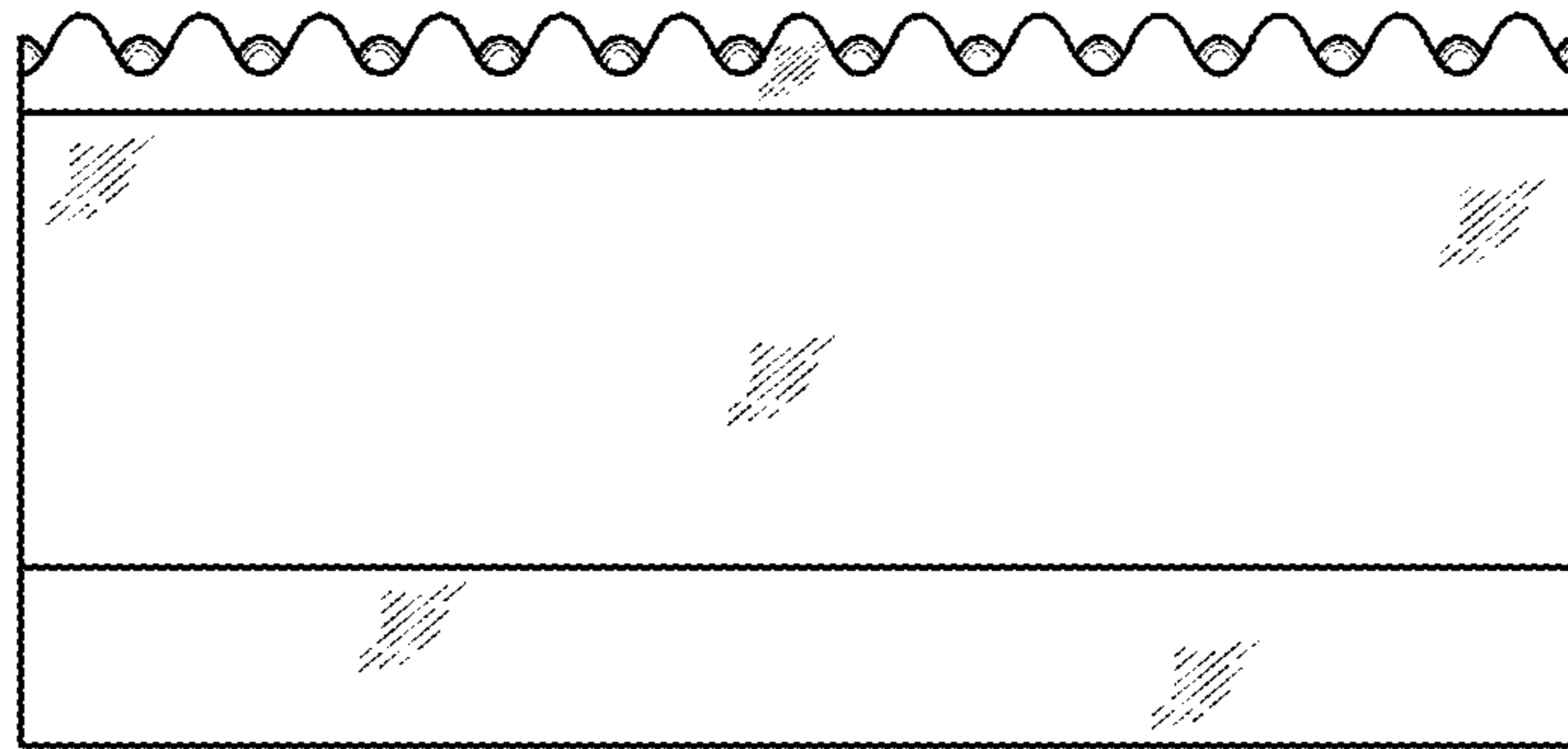


FIG. 3

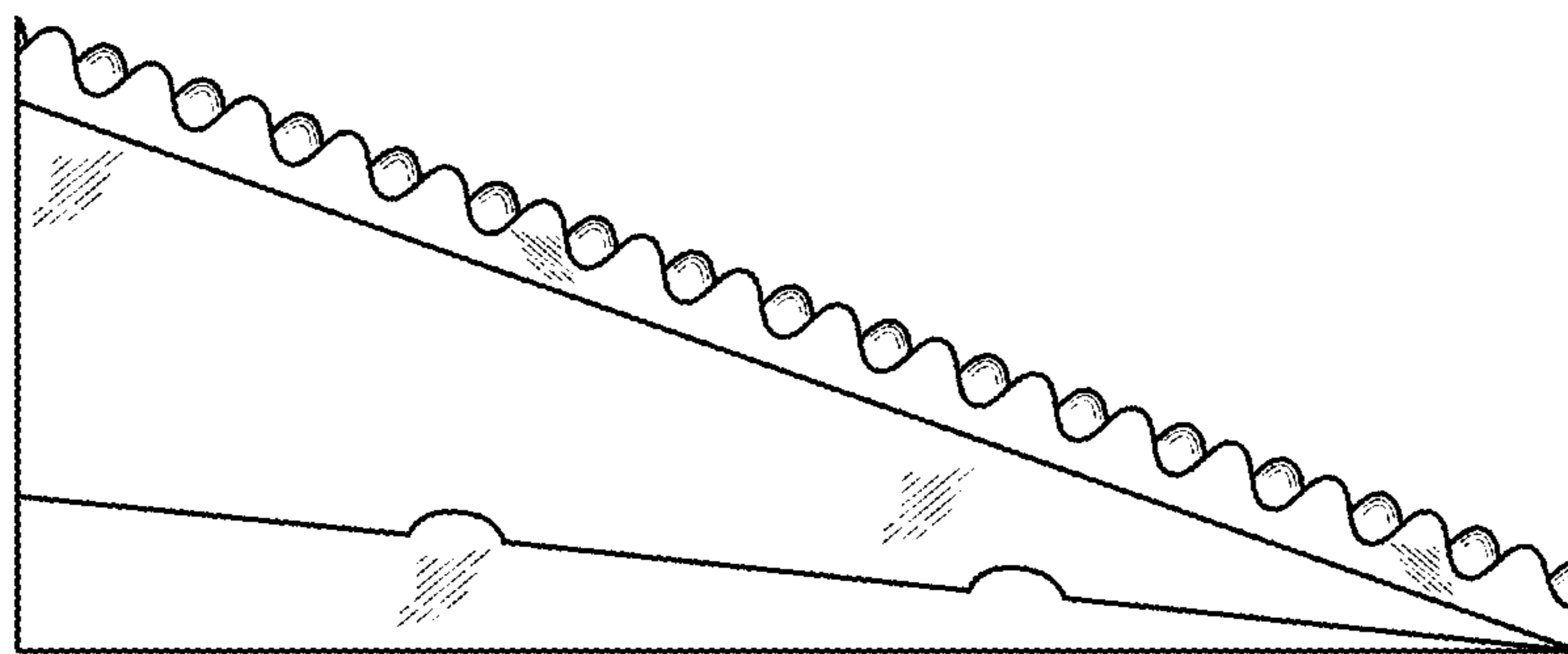


FIG. 4

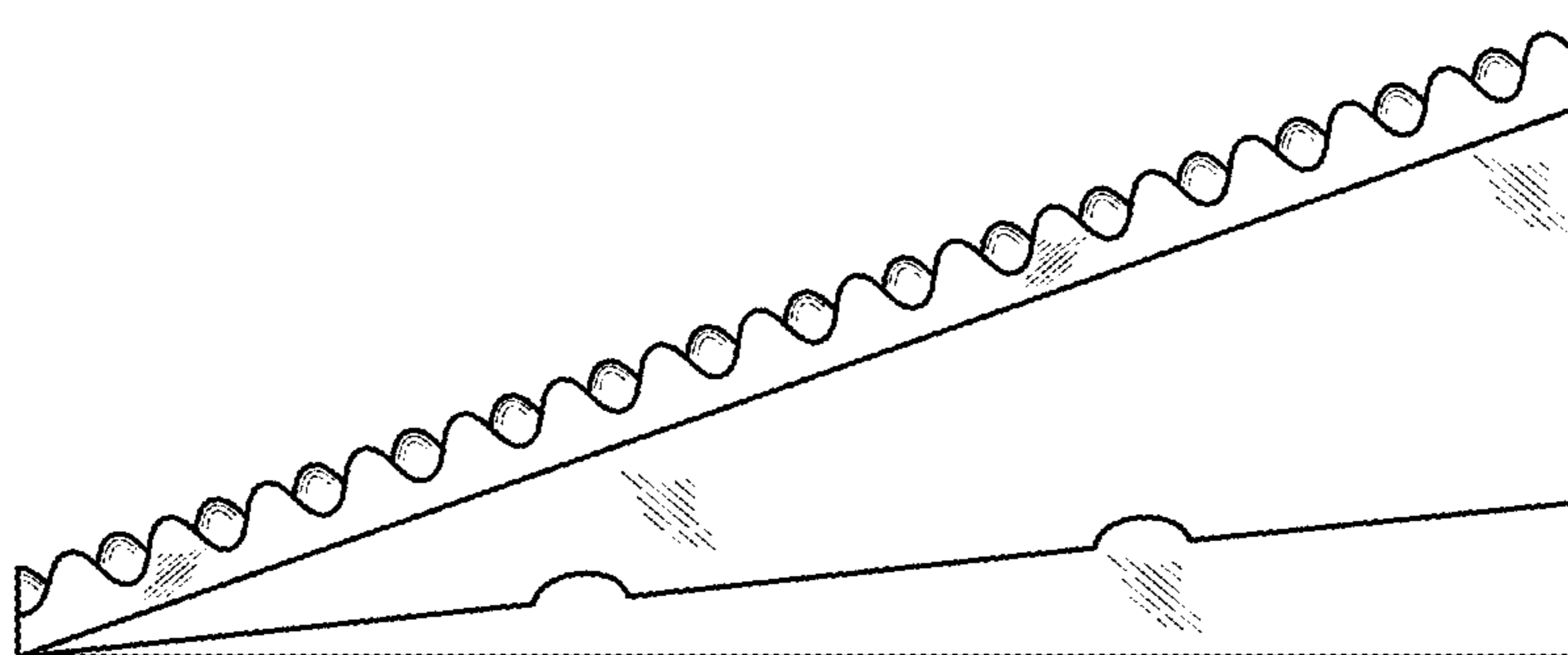


FIG. 5

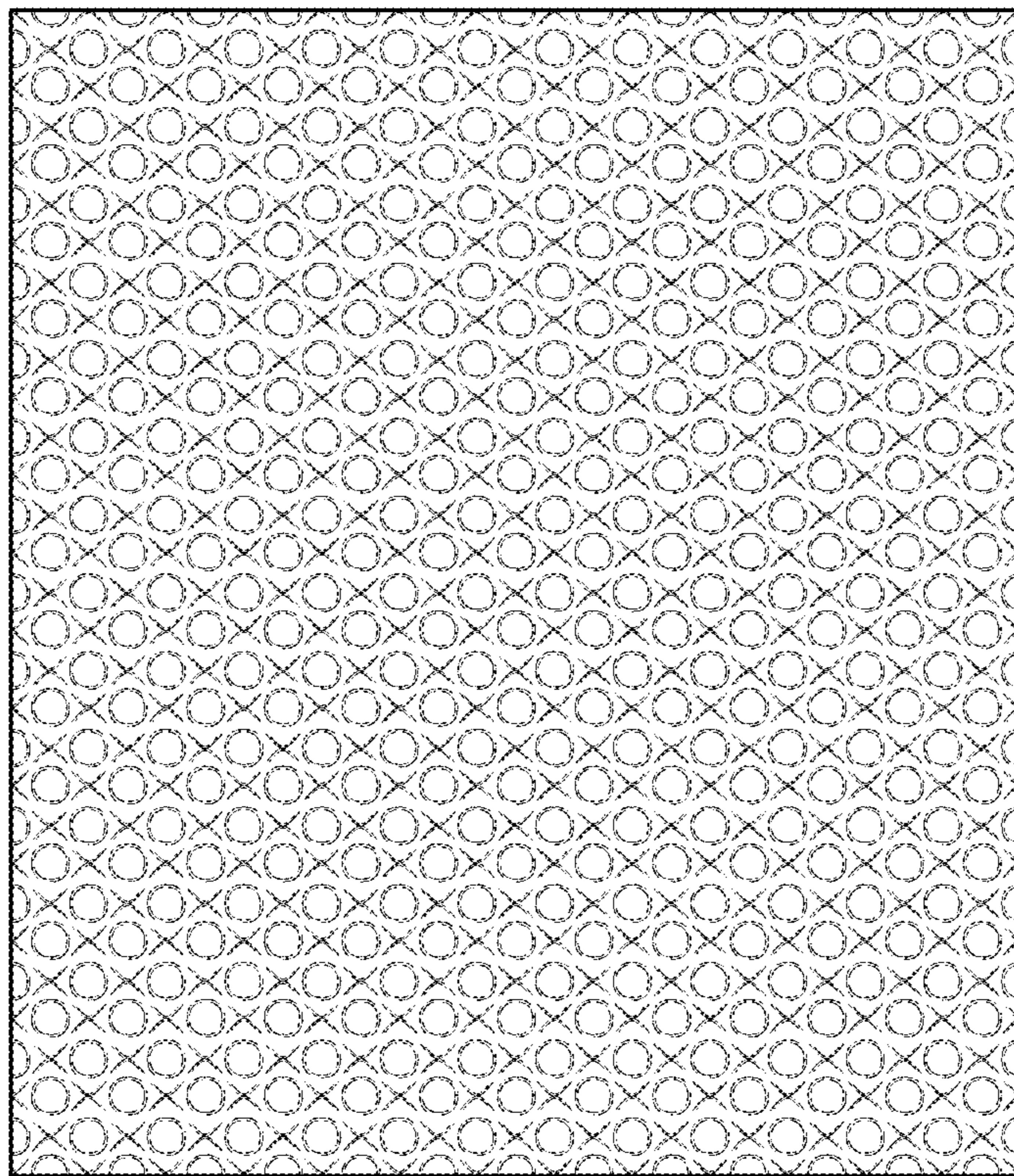


FIG. 6



FIG. 7