



US00D872501S

(12) **United States Design Patent** (10) **Patent No.:** **US D872,501 S**  
**Buccola, Jr. et al.** (45) **Date of Patent:** **\*\* Jan. 14, 2020**

- (54) **RAIL FOR BLINDS**
- (71) Applicant: **Hunter Douglas, Inc.**, Pearl River, NY (US)
- (72) Inventors: **Nickolas C. Buccola, Jr.**, Brighton, CO (US); **Stephen P. Smith**, Denver, CO (US)
- (73) Assignee: **Hunter Douglas, Inc.**, Pearl River, NY (US)
- (\*\*) Term: **15 Years**

D294,867	S *	3/1988	Meshulam	.....	D25/119
5,127,458	A	7/1992	Schaefer et al.		
5,176,192	A	1/1993	Judkins et al.		
5,285,838	A	2/1994	Rapp et al.		
5,320,154	A	6/1994	Colson et al.		
5,375,642	A	12/1994	Gaber et al.		
D368,851	S *	4/1996	Cole	.....	D8/376
5,655,590	A	8/1997	Bryant		
5,826,638	A	10/1998	Jelic		
D412,753	S *	8/1999	Colson	.....	D25/48.4
D440,100	S *	4/2001	Horsten	.....	D6/580
D440,444	S *	4/2001	Sonnenberg	.....	D6/580
D443,457	S *	6/2001	Horsten	.....	D6/580
6,412,537	B1	7/2002	Voss et al.		

(Continued)

- (21) Appl. No.: **29/626,947**
- (22) Filed: **Nov. 21, 2017**

**Related U.S. Application Data**

- (62) Division of application No. 29/540,035, filed on Sep. 21, 2015, now Pat. No. Des. 806,439.
- (51) **LOC (12) Cl.** ..... **06-10**
- (52) **U.S. Cl.**  
USPC ..... **D6/580**
- (58) **Field of Classification Search**  
USPC ..... D6/575, 577, 579, 580; D8/349, 354, D8/363, 376, 377; D25/48.4, 48.7, 48.8, D25/60, 119-125, 136, 164  
CPC . E06B 9/40; E06B 9/264; E06B 9/266; E06B 9/322; E06B 9/323; E06B 2009/2452; G02B 6/4459; G02B 6/4478  
See application file for complete search history.

(56) **References Cited**

**U.S. PATENT DOCUMENTS**

1,345,211	A	6/1920	Cooper		
1,900,769	A *	3/1933	Schemmel	.....	B60R 13/04 296/135
3,280,890	A	10/1966	Preziosi		
D229,493	S *	12/1973	Feakins	.....	D25/125

**FOREIGN PATENT DOCUMENTS**

EM 001285118-0001 7/2011

*Primary Examiner* — Leanne Was-Englehart

(74) *Attorney, Agent, or Firm* — Leason & Ellis LLP

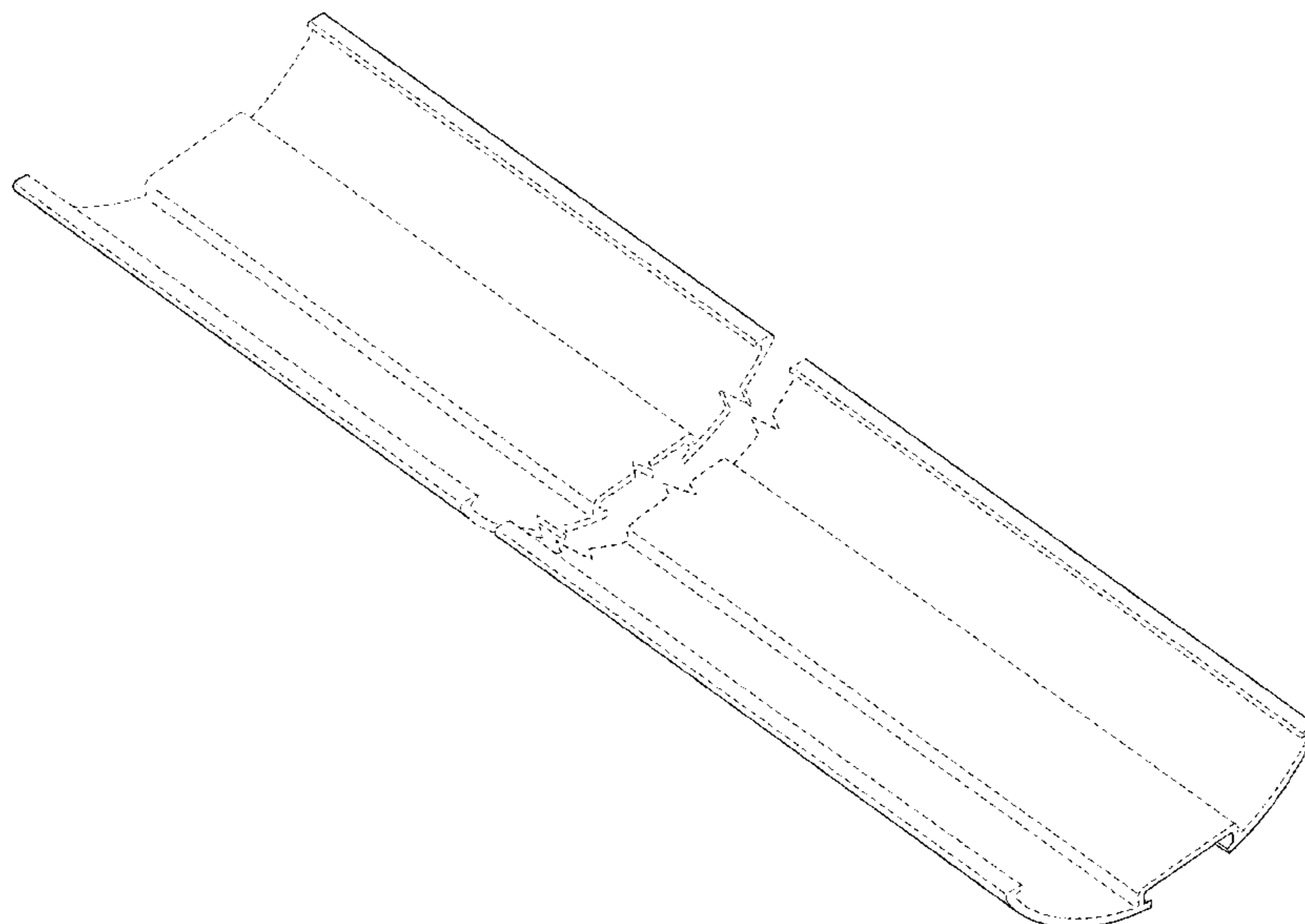
(57) **CLAIM**

We claim the ornamental design for a rail for blinds, as shown and described.

**DESCRIPTION**

FIG. 1 is a top front isometric view of a rail for blinds in accordance with the present design.  
 FIG. 2 is a front elevation view thereof.  
 FIG. 3 is a rear elevation view thereof.  
 FIG. 4 is a right side elevation view thereof.  
 FIG. 5 is a left side elevation view thereof.  
 FIG. 6 is a top plan view thereof; and,  
 FIG. 7 is a bottom plan view thereof.  
 The drawings contain symbolic break lines. The portion between the break lines forms no part of the claimed design. The drawings contain dash-dash broken lines that illustrate portions of the rail for blinds that form no part of the claimed design.

**1 Claim, 3 Drawing Sheets**



(56)

References Cited

U.S. PATENT DOCUMENTS

D473,663	S *	4/2003	Chou	.....	D25/122	D762,462	S *	8/2016	Anderson	.....	D25/121
6,546,989	B2	4/2003	Coleman et al.			9,410,371	B2 *	8/2016	Faller	.....	E06B 9/322
6,550,522	B1	4/2003	Lennon et al.			D772,435	S *	11/2016	Bonuccelli	.....	D25/122
6,758,258	B1	7/2004	Nien			D774,210	S *	12/2016	Schanz	.....	D25/48.4
6,845,806	B2	1/2005	Gottschall et al.			D806,439	S *	1/2018	Buccola, Jr.	.....	D6/580
D522,297	S *	6/2006	Miller	.....	D6/580	10,174,551	B2 *	1/2019	Buccola, Jr.	.....	E06B 9/367
D530,967	S *	10/2006	Smith	.....	D6/580	2002/0046816	A1 *	4/2002	Judkins	.....	E06B 9/264
D542,068	S *	5/2007	Watkins	.....	D6/580						160/32
D546,104	S *	7/2007	Miller	.....	D6/580	2008/0149280	A1 *	6/2008	Smith	.....	E06B 9/262
D601,274	S *	9/2009	Koenig, Jr.	.....	D25/164						160/121.1
D633,320	S *	3/2011	Brace	.....	D6/580	2009/0294076	A1	12/2009	McNiel		
D647,629	S *	10/2011	Seehof	.....	D25/41.1	2011/0056630	A1 *	3/2011	Buccola, Jr.	.....	E06B 9/36
D647,630	S *	10/2011	Seehof	.....	D25/41.1						160/168.1 V
D649,686	S *	11/2011	Trzesniowski	.....	D26/138	2014/0262068	A1 *	9/2014	Buccola, Jr.	.....	E06B 9/322
D675,750	S *	2/2013	King	.....	D25/122						160/120
D677,405	S *	3/2013	Landis	.....	D25/121	2015/0034262	A1	2/2015	Franssen		
D680,357	S *	4/2013	Wills	.....	D6/580	2016/0130866	A1 *	5/2016	Buccola, Jr.	.....	E06B 9/322
D750,276	S *	2/2016	Hicks	.....	D25/48.4						185/9
9,322,210	B2	4/2016	Lukosiunas et al.			2017/0081915	A1 *	3/2017	Buccola, Jr.	.....	E06B 9/367
						2017/0211322	A1 *	7/2017	Smith	.....	E06B 9/322
						2018/0371834	A1 *	12/2018	Watkins	.....	E06B 9/32

\* cited by examiner

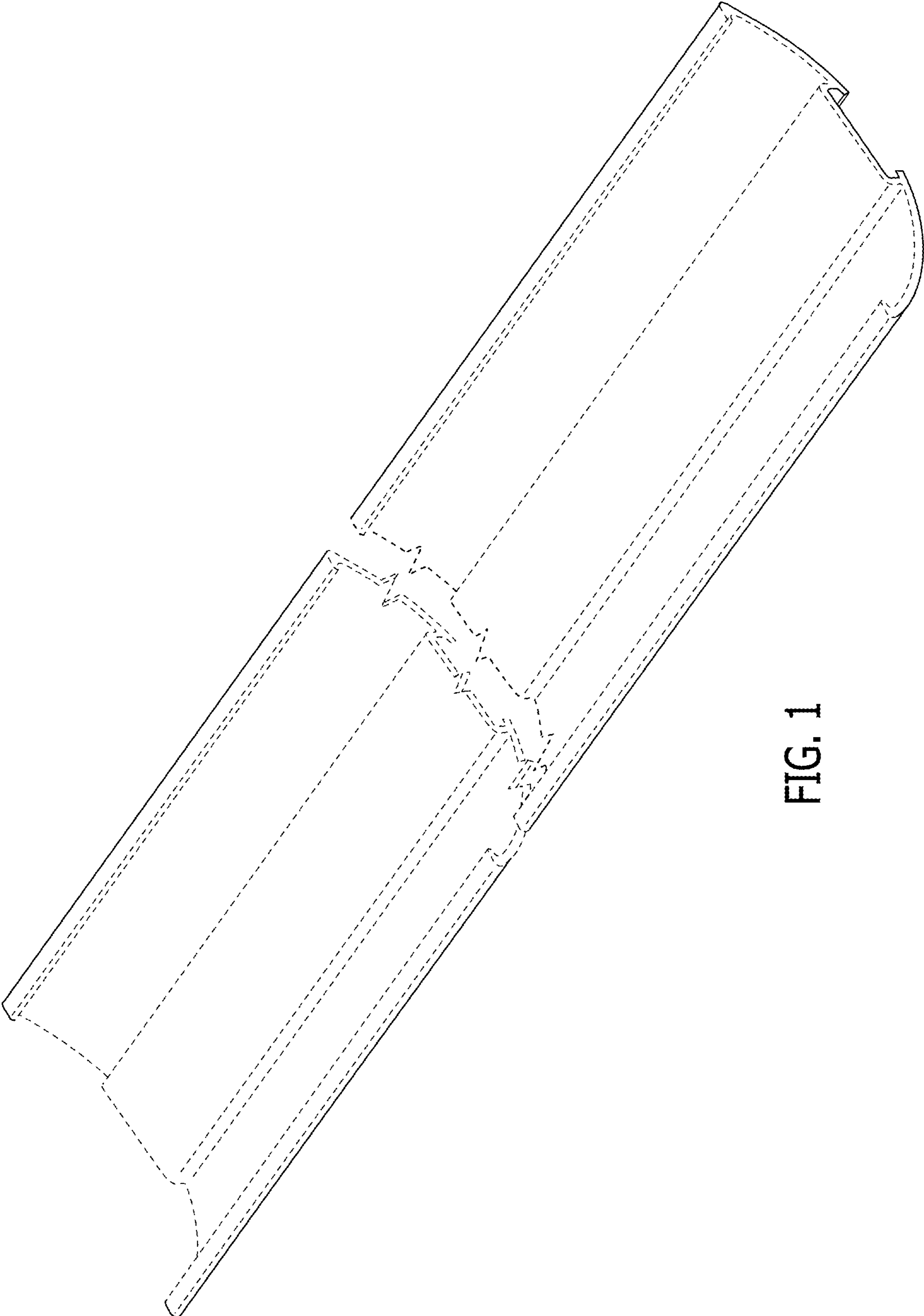


FIG. 1

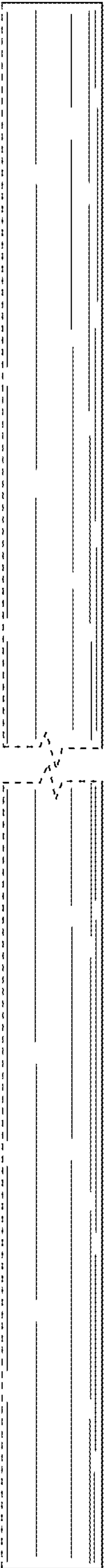


FIG. 2



FIG. 3



FIG. 4



FIG. 5

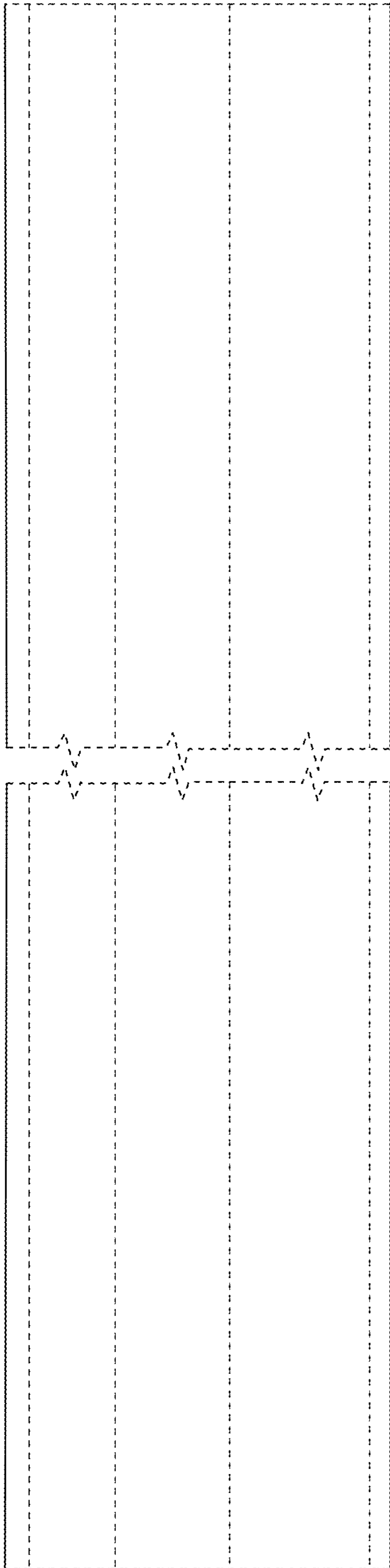


FIG. 6

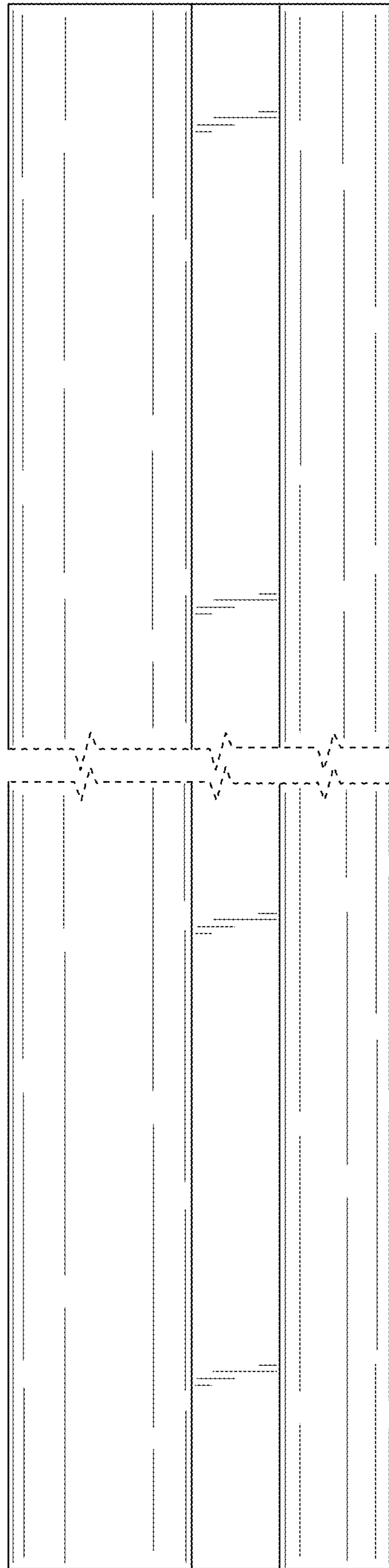


FIG. 7