



US00D872495S

(12) **United States Design Patent**
White, III et al.

(10) **Patent No.:** **US D872,495 S**

(45) **Date of Patent:** **** Jan. 14, 2020**

(54) **LOUNGE CHAIR**

(71) Applicant: **Gabriella White, LLC**, Pelham, AL
(US)

(72) Inventors: **William Bew White, III**, Pelham, AL
(US); **Ryan Higginbotham**, Pelham,
AL (US)

(73) Assignee: **Gabriella White, LLC**, Pelham, AL
(US)

(**) Term: **15 Years**

(21) Appl. No.: **29/673,533**

(22) Filed: **Dec. 14, 2018**

(51) **LOC (12) Cl.** **06-01**

(52) **U.S. Cl.**
USPC **D6/369**

(58) **Field of Classification Search**
USPC D6/334, 360, 361, 362, 364, 368, 369,
D6/370, 371, 377, 336, 358, 375, 376,
D6/381; D30/118; D5/47
CPC A47C 1/026; A47C 1/032; A47C 1/143;
A47C 1/146; A47C 4/02; A47C 4/12;
A47C 4/46; A47C 5/06; A47C 5/10;
A47C 5/125; A47C 7/40; A47C 15/006;
A47C 17/162; A47C 17/1753; A47C
20/04; A47C 20/08; A47C 23/24; A47C
31/11; Y10S 297/90
See application file for complete search history.

(56) **References Cited**

U.S. PATENT DOCUMENTS

D221,641 S * 8/1971 Fisher D6/373
D226,793 S * 5/1973 Watamura D6/364
D239,990 S * 5/1976 Olko D6/369

D241,093 S * 8/1976 Olko D6/369
D245,380 S * 8/1977 Olko D6/364
D249,410 S * 9/1978 Dranger D6/369
D258,400 S * 3/1981 Thorpe D6/369
D264,529 S * 5/1982 Olko D6/369
D266,639 S * 10/1982 Thorpe D6/369
D269,483 S * 6/1983 Olko D6/369
D270,975 S * 10/1983 Olko D6/373
D278,871 S * 5/1985 Giorgetti D6/369
D286,587 S * 11/1986 Culler D6/334
D289,347 S * 4/1987 Halme D6/370
D342,167 S * 12/1993 Hess D6/370
D418,321 S * 1/2000 Regensburg D6/344
D547,079 S * 7/2007 Wang D6/369
D615,314 S * 5/2010 Charoenapornwatana D6/373
D620,267 S * 7/2010 Terrutty D6/358
D682,574 S * 5/2013 Pedersen D6/373
D766,607 S * 9/2016 Dorigo D6/373
D854,847 S * 7/2019 Ho D6/369
D855,344 S * 8/2019 Ho D6/369

* cited by examiner

Primary Examiner — Kevin K Rudzinski

Assistant Examiner — Paul D Bohannon

(74) *Attorney, Agent, or Firm* — Thomas G. Peterson;
Maynard Cooper & Gale

(57) **CLAIM**

The ornamental design for a lounge chair, as shown and described.

DESCRIPTION

FIG. 1 is a front perspective view of the lounge chair;
FIG. 2 is a front elevation view thereof;
FIG. 3 is a top plan view thereof;
FIG. 4 is a side elevation view thereof; the opposite side is
a mirror image thereof;
FIG. 5 is a rear perspective view thereof; and,
FIG. 6 is a rear elevation view thereof.

1 Claim, 6 Drawing Sheets





FIG. 1

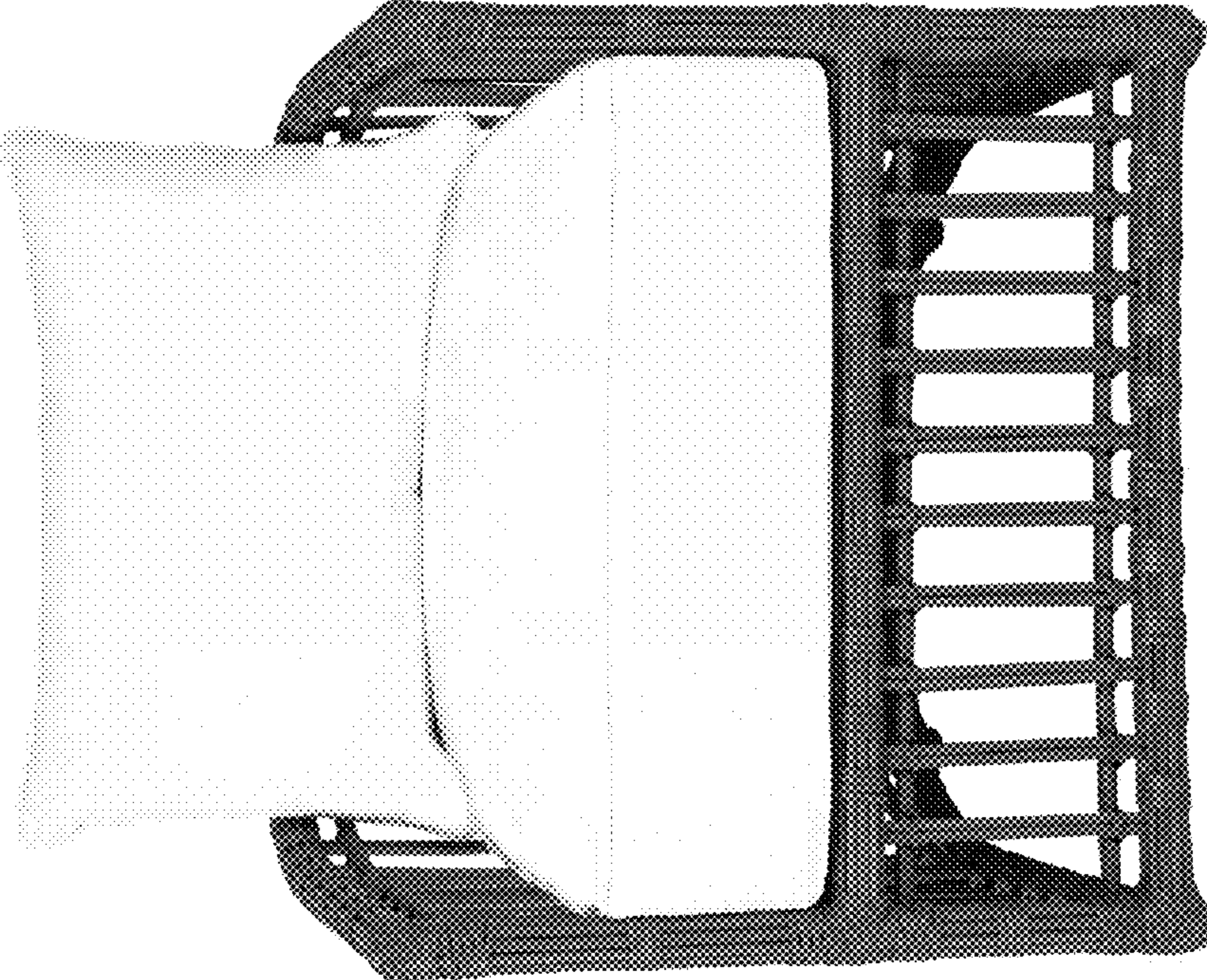


FIG. 2

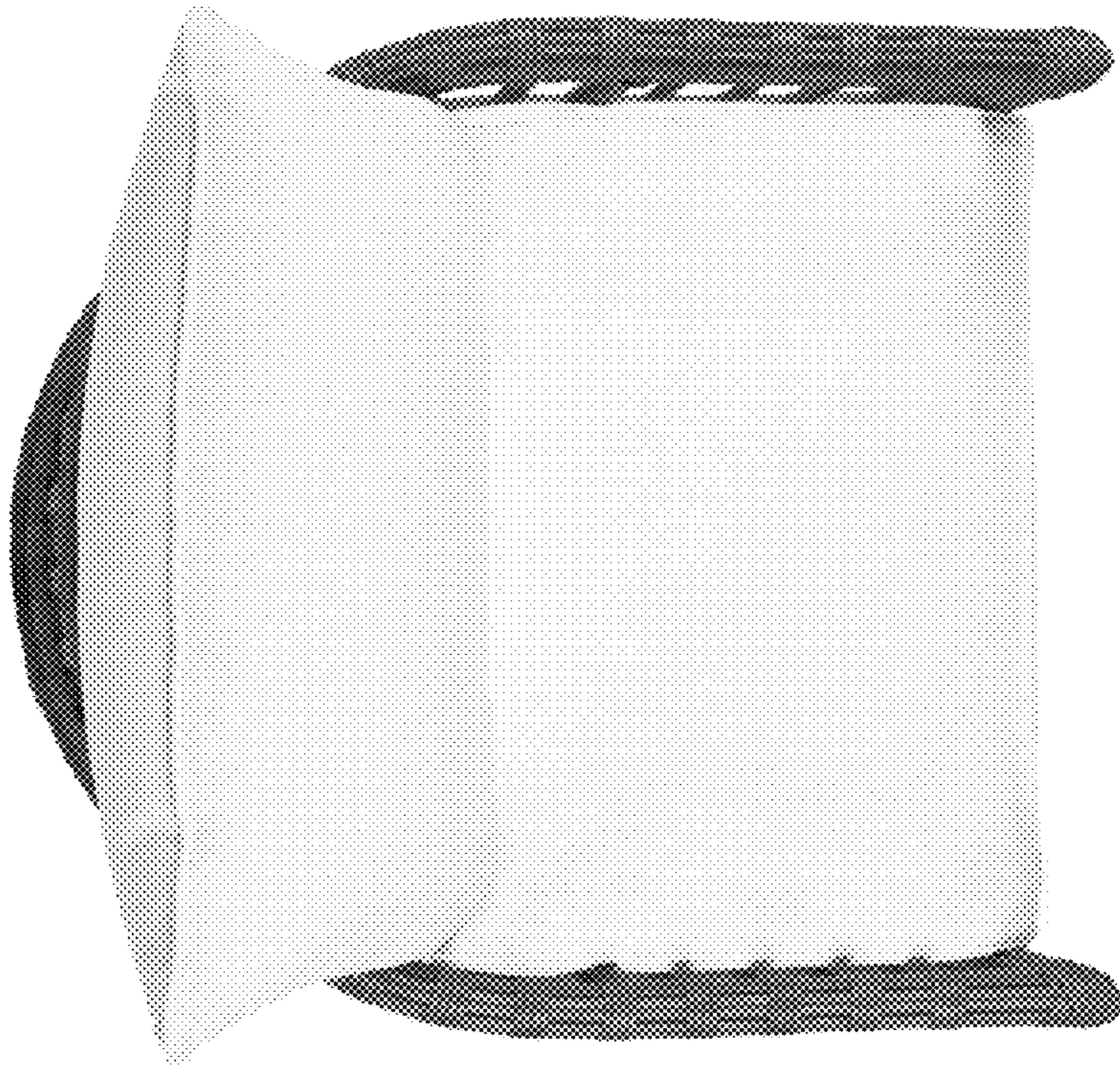


FIG. 3

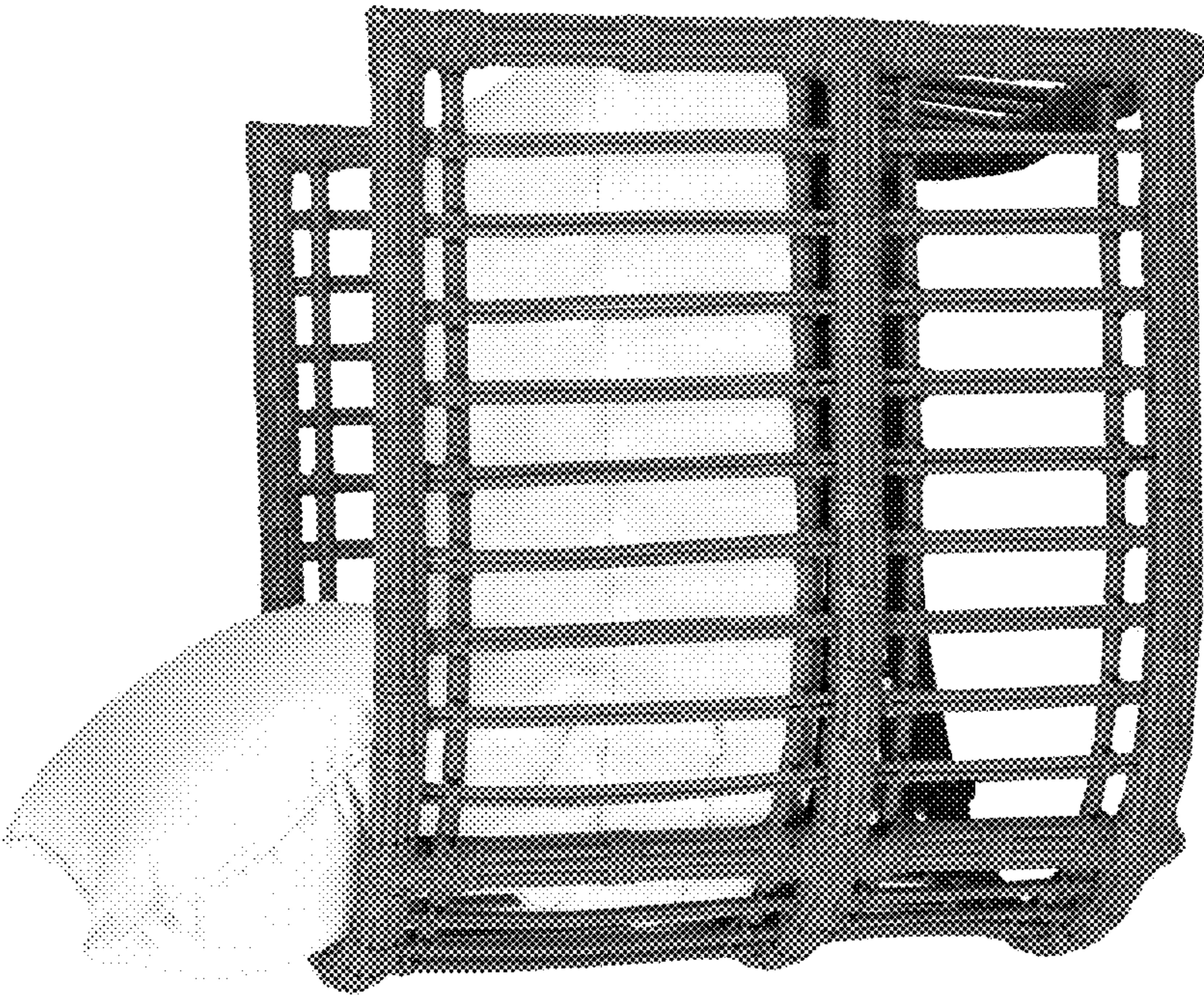


FIG. 4

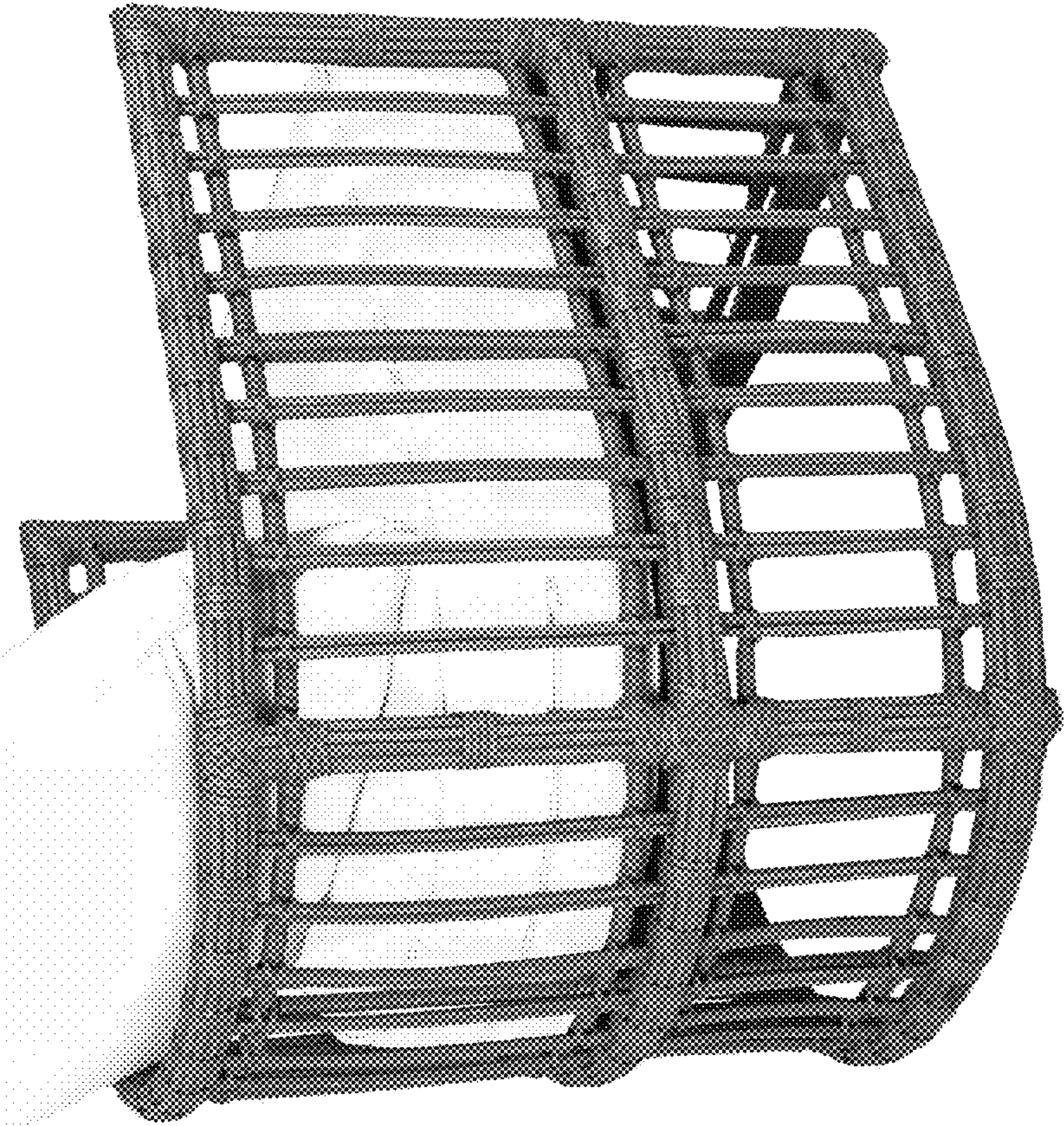


FIG. 5

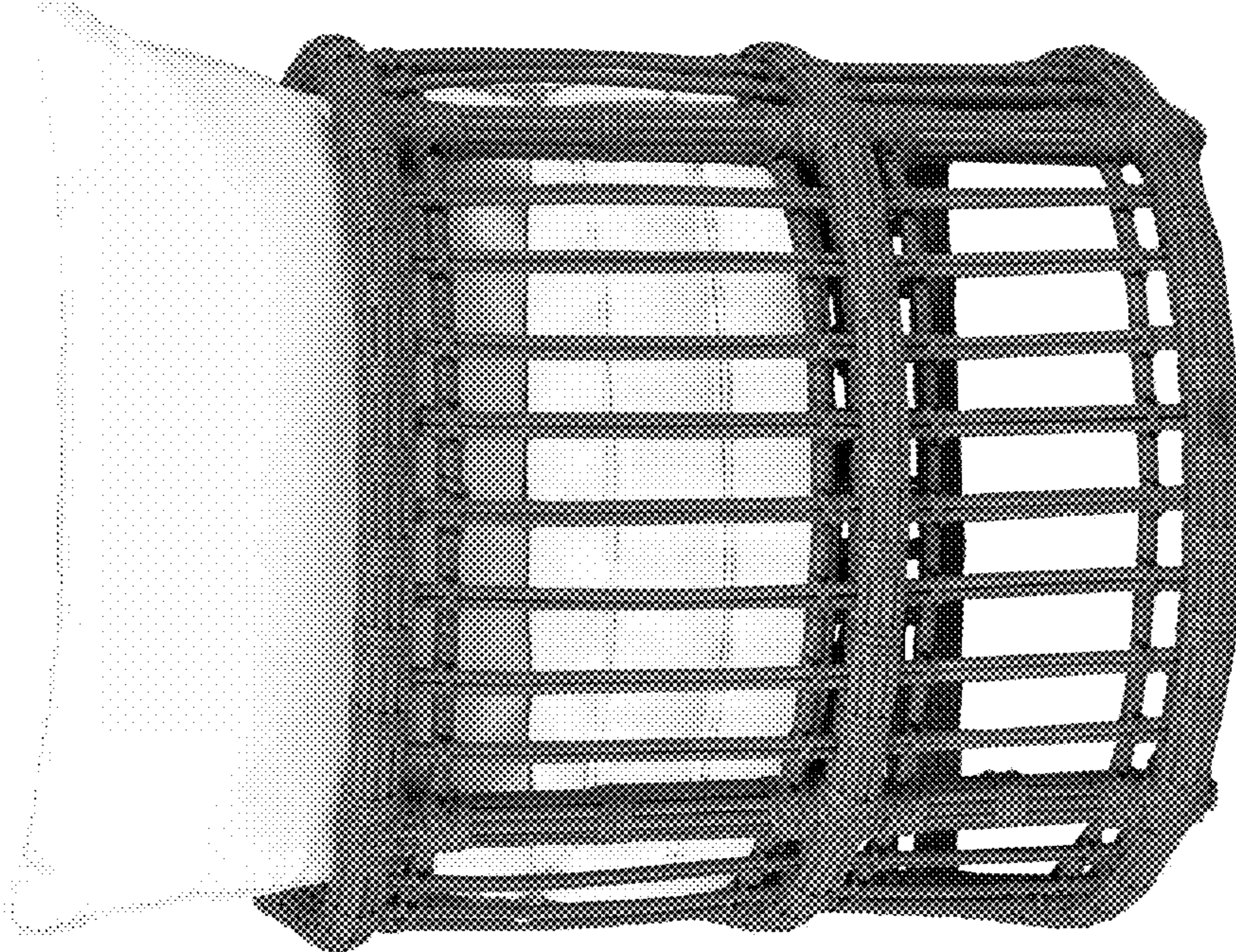


FIG. 6