



US00D872491S

(12) **United States Design Patent** (10) **Patent No.:** **US D872,491 S**
Borras Pons (45) **Date of Patent:** **** Jan. 14, 2020**

(54) **SEATING**

(71) Applicant: **FIGUERAS SEATING SOLUTIONS, S.L.**, Llica d'Amunt (Barcelona) (ES)

(72) Inventor: **Pablo Borras Pons**, Llica d'Amunt (ES)

(73) Assignee: **FIGUERAS SEATING SOLUTIONS, S.L.**, Llica d'Amunt (Barcelona) (ES)

(**) Term: **15 Years**

(21) Appl. No.: **29/590,574**

(22) Filed: **Jan. 11, 2017**

(30) **Foreign Application Priority Data**

Jul. 11, 2016	(EM)	003301472-0001
Jul. 11, 2016	(EM)	003301472-0002
Jul. 11, 2016	(EM)	003301472-0003
Jul. 11, 2016	(EM)	003301472-0004
Jul. 11, 2016	(EM)	003301472-0005

(51) **LOC (12) Cl.** **06-01**

(52) **U.S. Cl.**
USPC **D6/367**

(58) **Field of Classification Search**
USPC D6/334-336, 364, 367, 368, 374, 379,
D6/380, 716, 716.1, 716.2, 716.3, 716.4
CPC A47C 1/12; A47C 1/121; A47C 1/124;
A47C 1/13; A47C 7/40; A47C 7/56;
A47C 5/63; A47C 5/66
See application file for complete search history.

(56) **References Cited**

U.S. PATENT DOCUMENTS

2,492,105	A *	12/1949	Orton	A47C 7/56 297/331
2,492,109	A *	12/1949	Prosser	A47C 7/56 297/331
D165,457	S *	12/1951	Hoven et al.	D6/368
2,608,238	A *	8/1952	Larsen	A47C 7/56 297/332

(Continued)

Primary Examiner — Mimoso De

(74) Attorney, Agent, or Firm — Lucas & Mercanti, LLP

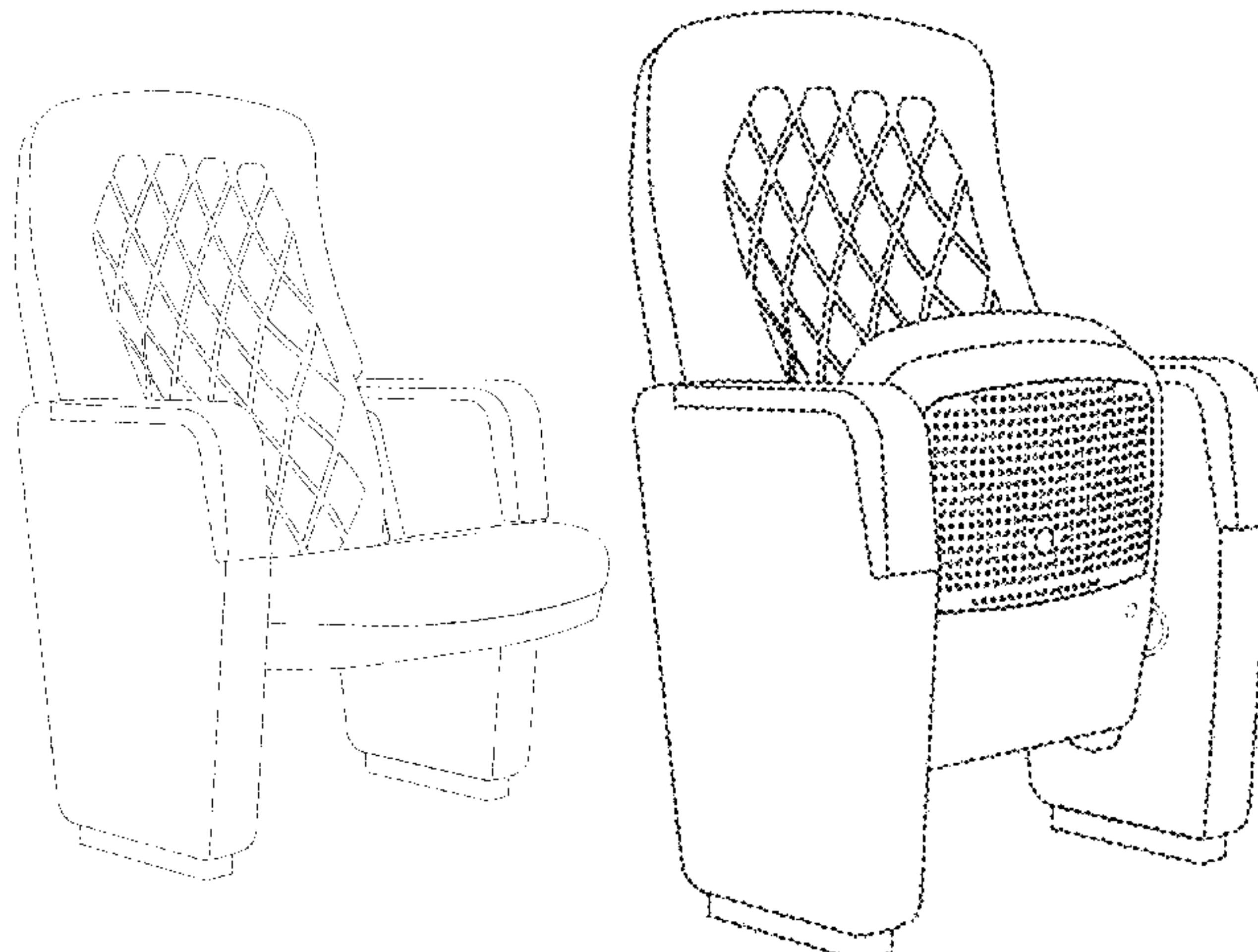
(57) **CLAIM**

The ornamental design for seating, as shown and described.

DESCRIPTION

FIG. 1 is a side view of a seating in a folded position;
FIG. 2 is a front view thereof;
FIG. 3 is another side view thereof;
FIG. 4 is a back view thereof;
FIG. 5 is a top view thereof;
FIG. 6 is a front perspective view thereof;
FIG. 7 is a front perspective view thereof in an unfolded position;
FIG. 8 is a side view of a second embodiment of the seating in a folded position;
FIG. 9 is a front view thereof;
FIG. 10 is another side view thereof;
FIG. 11 is a back view thereof;
FIG. 12 is a top view thereof;
FIG. 13 is a front perspective top view thereof;
FIG. 14 is a front perspective view thereof in an unfolded position;
FIG. 15 is an overall view of the design of a backrest of the seating;
FIG. 16 is a duplicate view of the design of FIG. 15 showing areas of the details;
FIG. 17 is an enlarged detail of FIG. 15 indicated on FIG. 16; and,
FIG. 18 is a second enlarged detail of FIG. 15 indicated on FIG. 16.
The broken lines in the drawings are environmental structure or boundaries that form no part of the claimed design.

1 Claim, 18 Drawing Sheets



(56)

References Cited

U.S. PATENT DOCUMENTS

D175,683 S * 9/1955 Hoven et al. D6/368
3,116,090 A * 12/1963 Kornbluth A47C 1/13
297/463.2
3,137,527 A * 6/1964 Hoven A47C 1/121
297/331
D222,350 S * 10/1971 Sundberg et al. D6/368

* cited by examiner

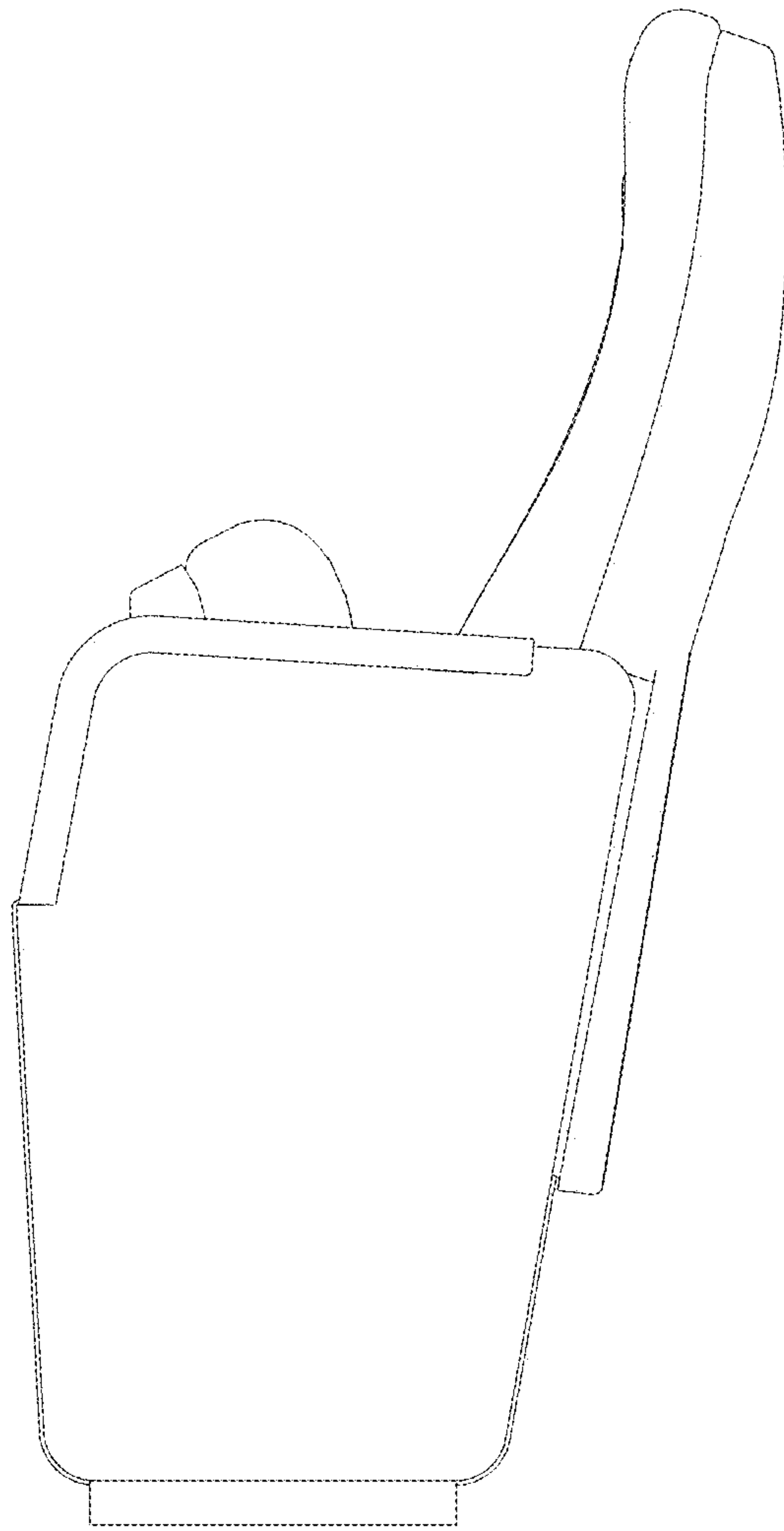


FIG. 1

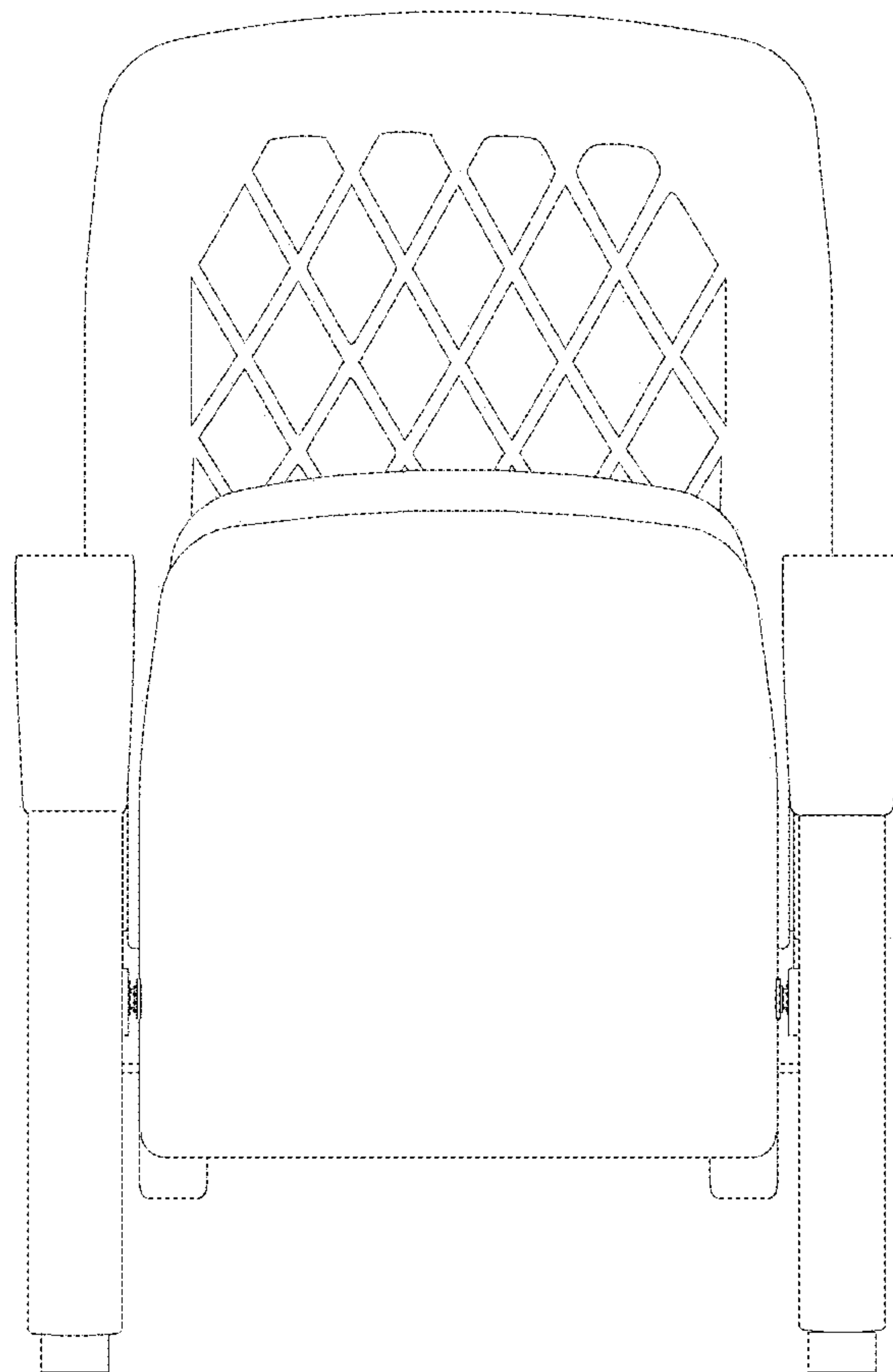


FIG. 2

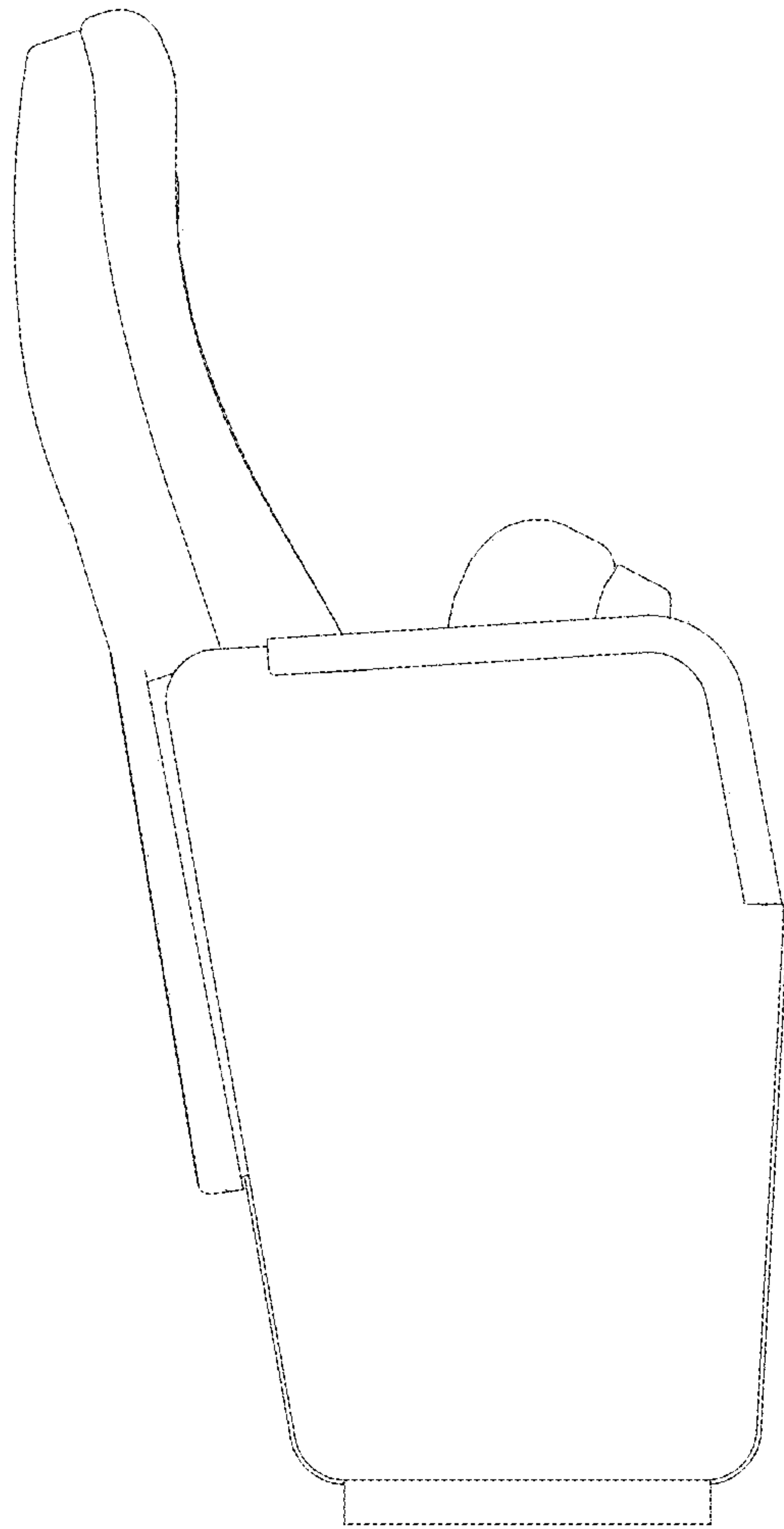


FIG. 3

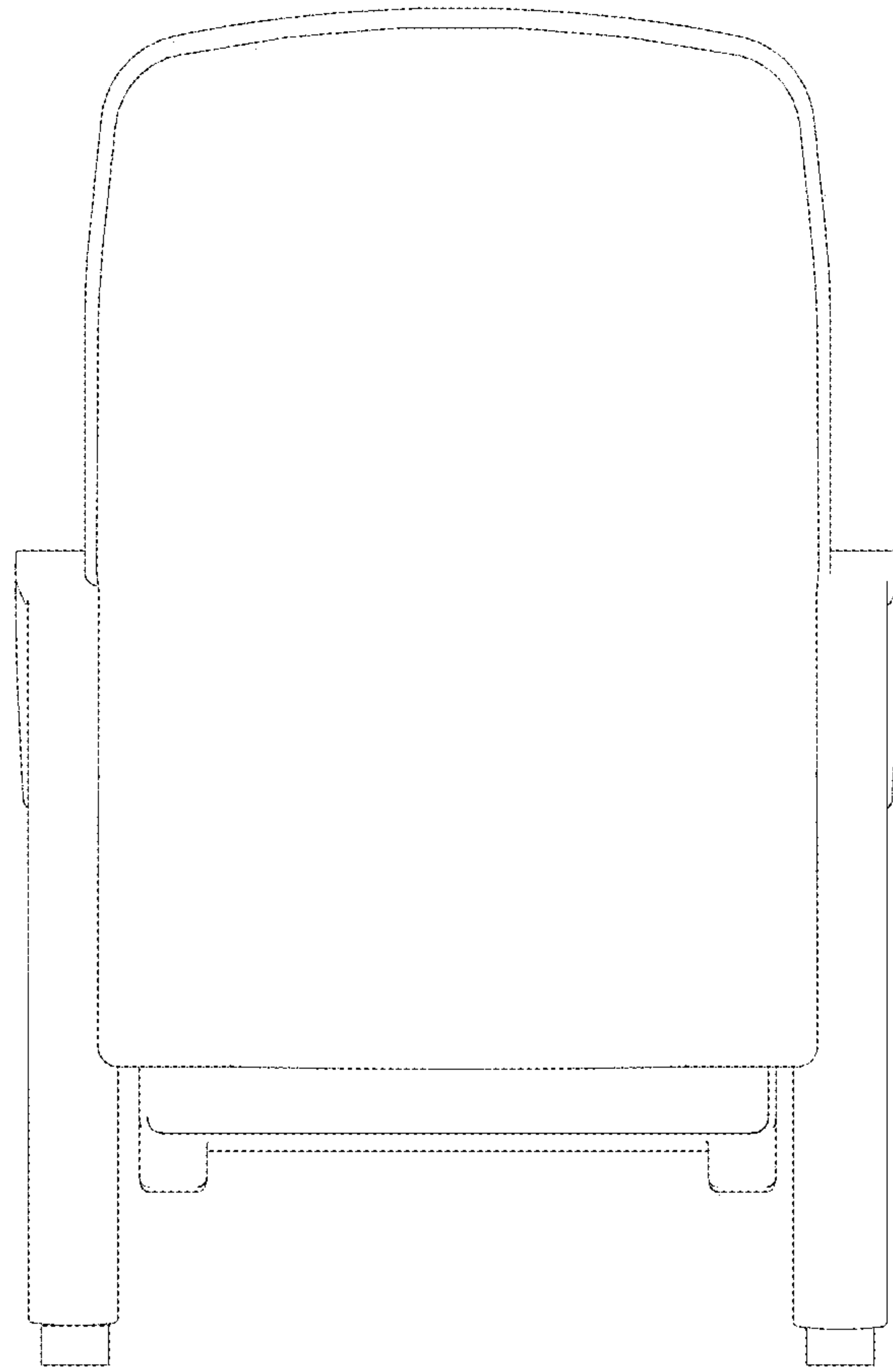


FIG. 4

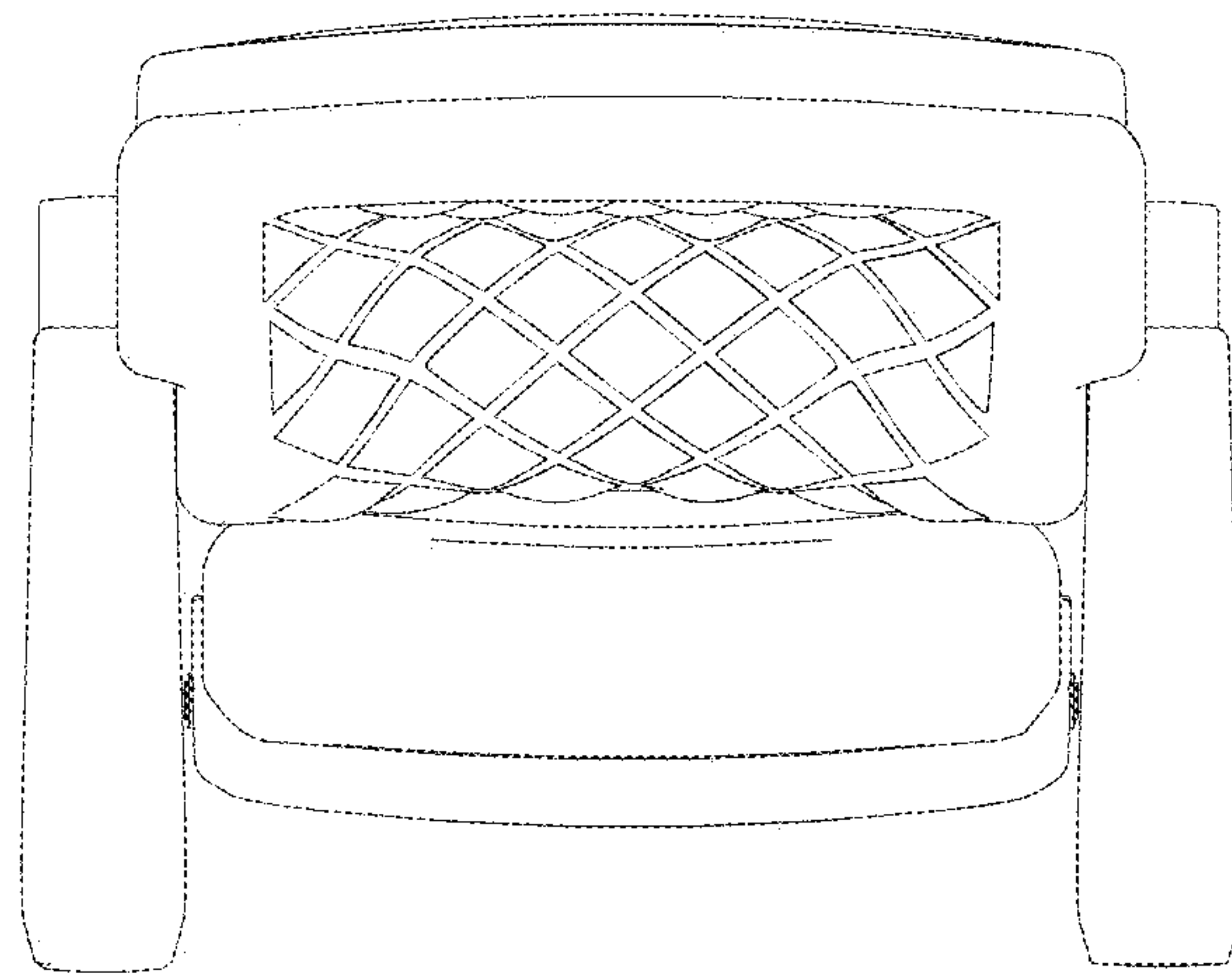


FIG. 5

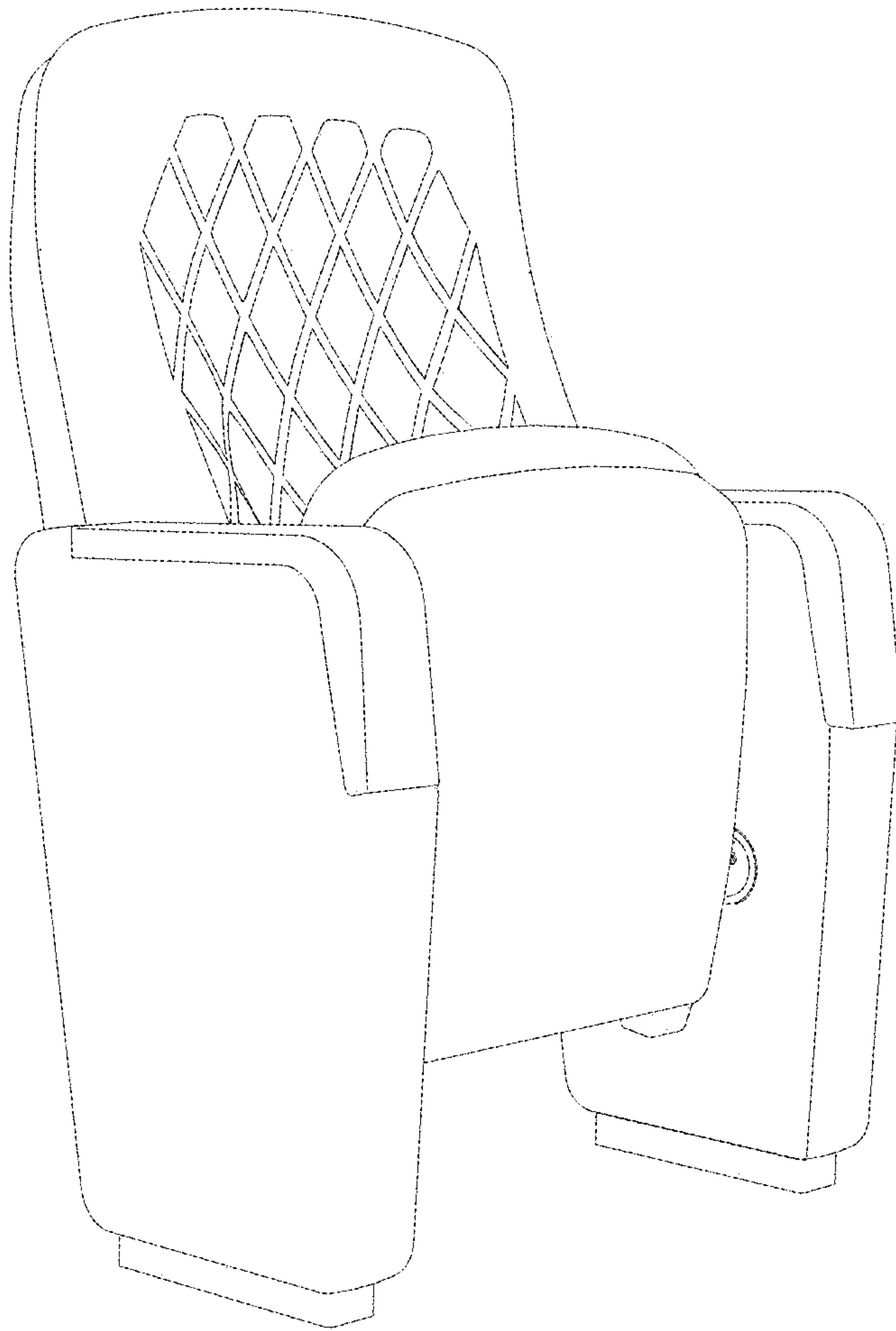


FIG. 6

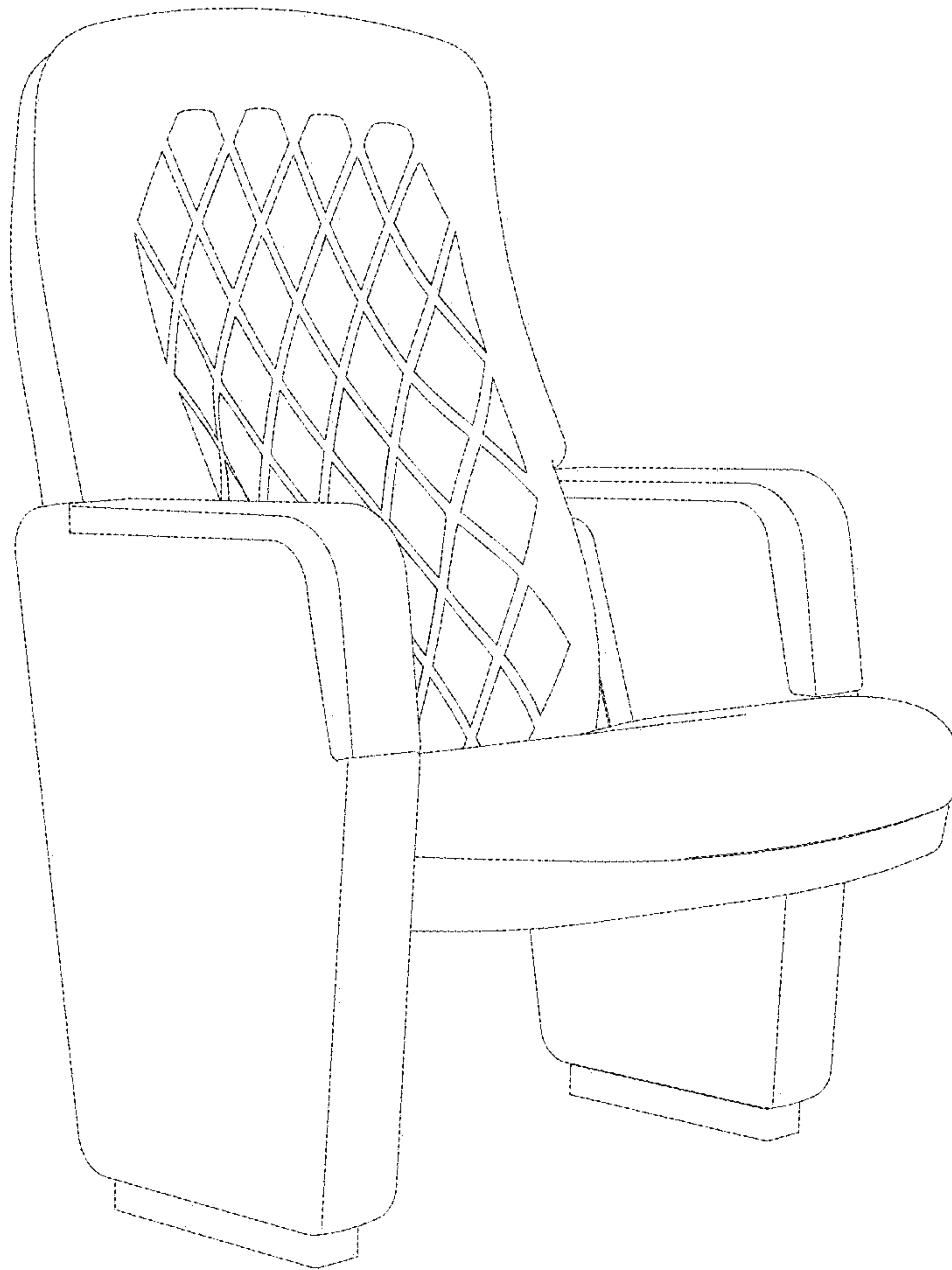


FIG. 7

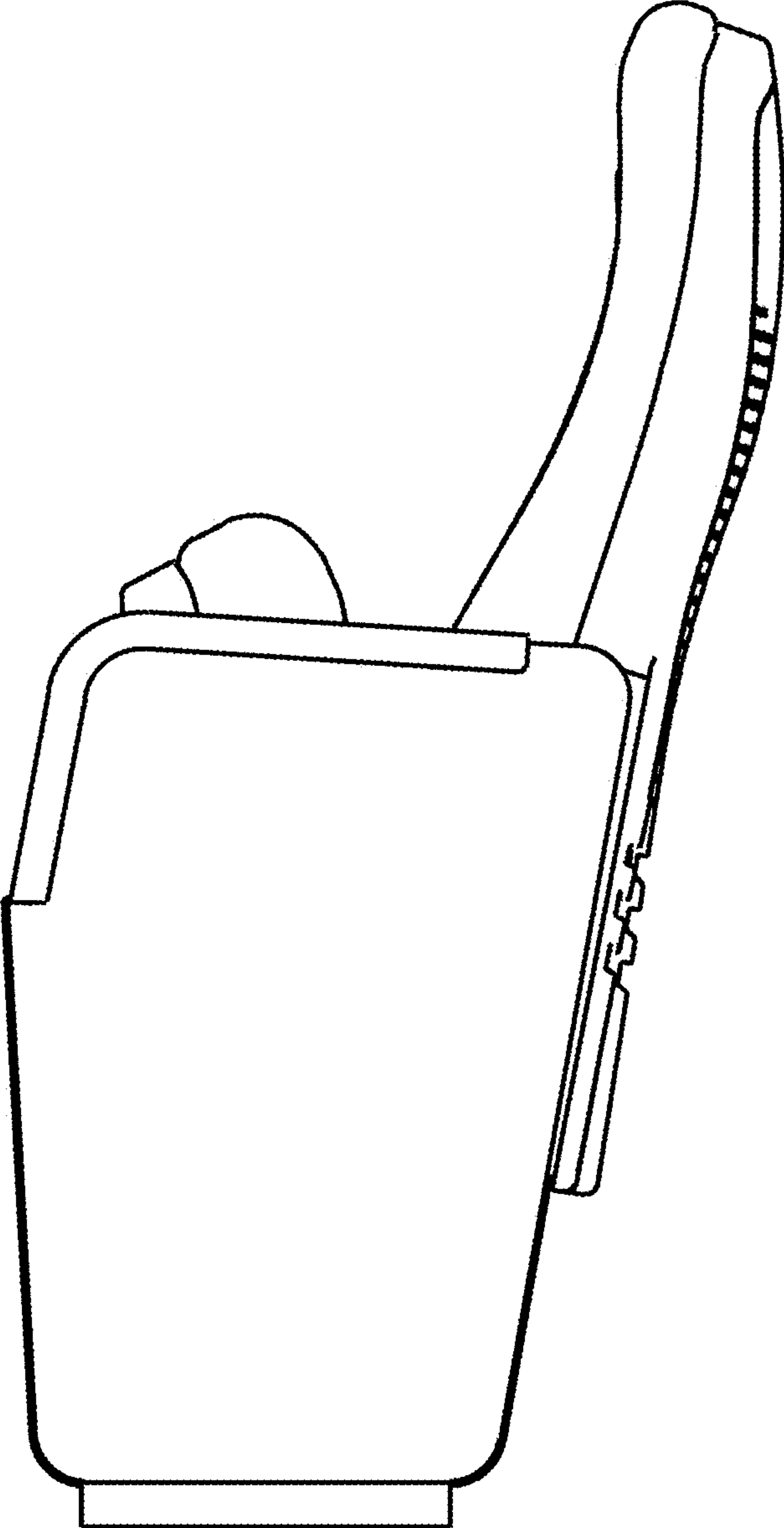


FIG. 8

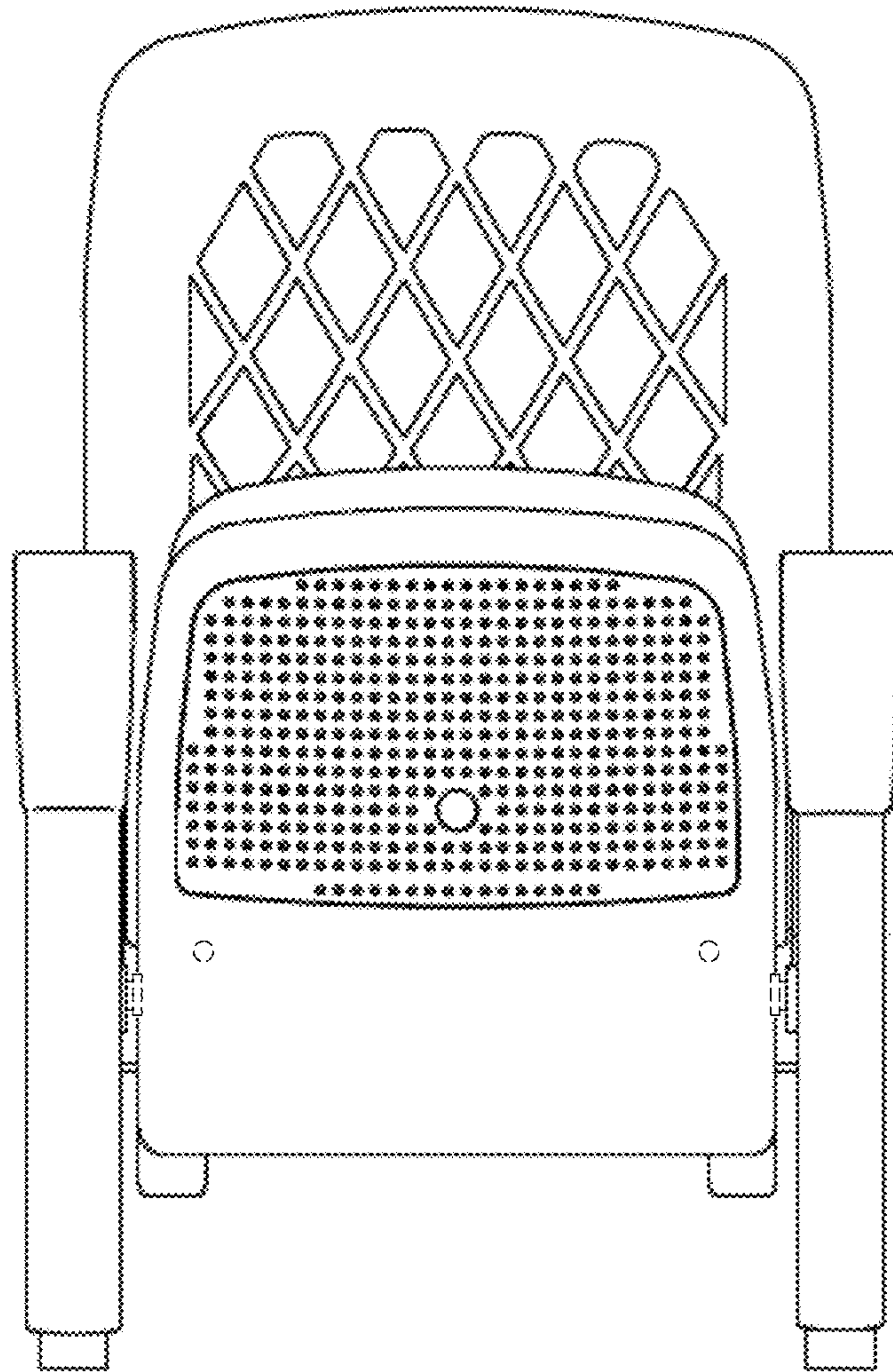


FIG. 9

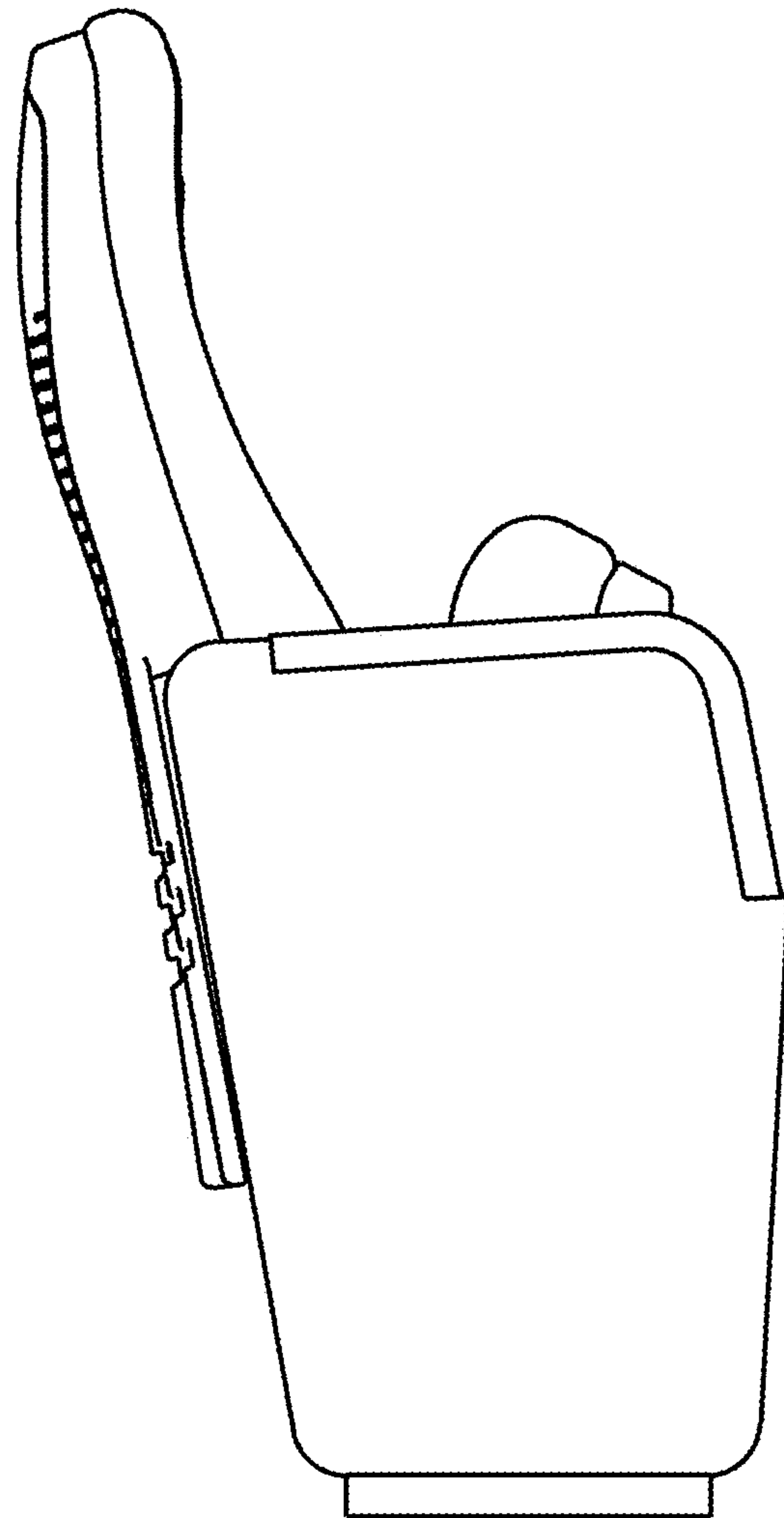


FIG. 10

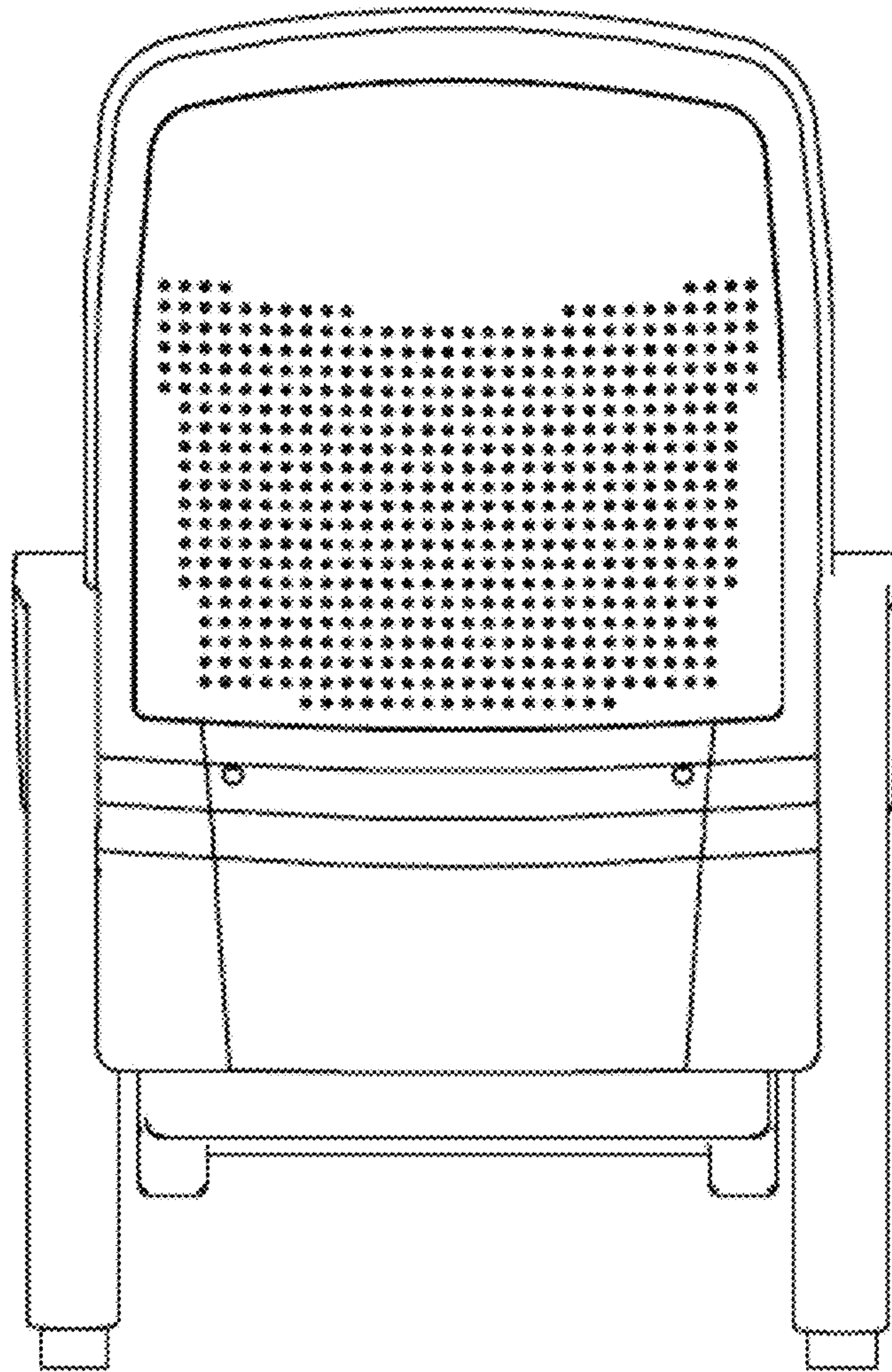


FIG. 11

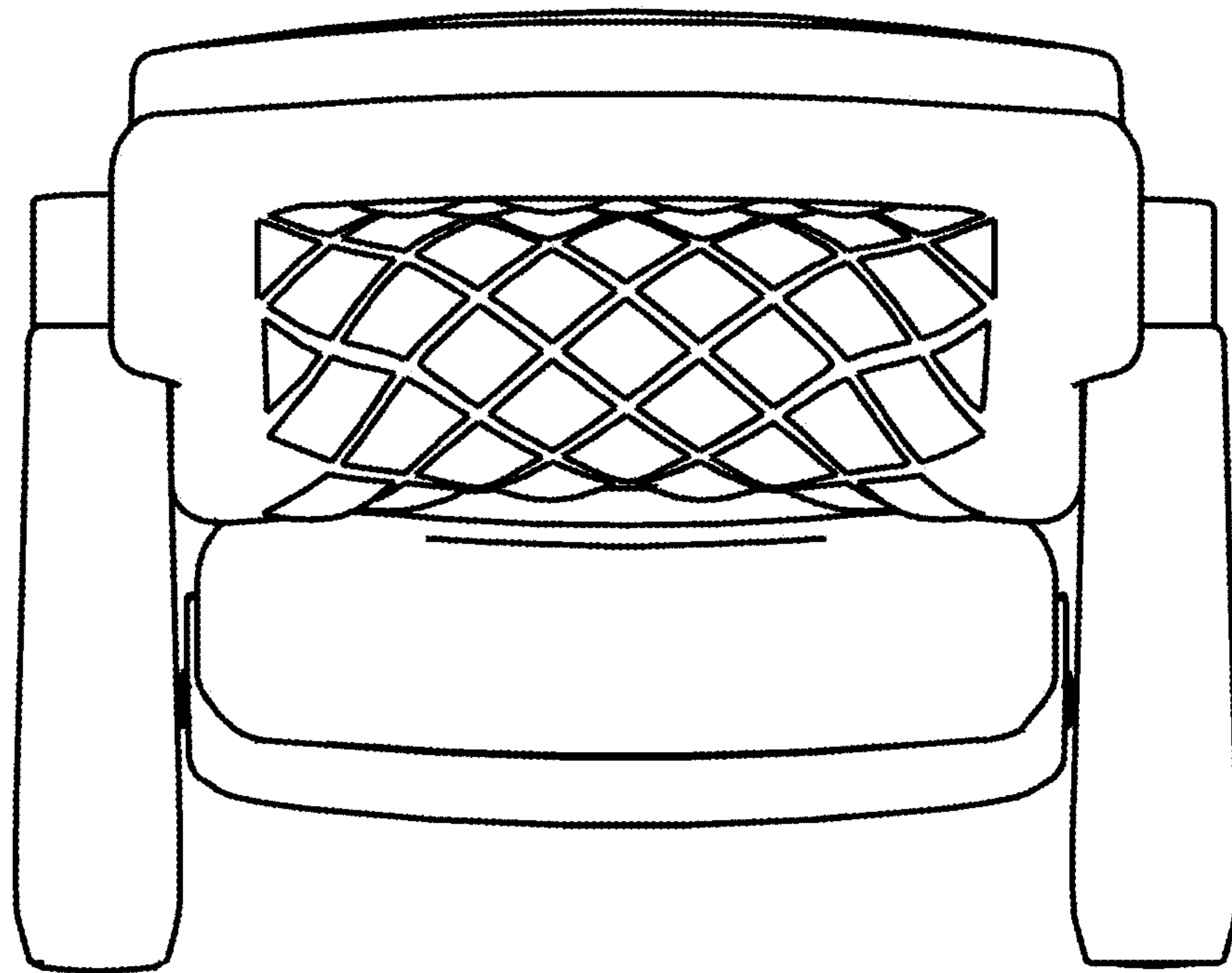


FIG. 12

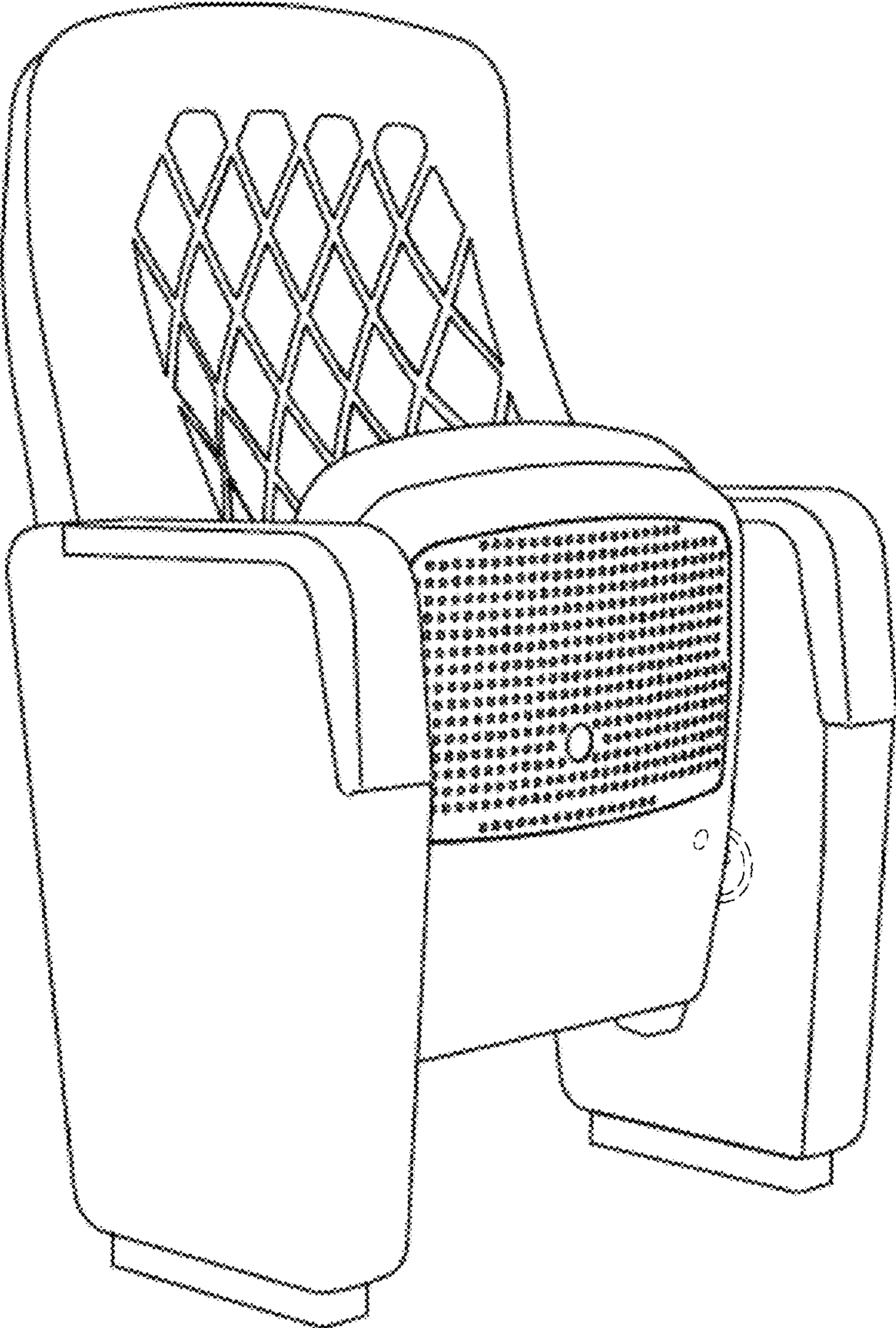


FIG. 13

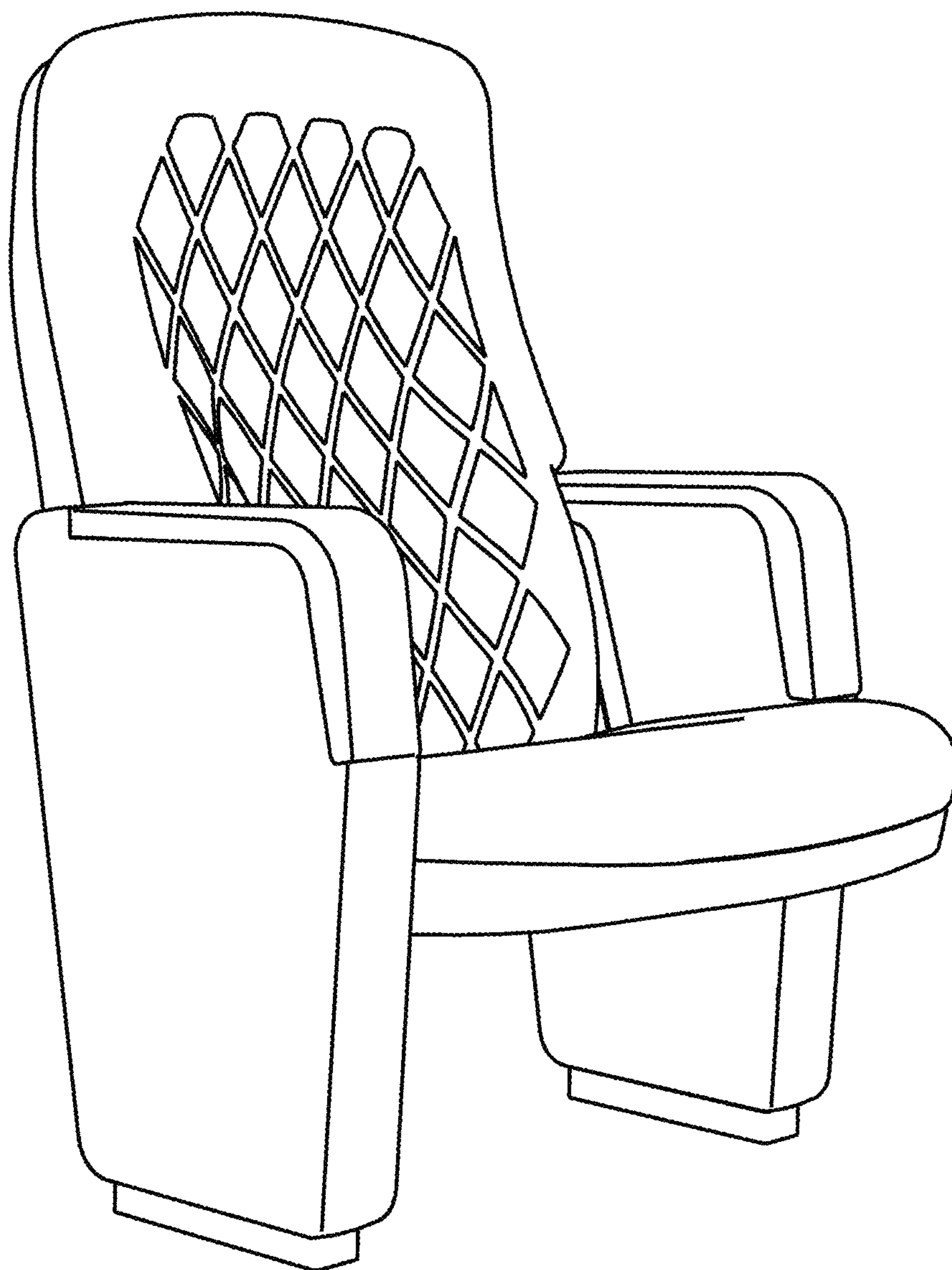


FIG. 14

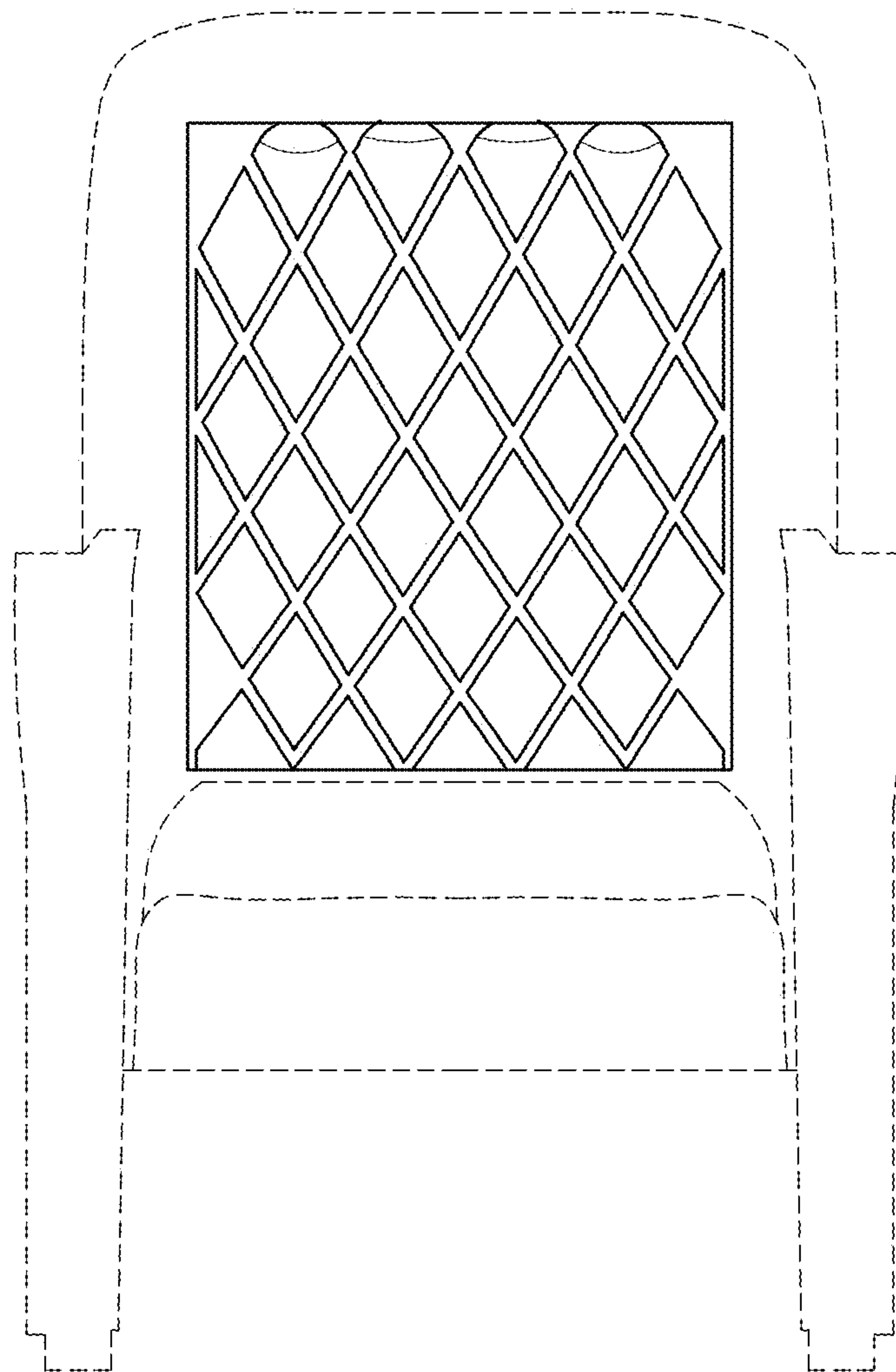


FIG. 15

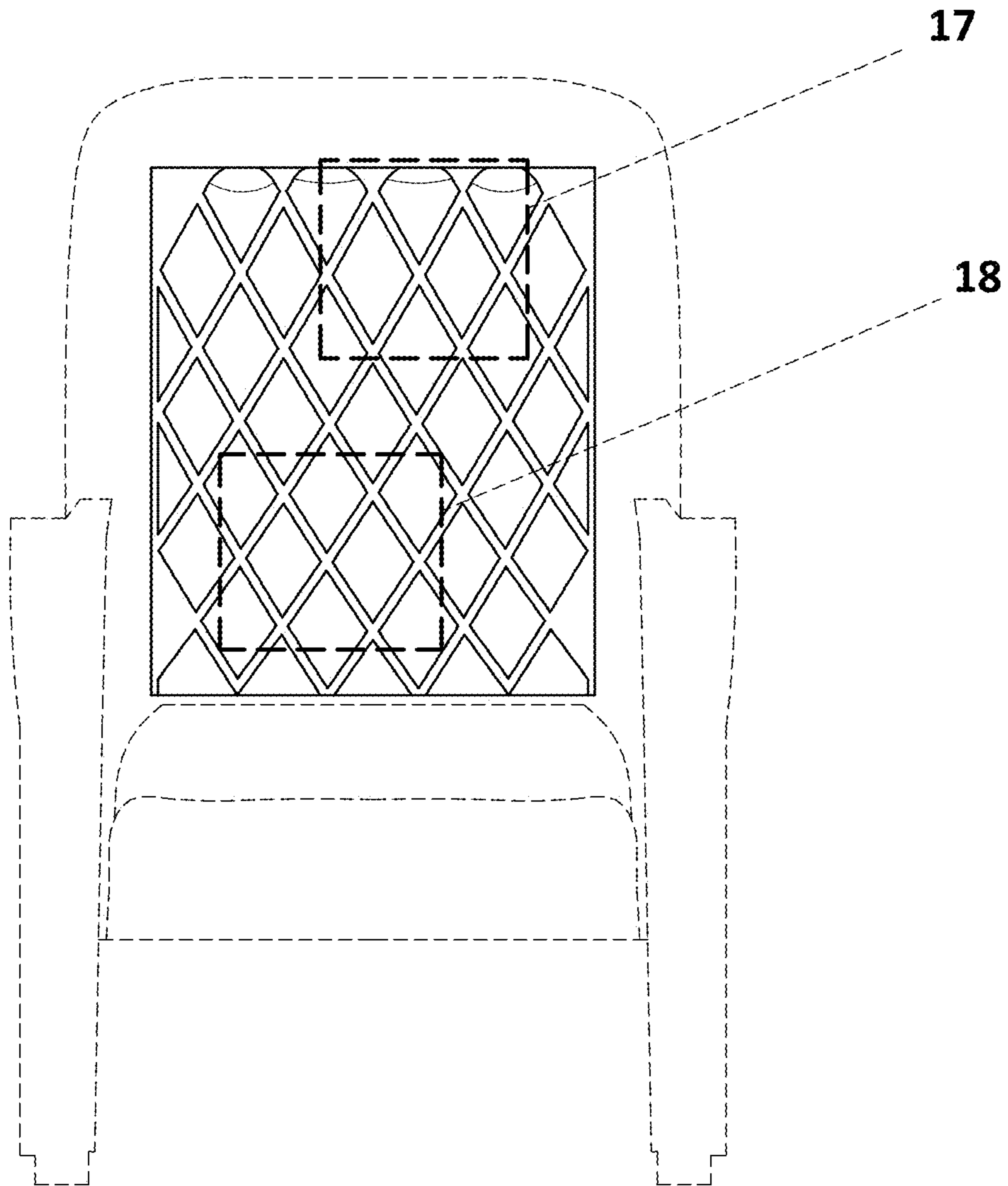


FIG. 16

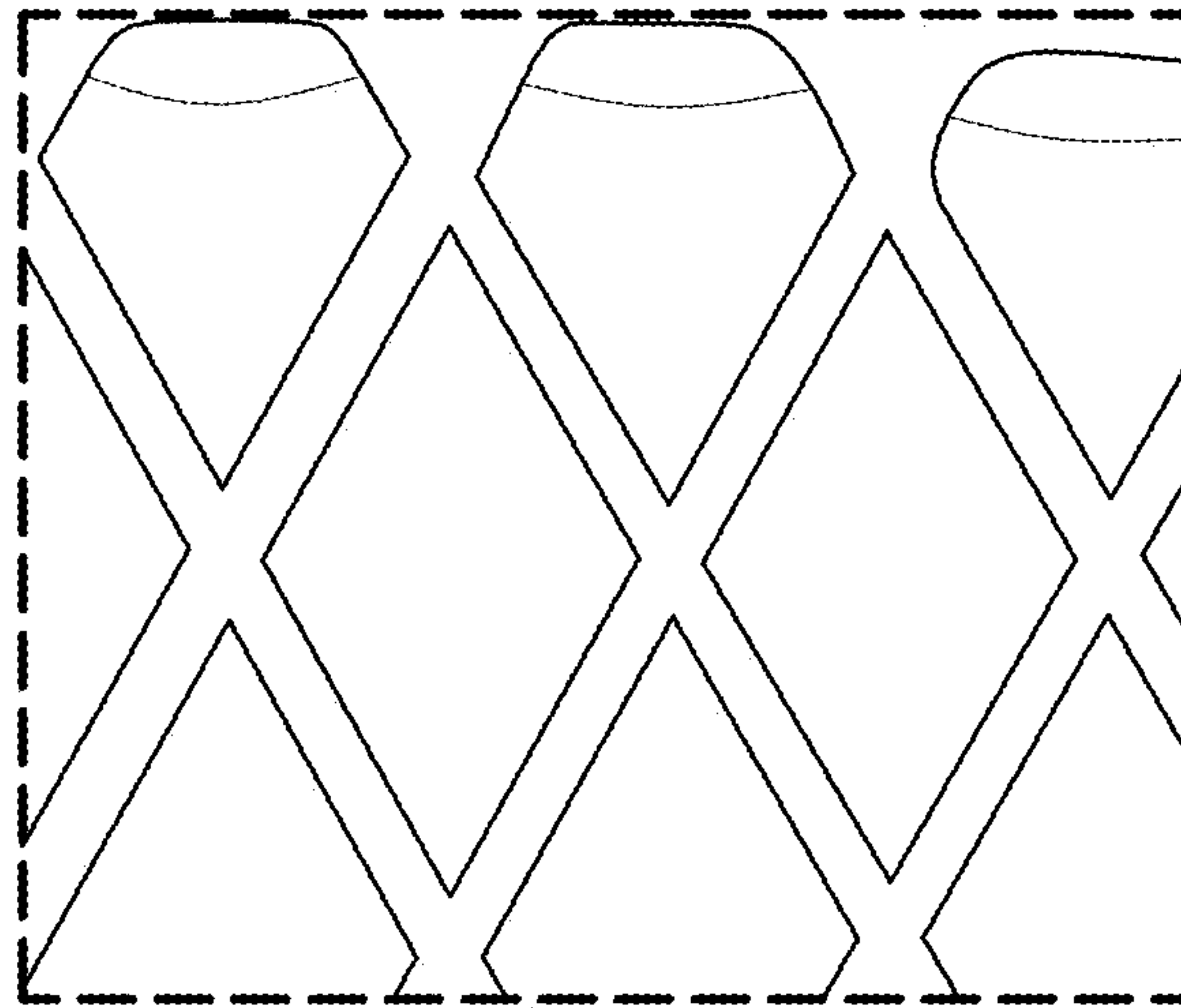


FIG. 17

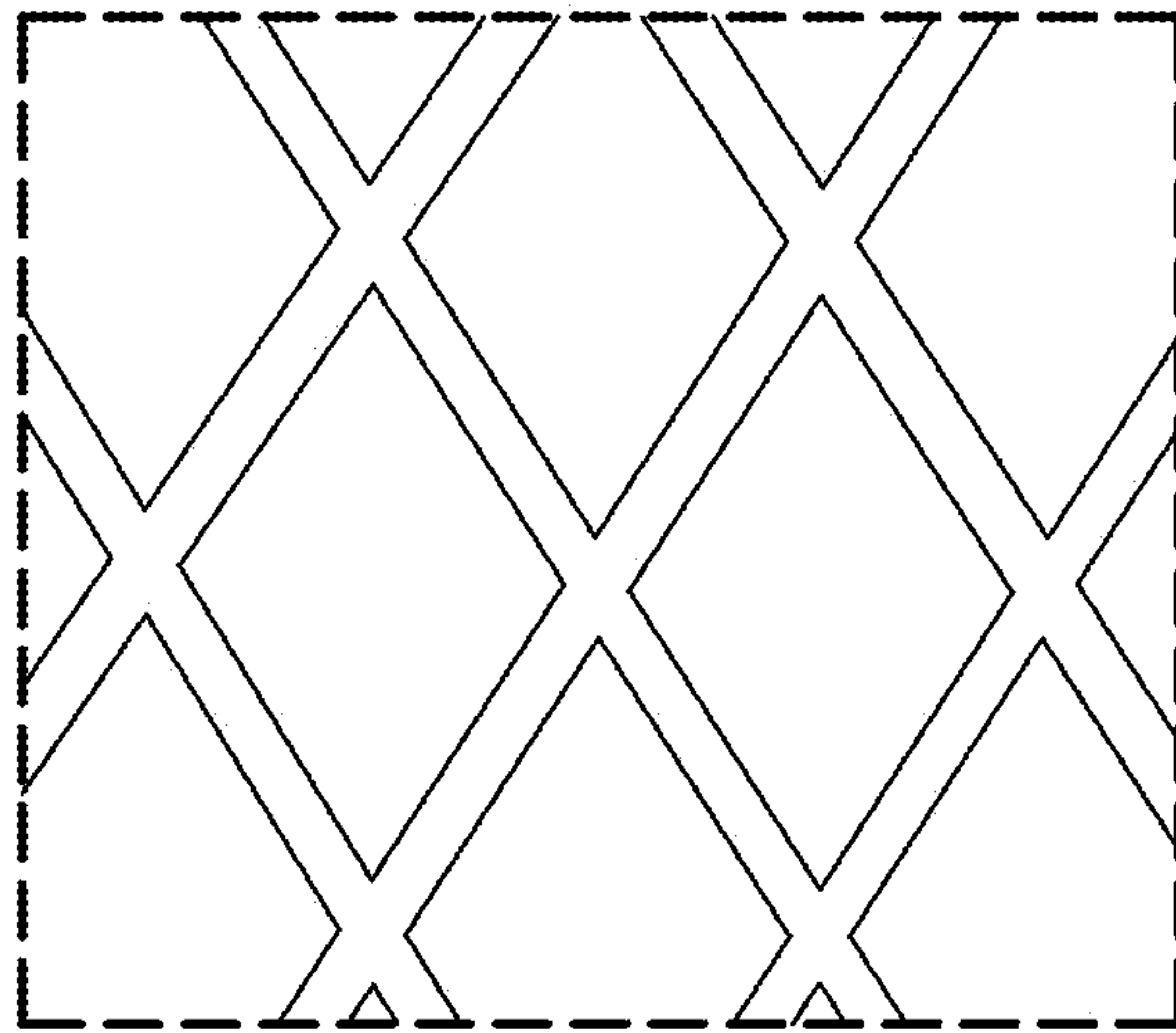


FIG. 18