



US00D872490S

(12) **United States Design Patent**
Chuang

(10) **Patent No.:** **US D872,490 S**
(45) **Date of Patent:** **** Jan. 14, 2020**

- (54) **CHAIR**
- (71) Applicant: **Lung-Fei Chuang**, Taichung (TW)
- (72) Inventor: **Lung-Fei Chuang**, Taichung (TW)
- (**) Term: **15 Years**
- (21) Appl. No.: **29/635,885**
- (22) Filed: **Feb. 5, 2018**
- (30) **Foreign Application Priority Data**
Dec. 15, 2017 (TW) 106307392
- (51) **LOC (12) Cl.** **06-01**
- (52) **U.S. Cl.**
USPC **D6/356**
- (58) **Field of Classification Search**
USPC D6/338, 344, 348, 356, 375; D21/688
CPC A47C 7/029; A61G 5/1043; A61G 5/1091;
A61H 1/00; A61H 1/005; A61H 23/02;
A61H 2201/1633; A61H 2203/0425;
A63B 21/00196; B29D 99/0092; B60N
2/62; B60N 2/646
See application file for complete search history.

- (56) **References Cited**
U.S. PATENT DOCUMENTS
D94,004 S * 12/1934 Sweet D6/338
D245,132 S * 7/1977 Gale, Jr. D6/348
4,253,203 A * 3/1981 Thomas A47K 3/122
4/559
5,317,773 A * 6/1994 Graebe A47C 4/54
5/653
D365,610 S * 12/1995 Fraser D21/688
D476,384 S * 6/2003 Perez D21/687
D526,496 S * 8/2006 Brown D6/356

- 7,891,033 B2 * 2/2011 Loewenthal A61G 5/1043
297/452.21
- D648,145 S * 11/2011 Chuang D6/344
- D698,401 S * 1/2014 Ho D21/688
- D698,876 S * 2/2014 Ho D21/688
- 9,332,850 B2 * 5/2016 Krishtul A47C 7/029
- D811,143 S * 2/2018 Chavarria D6/709.2
- 10,343,569 B2 * 7/2019 Kumagai B60N 2/62
- 2001/0013146 A1 * 8/2001 Wempe A47C 27/086
5/654
- 2013/0060282 A1 * 3/2013 Pham A47C 7/029
606/242
- 2019/0183712 A1 * 6/2019 Chuang A61H 1/005

FOREIGN PATENT DOCUMENTS

- DE 102006024751 B3 * 12/2007 A63B 69/04
* cited by examiner

Primary Examiner — Kevin K Rudzinski
Assistant Examiner — Paul D Bohannon
(74) *Attorney, Agent, or Firm* — CKC & Partners Co.,
LLC

- (57) **CLAIM**
The ornamental design for a chair, as shown and described.

DESCRIPTION

FIG. 1 is a perspective view of a chair showing my new design;
FIG. 2 is a front view thereof;
FIG. 3 is a back view thereof;
FIG. 4 is a left side view thereof;
FIG. 5 is a right side view thereof;
FIG. 6 is a top view thereof; and,
FIG. 7 is a bottom view thereof.

1 Claim, 4 Drawing Sheets





Fig. 1

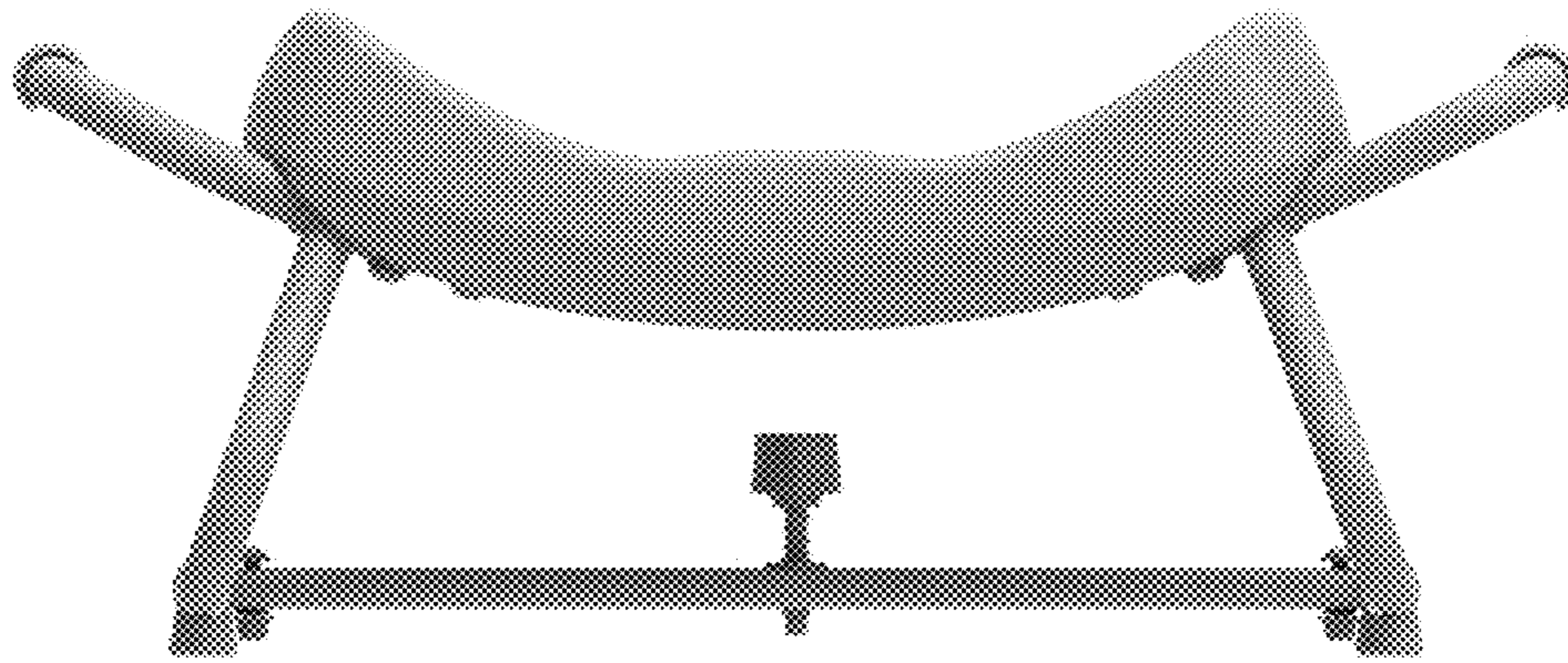


Fig. 2

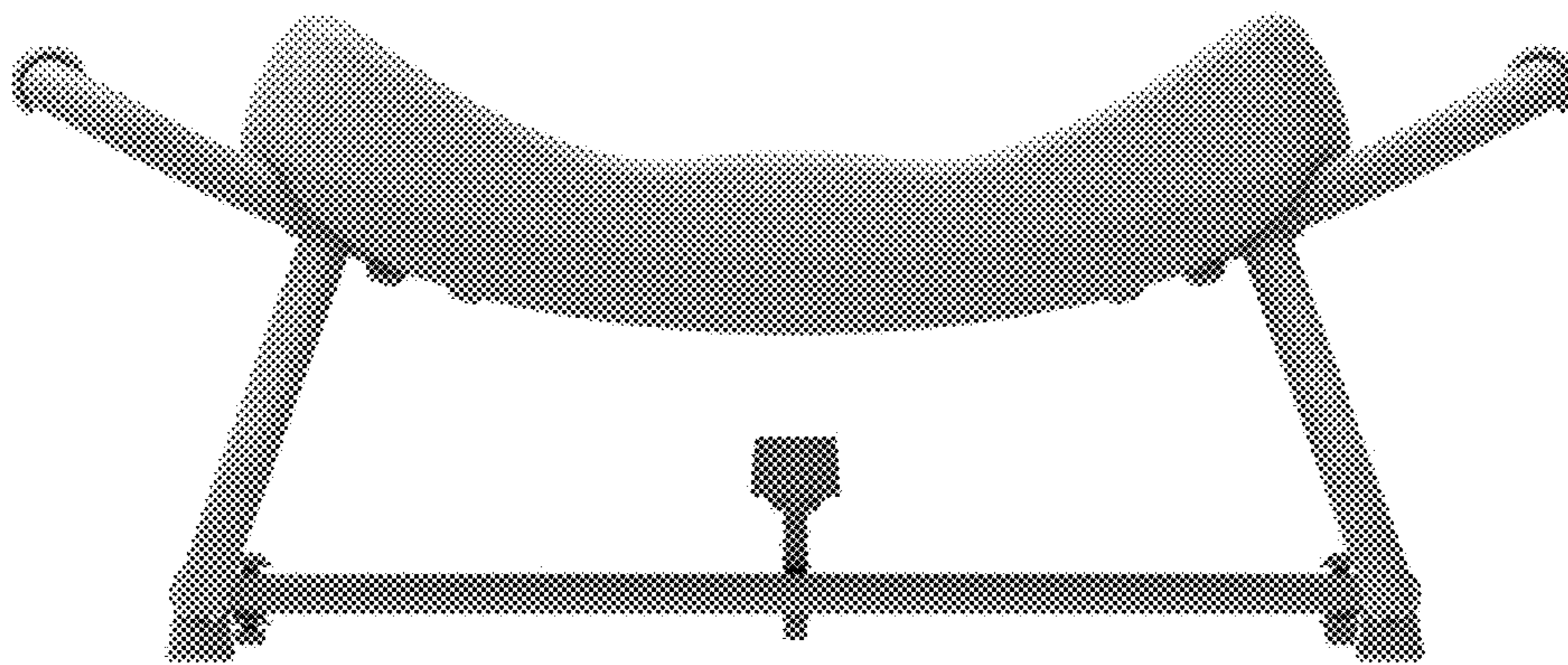


Fig. 3

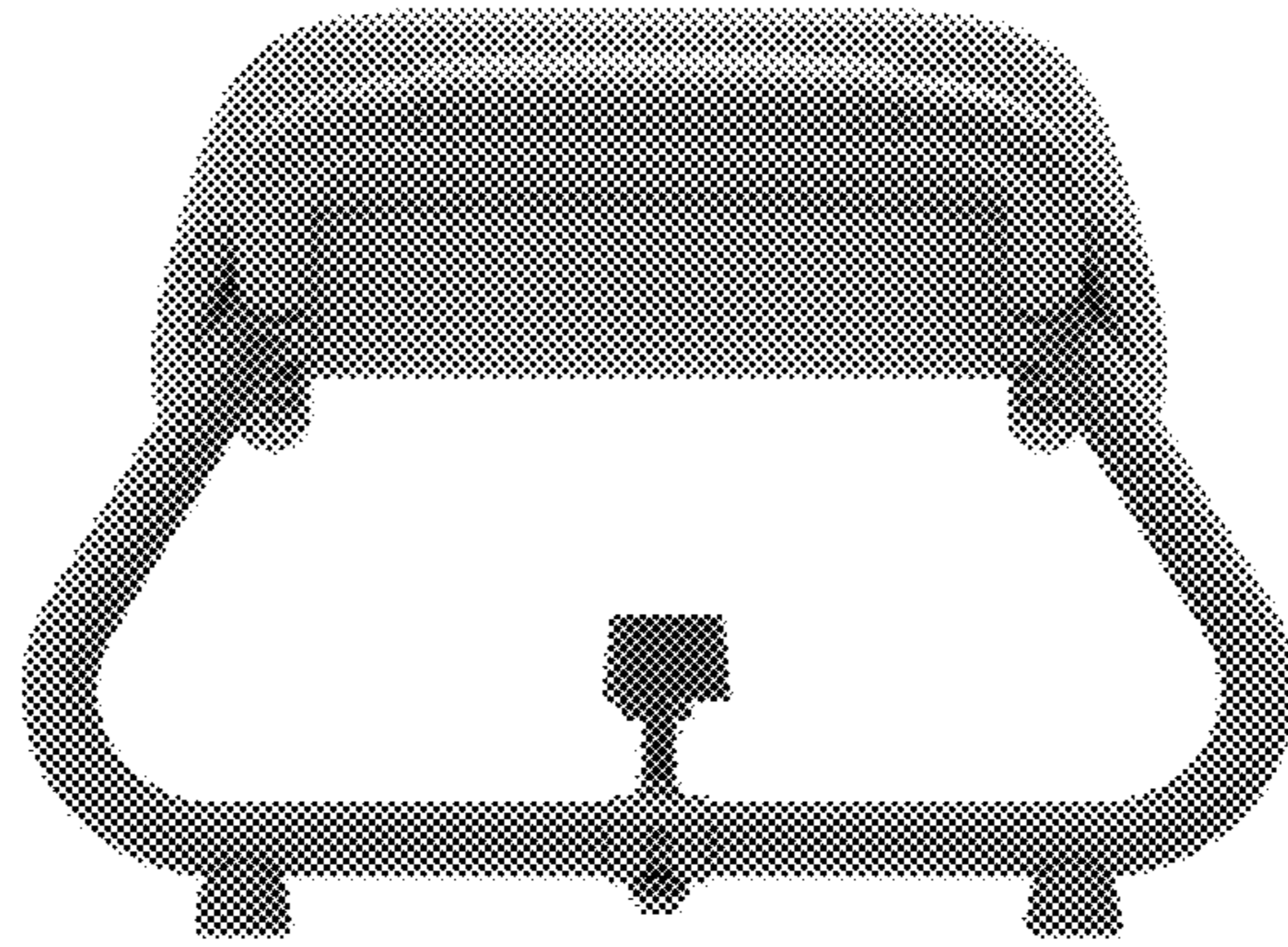


Fig. 4

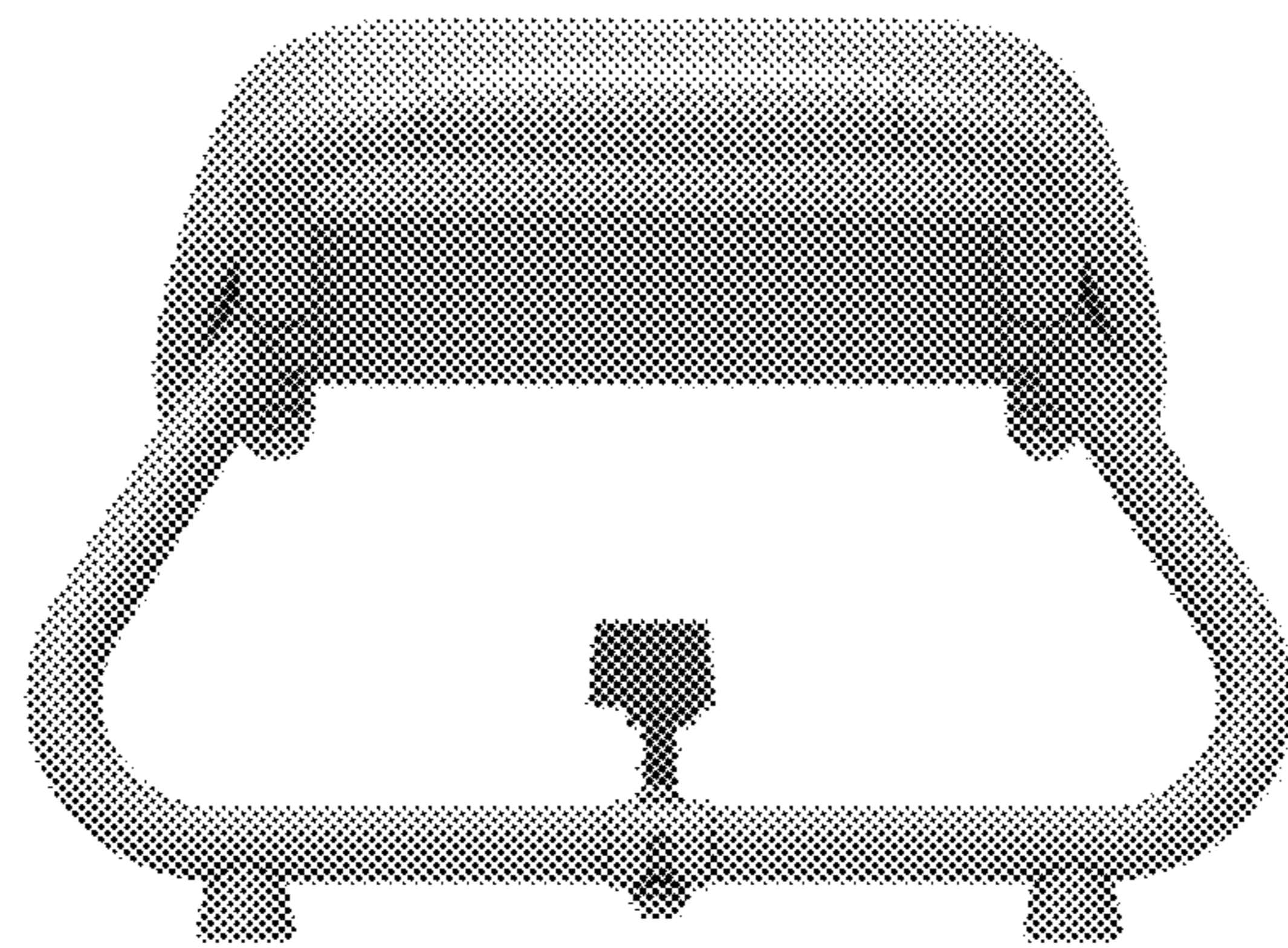


Fig. 5

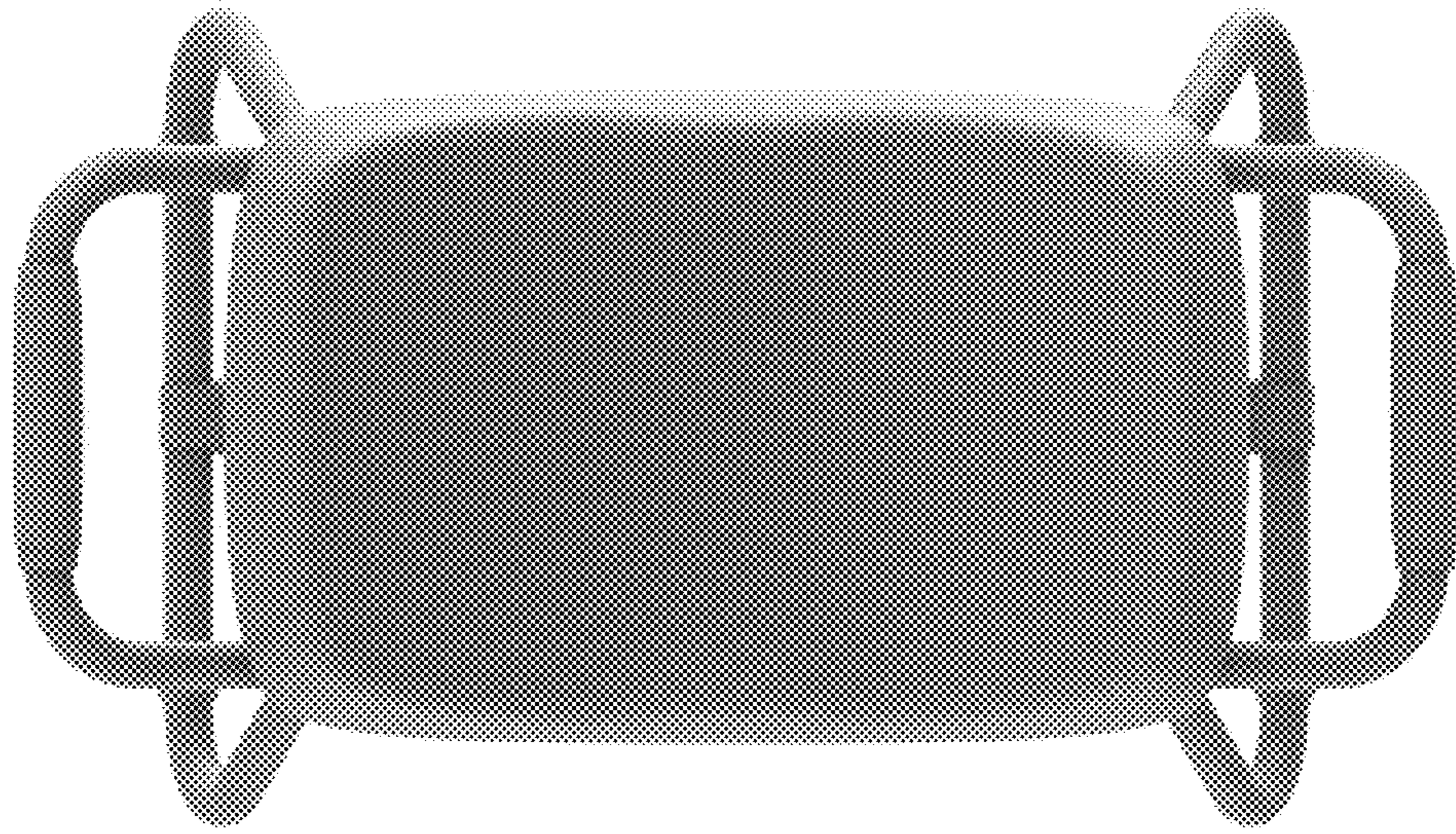


Fig. 6

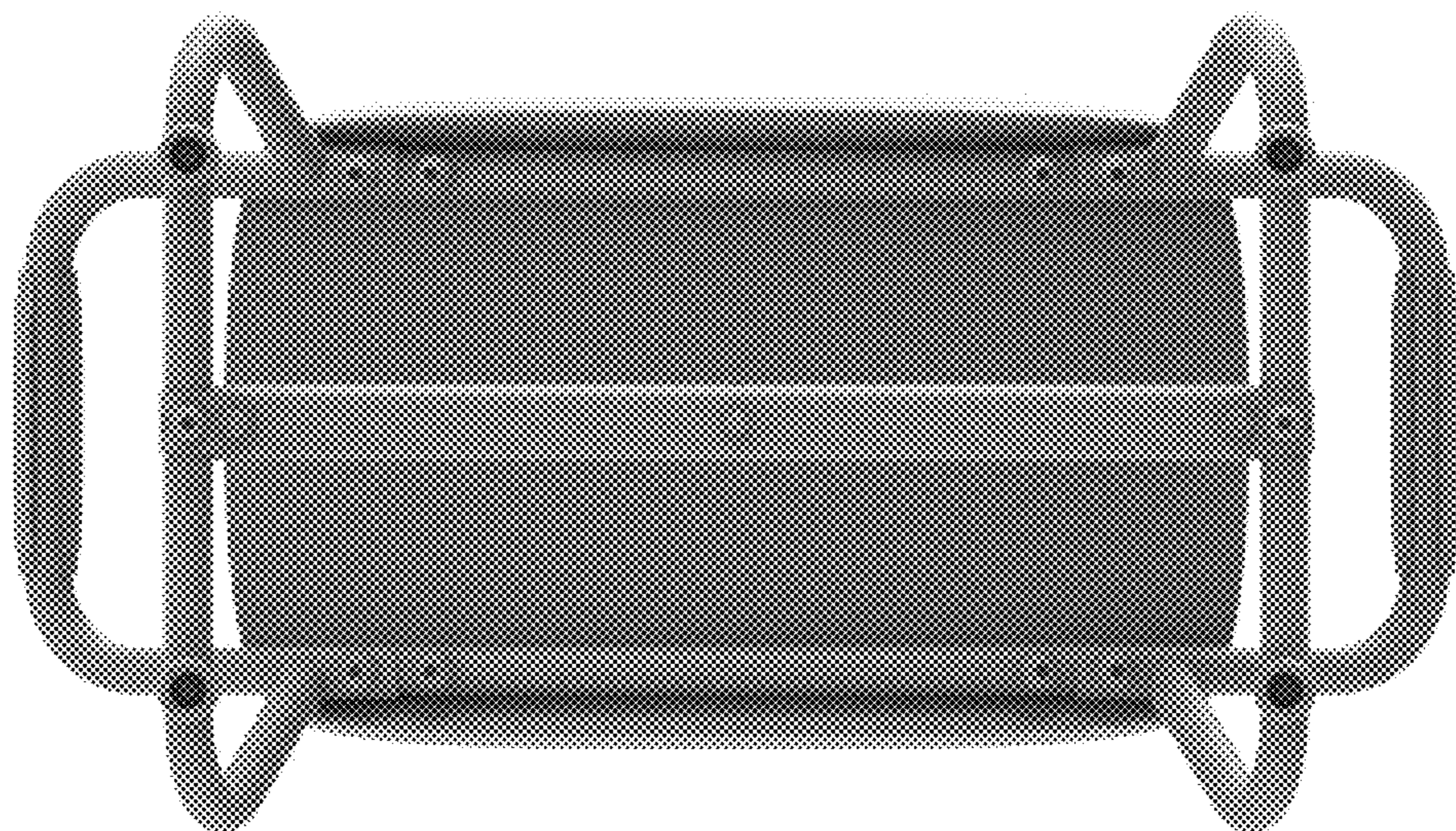


Fig. 7