



US00D872489S

(12) **United States Design Patent**
Ruiter et al.

(10) **Patent No.:** **US D872,489 S**
(45) **Date of Patent:** **** Jan. 14, 2020**

- (54) **WORKSPACE DIVIDER**
- (71) Applicant: **HERMAN MILLER, INC.**, Zeeland, MI (US)
- (72) Inventors: **Joel Ruiter**, Ada, MI (US); **Joshua DeWys**, Marne, MI (US)
- (73) Assignee: **HERMAN MILLER, INC.**, Zeeland, MI (US)
- (**) Term: **15 Years**
- (21) Appl. No.: **29/648,719**
- (22) Filed: **May 23, 2018**
- (51) **LOC (12) Cl.** **06-06**
- (52) **U.S. Cl.**
USPC **D6/332**
- (58) **Field of Classification Search**
USPC D6/332, 641-643, 655, 655.11, 653.16, D6/653.23, 656.16, 656.19, 699, 714, D6/672, 680.1, 680.2; D20/10, 99, 39; D14/126; D25/58, 38.1; 52/220.7, 239, 52/238.1, 243, 36.1; 160/351, 377, 113, 160/115, 129, 135
CPC .. G09F 15/00; G09F 15/0056; G09F 15/0018; G09F 15/12; A47B 7/00; A47B 21/00; A47B 21/02; A47B 2009/006; A47B 11/00; A47B 2200/0052; A47B 2200/0053; A47B 2200/0054; A47B 2200/0055; A47B 2200/12; A47B 2200/0071; A47B 2200/0058; A47B 2200/027
See application file for complete search history.

- D383,497 S * 9/1997 Robertson D20/10
- D485,686 S * 1/2004 Stein D6/300
- D553,874 S * 10/2007 Orlando D6/657
- D613,080 S * 4/2010 Tsuchiyama D6/332
- D662,329 S * 6/2012 Arko D6/332
- D808,668 S * 1/2018 Tsuchiyama D6/332
- D824,708 S * 8/2018 Yamamoto D6/714
- D825,941 S * 8/2018 Chopra G06F 3/0481
D6/332
- D848,751 S * 5/2019 Figueira D6/332
- D858,118 S * 9/2019 Acers D6/332

* cited by examiner

Primary Examiner — Abraham Bahta

(74) *Attorney, Agent, or Firm* — Michael Best & Friedrich LLP

(57) **CLAIM**

We claim the ornamental design for a workspace divider, as shown and described.

DESCRIPTION

FIG. 1 is a perspective view of a workspace divider showing our new design;
 FIG. 2 is a first side view thereof;
 FIG. 3 is a second side view thereof;
 FIG. 4 is a first end view thereof;
 FIG. 5 is a second end view thereof;
 FIG. 6 is a top view thereof; and,
 FIG. 7 is a bottom view thereof.

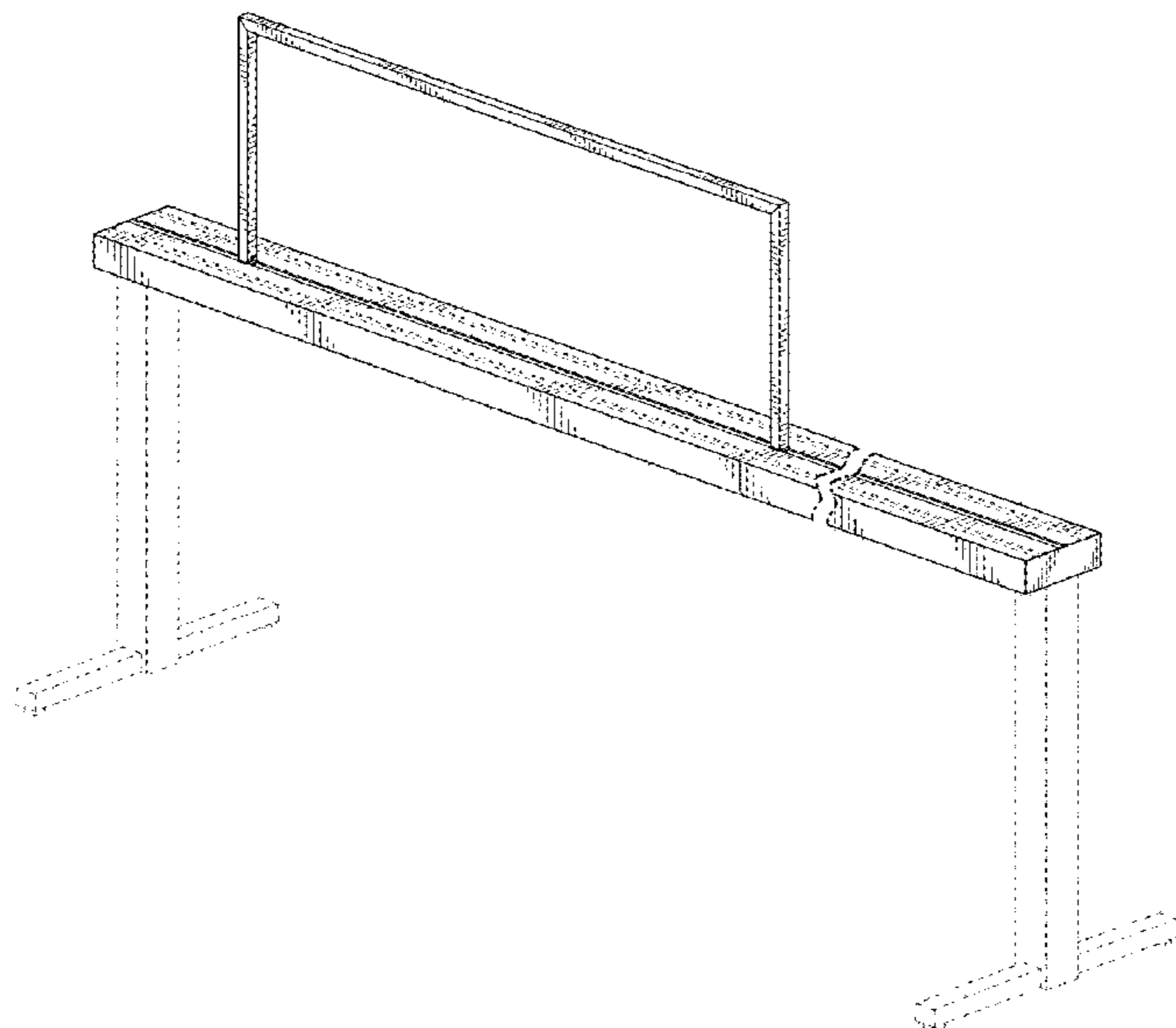
The broken line showing of portions of the workspace divider is included for the purpose of illustrating environmental structure and forms no part of the claimed design. The breakaway shown by dash-dot-dash indicates the workstation has no specific length.

1 Claim, 5 Drawing Sheets

(56) **References Cited**

U.S. PATENT DOCUMENTS

- D299,985 S * 2/1989 Helstab D6/332
- D312,177 S * 11/1990 Walter D6/332



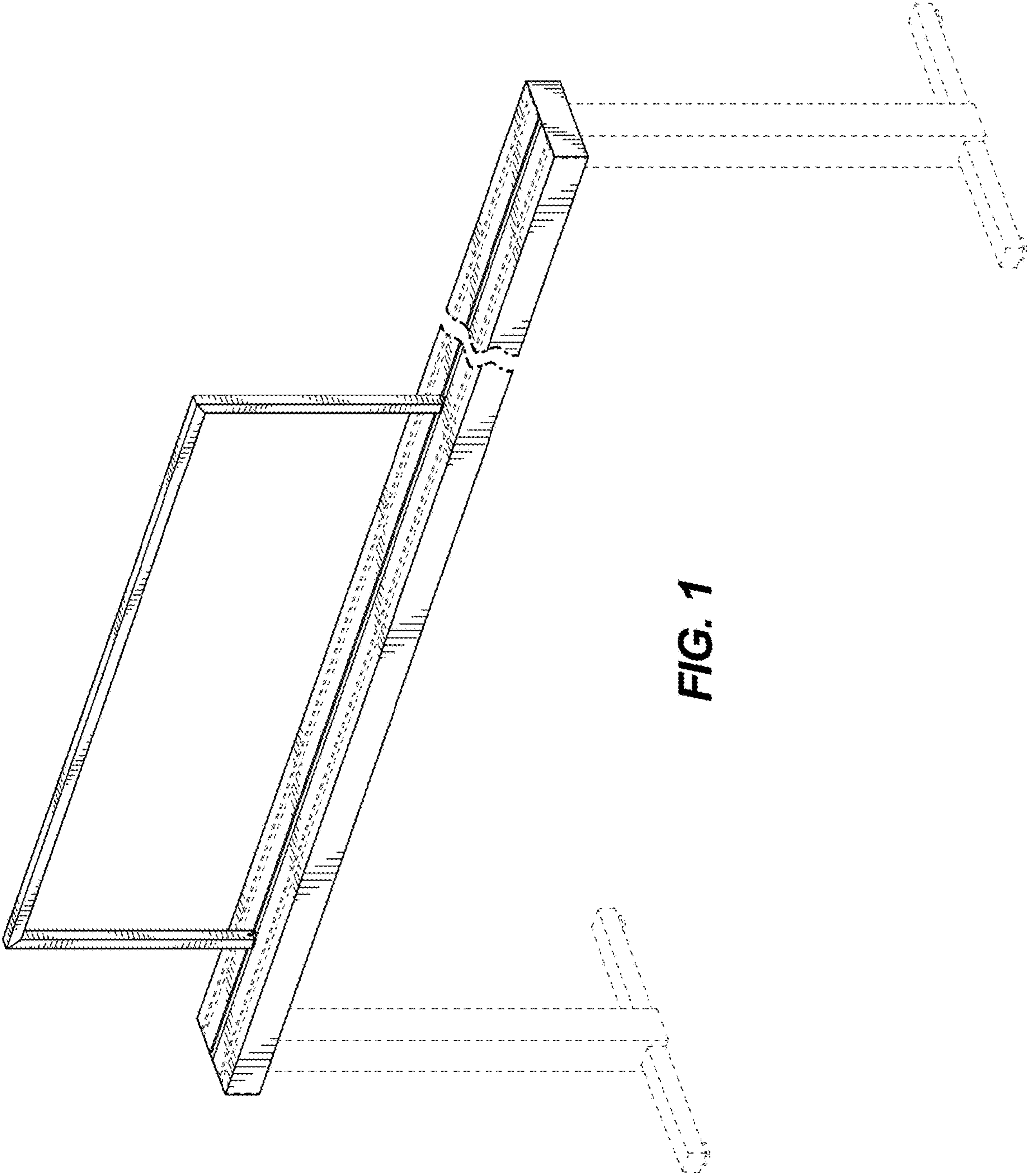


FIG. 1

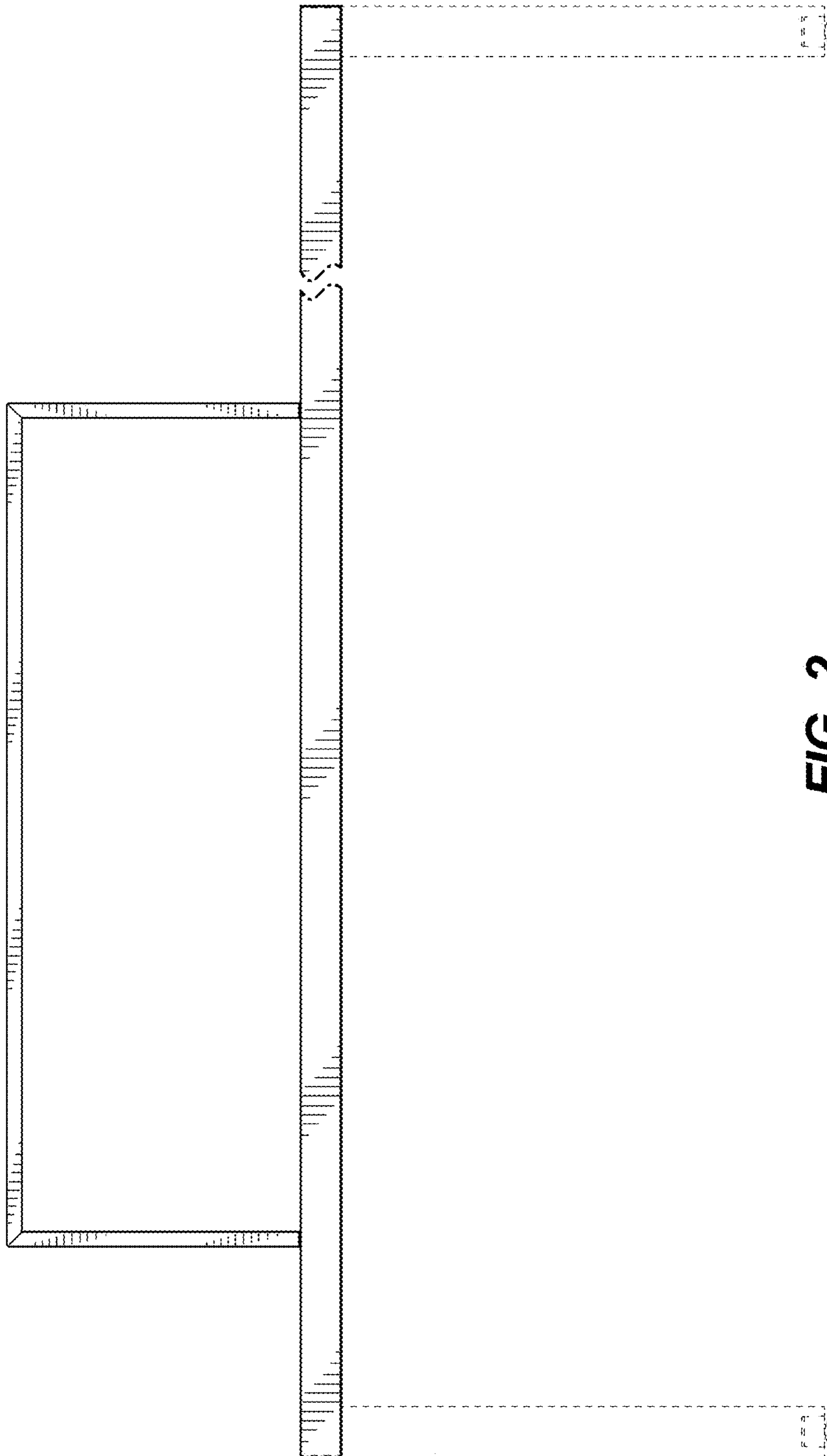


FIG. 2

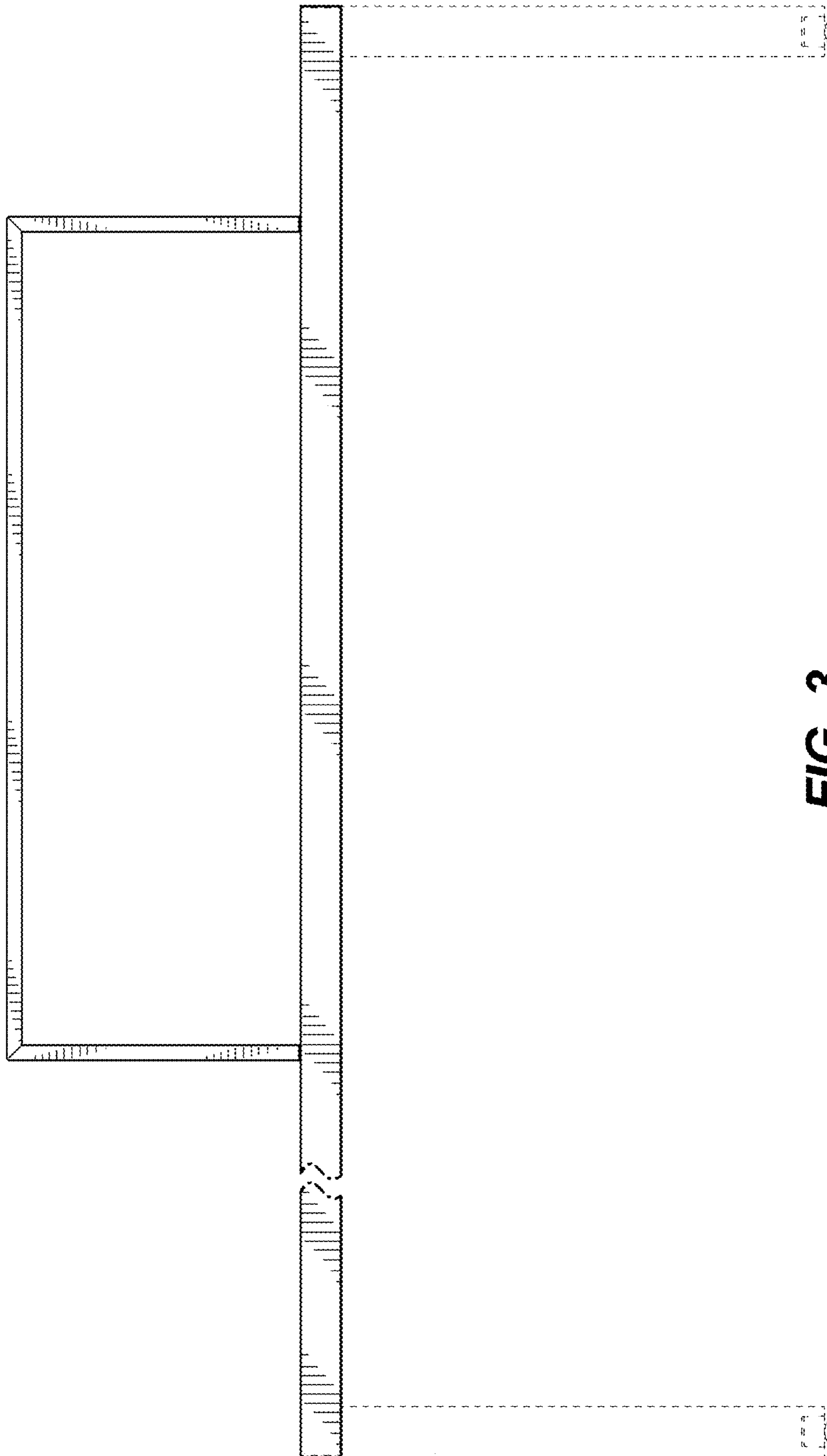


FIG. 3

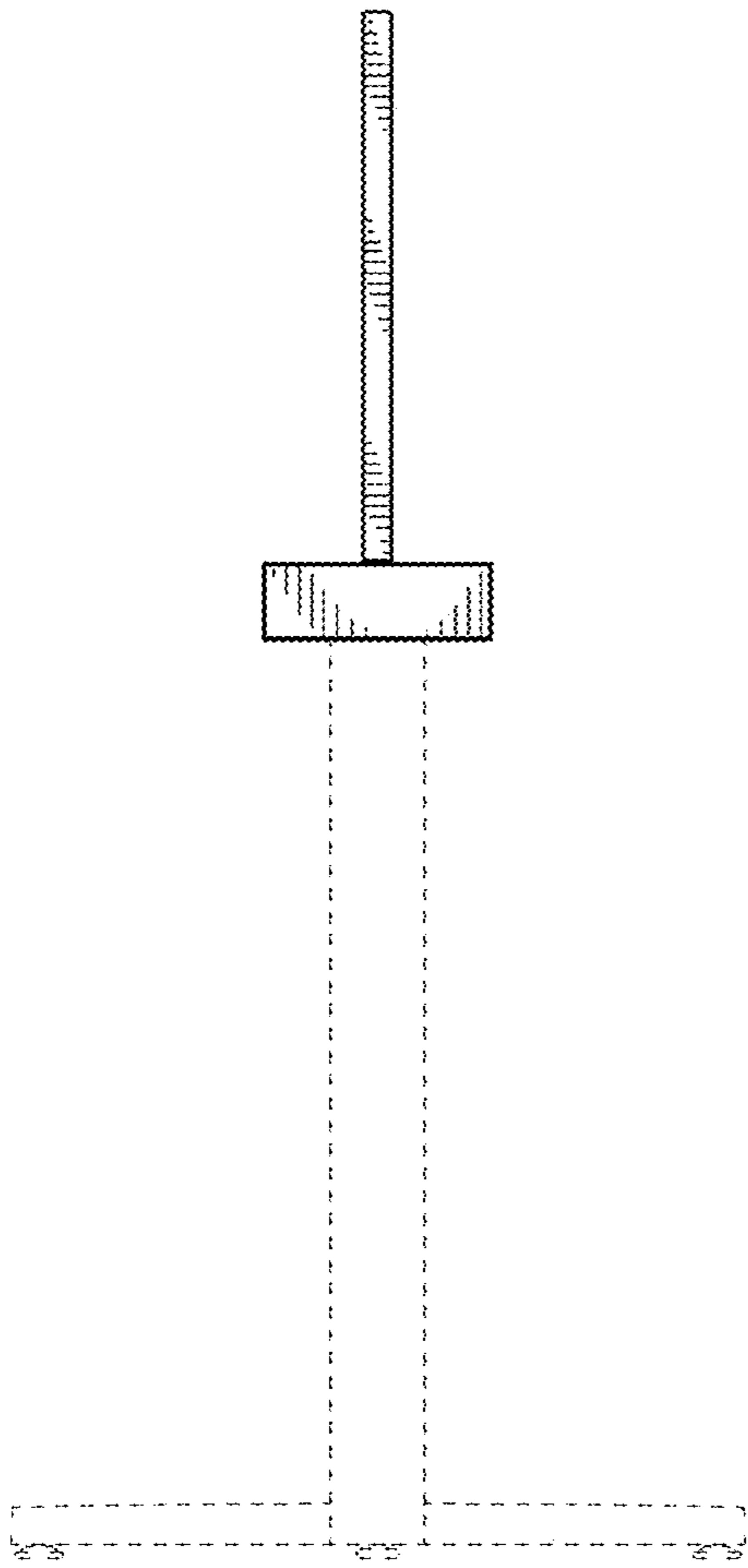


FIG. 4

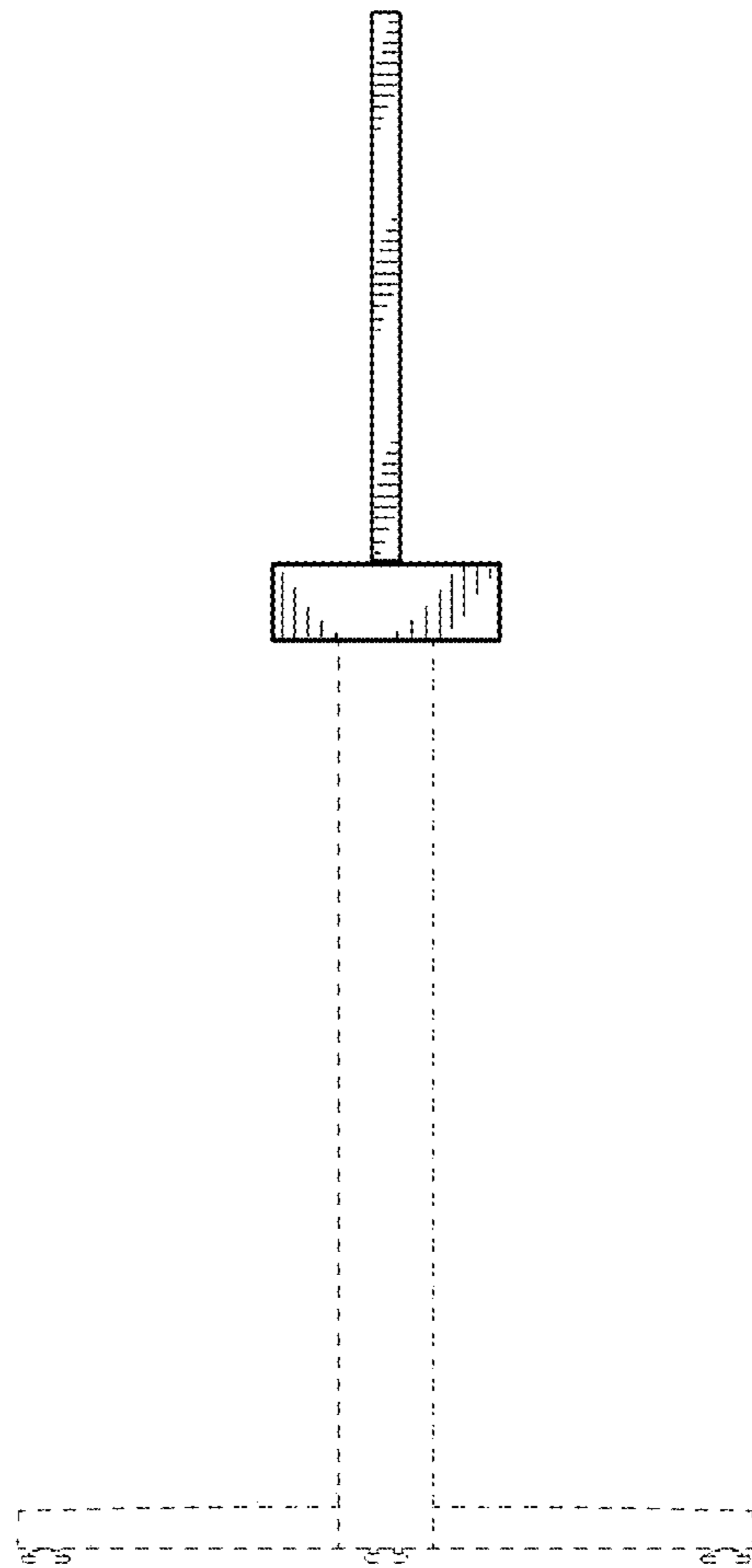


FIG. 5

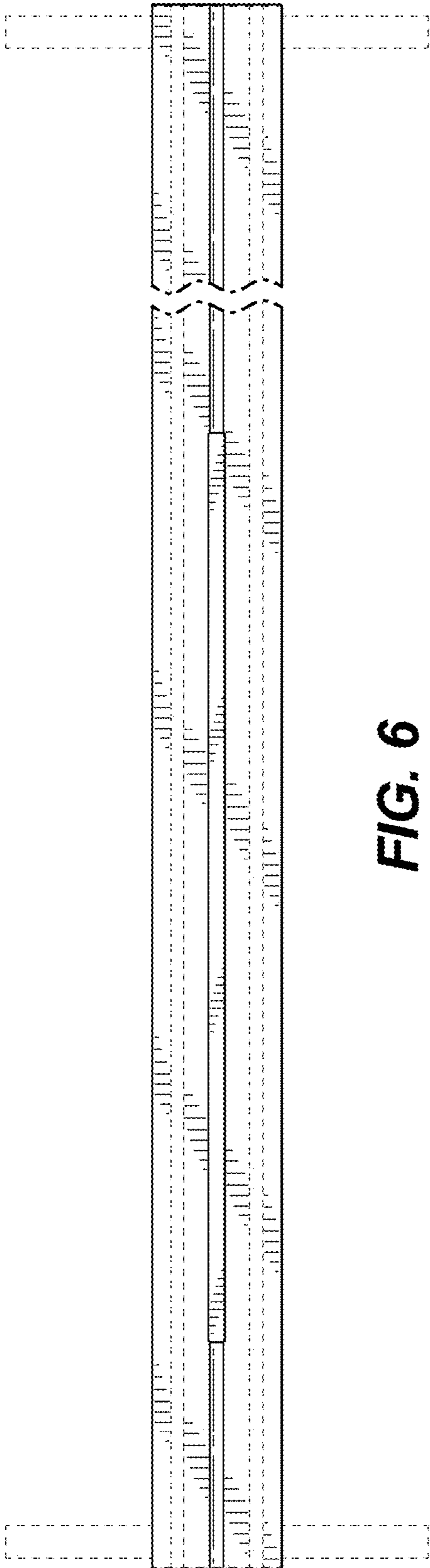


FIG. 6

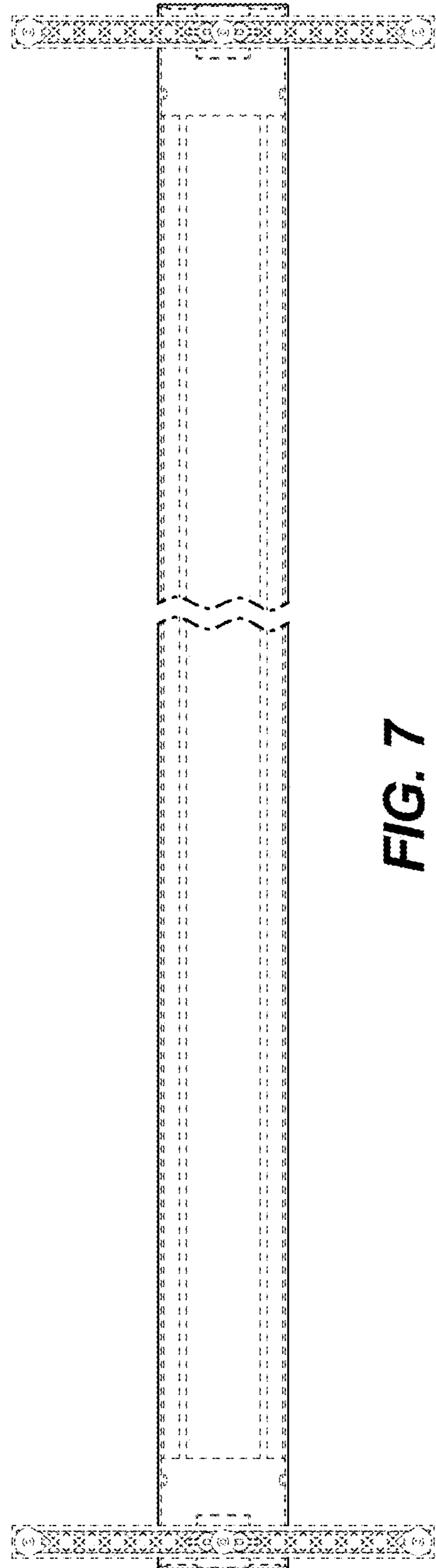


FIG. 7