



US00D872486S

(12) **United States Design Patent**  
**Katsuma**

(10) **Patent No.:** **US D872,486 S**  
(45) **Date of Patent:** **\*\* Jan. 14, 2020**

(54) **PAINT EDGER**

(71) Applicant: **LINZER PRODUCTS CORP.**, West  
Babylon, NY (US)

(72) Inventor: **Takashi Katsuma**, Port Washington,  
NY (US)

(73) Assignee: **LINZER PRODUCTS CORP.**, West  
Babylon, NY (US)

(\*\*) Term: **15 Years**

(21) Appl. No.: **29/655,448**

(22) Filed: **Jul. 3, 2018**

**Related U.S. Application Data**

(62) Division of application No. 29/573,131, filed on Aug.  
3, 2016, now Pat. No. Des. 825,194.

(51) **LOC (12) Cl.** ..... **04-04**

(52) **U.S. Cl.**  
USPC ..... **D4/137**

(58) **Field of Classification Search**

USPC .... D4/116, 121, 129, 137, 138, 199; D8/90,  
D8/94; D32/17, 40, 41, 48, 50, 52  
CPC .... A45D 40/28; A46B 5/0075; A46B 5/0083;  
A46B 5/0087; A46B 5/0091; A46B  
5/0095; B05C 17/00; B05C 17/00589;  
B05C 17/0205; B05C 1/00

See application file for complete search history.

(56) **References Cited**

**U.S. PATENT DOCUMENTS**

3,708,821 A \* 1/1973 Chase ..... B05C 17/00  
15/144.2  
D515,821 S \* 2/2006 Gartner ..... D32/52

D524,551 S \* 7/2006 Gartner ..... D32/52  
D527,240 S \* 8/2006 Kirschhoffer ..... D8/90  
D527,532 S \* 9/2006 Henke ..... D4/138  
7,854,037 B2 \* 12/2010 Lu ..... B05C 17/00  
15/208  
8,032,973 B2 \* 10/2011 Lutgen ..... B05C 17/00  
15/144.2  
D825,194 S \* 8/2018 Katsuma ..... D4/137  
10,040,093 B2 \* 8/2018 Fee ..... B05C 17/00  
2007/0237904 A1 \* 10/2007 Campbell ..... B05C 17/00  
427/428.01  
2017/0165701 A1 \* 6/2017 Constantine ..... B05C 1/00

\* cited by examiner

*Primary Examiner* — Karen S Acker

*Assistant Examiner* — Jasmine Mlinarcik

(74) *Attorney, Agent, or Firm* — Donald J. Ranft; Collen

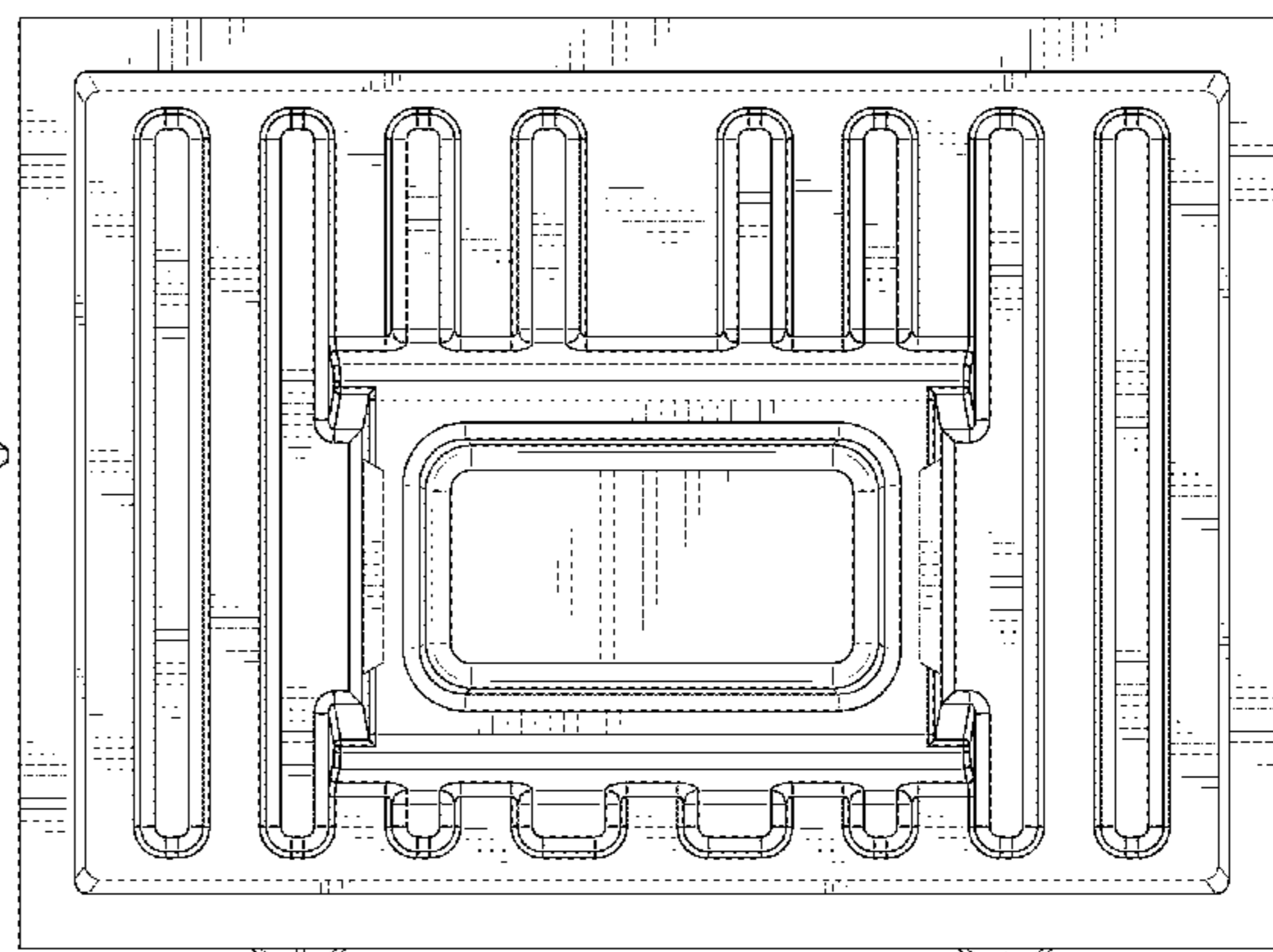
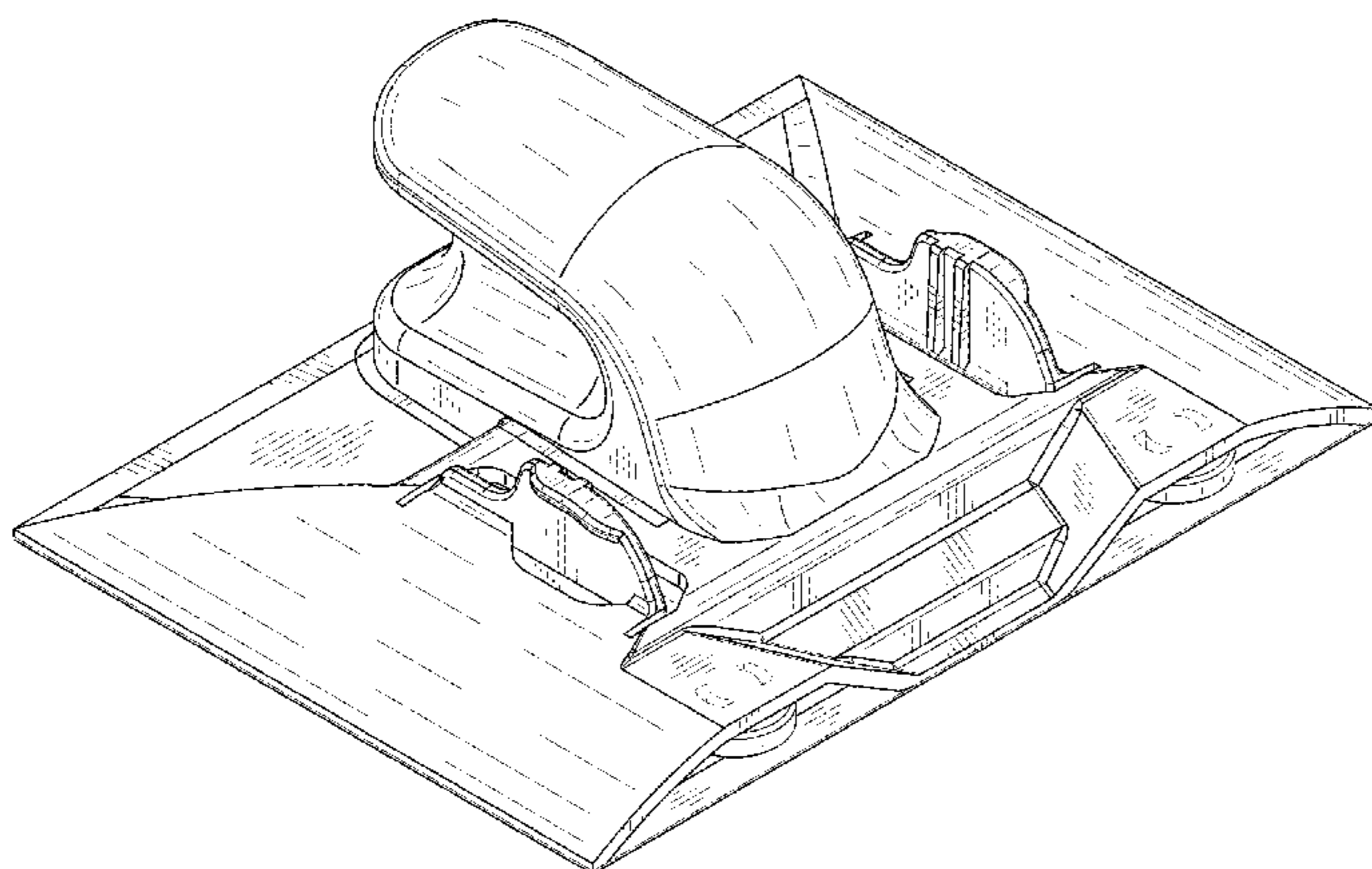
(57) **CLAIM**

The ornamental design for a paint edger, as shown and  
described.

**DESCRIPTION**

FIG. 1 is a front left perspective view of a paint edger  
showing my new design;  
FIG. 2 is a bottom right perspective view thereof;  
FIG. 3 is a rear left perspective view thereof;  
FIG. 4 is a top view thereof;  
FIG. 5 is a bottom view thereof;  
FIG. 6 is a side view, thereof; the other side view being a  
mirror image thereof;  
FIG. 7 is a front view thereof; and,  
FIG. 8 is a rear view thereof.  
The broken lines, the areas formed by broken lines, and the  
unshaded surface areas adjacent to the broken lines depict  
portions of the paint edger that form no part of the claimed  
design.

**1 Claim, 8 Drawing Sheets**



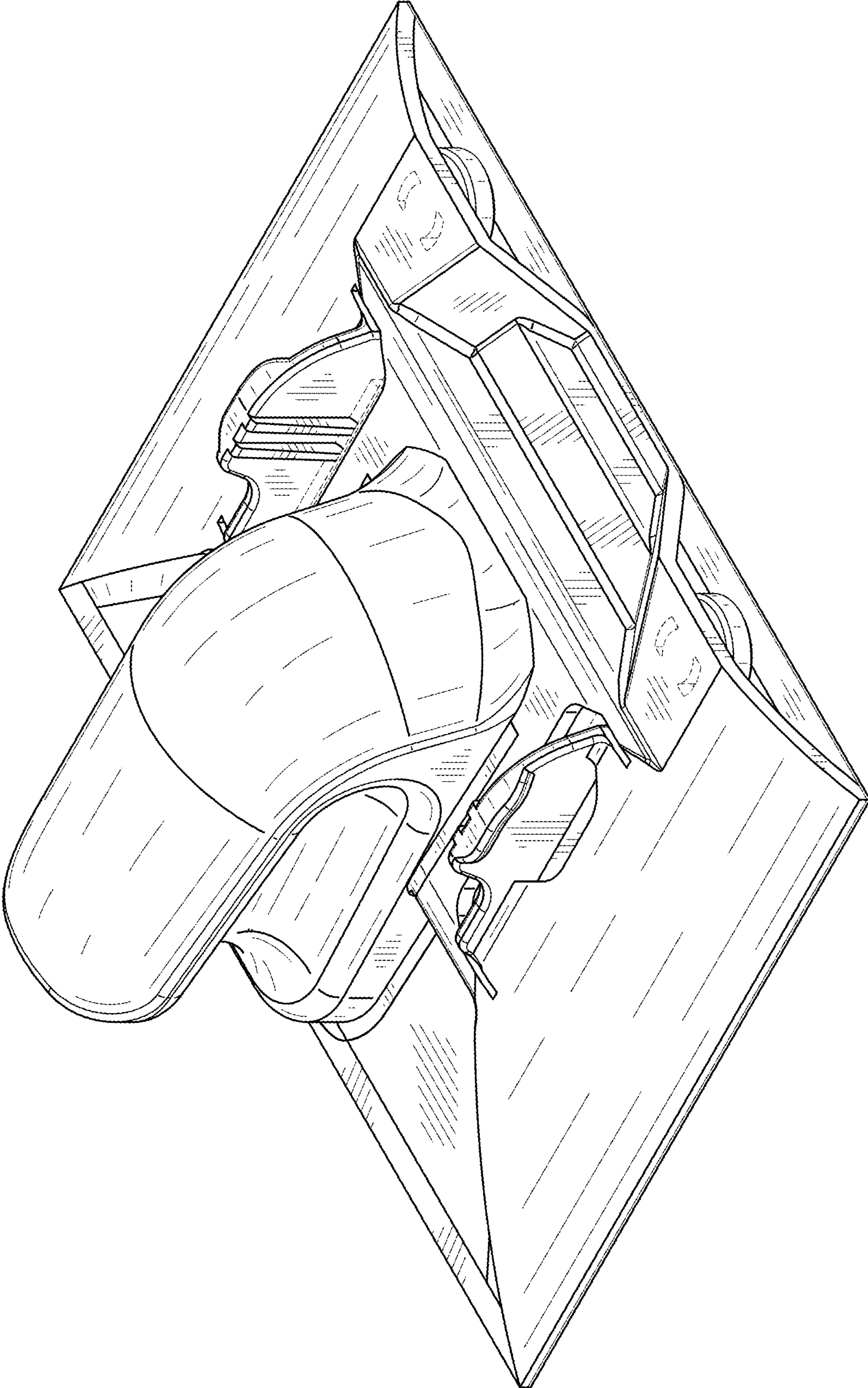


FIG. 1

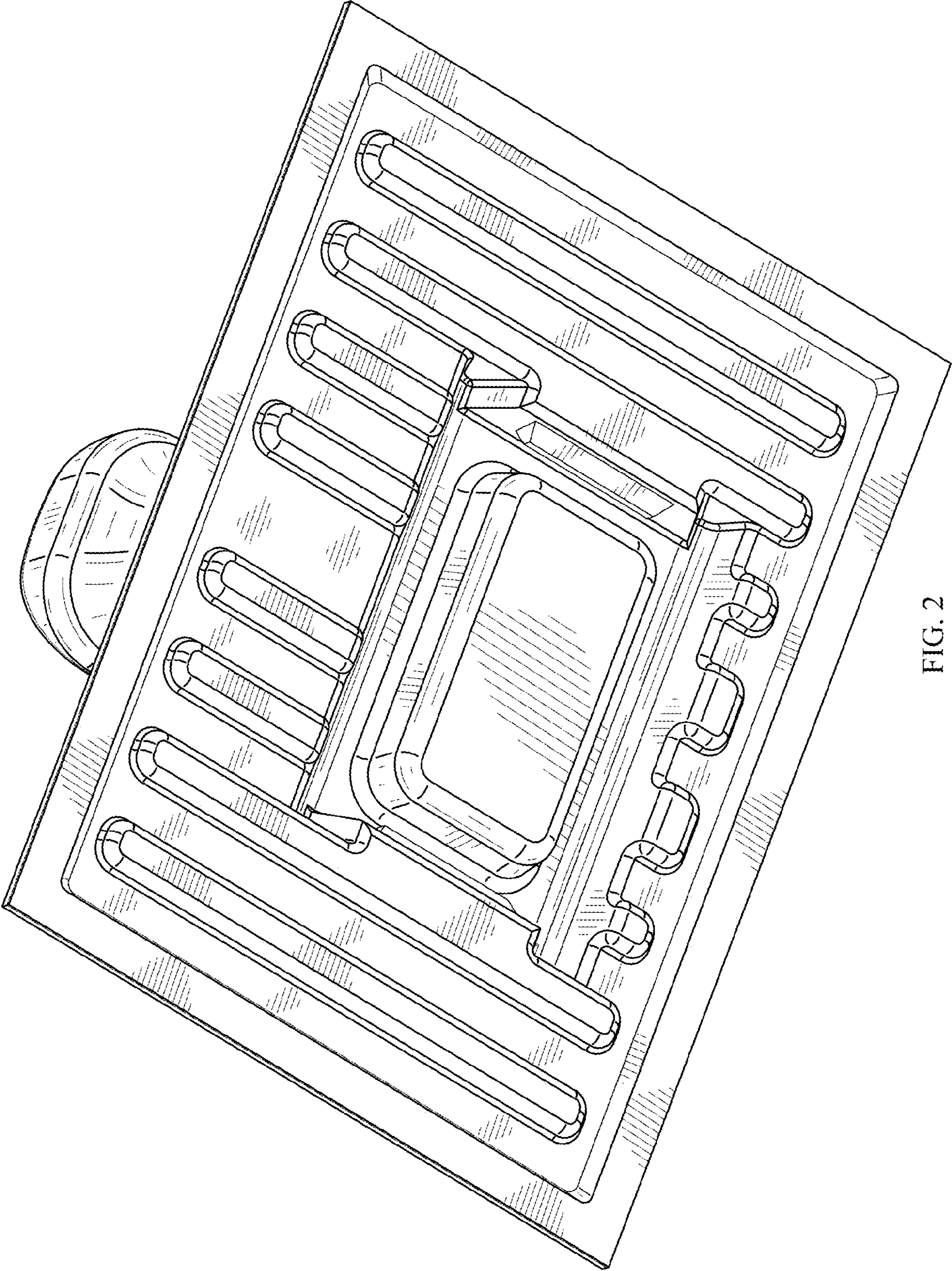


FIG. 2

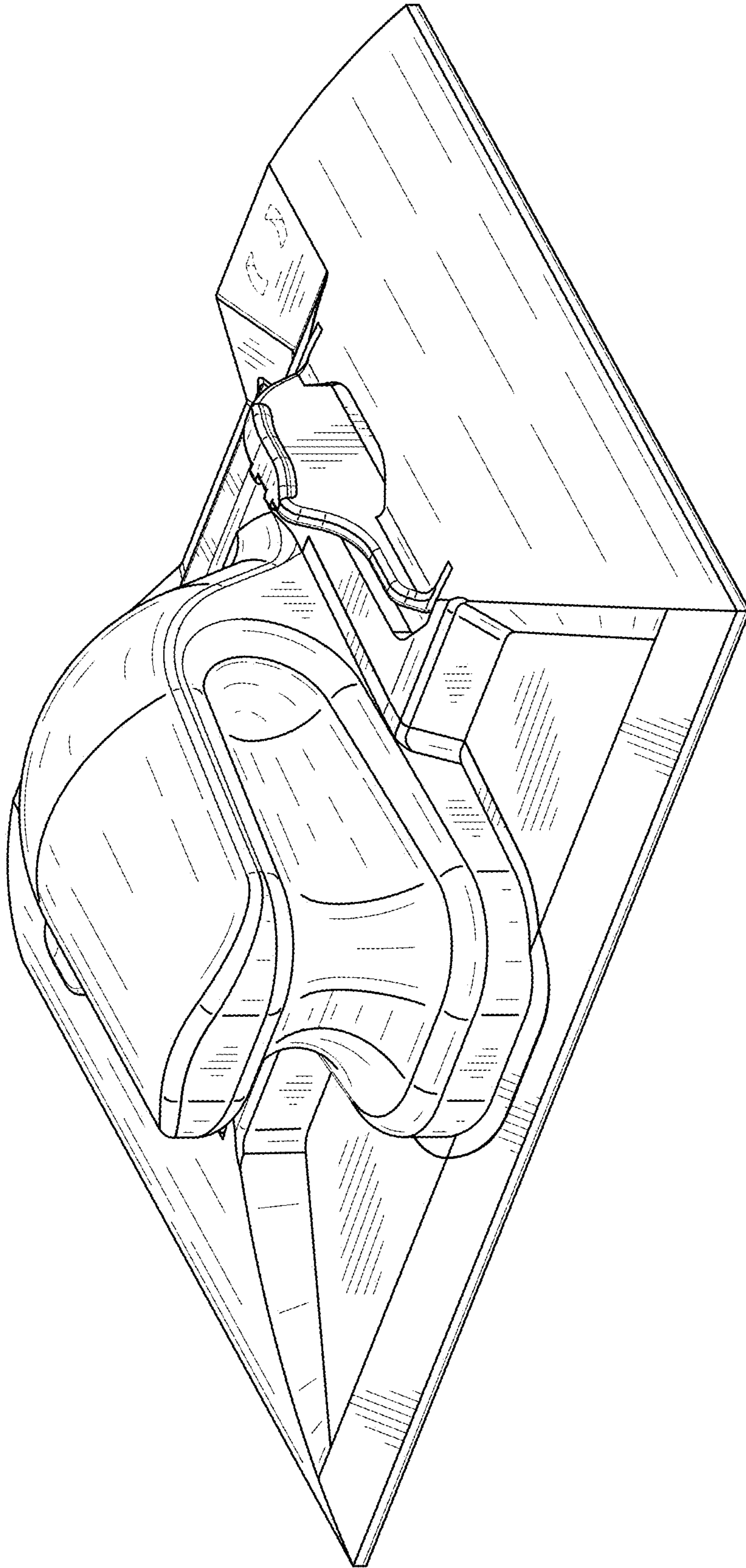


FIG. 3

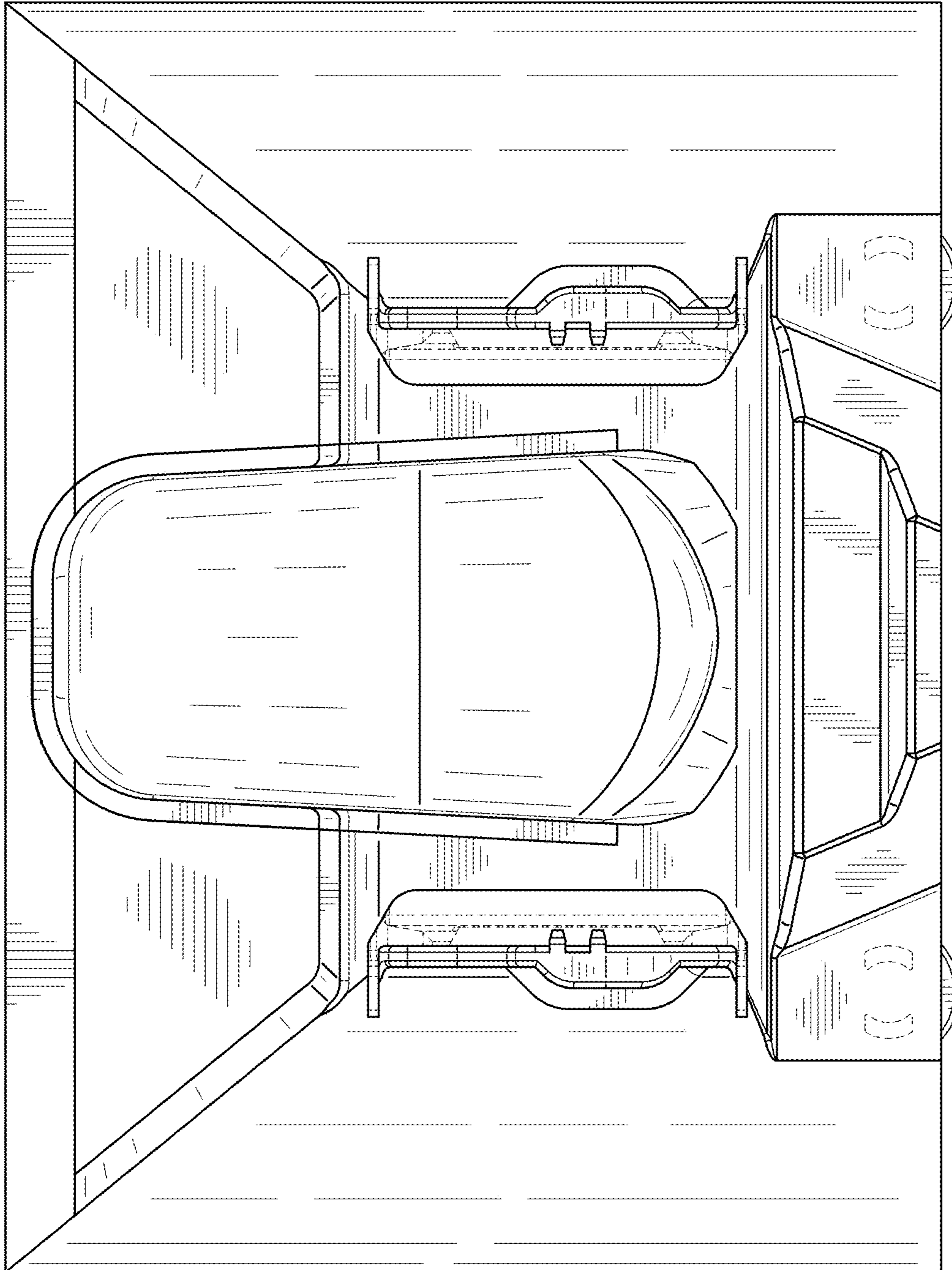


FIG. 4

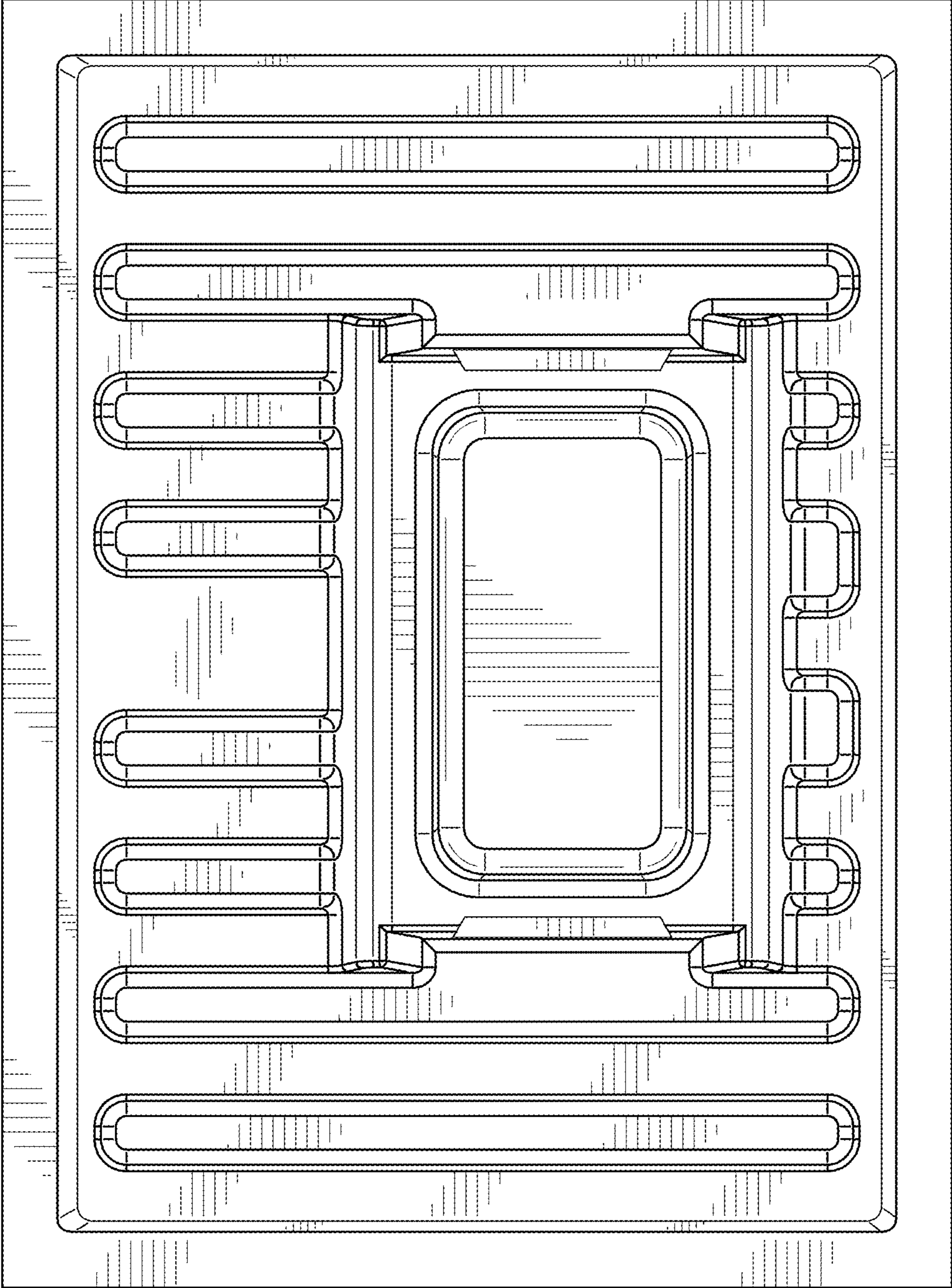


FIG. 5

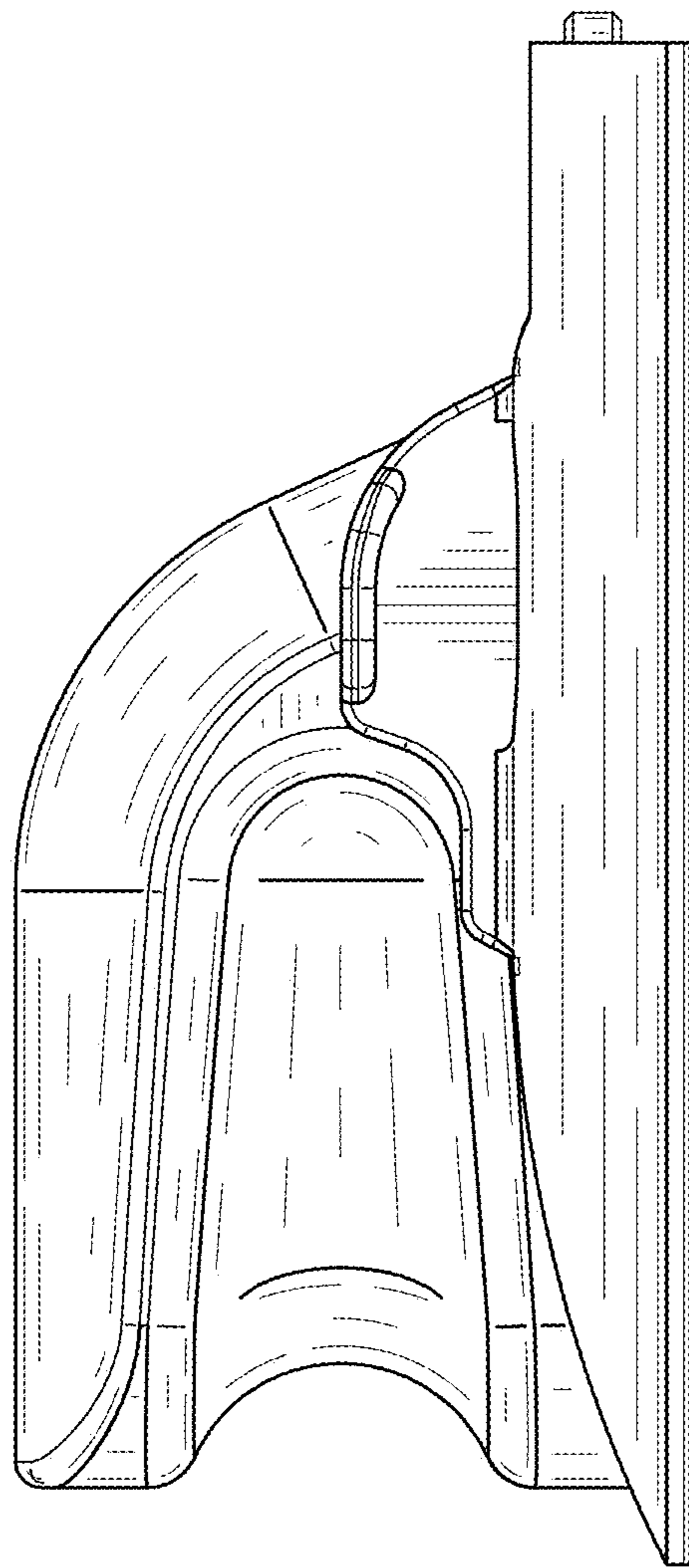


FIG. 6

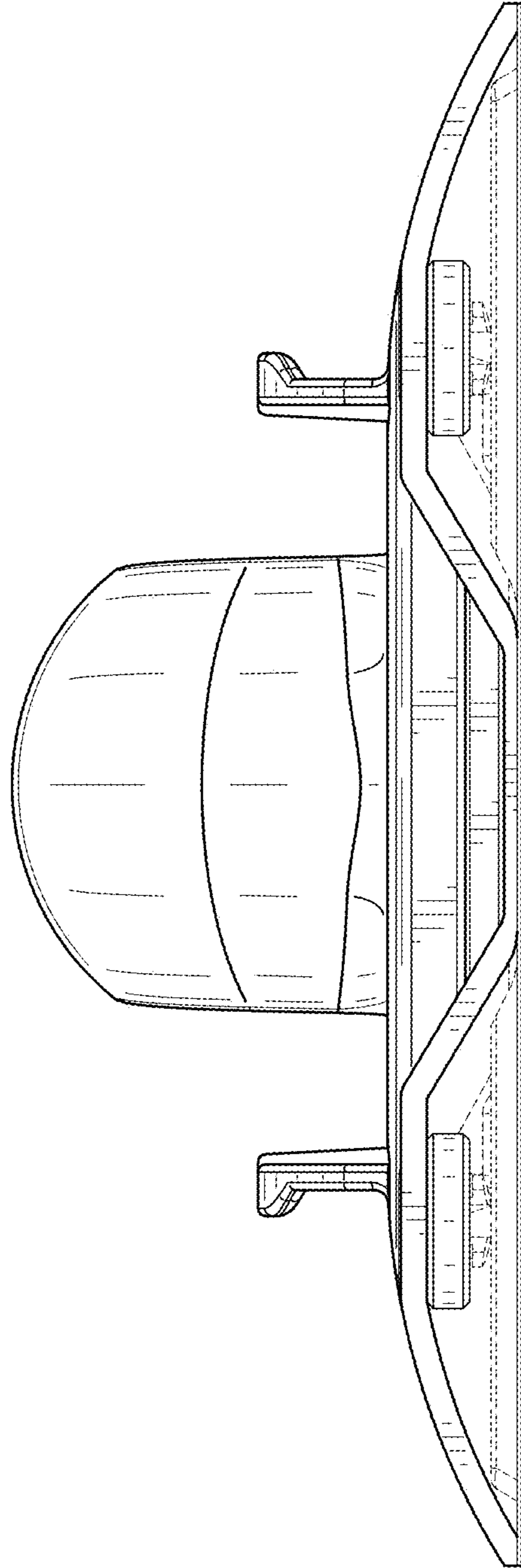


FIG. 7



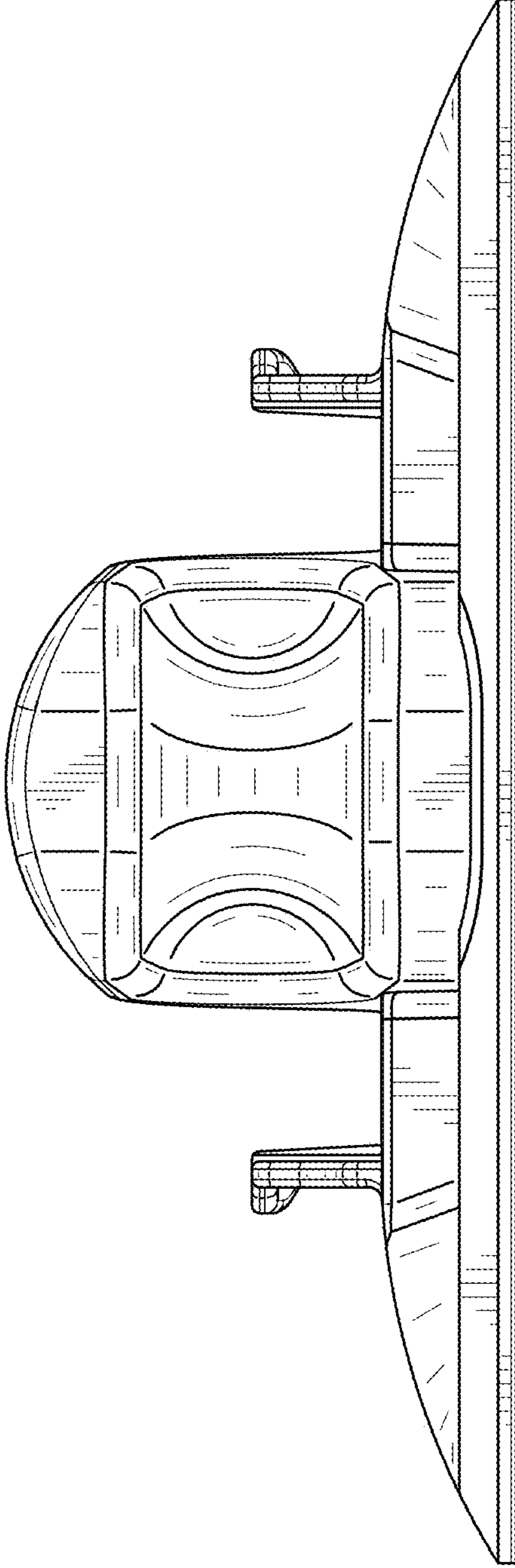


FIG. 8