



US00D872485S

(12) **United States Design Patent** (10) **Patent No.:** **US D872,485 S**  
**Seiders et al.** (45) **Date of Patent:** **\*\* \*Jan. 14, 2020**

(54) **CONTAINER**

- (71) Applicant: **YETI Coolers, LLC**, Austin, TX (US)
- (72) Inventors: **Roy Joseph Seiders**, Rollingwood, TX (US); **Steve Charles Nichols**, Austin, TX (US); **Kyle Ellison**, Austin, TX (US); **Andy Bondhus**, Austin, TX (US); **Tobias Hotchkiss**, Austin, TX (US); **Liza Morris**, Austin, TX (US); **Dennis Zuck**, Austin, TX (US); **Ryan Nixon**, Austin, TX (US)
- (73) Assignee: **YETI Coolers, LLC**, Austin, TX (US)
- (\* ) Notice: This patent is subject to a terminal disclaimer.
- (\*\*) Term: **15 Years**

- (21) Appl. No.: **29/607,296**
- (22) Filed: **Jun. 12, 2017**
- (51) **LOC (12) Cl.** ..... **03-01**
- (52) **U.S. Cl.**  
USPC ..... **D3/323; D3/294**
- (58) **Field of Classification Search**  
USPC .... **D3/294, 273, 20, 200, 201, 203.6, 203.7, D3/272, 905, 318, 323; D7/605, 601;**  
(Continued)

- (56) **References Cited**  
**U.S. PATENT DOCUMENTS**  
  
286,909 A 10/1883 Commander  
2,101,337 A 12/1937 Komenak  
(Continued)

- FOREIGN PATENT DOCUMENTS**  
  
CA 77273 A 9/1902  
CH 365631 A 11/1962  
(Continued)

OTHER PUBLICATIONS

Pelican Elite 50 Quart Cooler, available Nov. 9, 2016, [online], [site visited Mar. 31, 2018]. Available from internet, <URL: [https://www.amazon.com/Pelican-Elite-Quart-Cooler-White/product-reviews/B01G7KG5PA/ref=cm\\_cr\\_getr\\_d\\_paging\\_btm\\_5?ie=UTF8&reviewerType=all reviews&sortBy=recent&pageNumber=5](https://www.amazon.com/Pelican-Elite-Quart-Cooler-White/product-reviews/B01G7KG5PA/ref=cm_cr_getr_d_paging_btm_5?ie=UTF8&reviewerType=all+reviews&sortBy=recent&pageNumber=5) (Year: 2016).\*

(Continued)

*Primary Examiner* — W. A. Teddy Falloway  
(74) *Attorney, Agent, or Firm* — Banner & Witcoff, Ltd.

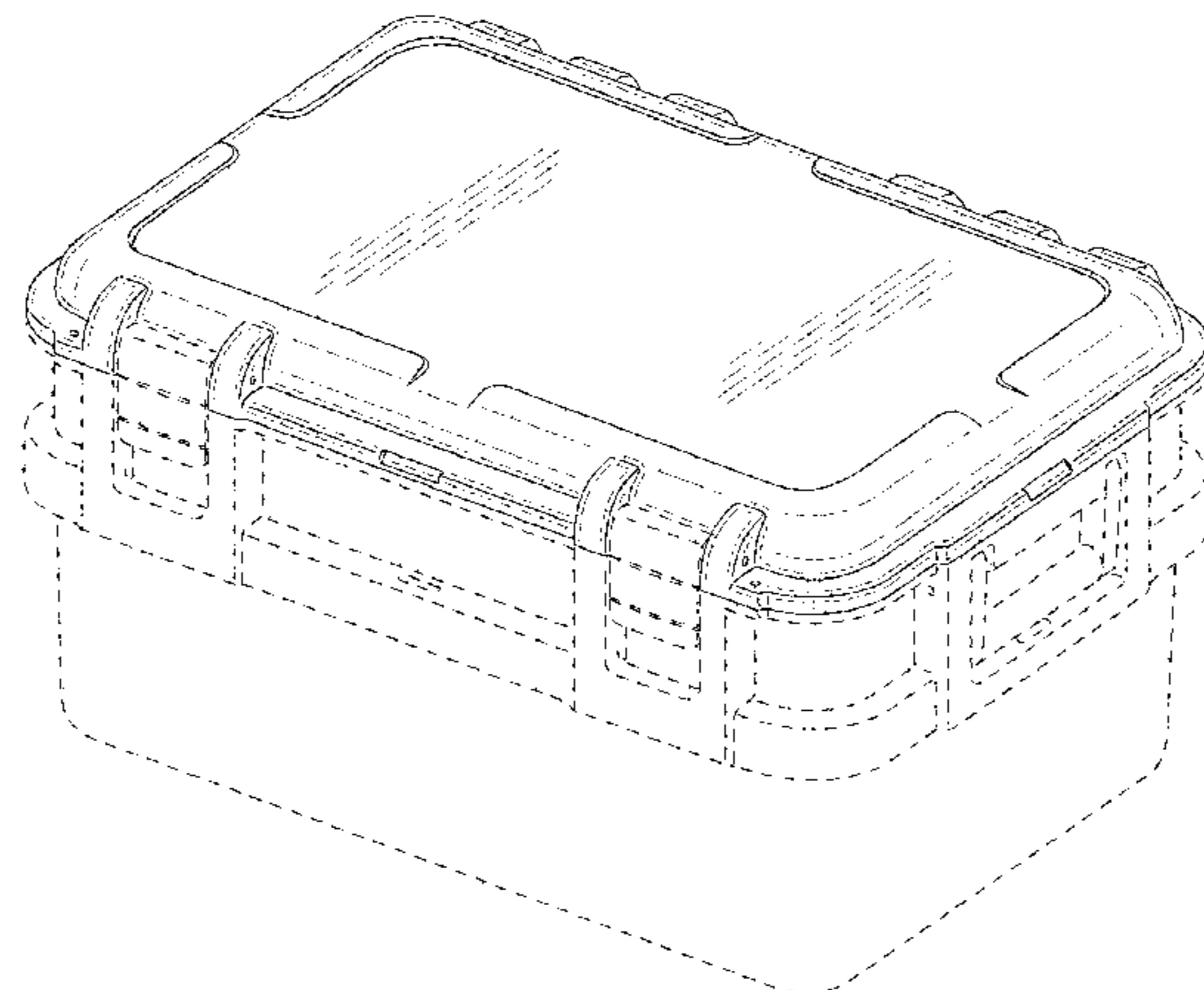
(57) **CLAIM**

The ornamental design for a container, as shown and described.

**DESCRIPTION**

FIG. 1 is a top, front, right perspective view of a container showing our new design in an open configuration; FIG. 2 is a front view thereof; FIG. 3 is a rear view thereof; FIG. 4 is a right side view thereof; FIG. 5 is a left side view thereof; FIG. 6 is a top view thereof; FIG. 7 is a bottom view thereof; FIG. 8 is a top, front, right perspective view of a container showing our new design in a closed configuration; FIG. 9 is a front view thereof; FIG. 10 is a rear view thereof; FIG. 11 is a right side view thereof; FIG. 12 is a left side view thereof; FIG. 13 is a top view thereof; and, FIG. 14 is a bottom view thereof. The broken lines illustrate portions of the container and form no part of the claimed design. The broken lines immediately adjacent to the shaded areas define the bounds of the claimed design, and form no part thereof.

**1 Claim, 14 Drawing Sheets**



(58) **Field of Classification Search**  
 USPC ..... D8/336, 338; D24/224–232; D9/420,  
 D9/432, 435; 206/373, 372, 349, 312,  
 206/428, 432, 443, 70, 289; 292/80, 87,  
 292/89, 194, 198, 202, 203, 209, 210,  
 292/249, 246, 250, 304, DIG. 11;  
 220/324, 326, 592.03, 592.09, 915.1,  
 220/915.2; 312/333, 902; 62/389–400,  
 62/371, 372, 457.1, 457.2; 362/92, 94,  
 362/155; 70/63; 43/54.1; 224/920, 931  
 CPC ..... A45C 2013/025; A45C 5/04; A45C 11/20;  
 B25H 3/02; A01K 97/04; A47G 23/04;  
 A61B 2050/311; A61L 2202/122; A61L  
 2202/182; B65D 81/3823; B65D 85/28;  
 F25D 3/08  
 See application file for complete search history.

(56) **References Cited**  
 U.S. PATENT DOCUMENTS

2,109,928 A	3/1938	Passalacqua	5,353,946 A	10/1994	Behrend
2,647,653 A	8/1953	Dube	5,373,708 A	12/1994	Dumoulin, Jr.
2,717,093 A	9/1955	Mautner	5,390,811 A	2/1995	Ogino et al.
2,747,732 A	5/1956	Fischer	5,427,308 A	6/1995	Swift et al.
2,803,956 A	8/1957	Womer	5,435,256 A	7/1995	Svehaug
2,869,909 A	1/1959	Harling	D361,888 S	9/1995	Kahl et al.
2,931,205 A	4/1960	Schmitz	D364,426 S	11/1995	Bucaccio
2,936,189 A	5/1960	Pearson	5,465,985 A	11/1995	Devan et al.
3,191,244 A	6/1965	Burke	D367,360 S	2/1996	Wolff
3,202,310 A	8/1965	Tibbets	D368,161 S	3/1996	Miller
3,250,558 A	5/1966	McClintock	D369,342 S	4/1996	Williams
3,259,412 A	7/1966	Wheeler	D369,695 S	5/1996	Imotani
3,416,701 A	12/1968	Kramer et al.	5,518,139 A	5/1996	Trower et al.
3,432,025 A	3/1969	Luhe	D370,619 S	6/1996	Hall et al.
3,661,410 A	5/1972	Larson et al.	5,526,953 A	6/1996	Chieng
3,688,942 A	9/1972	Mitchell et al.	5,564,805 A	10/1996	Dickinson
3,690,708 A	9/1972	Worley et al.	5,570,915 A	11/1996	Asadurian
3,741,433 A	6/1973	Bentley et al.	5,620,212 A	4/1997	Bourne et al.
3,847,423 A	11/1974	Gley	5,620,213 A	4/1997	Ellis
3,902,628 A	9/1975	Schurman	5,626,373 A	5/1997	Chambers et al.
4,116,479 A	9/1978	Poe	5,630,630 A	5/1997	Price et al.
4,153,178 A	5/1979	Weavers	D380,369 S	7/1997	Antonucci
D257,218 S	10/1980	Eriksson	D381,512 S	7/1997	Green
4,249,760 A	2/1981	Conley	5,683,097 A	11/1997	Fenton et al.
4,446,705 A	5/1984	Loucks	5,688,001 A	11/1997	Klein et al.
4,476,988 A	10/1984	Tanner	5,704,158 A	1/1998	Whiteaker
4,592,482 A	6/1986	Seager	5,718,350 A	2/1998	Williams
4,662,188 A	5/1987	Hullihan	5,727,844 A	3/1998	O'Quinn et al.
4,746,008 A	5/1988	Heverly et al.	5,732,987 A	3/1998	Wright et al.
4,768,815 A	9/1988	Harmon	5,755,311 A	5/1998	Younessian et al.
4,899,904 A	2/1990	Dooley et al.	5,762,411 A	6/1998	Yemini
4,904,007 A	2/1990	Woodruff	5,797,488 A	8/1998	Yemini
4,917,261 A	4/1990	Borst	5,826,718 A	10/1998	Ahem, Jr. et al.
4,975,073 A	12/1990	Weisman	5,860,281 A	1/1999	Coffee et al.
4,982,863 A	1/1991	Skillius	5,875,948 A	3/1999	Sadler
5,024,471 A	6/1991	Kahl et al.	5,887,745 A	3/1999	Wood
5,040,834 A	8/1991	Kahl et al.	5,901,571 A	5/1999	Whaley
5,044,513 A	9/1991	Van Berne	5,904,269 A	5/1999	Wolff
5,080,250 A	1/1992	Dickinson et al.	5,934,716 A	8/1999	Koveal et al.
5,111,920 A	5/1992	Castelli et al.	5,950,368 A	9/1999	Bradford
5,153,561 A	10/1992	Johnson	5,957,321 A	9/1999	Jones
5,169,018 A	12/1992	Fiore	D414,673 S	10/1999	Dickinson et al.
D333,775 S	3/1993	Krape	5,971,218 A	10/1999	Le
5,205,413 A	4/1993	Cautereels et al.	5,975,334 A	11/1999	Mayo
5,213,381 A	5/1993	Anderson	5,984,382 A	11/1999	Boume et al.
5,216,905 A	6/1993	Sersch et al.	5,988,658 A	11/1999	Ritchie et al.
5,235,830 A	8/1993	Benge	D419,767 S *	2/2000	Richardson ..... D3/273
D340,167 S	10/1993	Kahl	6,079,754 A	6/2000	Alexy
D342,609 S	12/1993	Brightbill	D427,882 S	7/2000	Wytcherley et al.
5,269,157 A	12/1993	Ciminelli et al.	6,105,767 A	8/2000	Vasudeva
5,313,817 A	5/1994	Meinders	6,129,231 A	10/2000	Hsiao et al.
5,319,937 A	6/1994	Fritsch et al.	6,152,501 A	11/2000	Magi et al.
5,322,178 A	6/1994	Foos	D435,780 S	1/2001	Tieu
5,335,451 A	8/1994	Druzynski	6,176,559 B1	1/2001	Tiramani et al.
			D441,954 S *	5/2001	Parker ..... D3/273
			6,244,064 B1	6/2001	Powell et al.
			6,244,066 B1	6/2001	LaRose
			6,244,458 B1	6/2001	Frysinger et al.
			6,279,971 B1	8/2001	Dessenberger, Jr.
			6,289,684 B1	9/2001	Guidry, II et al.
			6,305,185 B1	10/2001	Sloan
			6,343,815 B1	2/2002	Poe
			D454,292 S	3/2002	Plummer et al.
			6,371,320 B2	4/2002	Sagol
			6,398,272 B1	6/2002	Plummer et al.
			6,422,386 B1	7/2002	Wiese et al.
			6,427,501 B2	8/2002	Ramsauer
			D462,519 S *	9/2002	Gaydos ..... D3/276
			6,446,382 B1	9/2002	Cloutier et al.
			D467,425 S *	12/2002	Hardigg ..... D3/276
			D467,426 S *	12/2002	Hardigg ..... D3/276
			6,497,438 B1	12/2002	Holub et al.
			D471,711 S *	3/2003	Addison ..... D3/273
			6,527,309 B1	3/2003	Gaydos et al.
			6,547,289 B1	4/2003	Greenheck et al.
			6,554,327 B1	4/2003	Riley
			6,574,983 B2	6/2003	Smith et al.
			6,585,090 B2 *	7/2003	Harvey ..... A45C 5/04

(56)

References Cited

U.S. PATENT DOCUMENTS

D481,293 S	10/2003	Ayrest	8,287,009 B2	10/2012	Dane et al.
D482,593 S	11/2003	Wolf	8,297,464 B2	10/2012	Grenier et al.
6,640,397 B1	11/2003	Gipson	8,328,247 B2	12/2012	Tonelli
6,658,903 B1	12/2003	McShane et al.	8,336,708 B2	12/2012	Potterfield et al.
6,691,451 B1	2/2004	Keenan	8,342,580 B2	1/2013	Cowie et al.
D489,595 S	5/2004	Gleichauf et al.	8,378,323 B1	2/2013	Spann et al.
6,736,265 B2	5/2004	Kipper et al.	8,382,171 B2	2/2013	Williams
D491,797 S	6/2004	Eriksson	D678,749 S	3/2013	Tung
D492,184 S	6/2004	Parker et al.	D678,750 S	3/2013	Tung
6,755,448 B2	6/2004	Jackson et al.	8,424,930 B2	4/2013	Matsubara et al.
6,761,366 B1	7/2004	Klemmensen et al.	8,459,495 B2	6/2013	Koenig et al.
6,779,681 B2	8/2004	Doerfler et al.	8,490,413 B2	7/2013	Blackway et al.
6,789,692 B2	9/2004	Prezelin	8,496,133 B2	7/2013	Mizukoshi et al.
6,793,096 B1	9/2004	Seok	8,505,729 B2	8/2013	Sosnovsky et al.
6,895,789 B2	5/2005	Masseh, Jr. et al.	8,517,211 B2	8/2013	Brown et al.
6,929,145 B2	8/2005	Shepler	8,544,648 B2	10/2013	Cleveland et al.
6,955,381 B2	10/2005	Parker et al.	8,567,631 B2	10/2013	Brunner
6,981,780 B2	1/2006	Einav	8,567,796 B2	10/2013	Bar-Erez et al.
6,983,946 B2	1/2006	Sullivan et al.	8,573,399 B2	11/2013	Ulmer et al.
7,017,740 B2	3/2006	Itzkovitch	8,590,704 B2	11/2013	Koenig et al.
D520,237 S	5/2006	Cheng	8,590,724 B2	11/2013	Kreidler et al.
7,040,115 B1	5/2006	Lopez et al.	8,596,485 B2	12/2013	Lindsay
D523,242 S *	6/2006	Hardigg ..... D3/276	8,596,487 B1	12/2013	Su
D525,714 S *	7/2006	Ueda ..... D24/227	8,601,838 B2	12/2013	Hansen et al.
D540,651 S	4/2007	Wolf, V	D699,100 S	2/2014	Moreau et al.
D540,652 S	4/2007	Wolf, V	8,677,661 B2	3/2014	Michels et al.
7,246,718 B2	7/2007	Einav et al.	8,678,227 B2	3/2014	Patstone
D552,352 S *	10/2007	Lin ..... D3/294	D701,697 S	4/2014	Sabbag et al.
7,284,763 B1	10/2007	King	8,714,568 B2	5/2014	Allam et al.
D555,902 S *	11/2007	Pendergraph ..... D3/273	8,740,010 B1	6/2014	Page
7,296,434 B2	11/2007	Scroggs	8,763,848 B2	7/2014	Carey
7,306,243 B2	12/2007	Van Horn et al.	8,763,851 B2	7/2014	Jiang et al.
7,309,106 B2	12/2007	Stallman	8,770,426 B2	7/2014	Arnett et al.
7,334,680 B2	2/2008	Cunningham et al.	8,844,749 B2	9/2014	Manahan et al.
D566,479 S	4/2008	Kabalin	8,851,282 B2	10/2014	Brunner
7,370,891 B1	5/2008	Schmitt et al.	8,863,975 B2	10/2014	McCanless
7,397,674 B2	7/2008	Schlack	8,864,185 B2	10/2014	Do
7,415,794 B1	8/2008	Thompson	8,864,189 B2	10/2014	Fournie et al.
D578,758 S *	10/2008	Stevens ..... D3/272	D717,152 S	11/2014	Weinerman et al.
D579,202 S *	10/2008	Grenier ..... D3/294	8,875,877 B2	11/2014	Cottle et al.
7,434,410 B2	10/2008	Ford	8,875,888 B2	11/2014	Koenig et al.
7,458,481 B2	12/2008	Yuen	8,875,934 B2	11/2014	Deka
7,461,871 B2	12/2008	Vauchel	8,881,930 B2	11/2014	Banik
D590,694 S	4/2009	Stuckey	8,887,515 B2	11/2014	Patstone
7,516,842 B2	4/2009	Gu	8,910,788 B2	12/2014	Roach et al.
7,530,405 B2	5/2009	Kollath et al.	8,910,819 B2	12/2014	Seiders
7,540,364 B2	6/2009	Sanderson	8,919,596 B2	12/2014	Carino
7,568,739 B2	8/2009	Lee	D720,599 S	1/2015	Weinerman et al.
7,571,915 B1	8/2009	Simmons	8,925,752 B2	1/2015	Smith
7,581,656 B2	9/2009	Gnepper et al.	D722,860 S	2/2015	Linares
7,604,290 B1	10/2009	Giordano	8,944,476 B1	2/2015	Henderson
7,607,540 B2	10/2009	Ballard	8,960,430 B2	2/2015	Roach et al.
7,688,584 B1	3/2010	Becklin	8,960,735 B2	2/2015	Michael et al.
7,722,204 B1	5/2010	Sandberg	8,979,100 B2	3/2015	Bensman et al.
7,735,261 B2	6/2010	Sellati	8,979,101 B2	3/2015	Primiano
7,748,232 B2	7/2010	Kang	8,979,144 B2	3/2015	Paugh et al.
D624,315 S *	9/2010	Amatrudo ..... D3/276	8,985,326 B2	3/2015	Halsne et al.
7,806,287 B2	10/2010	Rouns	9,004,274 B2	4/2015	Thornberg
7,854,321 B2	12/2010	Twig et al.	9,004,548 B2	4/2015	Joret et al.
D630,435 S	1/2011	Brunner	9,027,751 B2	5/2015	Lee
7,861,552 B1	1/2011	Hughes	D730,716 S	6/2015	Weinerman et al.
7,937,884 B1	5/2011	Naylor et al.	D731,250 S	6/2015	Butler et al.
7,959,194 B2	6/2011	Mahoney	D732,923 S	6/2015	Rechberg et al.
8,016,153 B2	9/2011	Boenig et al.	9,045,264 B2	6/2015	Phs
D646,528 S	10/2011	Stallman et al.	9,067,081 B2	6/2015	Roach et al.
D650,585 S *	12/2011	Jamison ..... D3/294	9,085,403 B2	7/2015	Roach et al.
8,091,731 B2	1/2012	Kidd et al.	9,108,772 B2	8/2015	Hovatter
8,096,152 B2	1/2012	Wagh et al.	9,114,909 B2	8/2015	Wagner
8,167,166 B2	5/2012	Kidd et al.	D738,702 S	9/2015	Linares
8,176,749 B2	5/2012	LaMere et al.	9,163,871 B1	10/2015	Costello
D665,166 S *	8/2012	Khalifa ..... D3/260	9,169,678 B2	10/2015	Rozema
8,245,868 B2	8/2012	Ikeda et al.	9,187,210 B2	11/2015	Zhu et al.
8,251,245 B2	8/2012	DiPietro et al.	9,193,060 B2	11/2015	Ben-Gigi
D667,697 S	9/2012	Shah	9,199,370 B2	12/2015	Crull
8,286,828 B2	10/2012	Schafer	9,199,657 B2	12/2015	Martin
			9,211,040 B2	12/2015	Lane
			D747,639 S	1/2016	Linares
			D747,950 S	1/2016	Jacobsen et al.
			D747,951 S	1/2016	Jacobsen et al.

(56)

References Cited

U.S. PATENT DOCUMENTS

9,233,465 B2	1/2016	Lai	2006/0249522 A1	11/2006	Ringo	
D748,452 S	2/2016	Jacobsen et al.	2006/0276768 A1	12/2006	Miller et al.	
9,248,566 B2	2/2016	Horiyama et al.	2007/0039957 A1	2/2007	Shulz et al.	
9,259,090 B1	2/2016	Cronin	2007/0101754 A1	5/2007	Maldonado	
9,259,593 B2	2/2016	Roach et al.	2007/0175898 A1	8/2007	Craft et al.	
D750,953 S	3/2016	Jacobsen et al.	2007/0235452 A1	10/2007	Killinger et al.	
9,272,820 B2	3/2016	Cowie	2008/0001373 A1	1/2008	Vaughn	
9,278,704 B2	3/2016	Cates	2008/0029528 A1	2/2008	Mireault	
9,290,297 B2	3/2016	Overath	2008/0067095 A1	3/2008	Mueller	
9,307,840 B2	4/2016	Restrepo et al.	2008/0067206 A1	3/2008	Kuhn	
9,322,192 B2	4/2016	Burd	2008/0110892 A1	5/2008	House	
9,327,887 B2	5/2016	Farentinos et al.	2008/0116215 A1	5/2008	Chuang	
9,340,224 B2	5/2016	Yoder et al.	2008/0156858 A1	7/2008	Perry et al.	
9,341,003 B2	5/2016	Ely et al.	2008/0170388 A1	7/2008	Greil	
9,341,403 B2	5/2016	Conrad et al.	2008/0190940 A1	8/2008	Scott	
9,346,616 B2	5/2016	Foster	2008/0245095 A1	10/2008	Schlipman et al.	
9,359,798 B2	6/2016	Greenwood et al.	2008/0264946 A1	10/2008	Moschella et al.	
9,387,963 B2	7/2016	McBroom et al.	2009/0009039 A1	1/2009	Mayes, Jr.	
9,393,684 B2	7/2016	Christopher et al.	2009/0078593 A1*	3/2009	Patstone	A45C 9/00 206/216
9,415,787 B2	8/2016	Mericle	2009/0114646 A1	5/2009	Whalen	
D765,973 S *	9/2016	Tonelli ..... D3/279	2009/0114653 A1	5/2009	Schenker	
9,435,578 B2	9/2016	Calderon et al.	2009/0158770 A1	6/2009	Cohrs et al.	
D768,464 S	10/2016	Hatton	2009/0173744 A1	7/2009	Hassell	
D773,901 S	12/2016	Marret	2009/0277905 A1	11/2009	Gillan	
D777,530 S	1/2017	Marret	2010/0133132 A1	6/2010	Allan	
D778,707 S	2/2017	Tonelli	2010/0200784 A1	8/2010	Turner	
D779,201 S	2/2017	Beilman et al.	2010/0275642 A1	11/2010	Klettner	
9,567,784 B2	2/2017	Defrance et al.	2011/0114526 A1	5/2011	Neumann et al.	
9,637,294 B2	5/2017	Kinsky	2011/0119986 A1*	5/2011	Sellers	A01K 97/04 43/54.1
D807,123 S *	1/2018	Carey ..... D7/605	2011/0121002 A1	5/2011	Stiller	
D807,124 S *	1/2018	Carey ..... D7/605	2011/0127264 A1	6/2011	Whalen	
D808,653 S *	1/2018	Rayeski ..... D3/273	2011/0132046 A1	6/2011	Tonelli	
9,878,841 B2*	1/2018	Holderness ..... B65D 81/3823	2011/0181008 A1	7/2011	Bensman et al.	
D810,432 S *	2/2018	Ballou ..... D3/276	2011/0197625 A1	8/2011	Urban et al.	
D810,433 S *	2/2018	Ballou ..... D3/276	2011/0203328 A1	8/2011	Vilkomirski et al.	
D811,084 S *	2/2018	Ballou ..... D3/276	2011/0220531 A1	9/2011	Meether et al.	
D811,742 S *	3/2018	Ballou ..... D3/276	2011/0226003 A1	9/2011	Chaney et al.	
D811,744 S *	3/2018	Ballou ..... D3/279	2011/0226785 A1	9/2011	Sakell	
D814,187 S	4/2018	Caglar	2012/0104012 A1	5/2012	Cowie et al.	
D815,831 S *	4/2018	Tonelli ..... D3/279	2012/0168444 A1	7/2012	Shitrit et al.	
D815,919 S	4/2018	DeFrancia	2012/0193353 A1	8/2012	Cronin et al.	
D819,331 S	6/2018	Ballou et al.	2012/0273506 A1	11/2012	Adams et al.	
D820,049 S *	6/2018	Ahlstrom ..... D7/605	2012/0286489 A1	11/2012	Bartholomew	
D821,824 S *	7/2018	Rane ..... D7/605	2012/0312708 A1	12/2012	Roehm et al.	
D828,028 S *	9/2018	Seiders ..... D3/294	2013/0175276 A1	7/2013	Gleichauf et al.	
D828,029 S *	9/2018	Seiders ..... D3/294	2013/0248390 A1	9/2013	Roehm et al.	
10,088,144 B1	10/2018	Sandberg	2013/0307214 A1	11/2013	Groller et al.	
D835,470 S *	12/2018	Seiders ..... D7/605	2014/0027454 A1	1/2014	Banik	
D835,472 S *	12/2018	Seiders ..... D7/605	2014/0062042 A1	3/2014	Wagner et al.	
D835,946 S *	12/2018	Seiders ..... D7/605	2014/0069832 A1	3/2014	Roehm	
D836,993 S	1/2019	Meda et al.	2014/0151388 A1	6/2014	Culeron et al.	
D837,515 S	1/2019	Shpitzer	2014/0158028 A1	6/2014	Adams	
D838,983 S *	1/2019	Seiders ..... D3/318	2014/0166516 A1	6/2014	Martinez et al.	
D838,984 S *	1/2019	Seiders ..... D3/318	2014/0197059 A1	7/2014	Evans et al.	
D839,094 S	1/2019	Giraud et al.	2014/0197059 A1	7/2014	Evans et al.	
D840,150 S	2/2019	Seiders et al.	2014/0251864 A1	9/2014	Voeller	
2002/0162841 A1	11/2002	Shamir et al.	2014/0252010 A1	9/2014	Miller	
2002/0185871 A1	12/2002	Straka	2014/0265197 A1*	9/2014	Russell	B25H 3/02 280/79.3
2002/0195827 A1	12/2002	Jackson et al.	2014/0311361 A1	10/2014	Wangler	
2003/0038142 A1	2/2003	Gee	2014/0319147 A1	10/2014	Horovitz et al.	
2003/0106821 A1	6/2003	Bar-Erez	2014/0319147 A1	10/2014	Horovitz et al.	
2004/0016854 A1	1/2004	Hart	2015/0034515 A1	2/2015	Monyak et al.	
2004/0040967 A1*	3/2004	Eiskant ..... A61L 2/26 220/324	2015/0069962 A1	3/2015	Dietzel et al.	
2004/0178208 A1	9/2004	Leba et al.	2015/0114024 A1	4/2015	Grepper	
2004/0246695 A1	12/2004	Schlack	2015/0129569 A1	5/2015	Miller	
2005/0099019 A1	5/2005	Hall et al.	2015/0209226 A1	7/2015	Priebe et al.	
2005/0139741 A1	6/2005	Yuen	2015/0233630 A1	8/2015	Bond	
2005/0150892 A1	7/2005	Miller	2015/0292840 A1	10/2015	Tobin	
2005/0199628 A1	9/2005	Van Handel et al.	2015/0315532 A1	11/2015	Bergbohm et al.	
2005/0279123 A1	12/2005	Maldonado et al.	2015/0352709 A1	12/2015	Diamond	
2006/0017293 A1	1/2006	Tonelli	2015/0375558 A1	12/2015	Ben-Or	
2006/0042897 A1	3/2006	Sanderson	2015/0375918 A1	12/2015	Holderness et al.	
2006/0049640 A1	3/2006	Lee	2016/0023837 A1	1/2016	Furneaux et al.	
2006/0249412 A1	11/2006	Hernandez et al.	2016/0046417 A1	2/2016	Kromer	
			2016/0052682 A1	2/2016	Gunnerson et al.	
			2016/0083186 A1	3/2016	Wright	
			2016/0084454 A1*	3/2016	Svitak, Sr.	H02S 20/00 362/183

(56)

References Cited

U.S. PATENT DOCUMENTS

2016/0091239 A1 3/2016 Beland  
 2016/0138809 A1 5/2016 Colucci et al.  
 2016/0244209 A1 8/2016 Hain  
 2016/0251124 A1 9/2016 Arnold et al.  
 2016/0279840 A1 9/2016 French et al.  
 2018/0354687 A1\* 12/2018 Seiders ..... B65D 43/165  
 2019/0092530 A1\* 3/2019 Seiders ..... B65D 25/48

FOREIGN PATENT DOCUMENTS

CN 2073459 U 3/1991  
 CN 1112819 A 12/1995  
 CN 2813823 Y 9/2006  
 CN 203283617 U 11/2013  
 CN 201530103483 8/2015  
 CN 201530438676 2/2016  
 CN 201530438792 2/2016  
 CN 201630123602 8/2016  
 DE 2020368 A1 11/1971  
 DE 4042245 A1 7/1991  
 DE 9408707 U1 9/1995  
 DE 29516306 U1 2/1997  
 DE 19755532 A1 6/1999  
 DE 202004007996 U1 7/2004  
 DE 102012025617 A1 10/2013  
 DE 102013114520 A1 6/2015  
 EM 002569467-0001 11/2014  
 EM 002569467-0002 11/2014  
 EM 002569467-0003 11/2014  
 EM 002569467-0004 11/2014  
 EP 0587451 A1 3/1994  
 EP 0221215 B1 6/1995  
 EP 1059239 A1 12/2000  
 EP 1080656 A1 3/2001  
 EP 2412493 A2 2/2012  
 GB 854540 A 11/1960  
 GB 2032814 A 5/1980  
 GB 2045135 A 10/1980  
 GB 2047073 A 11/1980  
 GB 2278874 A 12/1994  
 GB 2289713 B 12/1997  
 GB 4037039 10/2014

IN 266778 5/2015  
 IN 266779-0001 5/2015  
 IN 276720 2/2016  
 JP S57-150175 U 9/1982  
 JP S60-164570 A 8/1985  
 JP H03-066374 U 6/1991  
 JP H07-102842 A 4/1995  
 JP H08-093298 A 4/1996  
 JP 2001-107621 A 4/2001  
 JP 2001-262907 A 9/2001  
 JP D2001-10753 6/2002  
 JP D2007-16058 5/2008  
 JP D2007-16059 5/2008  
 KR 3020030024985 9/2003  
 KR 3020070008850 12/2007  
 TW M310869 U 5/2007  
 WO D035637-003 2/1996  
 WO D036648-008 6/1996  
 WO 9748613 A1 12/1997  
 WO 02064445 A1 8/2002  
 WO 06019314 A1 2/2006  
 WO 09028960 A1 3/2009  
 WO 1135559 A1 3/2011  
 WO 11135559 A1 11/2011  
 WO 12000497 A1 1/2012  
 WO 15087357 A1 6/2015  
 WO 16072912 A1 5/2016  
 WO 16091570 A1 6/2016

OTHER PUBLICATIONS

Pelican Storm Waterproof Case, available Jul. 27, 2009, [online], [site visited Mar. 31, 2018]. Available from internet, <URL: [https://www.amazon.com/dp/B002JB07D8?axitk=EqSpVoa9QpKAGqst7rmxMA&pd\\_rd\\_i=B002JB07D8&pf\\_rd\\_m=ATVPDKIKX0DER&pf](https://www.amazon.com/dp/B002JB07D8?axitk=EqSpVoa9QpKAGqst7rmxMA&pd_rd_i=B002JB07D8&pf_rd_m=ATVPDKIKX0DER&pf) (Year: 2009).\*

Outdoor Products Small Watertight Dry Box, Blue, available May 31, 2016, [online], [site visited Mar. 31, 2018]. Available from internet, <URL: <https://www.walmart.com/ip/Outdoor-Products-Small-Watertight-Dry-Box-Blue/26674162> (Year: 2016).\*

Sep. 20, 2018—(WO) International Search Report and Written Opinion—App. PCT/US2018/037100.

\* cited by examiner

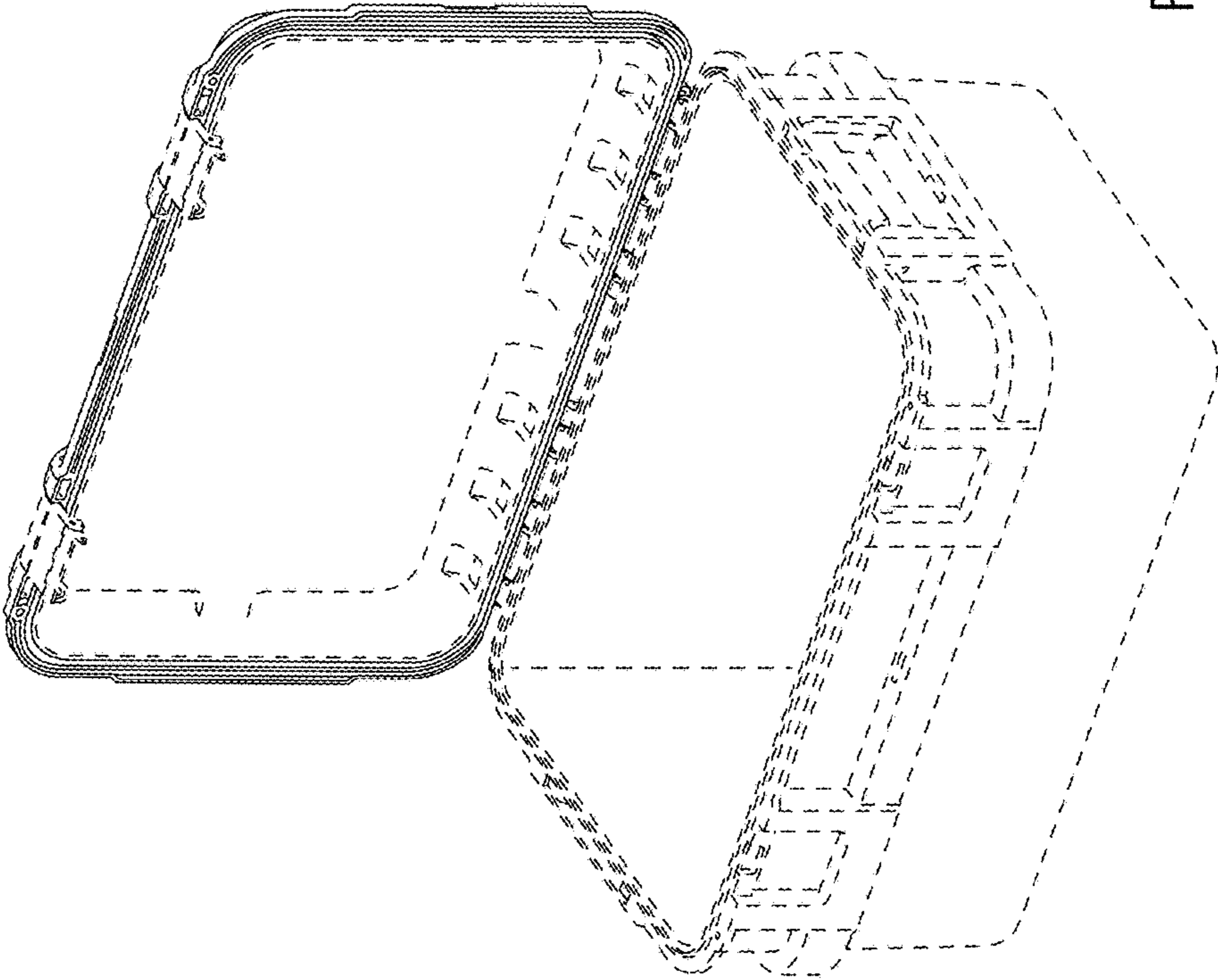


FIG. 1

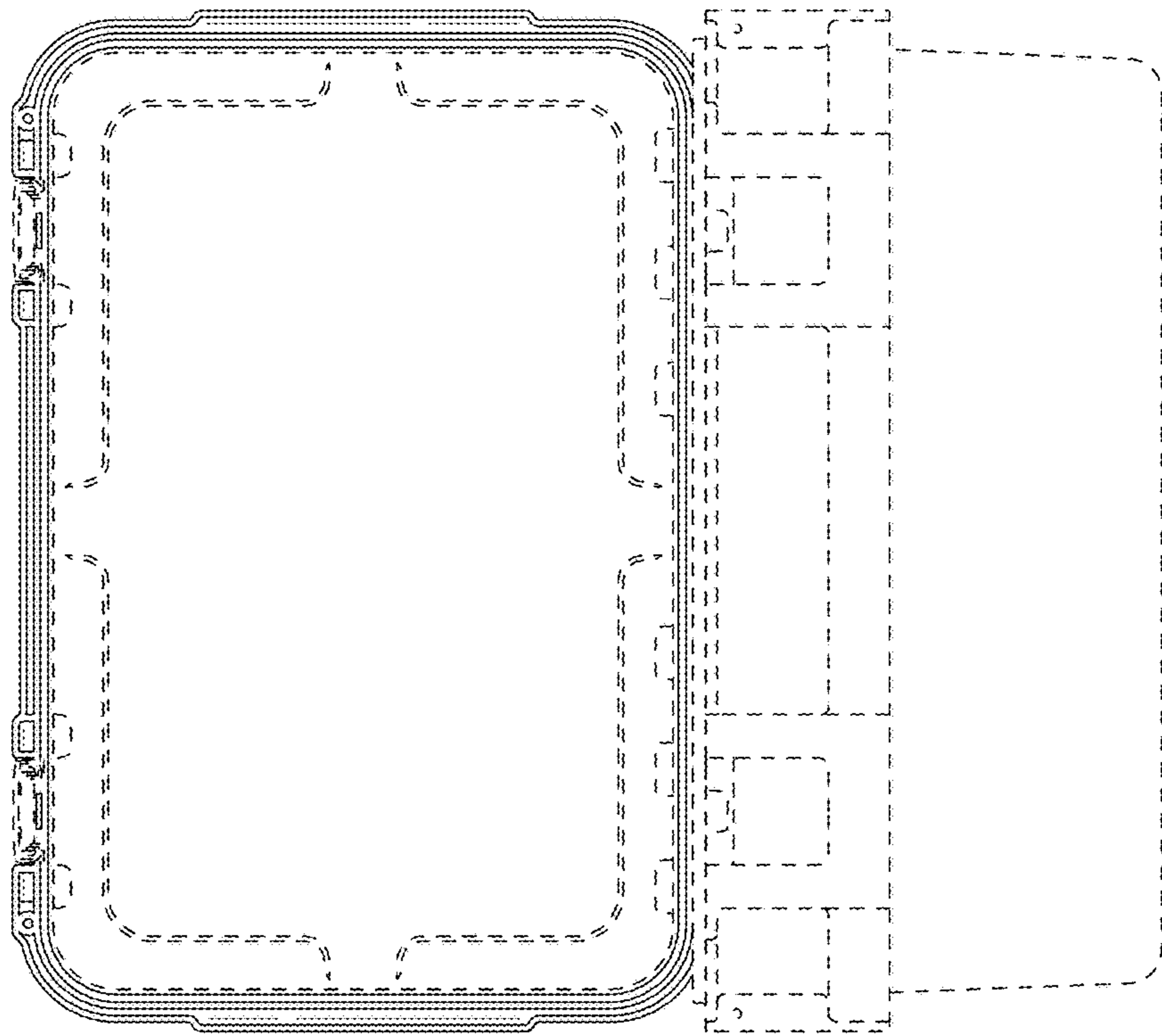


FIG. 2

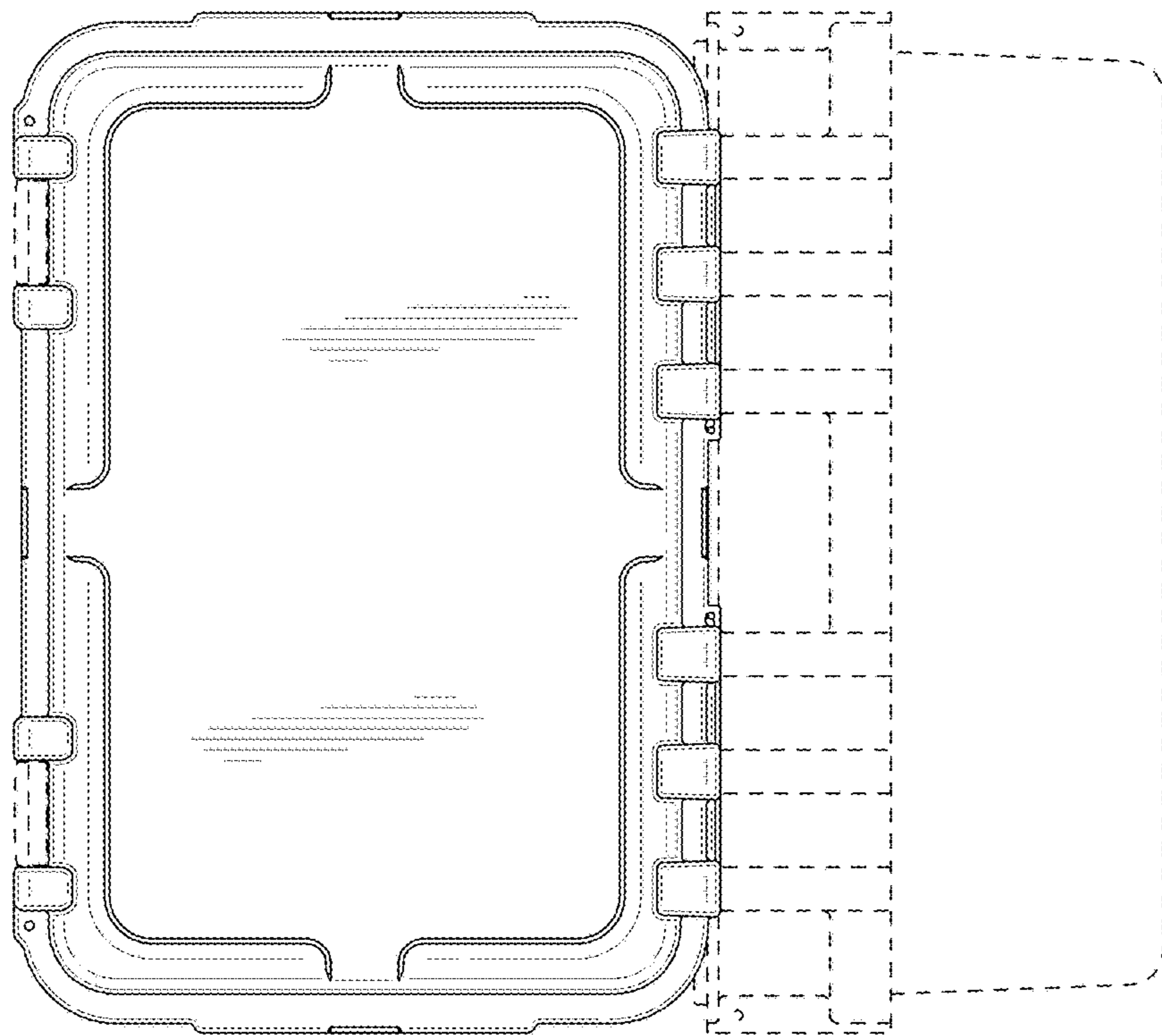


FIG. 3



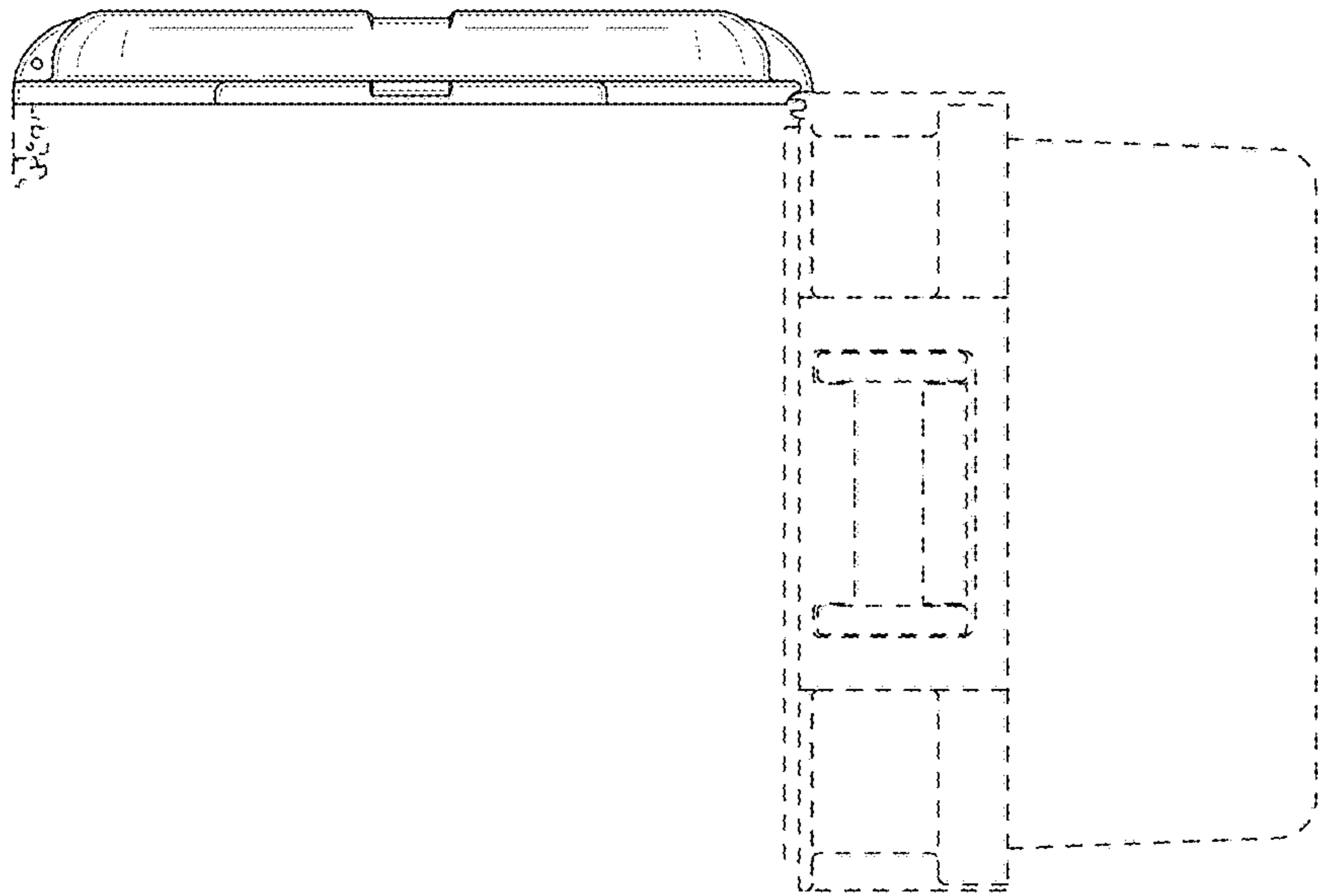


FIG. 4

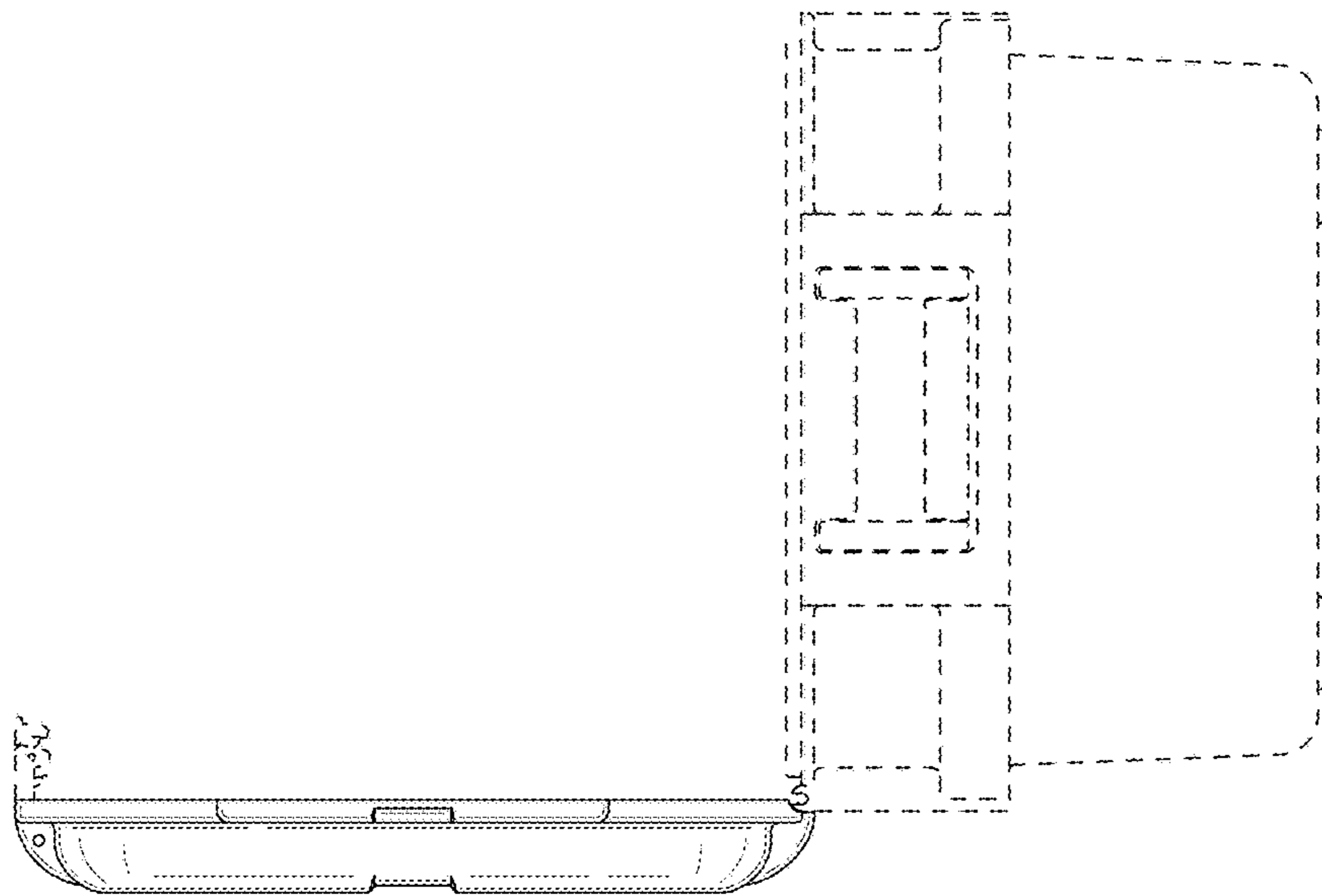


FIG. 5

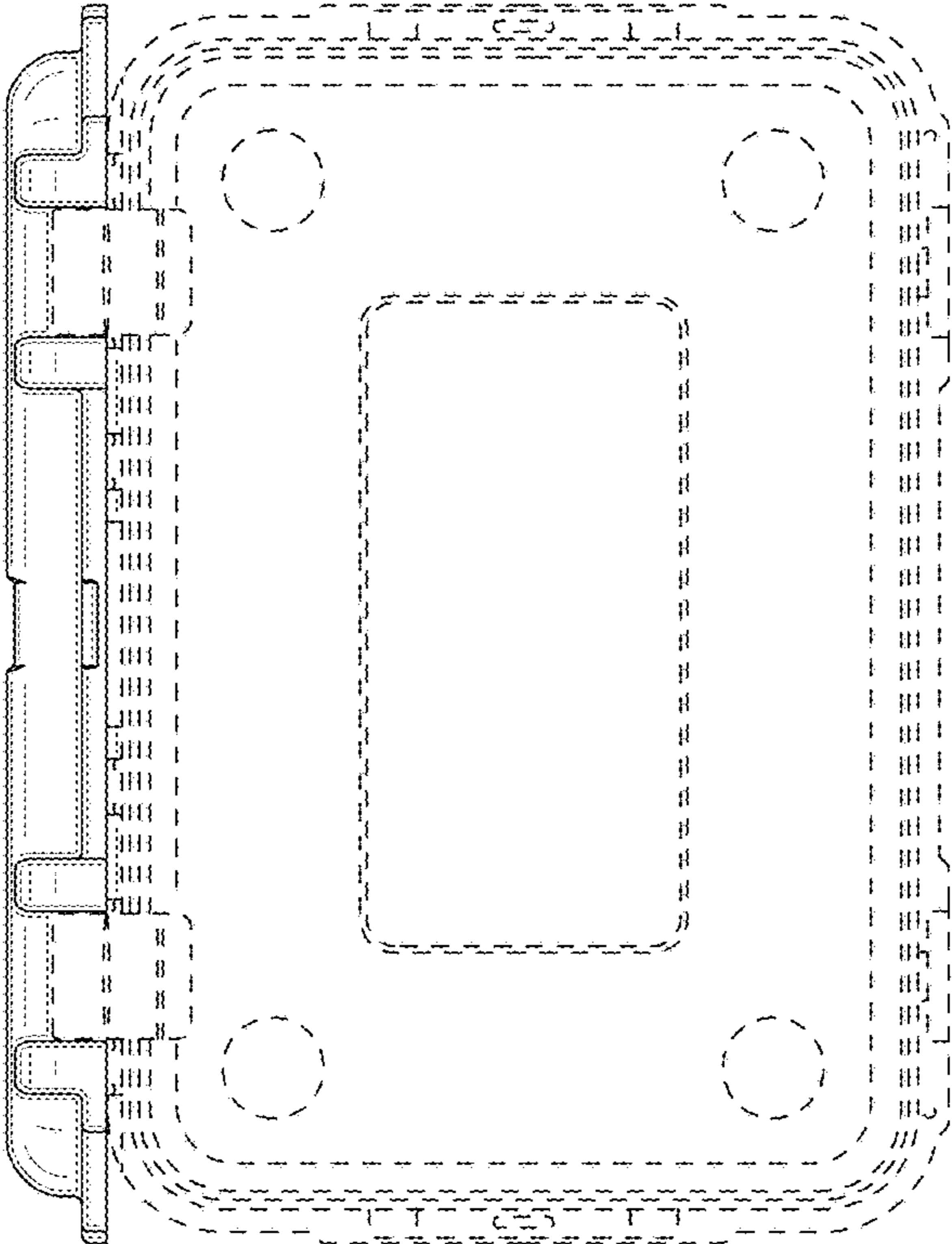


FIG. 6

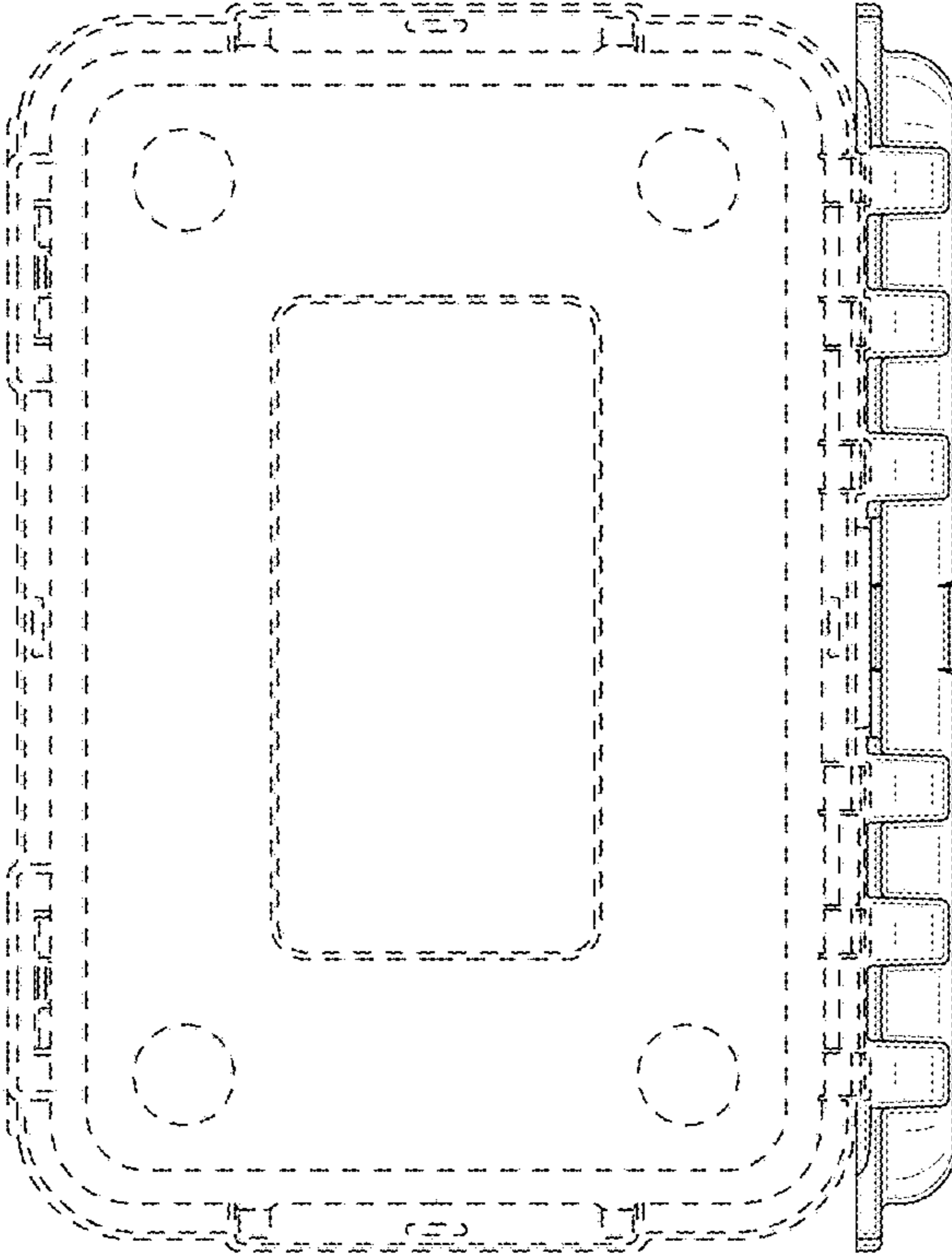


FIG. 7

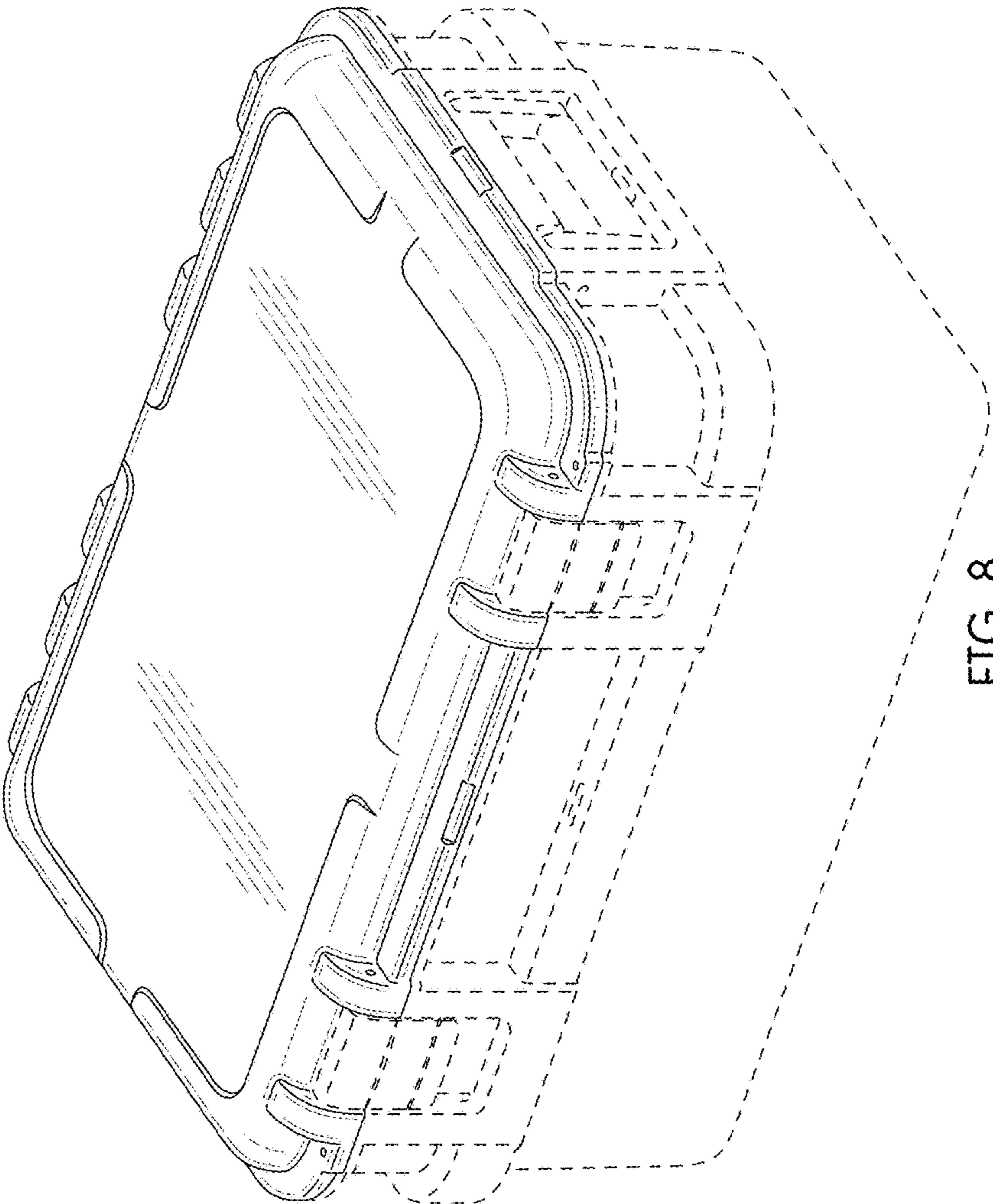


FIG. 8

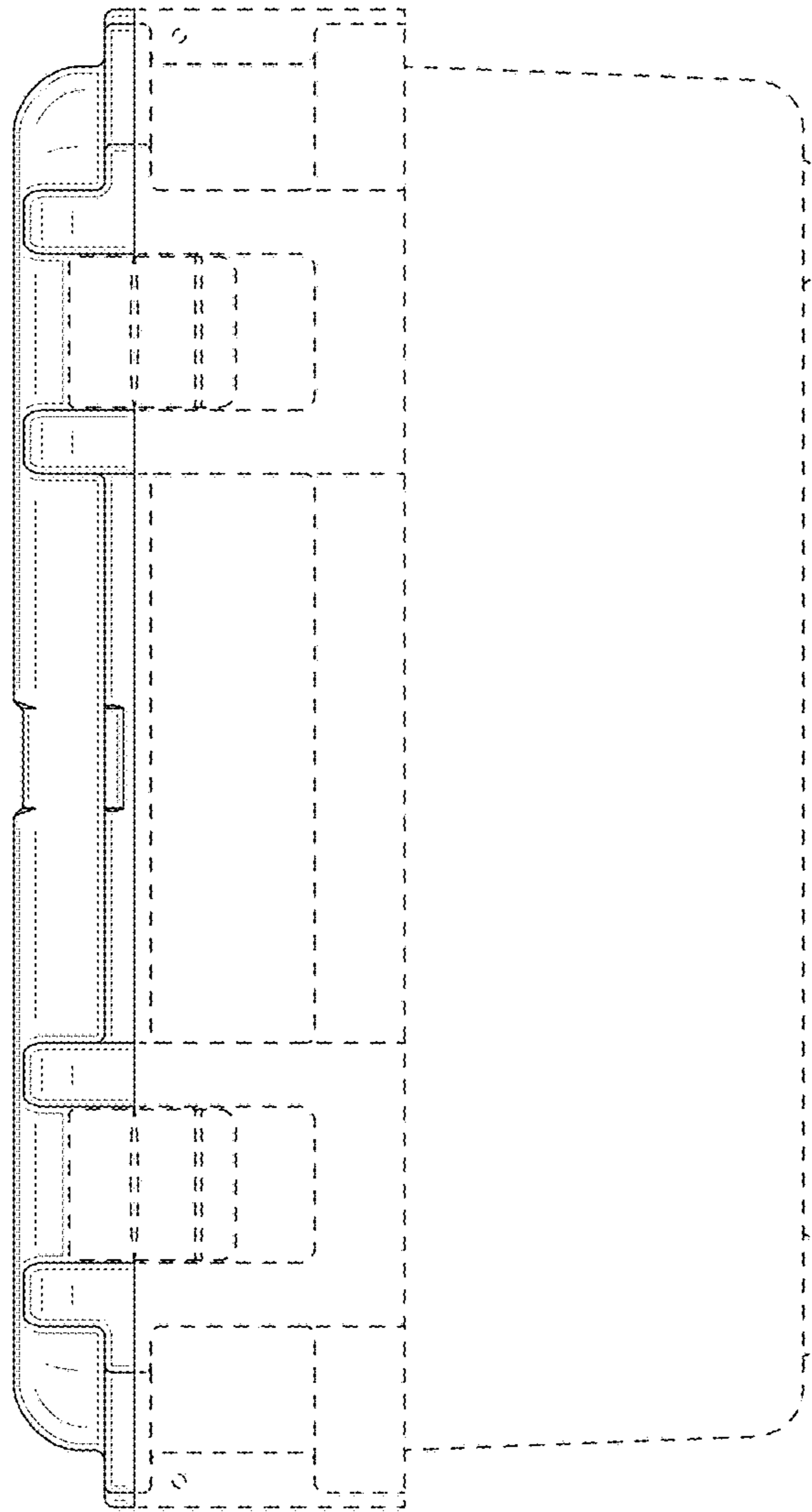


FIG. 9

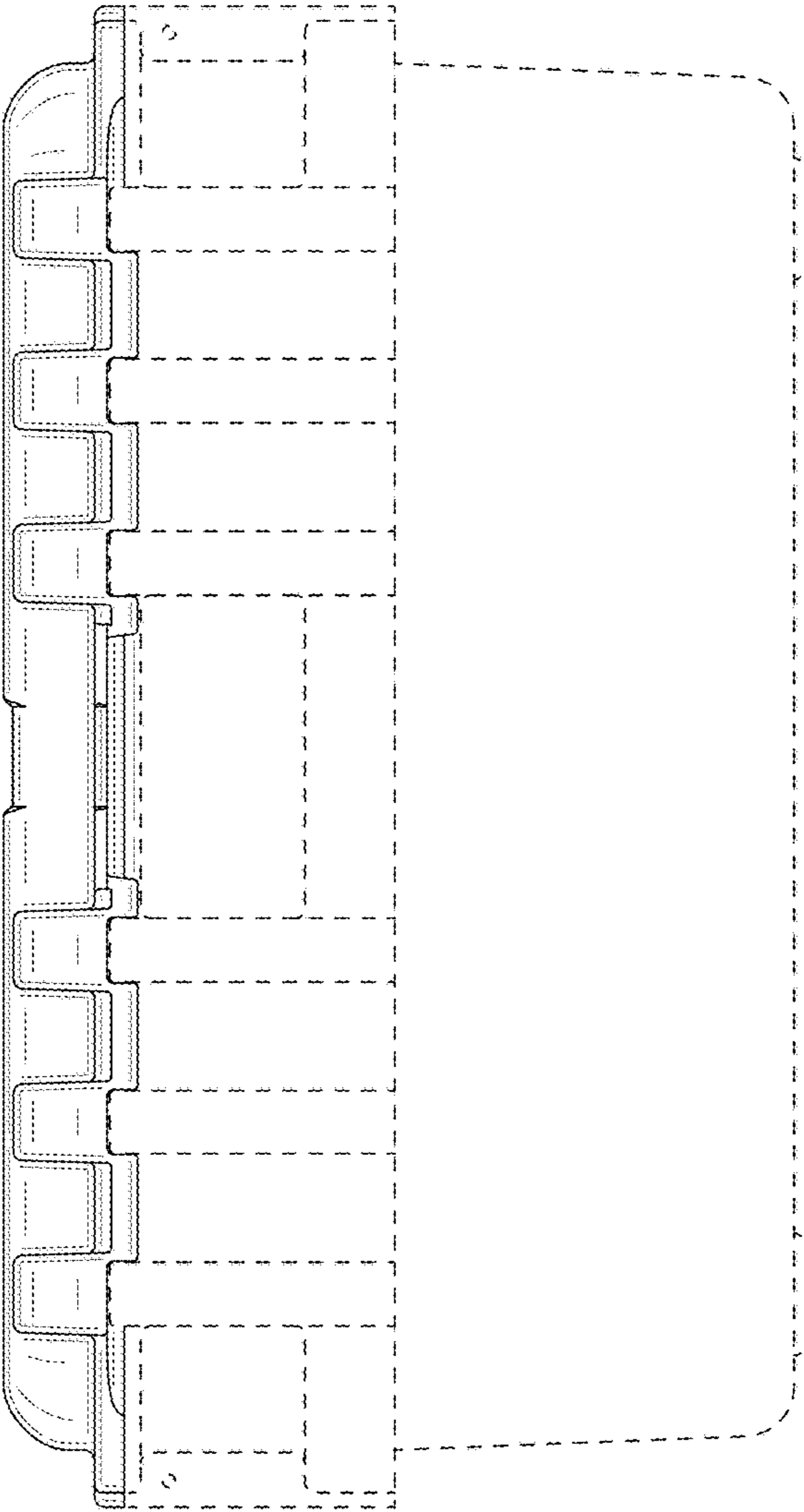


FIG. 10

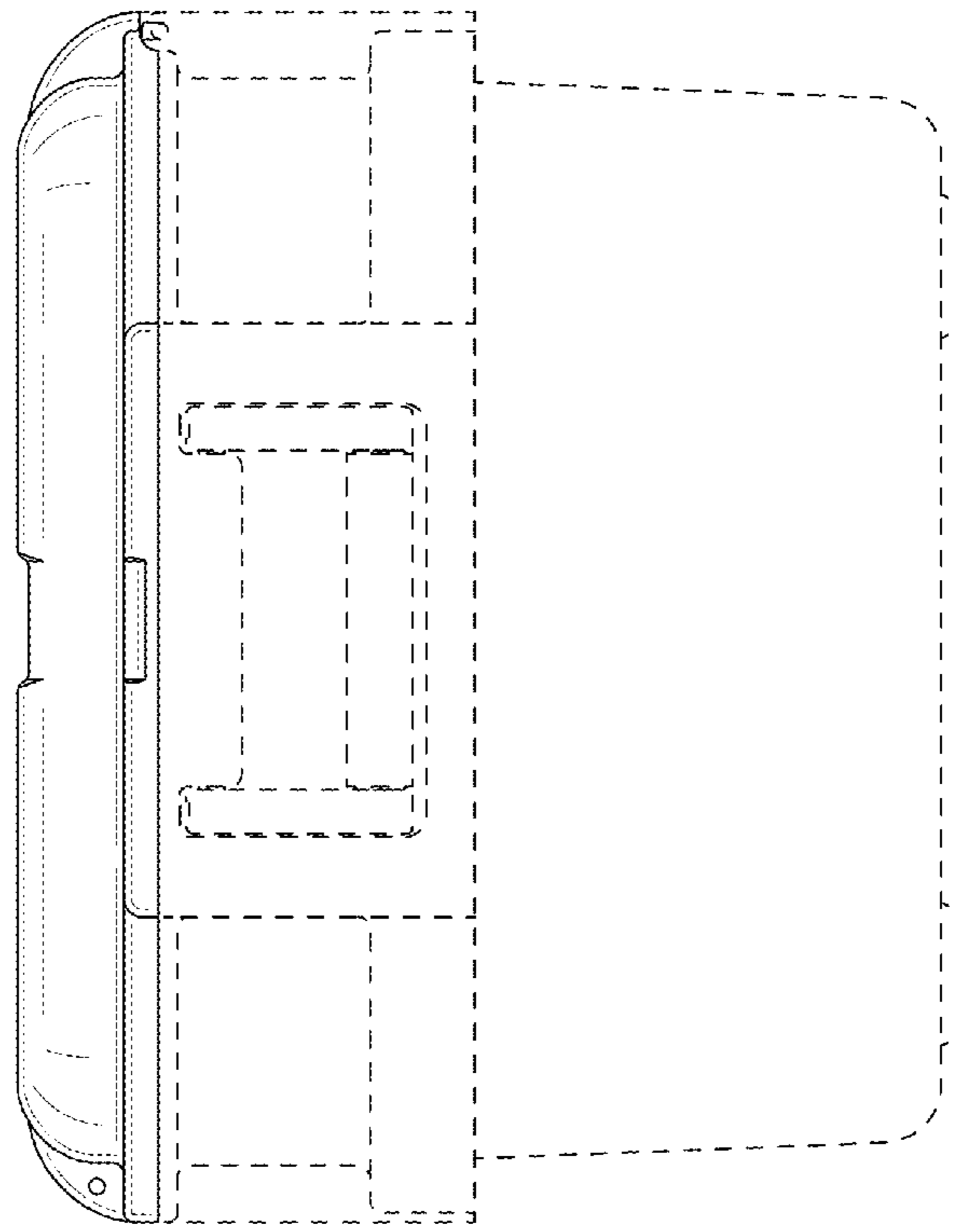


FIG. 11



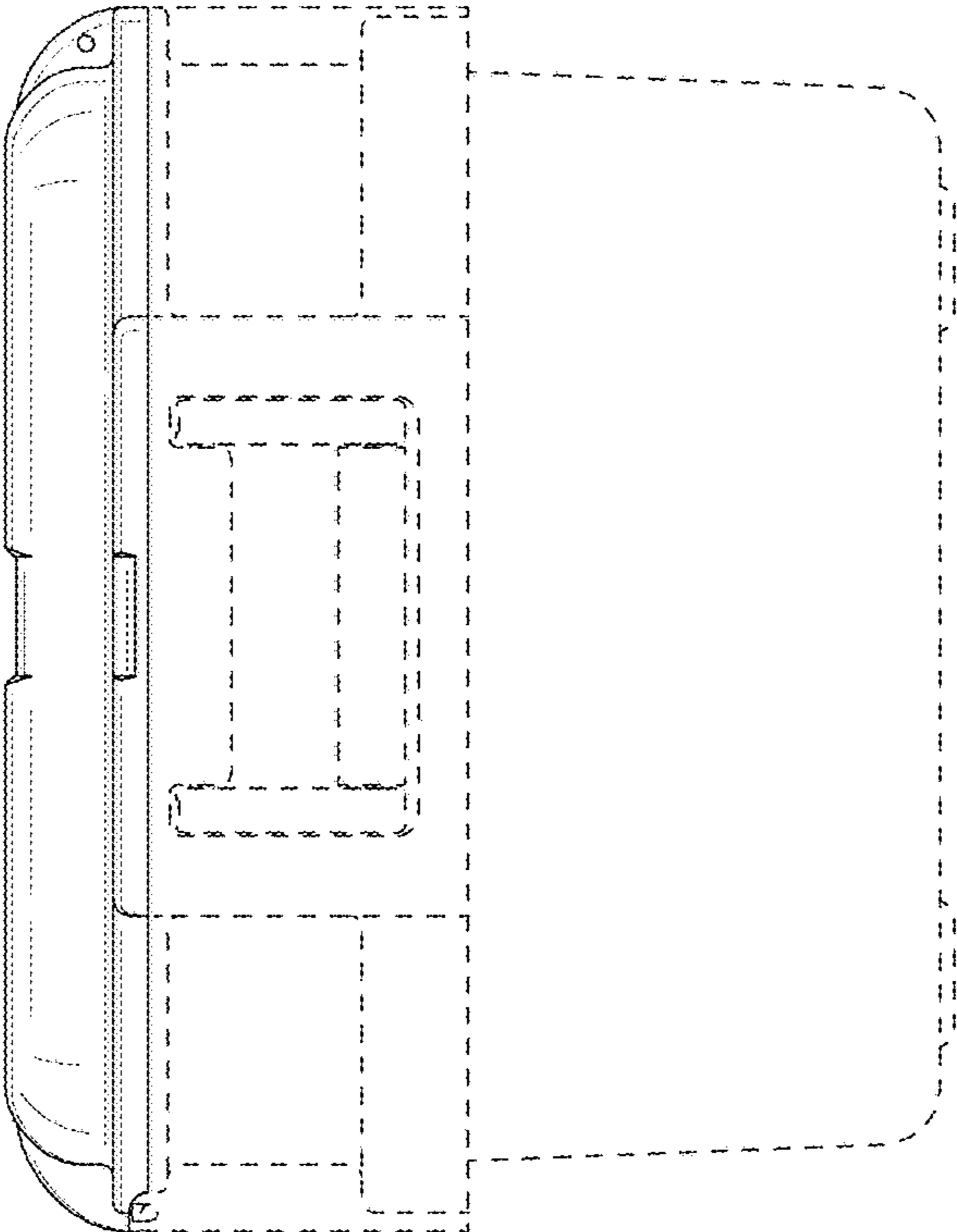


FIG. 12

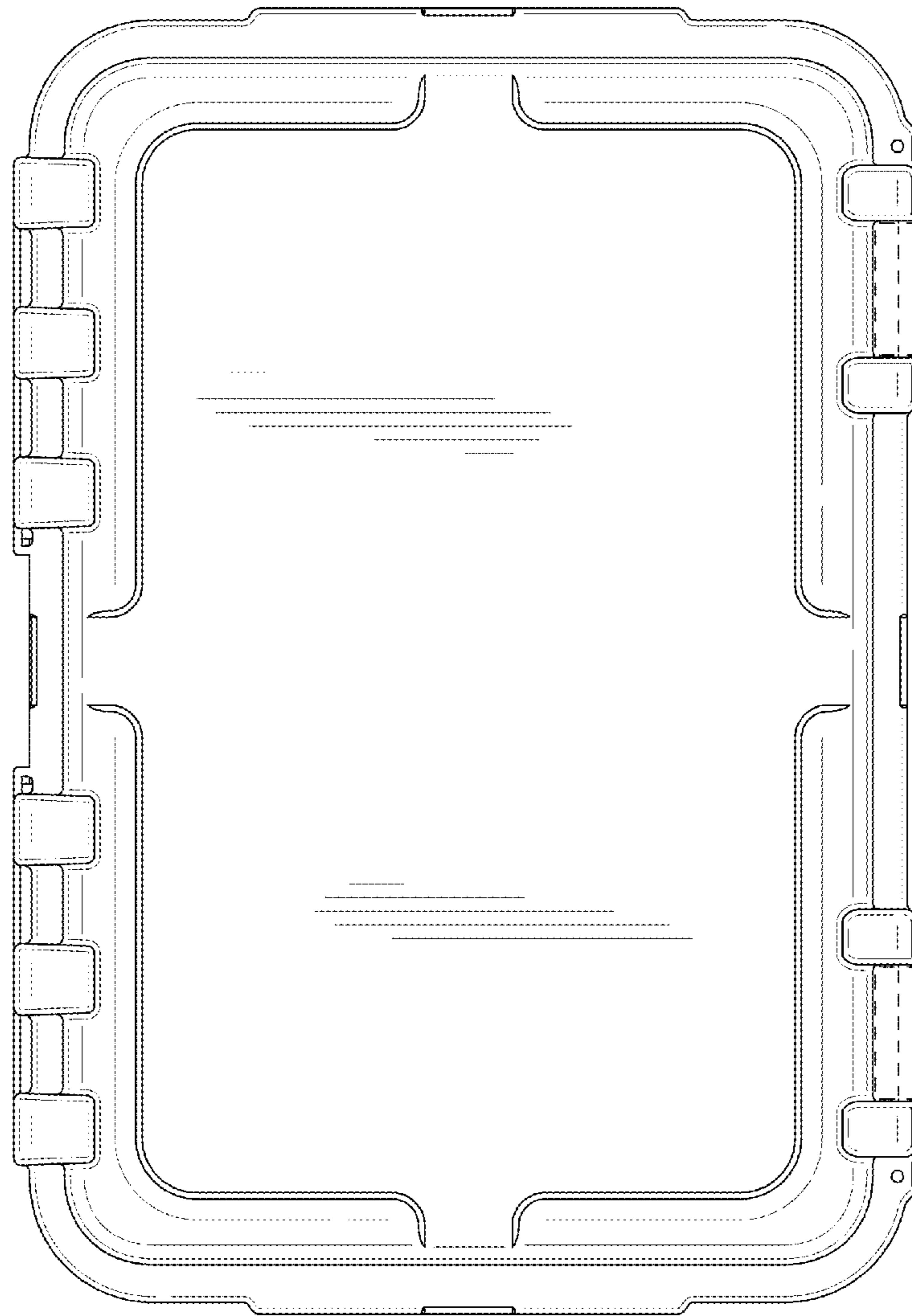


FIG. 13

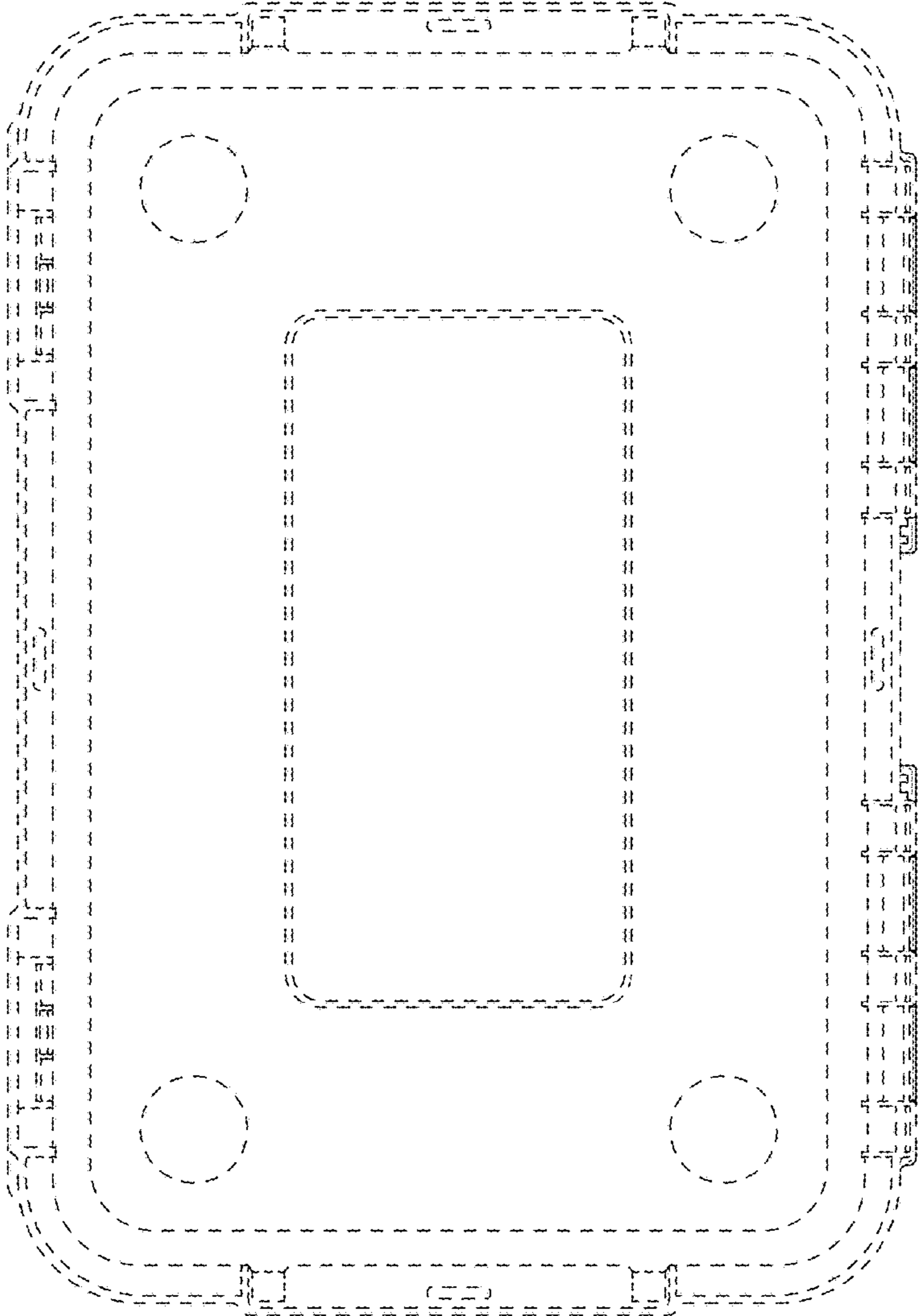


FIG. 14