



US00D872484S

(12) **United States Design Patent** (10) **Patent No.:** **US D872,484 S**
Cziraky (45) **Date of Patent:** **** Jan. 14, 2020**

(54) **STORAGE CONTAINER WITH CORNER SUPPORTS**

(71) Applicant: **CRAYOLA, LLC**, Easton, PA (US)
(72) Inventor: **David A. Cziraky**, Bethlehem, PA (US)
(73) Assignee: **CRAYOLA LLC**, Easton, PA (US)

(**) Term: **15 Years**
(21) Appl. No.: **29/662,536**
(22) Filed: **Sep. 6, 2018**

Related U.S. Application Data

(63) Continuation of application No. 15/678,980, filed on Aug. 16, 2017.
(51) **LOC (12) Cl.** **08-01**
(52) **U.S. Cl.**
USPC **D3/318**
(58) **Field of Classification Search**
USPC D3/318, 273, 285, 289, 279; D8/403
CPC A47B 95/00; A61L 2/26; A61B 50/33;
B65D 21/0233; B65D 21/02; B65D
21/00; B65D 21/04

See application file for complete search history.

(56) **References Cited**

U.S. PATENT DOCUMENTS

D710,614 S * 8/2014 Meersschaert D3/318
D718,936 S * 12/2014 Sanz D3/318
D728,239 S * 5/2015 Sanz D3/318
9,119,611 B2 * 9/2015 Super A61L 2/26
D783,856 S * 4/2017 Super D24/227

* cited by examiner

Primary Examiner — Holly H Baynham

(74) *Attorney, Agent, or Firm* — Shook, Hardy & Bacon L.L.P.

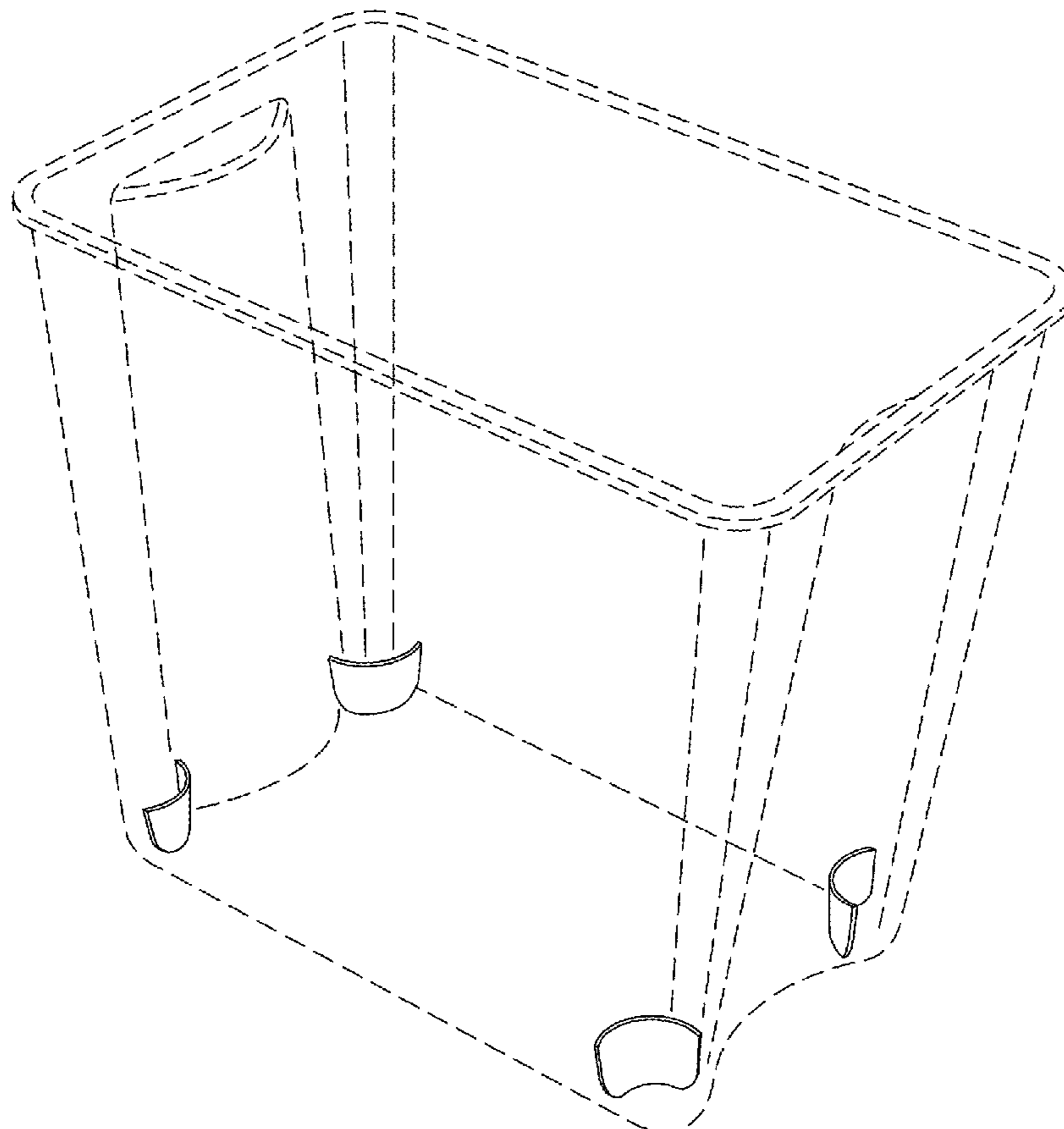
(57) **CLAIM**

The ornamental design for a storage container with corner supports, as shown and described.

DESCRIPTION

FIG. 1 is a perspective view of a storage container showing a new design;
FIG. 2 is a front view thereof;
FIG. 3 is a top view thereof;
FIG. 4 is a side view thereof; and,
FIG. 5 is a side view of a storage container showing my new design in an in-use configuration.
The evenly-spaced broken lines shown in the drawings are directed to environment, are for informational purposes only, and form no part of the claimed design.

1 Claim, 4 Drawing Sheets



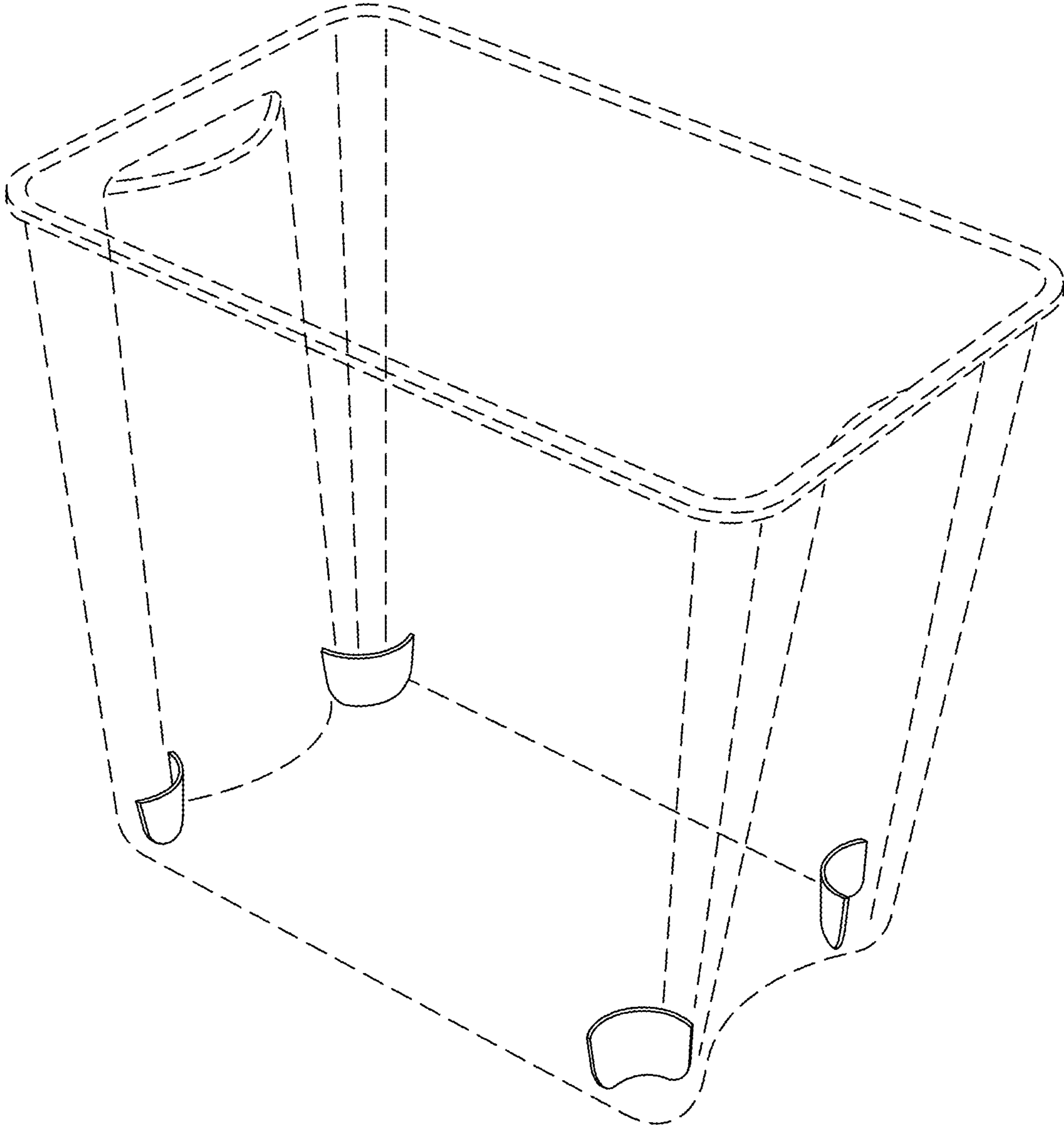


FIG. 1

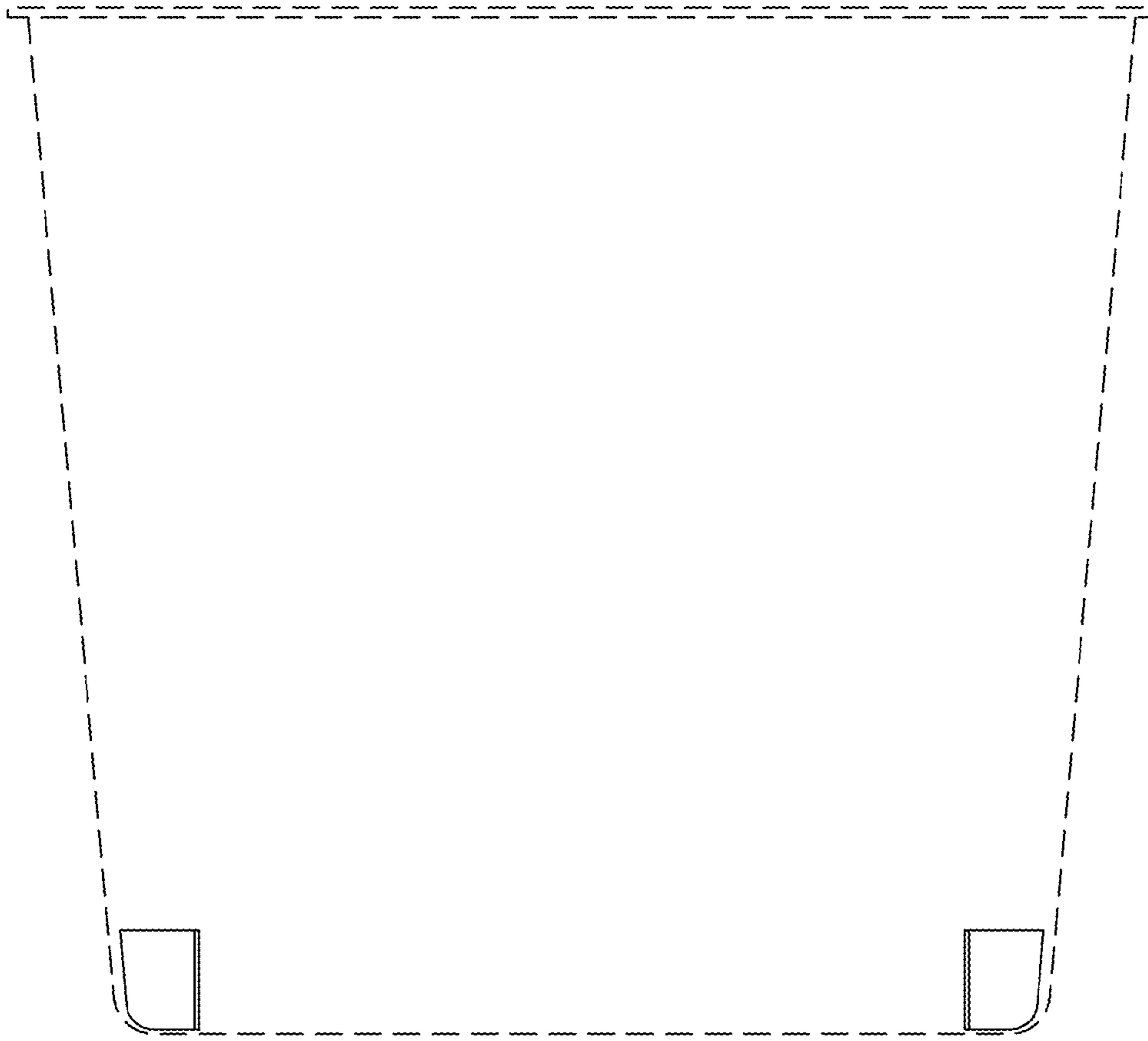


FIG. 2

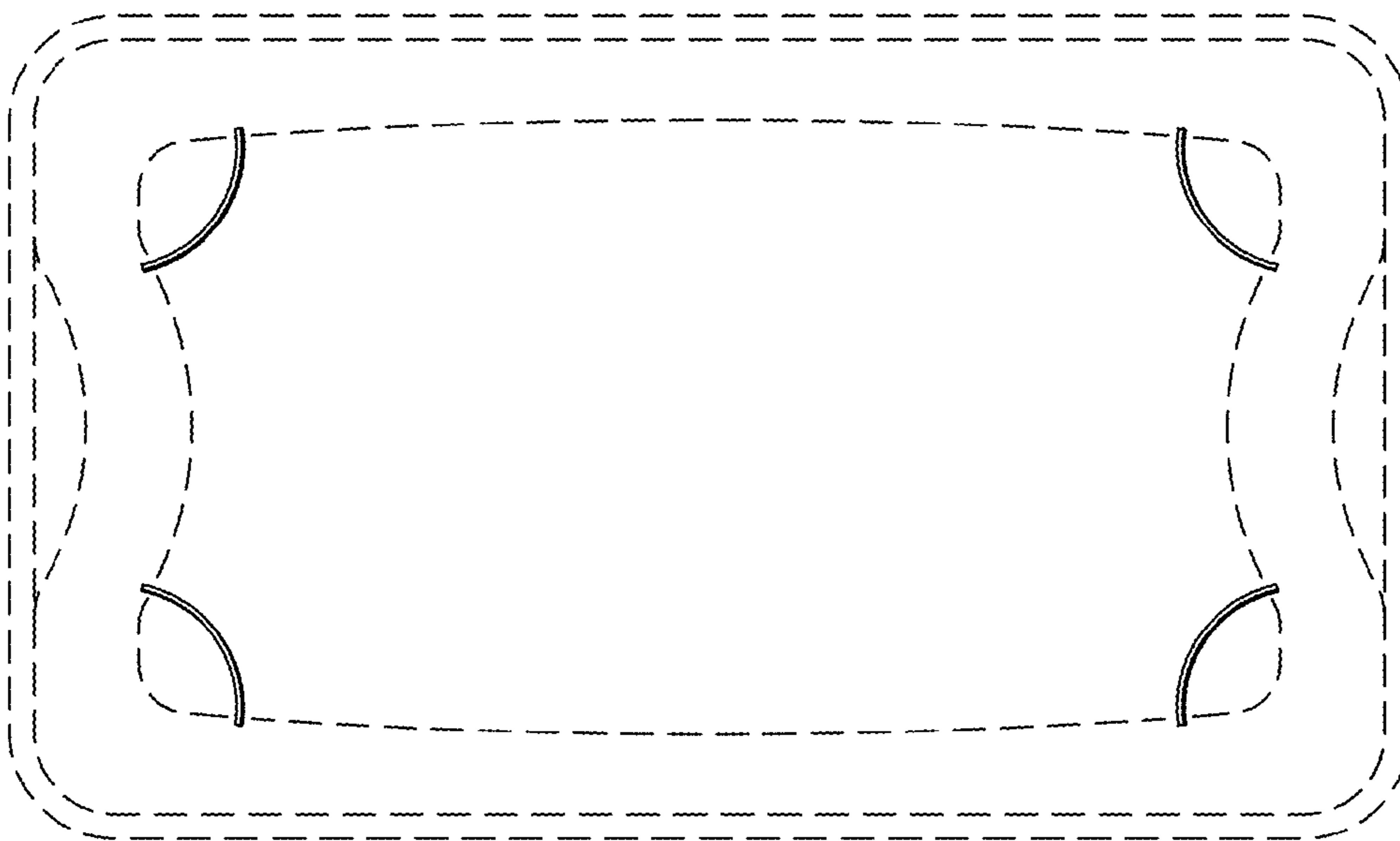


FIG. 3

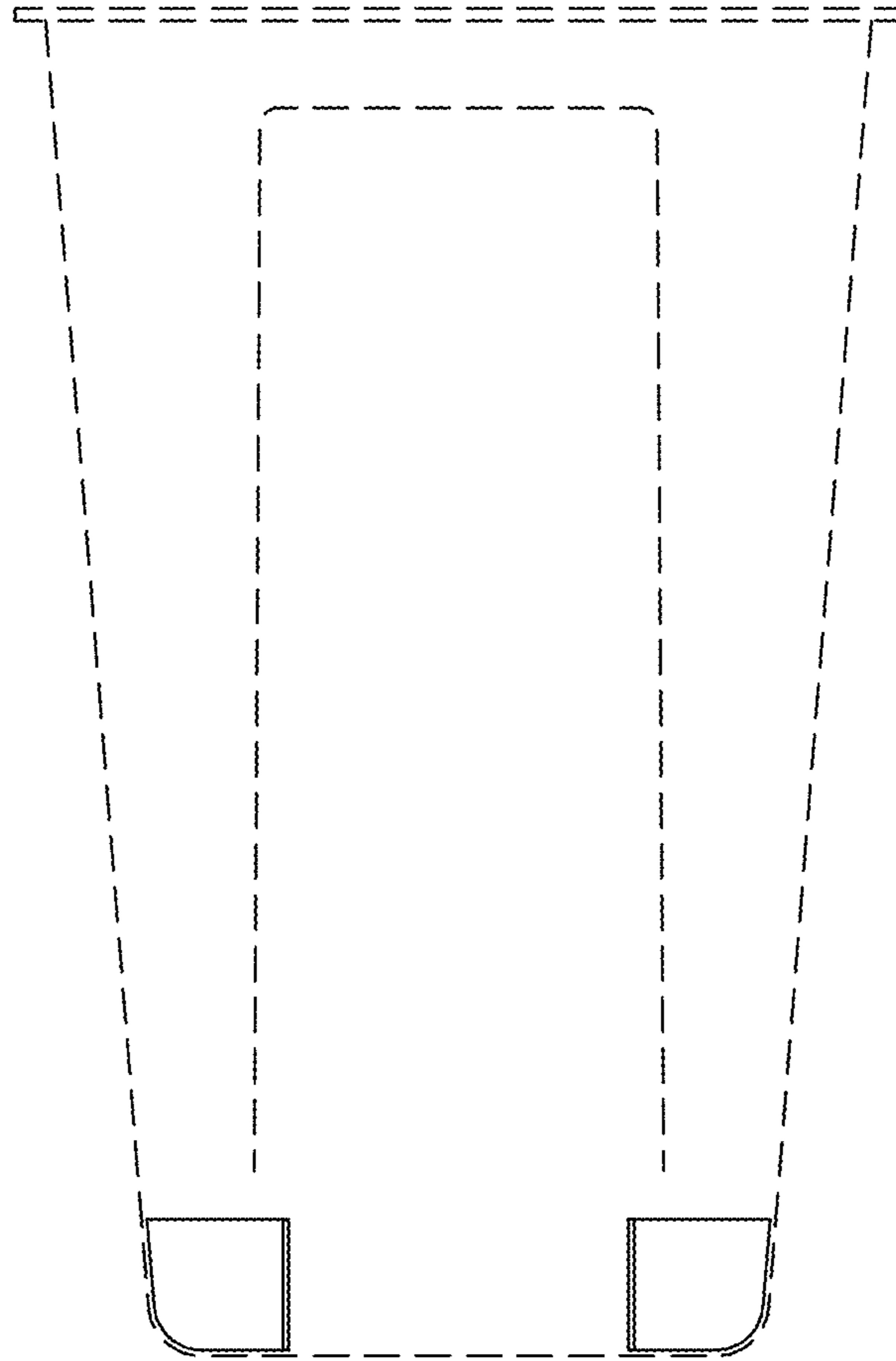


FIG. 4

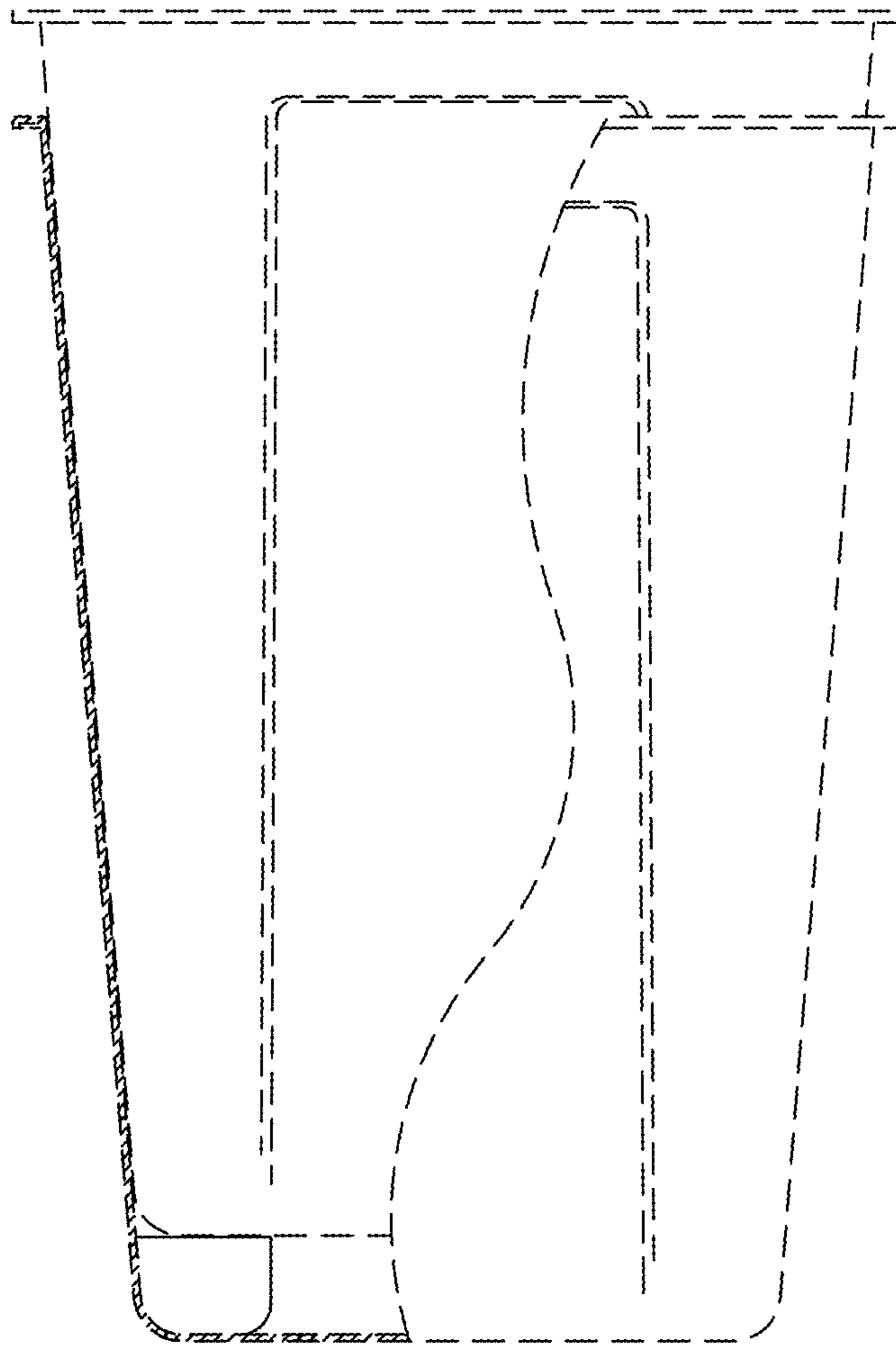


FIG. 5