



US00D872483S

(12) **United States Design Patent**
Fontier

(10) **Patent No.:** **US D872,483 S**

(45) **Date of Patent:** **** Jan. 14, 2020**

(54) **ATTACHED TRANSPARENT POCKET FOR A
PIECE OF CARRY-ON LUGGAGE**

(71) Applicant: **Malcolm Fontier**, Brooklyn, NY (US)

(72) Inventor: **Malcolm Fontier**, Brooklyn, NY (US)

(**) Term: **15 Years**

(21) Appl. No.: **29/637,879**

(22) Filed: **Feb. 22, 2018**

(51) **LOC (12) Cl.** **03-01**

(52) **U.S. Cl.**

USPC **D3/318**

(58) **Field of Classification Search**

USPC D3/201, 205, 226, 247, 250, 273, 274,
D3/276, 278, 283, 284, 285, 289, 290,
D3/299, 301, 905, 243, 318; D12/416,
D12/419, 424

CPC A45C 3/00; A45C 3/004; A45C 2003/008;
A45C 5/06; A45C 3/04; A45C 13/00

See application file for complete search history.

(56) **References Cited**

U.S. PATENT DOCUMENTS

4,960,204	A	10/1990	Young et al.	
D361,662	S *	8/1995	King	D3/276
D501,997	S	2/2005	Hassett	
D509,959	S *	9/2005	Nykoluk	D3/289
D526,484	S *	8/2006	Flint	D3/283
D543,031	S *	5/2007	Mackay	D3/287
D560,361	S *	1/2008	Huang	D3/301
D625,102	S	10/2010	Jacobs	
D647,301	S *	10/2011	Sosnovsky	D3/283
D648,533	S *	11/2011	Sosnovsky	D3/283
D698,150	S *	1/2014	Sabounjian	D3/285
D739,654	S *	9/2015	Brouard	D3/276
D776,921	S *	1/2017	Bennetts	D3/232
D832,571	S *	11/2018	Franklin-Daisey	D3/201

2004/0055679 A1* 3/2004 Gordon A45C 11/24
150/112

2006/0086628 A1* 4/2006 Deutschendorf A45C 3/004
206/287.1

2010/0018820 A1 1/2010 Sartee

OTHER PUBLICATIONS

Youtube, "The Getaway Bag by Malcolm Fontier", uploaded Jan. 24, 2011. (<https://www.youtube.com/watch?v=D9e3m6rixF8>) (Year: 2011).*

Amazon, "New Emme Petite: TSA approved, premium quality travel cosmetic and toiletry bag", First reviewed Aug. 16, 2016. (<https://www.amazon.com/NEW-EMME-Petite-approved-compartments/dp/B0110E33EW>) (Year: 2016).*

* cited by examiner

Primary Examiner — April Rivas

(74) *Attorney, Agent, or Firm* — Keeley DeAngelo LLP;
W Scott Keeley

(57) **CLAIM**

The ornamental design for an attached transparent pocket for a piece of carry-on luggage, as shown and described.

DESCRIPTION

FIG. 1 is a rear right perspective view of an attached transparent pocket for a piece of carry-on luggage, the transparent pocket contained inside the luggage;

FIG. 2 is a rear right perspective view thereof, the transparent pocket exposed;

FIG. 3 is a left side view thereof;

FIG. 4 is a right side view thereof;

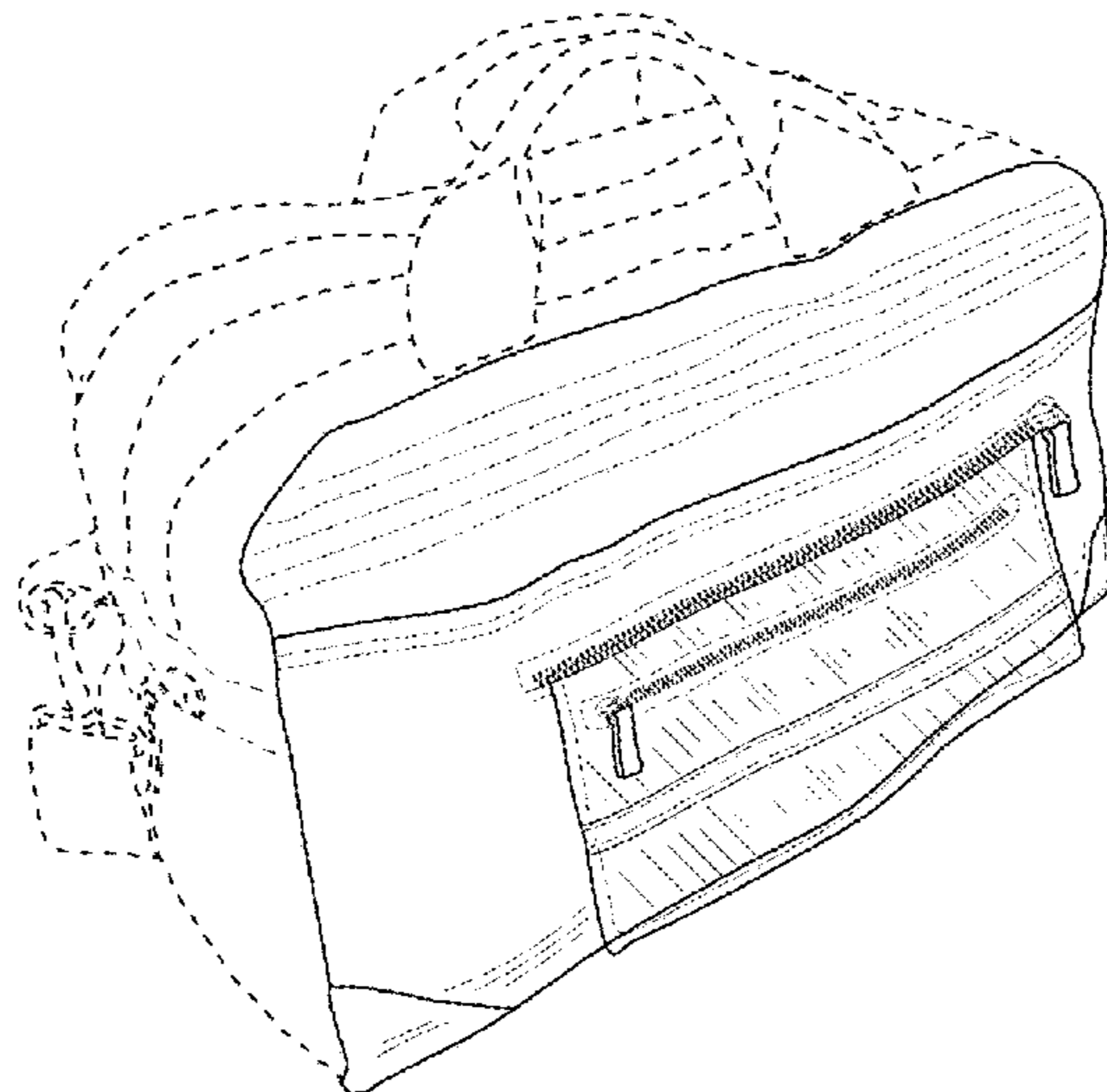
FIG. 5 is a front view thereof;

FIG. 6 is a top plan view thereof, and,

FIG. 7 is a bottom plan view thereof.

The broken lines illustrate portions of the attached transparent pocket for a piece of carry-on luggage and form no part of the claimed design.

1 Claim, 7 Drawing Sheets



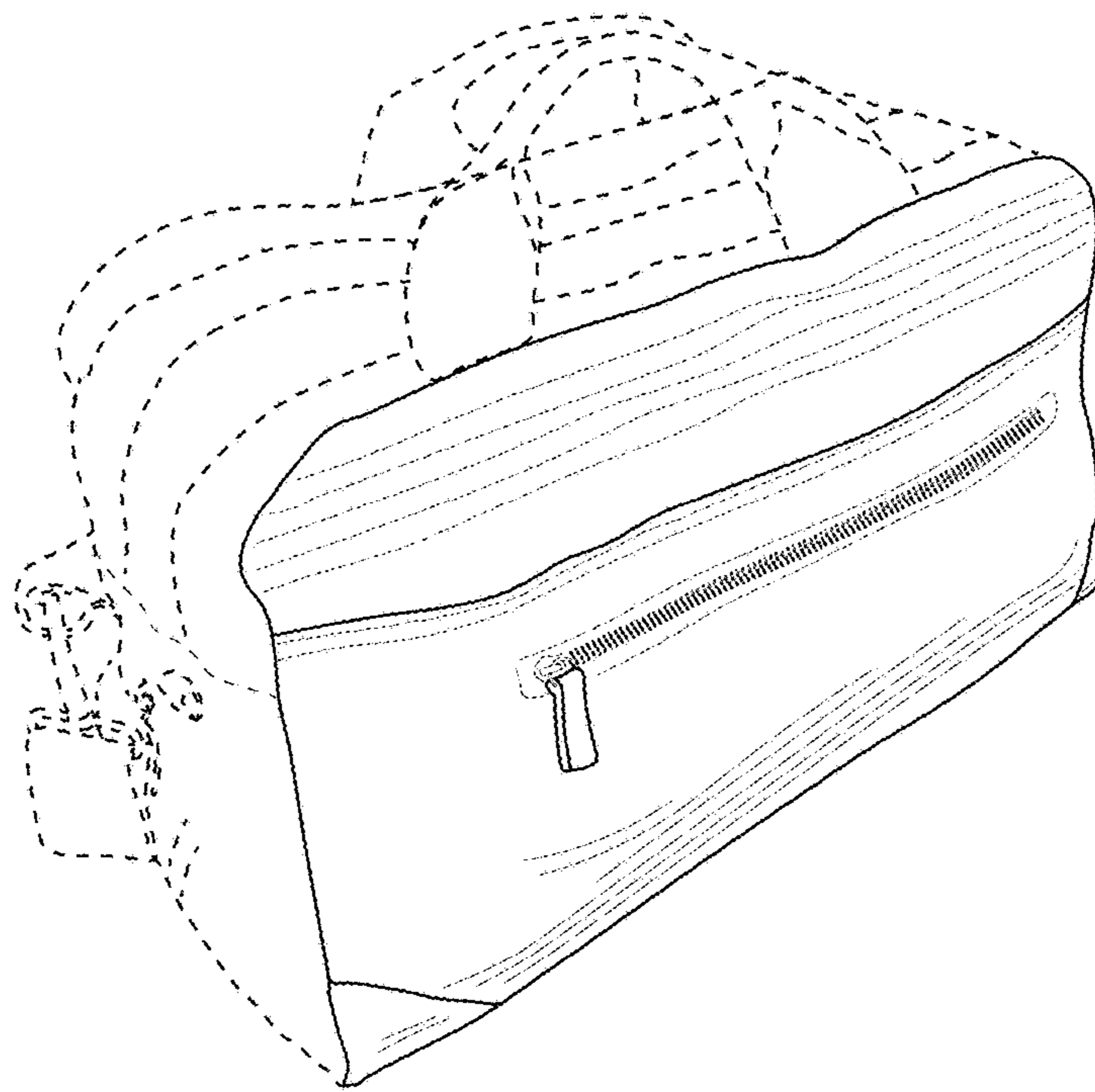


Figure 1

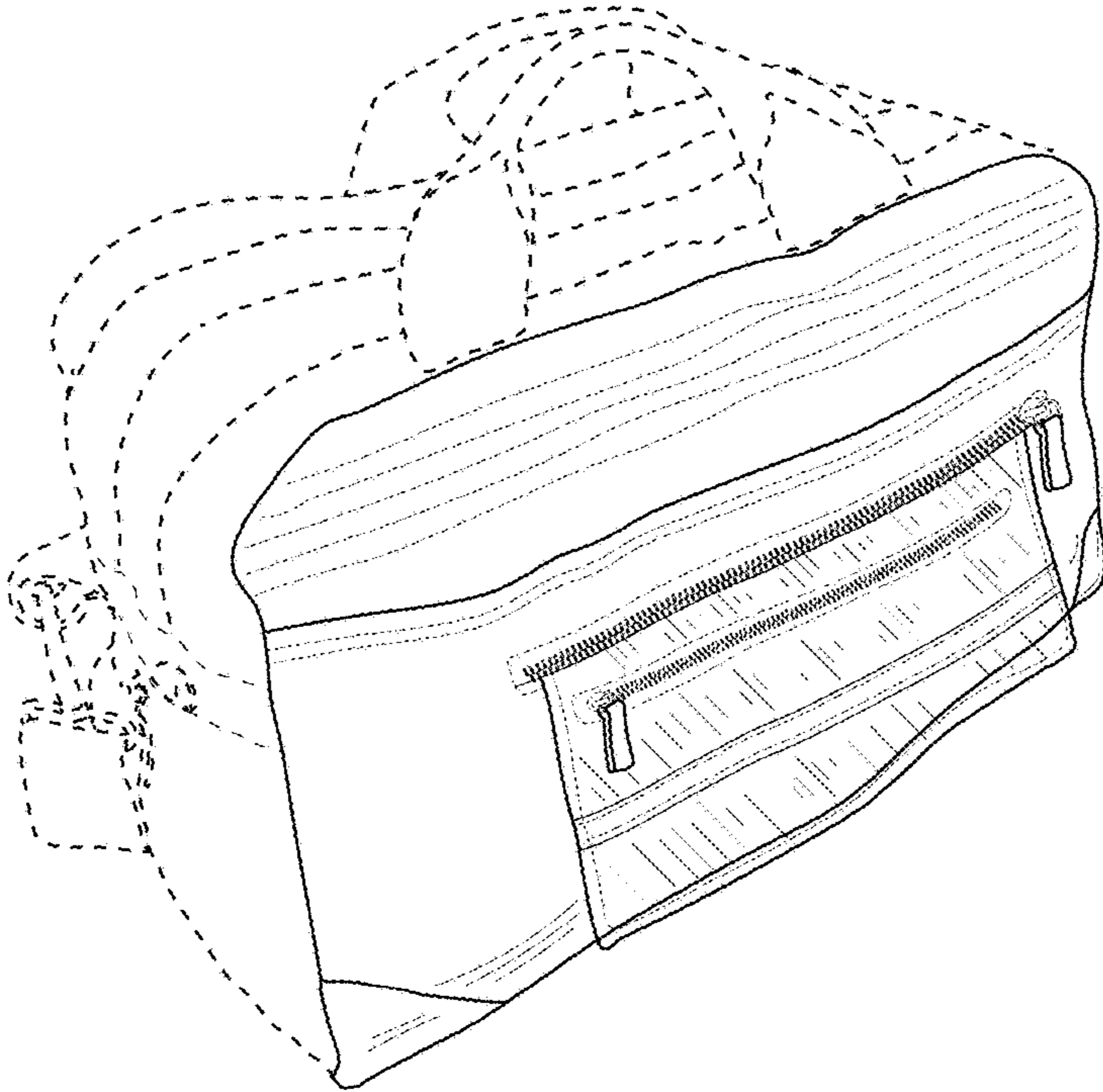


Figure 2

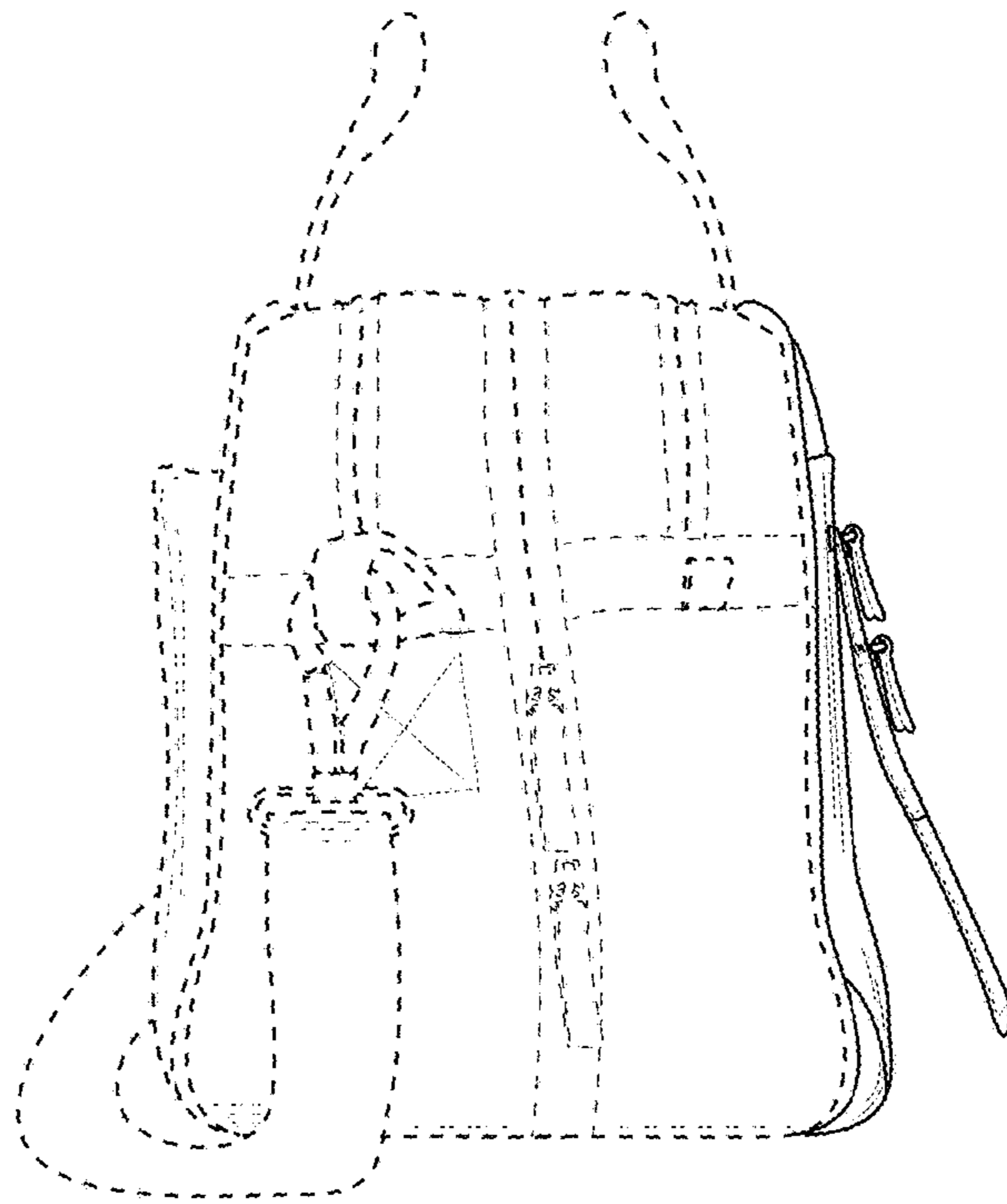


Figure 3

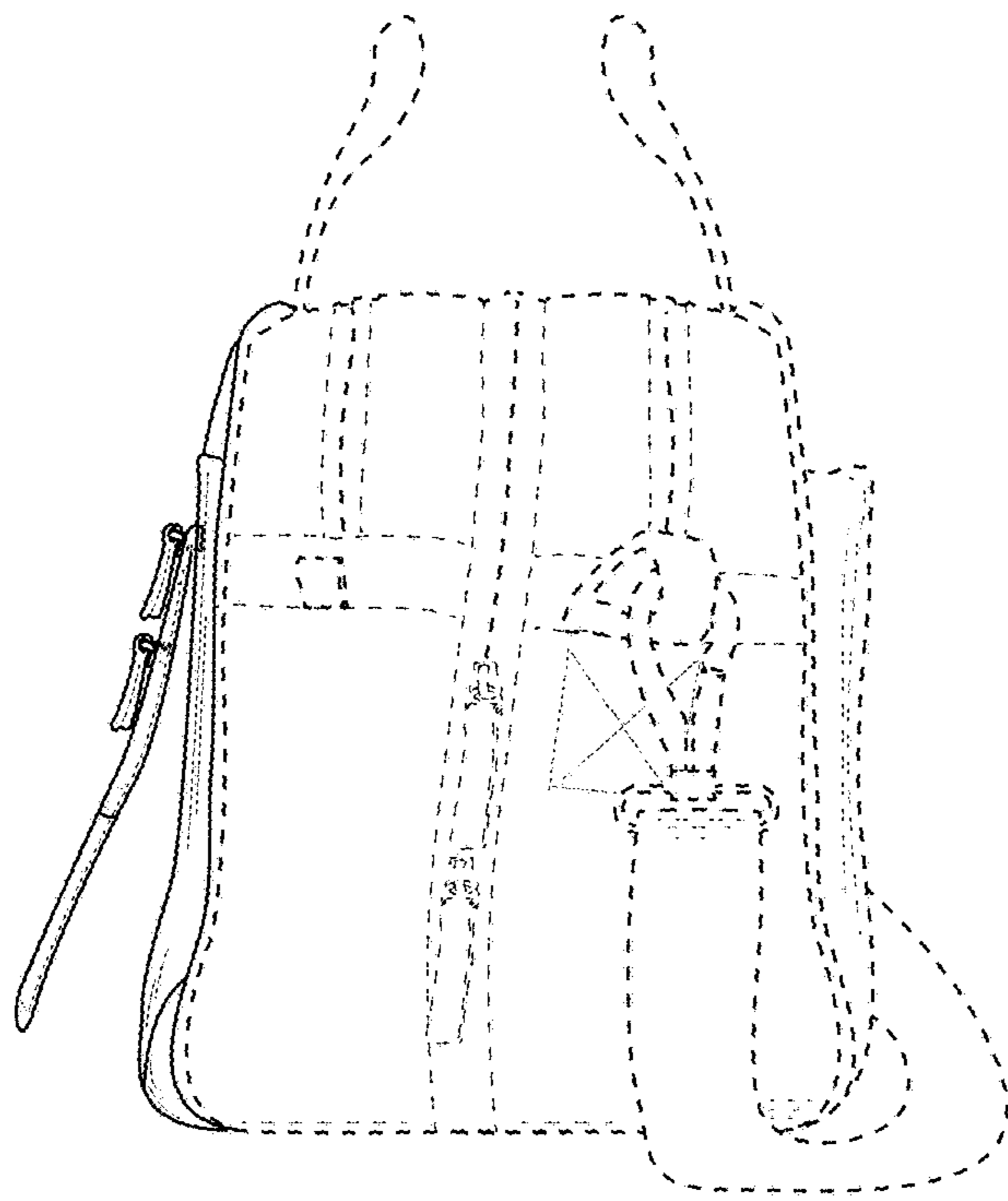


Figure 4

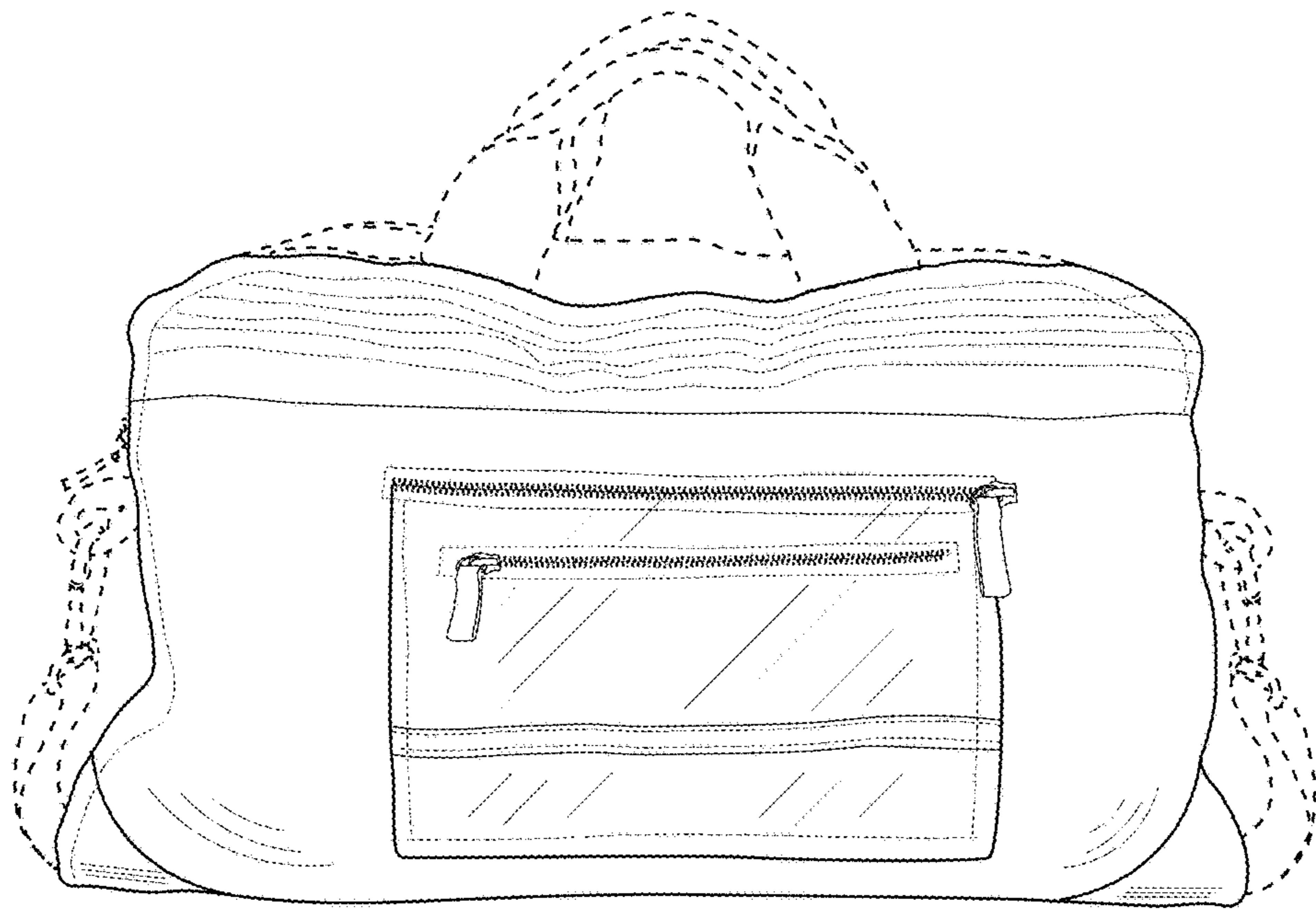


Figure 5

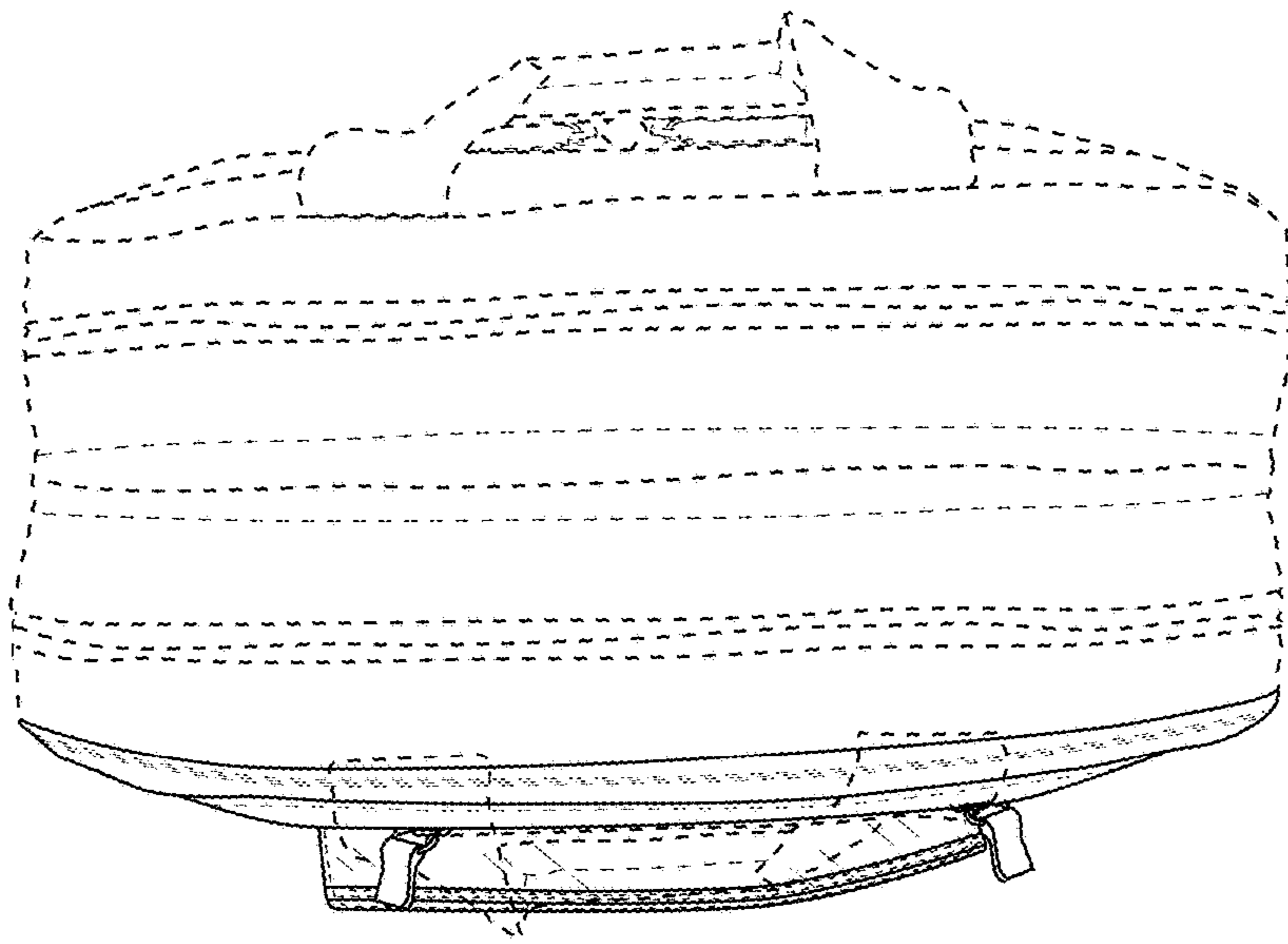


Figure 6

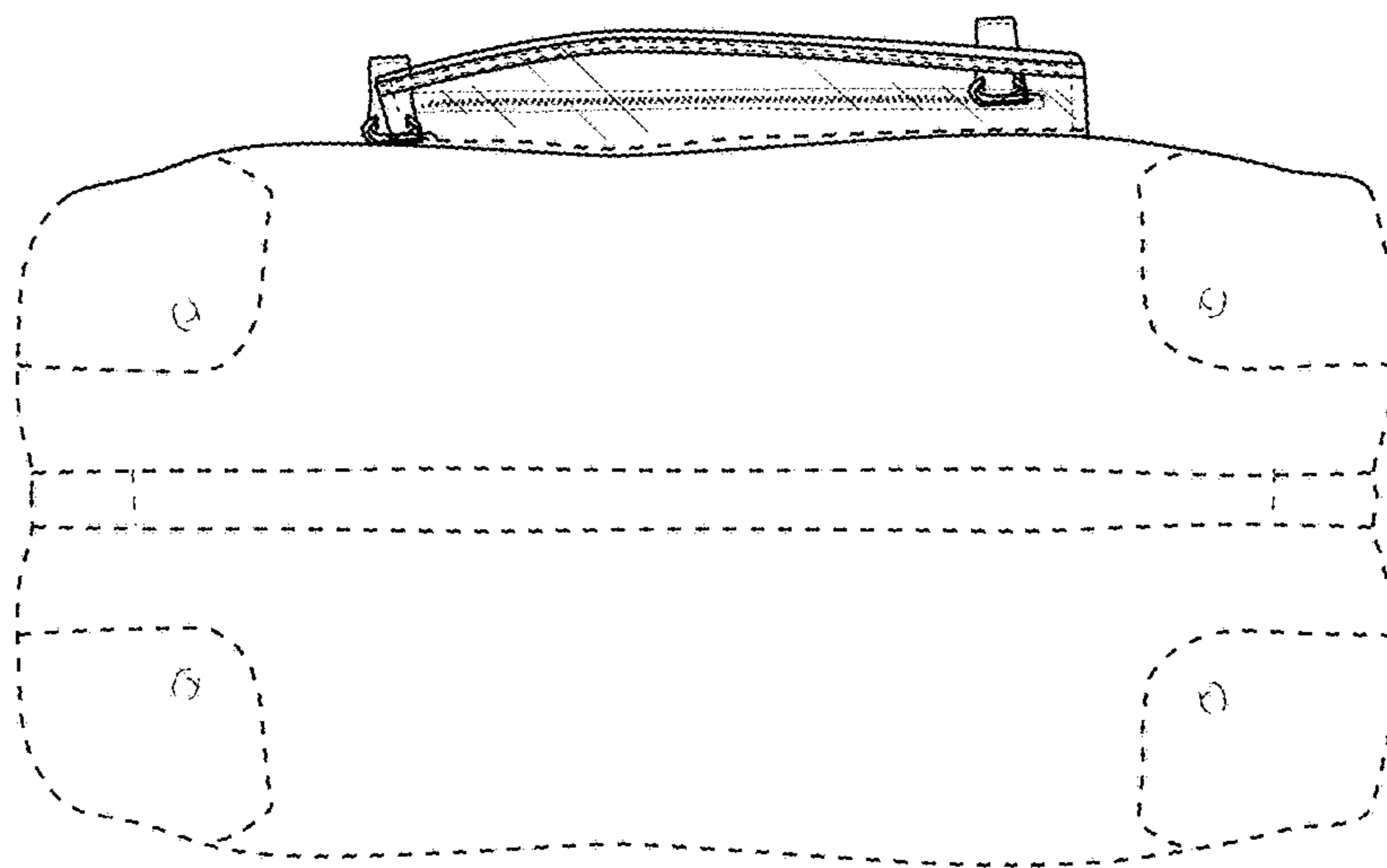


Figure 7