



US00D872481S

(12) **United States Design Patent** (10) **Patent No.:** **US D872,481 S**
Brundage (45) **Date of Patent:** **** *Jan. 14, 2020**

(54) **FITNESS AND TRAVEL POUCH**

- (71) Applicant: **Brenda Brundage**, Ogden, UT (US)
- (72) Inventor: **Brenda Brundage**, Ogden, UT (US)
- (*) Notice: This patent is subject to a terminal disclaimer.
- (**) Term: **15 Years**
- (21) Appl. No.: **29/658,955**
- (22) Filed: **Aug. 3, 2018**

Related U.S. Application Data

- (63) Continuation of application No. 29/540,455, filed on Sep. 24, 2015, now Pat. No. Des. 828,032, which is a continuation-in-part of application No. 29/535,346, filed on Aug. 5, 2015, which is a continuation of application No. 14/250,285, filed on Apr. 10, 2014, now abandoned, which is a continuation of application No. 13/109,789, filed on May 17, 2011, now abandoned.
- (51) **LOC (12) Cl.** **03-01**
- (52) **U.S. Cl.**
USPC **D3/303**
- (58) **Field of Classification Search**
USPC D3/228, 224, 215, 221, 269, 299, 273,
D3/276, 289, 293, 290, 301, 303, 318,
D3/319; D9/702, 703, 705, 707, 709,
D9/710, 433, 901
CPC A47C 7/62; A47C 1/14
See application file for complete search history.

(56) **References Cited**

U.S. PATENT DOCUMENTS

- | | | | |
|---------------|---------|------------------|----------------------------|
| 315,303 A | 4/1885 | Lambert | |
| 2,175,327 A | 10/1939 | Thornhill et al. | |
| 2,474,495 A * | 6/1949 | Pollak | A45C 1/04
190/903 |
| 2,861,735 A | 11/1958 | Faltin | |
- (Continued)

OTHER PUBLICATIONS

U.S. Appl. No. 29/535,346, filed Aug. 5, 2015, Brundage.
(Continued)

Primary Examiner — Holly E Thurman
(74) *Attorney, Agent, or Firm* — Workman Nydegger

(57) **CLAIM**

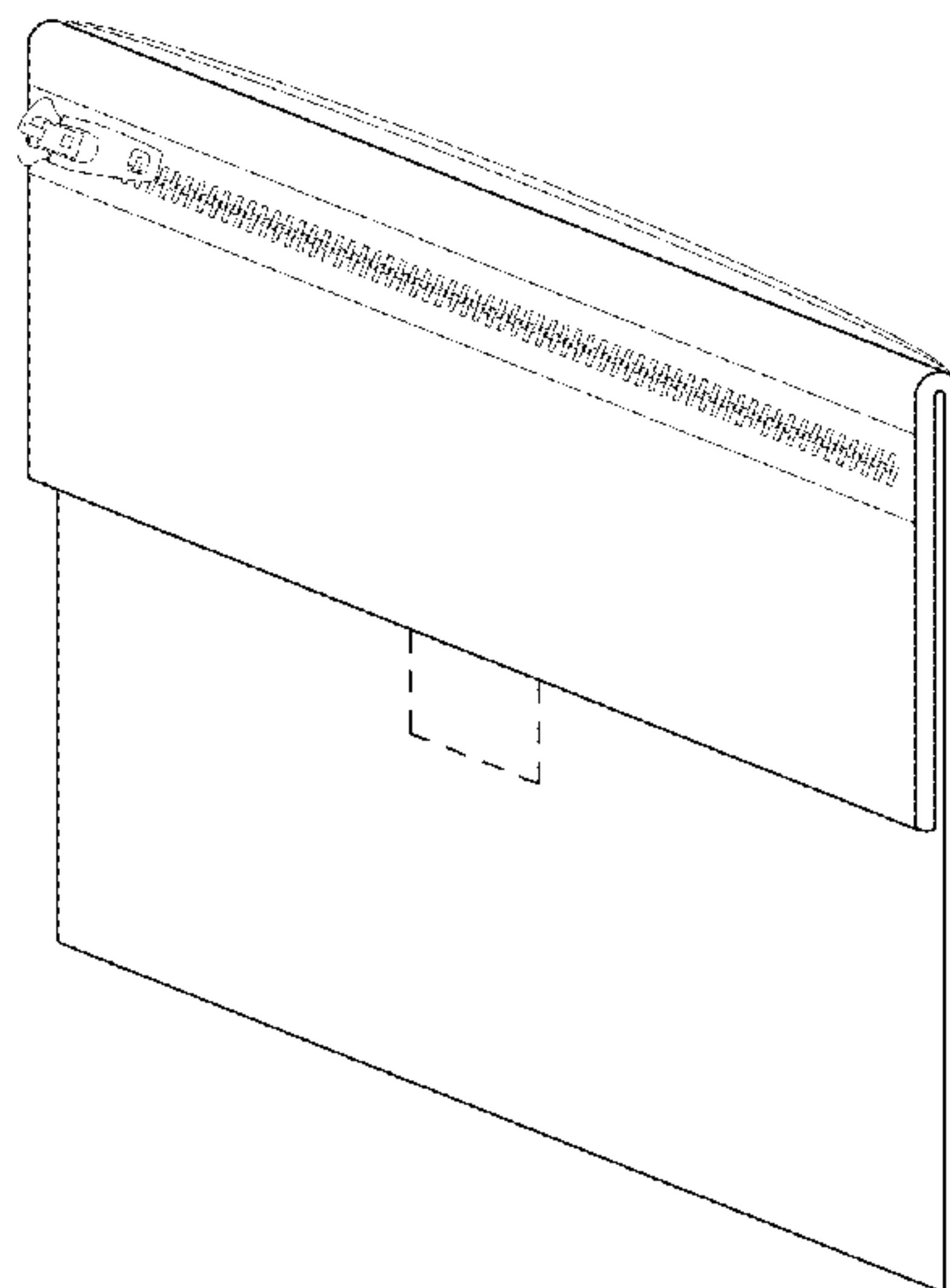
The ornamental design for a fitness and travel pouch, as shown and described.

DESCRIPTION

FIG. 1 is a back perspective view of the fitness and travel pouch;
 FIG. 2 is a front perspective view of the fitness and travel pouch, as shown in FIG. 1 with the inside zipper shown in broken lines;
 FIG. 3 is a front open view of the fitness and travel pouch, as shown in FIG. 2;
 FIG. 4 is a back open view of the fitness and travel pouch, as shown in FIG. 1;
 FIG. 5 is a back closed view of the fitness and travel pouch, as shown in FIG. 2;
 FIG. 6 is a front closed view of the fitness and travel pouch, as shown in FIG. 1;
 FIG. 7 is a top view of the fitness and travel pouch, as shown in FIG. 2 with the inside zipper shown in broken lines;
 FIG. 8 is a bottom view of the fitness and travel pouch, as shown in FIG. 2;
 FIG. 9 is a right side elevational view of the fitness and travel pouch, as shown in FIG. 2; and,
 FIG. 10 is a left side elevational view of the fitness and travel pouch, as shown in FIG. 2.

The broken lines in the figures are included for the purpose of illustrating environmental subject matter and form no part of the claimed design.

1 Claim, 6 Drawing Sheets



(56)

References Cited

U.S. PATENT DOCUMENTS

2,961,735 A 11/1960 Mohring
 3,051,130 A 8/1962 Morris
 3,741,376 A 6/1973 Brown et al.
 4,602,390 A 7/1986 Morera et al.
 4,815,510 A 3/1989 Edelist
 D307,826 S 5/1990 Makrauer
 5,207,254 A 5/1993 Fromm
 D363,603 S 10/1995 Leveen
 D384,808 S 10/1997 Carretta
 5,724,698 A * 3/1998 Mondragon A47K 10/02
 15/209.1
 5,893,504 A 4/1999 Baronian et al.
 6,004,033 A 12/1999 Cirone
 6,035,449 A 3/2000 Galler et al.
 D422,210 S 4/2000 Sturkie
 D423,211 S 4/2000 Giliberti
 D424,787 S 5/2000 Hinton et al.
 D429,881 S 8/2000 Gray
 D430,534 S 9/2000 Golenz
 6,112,961 A 9/2000 Phillips
 6,209,769 B1 4/2001 Seals et al.
 6,643,845 B2 11/2003 O'Dea et al.
 D483,941 S 12/2003 Fassett
 D485,982 S 2/2004 Merkel et al.
 6,691,321 B1 2/2004 Matut
 D490,238 S * 5/2004 Bristel D3/226
 D522,750 S 6/2006 Girod
 D531,407 S 11/2006 Montague
 D533,718 S 12/2006 Goldberg
 D547,674 S 7/2007 Donovan
 D572,006 S 7/2008 Preston
 D589,702 S 4/2009 Hale
 D590,440 S 4/2009 Taute
 7,621,001 B2 11/2009 Ebihara
 D622,957 S 9/2010 Marshall
 D630,016 S 1/2011 Rutjes
 D651,800 S 1/2012 Scott
 D657,547 S * 4/2012 Koppel D3/201
 D659,394 S 5/2012 Hebert
 D661,349 S 6/2012 Picard
 D664,195 S 7/2012 Rosenthal
 D666,416 S 9/2012 Haywood
 8,272,507 B1 9/2012 Crump et al.
 D677,461 S 3/2013 Farrell
 D679,499 S 4/2013 Harris
 D679,588 S 4/2013 Martini
 D681,729 S 5/2013 Glass

D692,237 S 10/2013 Chang
 D706,537 S 4/2014 Brandt
 D707,967 S 7/2014 Spallone
 D712,659 S 9/2014 Hays
 D713,644 S 9/2014 Johnson
 D714,050 S 9/2014 Crabtree
 D716,048 S 10/2014 Bradfield
 D724,315 S 3/2015 Farrell
 D739,143 S 9/2015 Eskandry
 D741,598 S 10/2015 Calero
 D753,398 S 4/2016 Arami
 D782,190 S 3/2017 Bauer
 D790,722 S 6/2017 Tyler
 D804,178 S * 12/2017 Groning D3/299
 D804,179 S * 12/2017 Kolstad D3/303
 D828,032 S 9/2018 Brundage
 D840,639 S * 2/2019 Garcia D2/857
 D841,263 S * 2/2019 Kessler D30/199
 2004/0020959 A1 2/2004 Sellars
 2006/0260049 A1 11/2006 Wenz
 2009/0095751 A1 4/2009 Hamlin et al.
 2009/0208148 A1 8/2009 Doyle
 2009/0285509 A1 11/2009 Giaquinto
 2010/0206918 A1 8/2010 Johnson
 2010/0252598 A1 10/2010 Cragg
 2011/0127283 A1 6/2011 Delucia
 2011/0280499 A1 11/2011 Brundage
 2014/0212069 A1 7/2014 Brundage
 2018/0220757 A1 8/2018 Brundage

OTHER PUBLICATIONS

U.S. Appl. No. 13/109,789, dated Dec. 19, 2012, Office Action.
 U.S. Appl. No. 13/109,789, dated Aug. 30, 2013, Final Office Action.
 U.S. Appl. No. 13/109,789, dated Apr. 7, 2017, Office Action.
 U.S. Appl. No. 13/109,789, dated Nov. 3, 2017, Final Office Action.
 U.S. Appl. No. 14/250,285, dated Oct. 27, 2015, Office Action.
 U.S. Appl. No. 14/250,285, dated Jul. 29, 2016, Office Action.
 U.S. Appl. No. 29/535,346, dated Jun. 2, 2017, Restriction Requirement.
 U.S. Appl. No. 29/535,346, dated Jan. 5, 2018, Office Action.
 U.S. Appl. No. 29/535,346, dated Nov. 11, 2018, Office Action.
 U.S. Appl. No. 29/540,455, dated Jun. 1, 2017, Office Action.
 U.S. Appl. No. 29/540,455, dated Jan. 12, 2018, Final Office Action.
 U.S. Appl. No. 29/540,455, dated May 9, 2018, Notice of Allowance.
 U.S. Appl. No. 29/535,346, dated Jun. 25, 2019, Final Office Action.

* cited by examiner

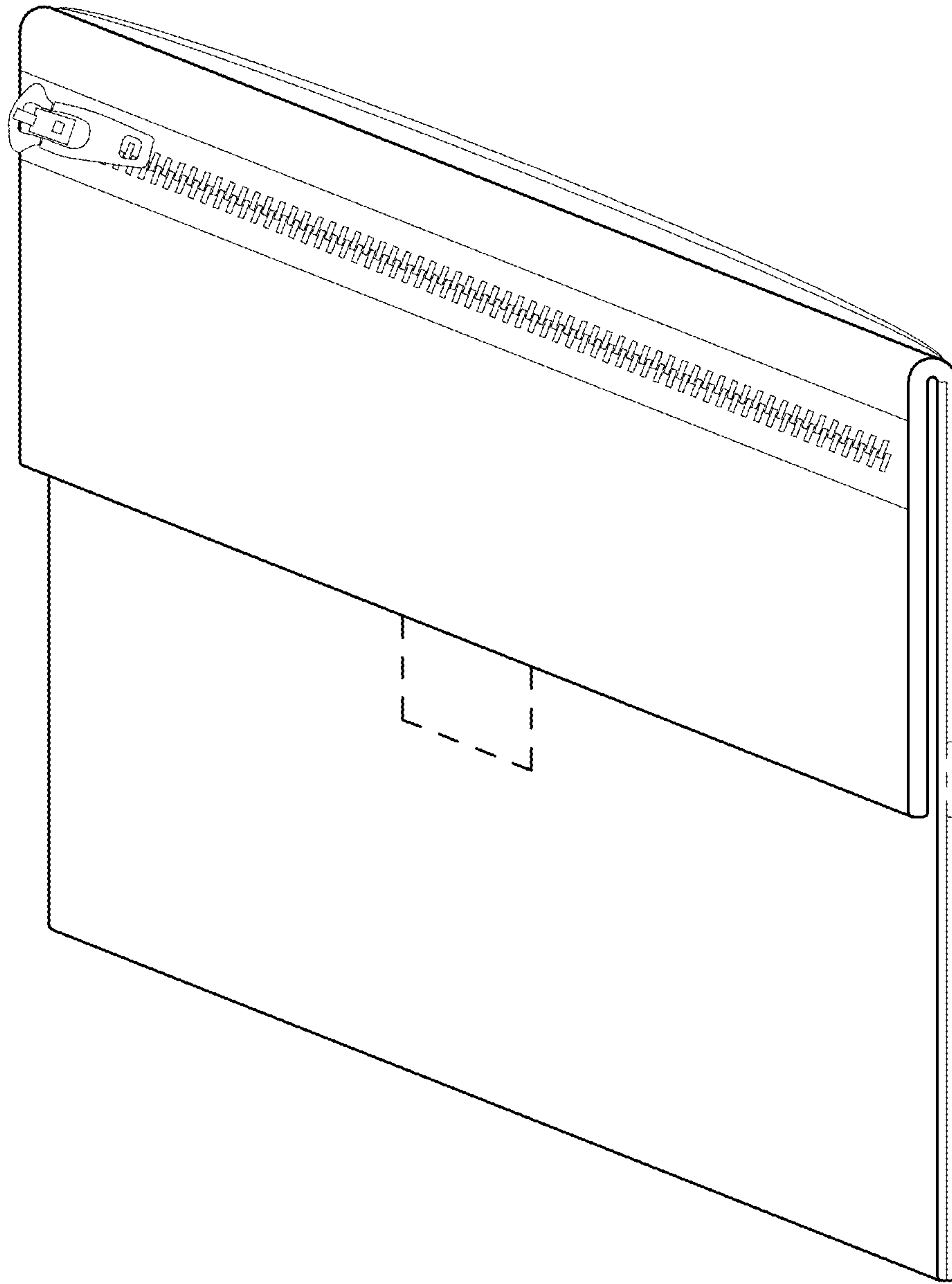


FIG. 1

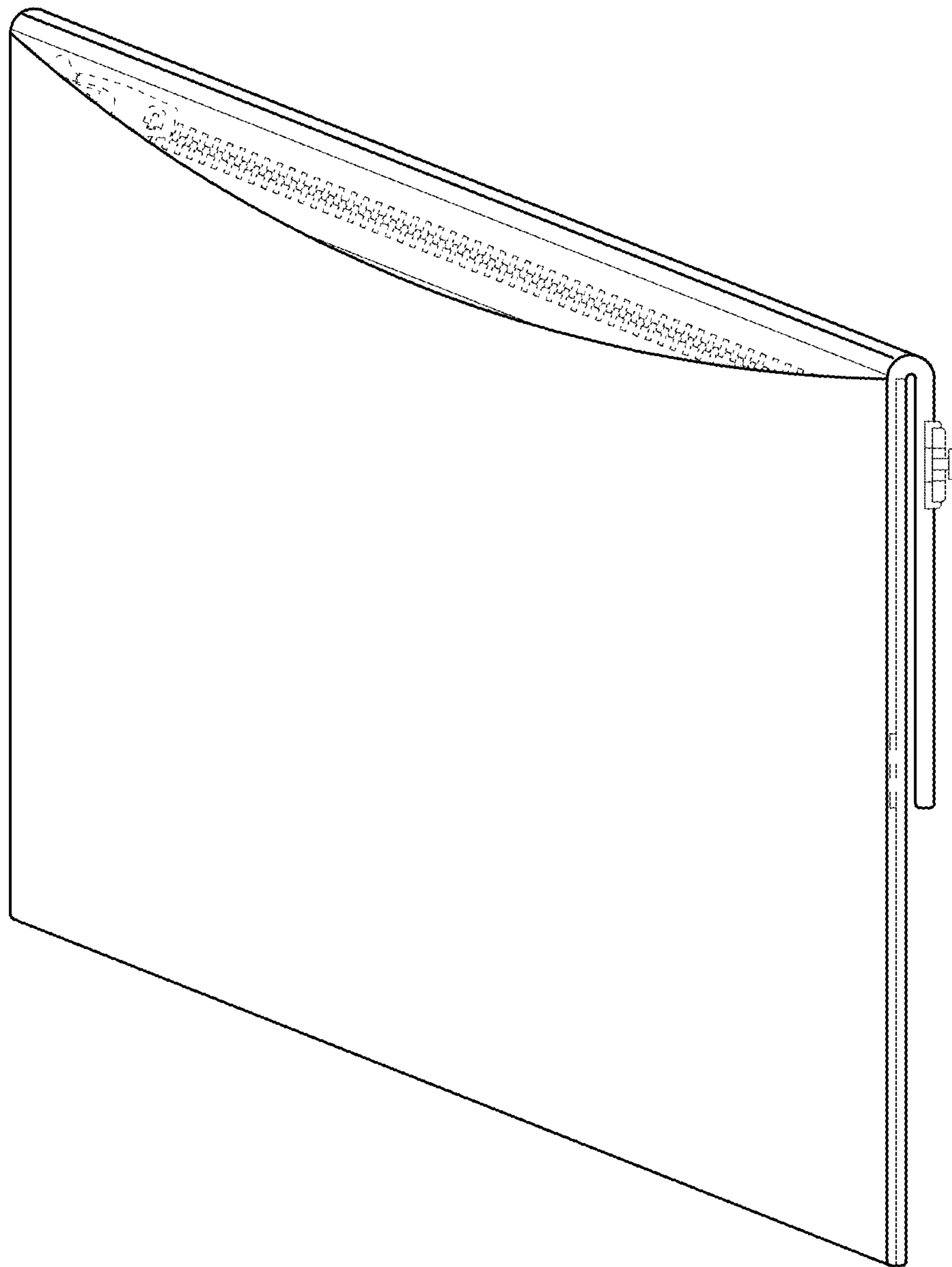


FIG. 2

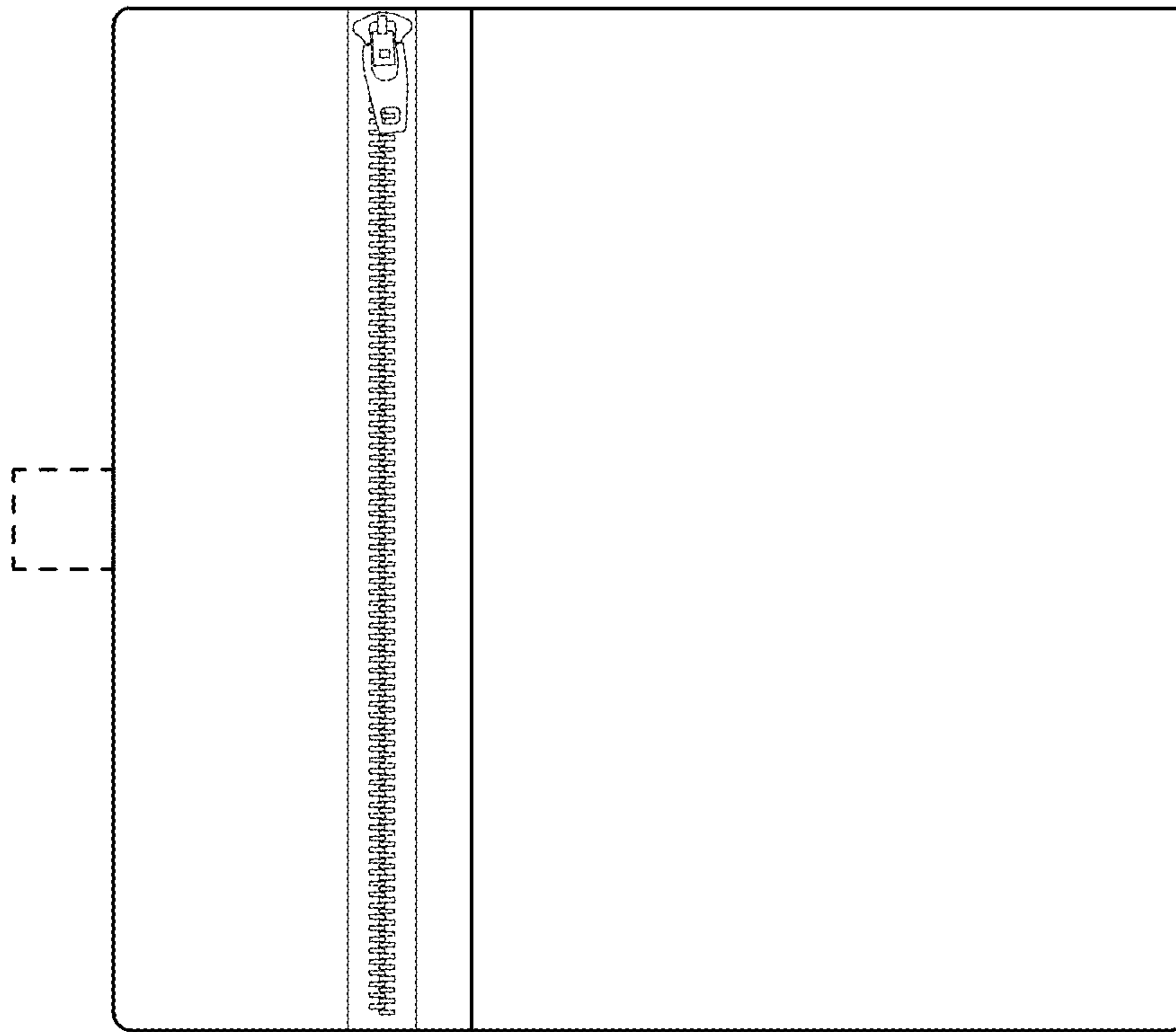


FIG. 3

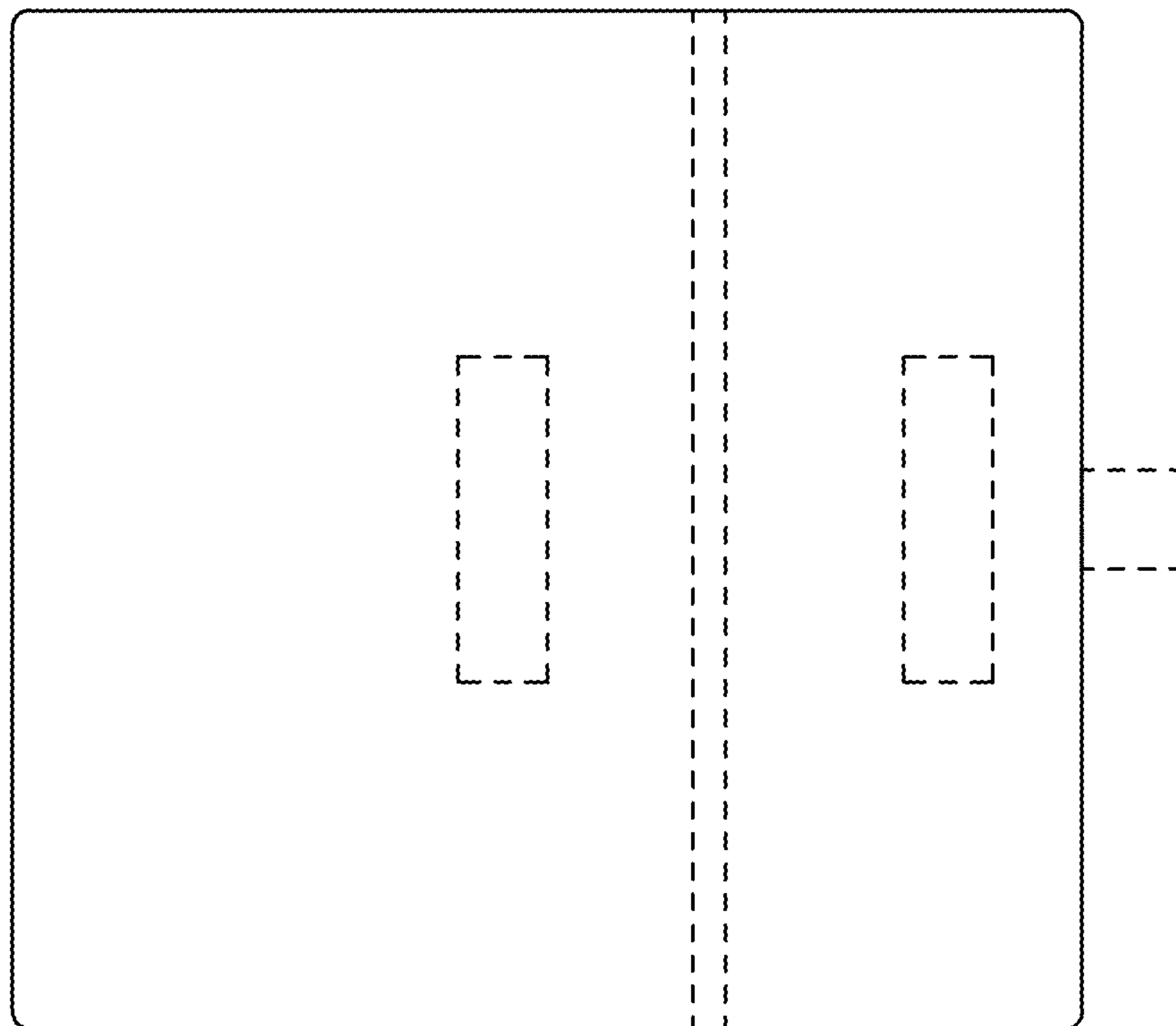


FIG. 4

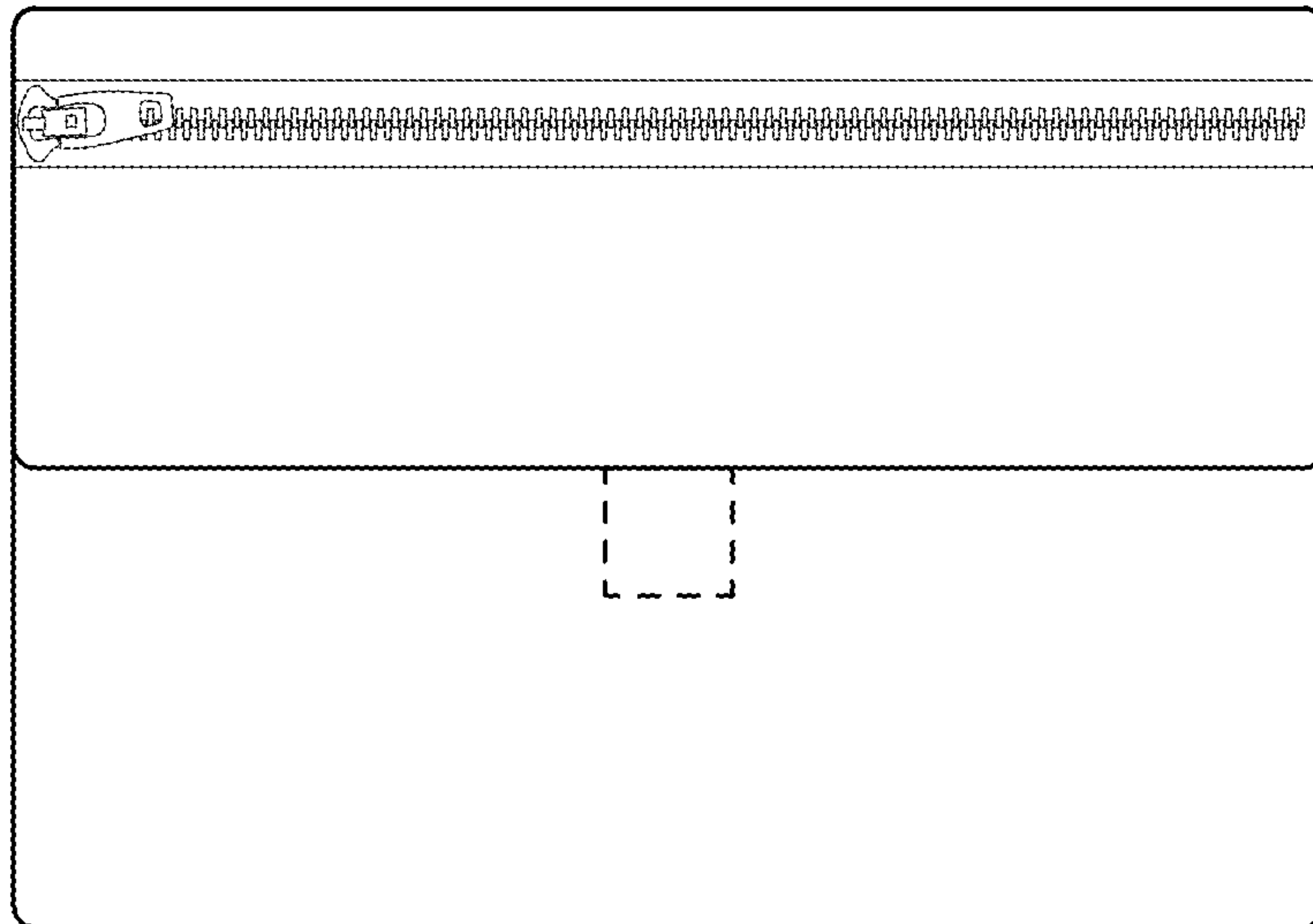


FIG. 5



FIG. 6

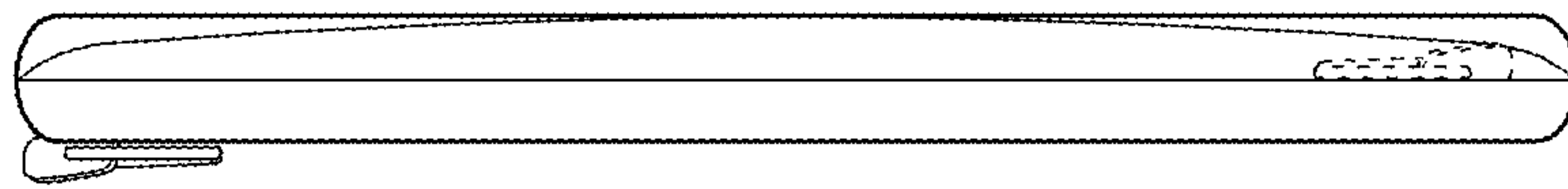


FIG. 7

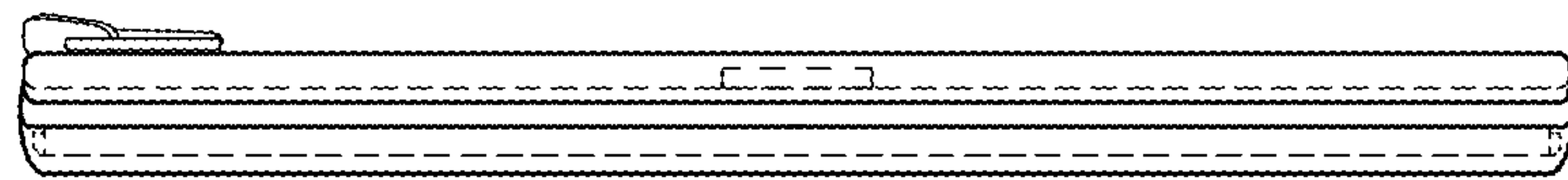


FIG. 8

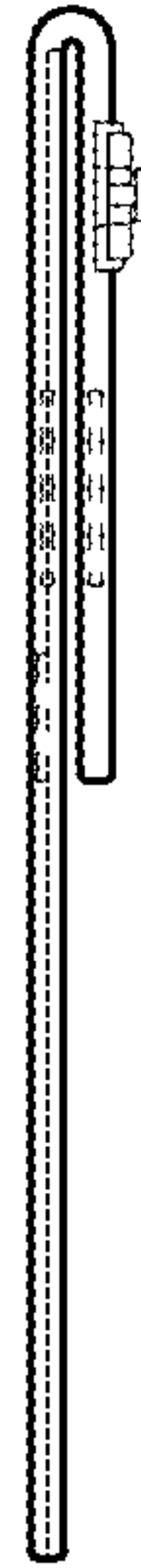


FIG. 9



FIG. 10