



US00D872479S

(12) **United States Design Patent** (10) **Patent No.:** **US D872,479 S**
Seibert et al. (45) **Date of Patent:** **** Jan. 14, 2020**

- (54) **TOOL CONTAINER**
- (71) Applicant: **BLACK & DECKER INC.**, New Britain, CT (US)
- (72) Inventors: **Matthew A. Seibert**, Columbus, OH (US); **Marco Lourenco**, Baltimore, MD (US)
- (73) Assignee: **BLACK & DECKER INC.**, New Britain, CT (US)
- (**) Term: **15 Years**
- (21) Appl. No.: **29/672,207**
- (22) Filed: **Dec. 4, 2018**
- (51) **LOC (12) Cl.** **03-01**
- (52) **U.S. Cl.**
 USPC **D3/294; D3/905**
- (58) **Field of Classification Search**
 USPC D3/273, 274, 276, 279, 281, 282, 291, D3/294, 298, 905, 302, 272, 289; D19/81, 83, 102
 CPC B65D 21/0233; B65D 21/0222; B25H 3/003; B25H 3/006; B25H 3/02; H02G 3/10; H02G 3/12
 See application file for complete search history.

6,271,320	B1	8/2001	Keller et al.	
6,349,827	B1	2/2002	Feder	
6,543,613	B2	4/2003	Belanger	
D477,913	S *	8/2003	Fang	D3/282
6,868,967	B2	3/2005	Lam	
D523,635	S *	6/2006	Chen	D3/282
D528,793	S	9/2006	Cornwell et al.	
7,219,969	B2	5/2007	Bezzubov	
7,237,673	B2	7/2007	Wikle et al.	
7,322,470	B2	1/2008	Brunson	
D563,102	S	3/2008	Cornwell et al.	
D563,670	S	3/2008	Cornwell et al.	
D563,671	S	3/2008	Cornwell et al.	
D568,607	S *	5/2008	Hsu	D3/282
7,690,856	B2	4/2010	Mortensen	
D620,255	S *	7/2010	Chang	D3/282
D639,058	S *	6/2011	Chiu	D3/282
D645,663	S	9/2011	Henley et al.	

(Continued)

FOREIGN PATENT DOCUMENTS

DE	3517308	A1	9/1985
DE	202014105326	U1	12/2014
EP	1736416	A2	12/2006

Primary Examiner — April Rivas

(74) *Attorney, Agent, or Firm* — Scott B. Markow

(57) **CLAIM**

The ornamental design for a tool container, as shown and described.

(56) **References Cited**

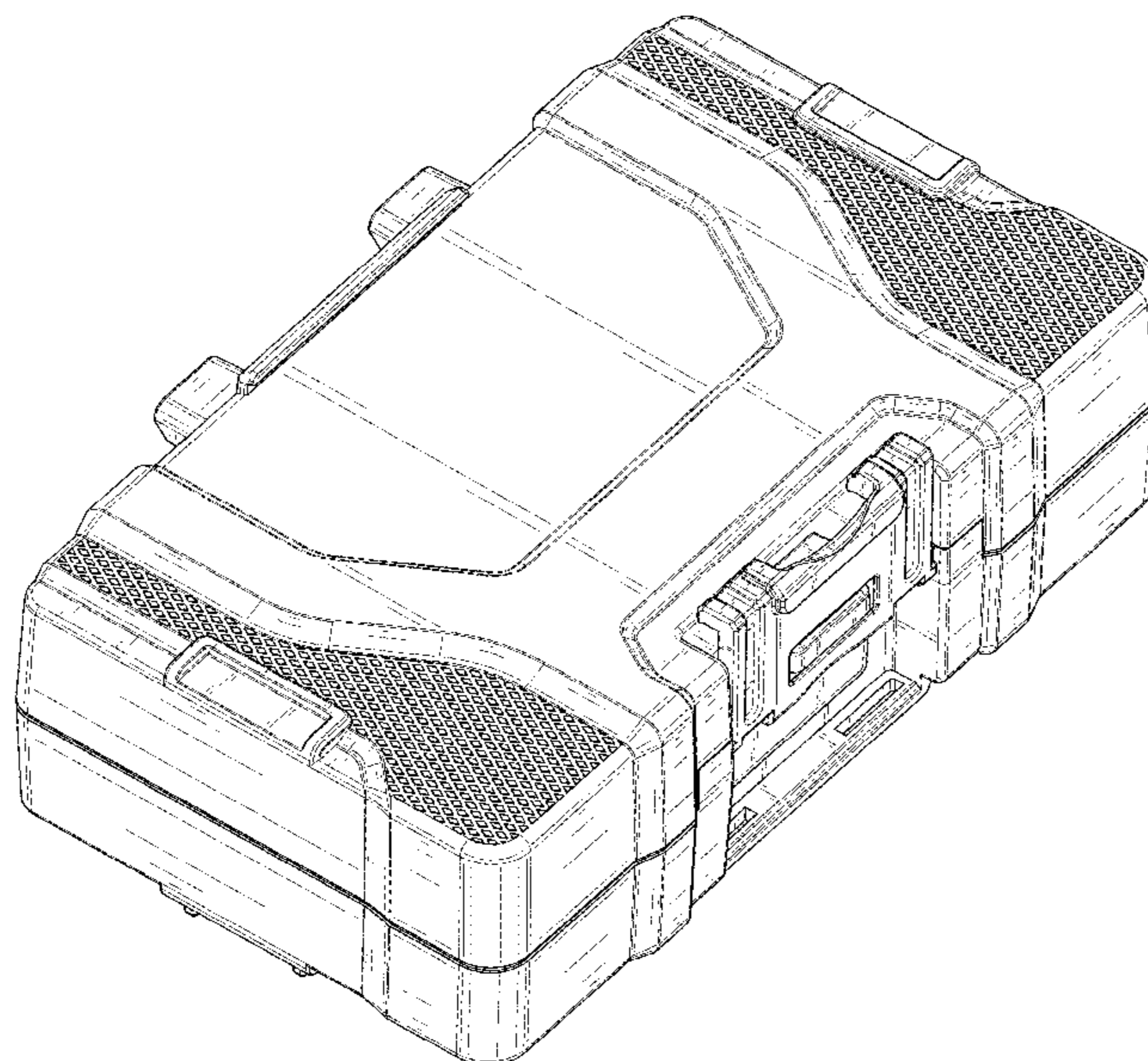
U.S. PATENT DOCUMENTS

263,561	A	8/1882	Mower
4,643,494	A	2/1987	Marleau
4,863,222	A	9/1989	Posso
5,570,784	A	11/1996	Sidabras et al.
5,617,953	A	4/1997	Cope
5,803,254	A	9/1998	Vasudeva
5,887,715	A	3/1999	Vasudeva
5,890,613	A	4/1999	Williams
5,934,466	A	8/1999	Loeffler
6,082,539	A	7/2000	Lee

DESCRIPTION

FIG. 1 is a top perspective view of the tool container.
 FIG. 2 is a bottom perspective view thereof.
 FIG. 3 is a top plan view thereof.
 FIG. 4 is a bottom plan view thereof.
 FIG. 5 is a left side view thereof.
 FIG. 6 is a right side view thereof.
 FIG. 7 is a rear view thereof; and,
 FIG. 8 is a front view thereof.

1 Claim, 6 Drawing Sheets



(56)

References Cited

U.S. PATENT DOCUMENTS

D648,531	S	11/2011	Finnigan et al.	
8,322,354	B2	12/2012	Parker	
8,459,495	B2	6/2013	Koenig et al.	
8,561,679	B2	10/2013	Andochick	
8,590,704	B2	11/2013	Koenig et al.	
8,714,355	B2	5/2014	Huang	
8,875,888	B2	11/2014	Koenig et al.	
8,979,100	B2	3/2015	Bensman et al.	
9,469,024	B2	10/2016	Bensman et al.	
D773,184	S *	12/2016	Ko	D3/274
D781,584	S	3/2017	Kinsky	
D799,822	S *	10/2017	Kanda	D3/276
D805,775	S *	12/2017	Tsai	D3/298
D858,103	S *	9/2019	Seibert	D3/294
2002/0179473	A1	12/2002	Chao	
2004/0188322	A1	9/2004	Chen	
2012/0152944	A1	6/2012	Vilkomirski et al.	
2013/0128560	A1 *	5/2013	Werner	B25H 3/02 362/154
2015/0136763	A1 *	5/2015	Chou	B25H 3/02 220/4.21
2015/0353231	A1	10/2015	Brunner	
2016/0075010	A1	3/2016	Gonzalez et al.	
2016/0194115	A1	7/2016	Stuart et al.	

* cited by examiner

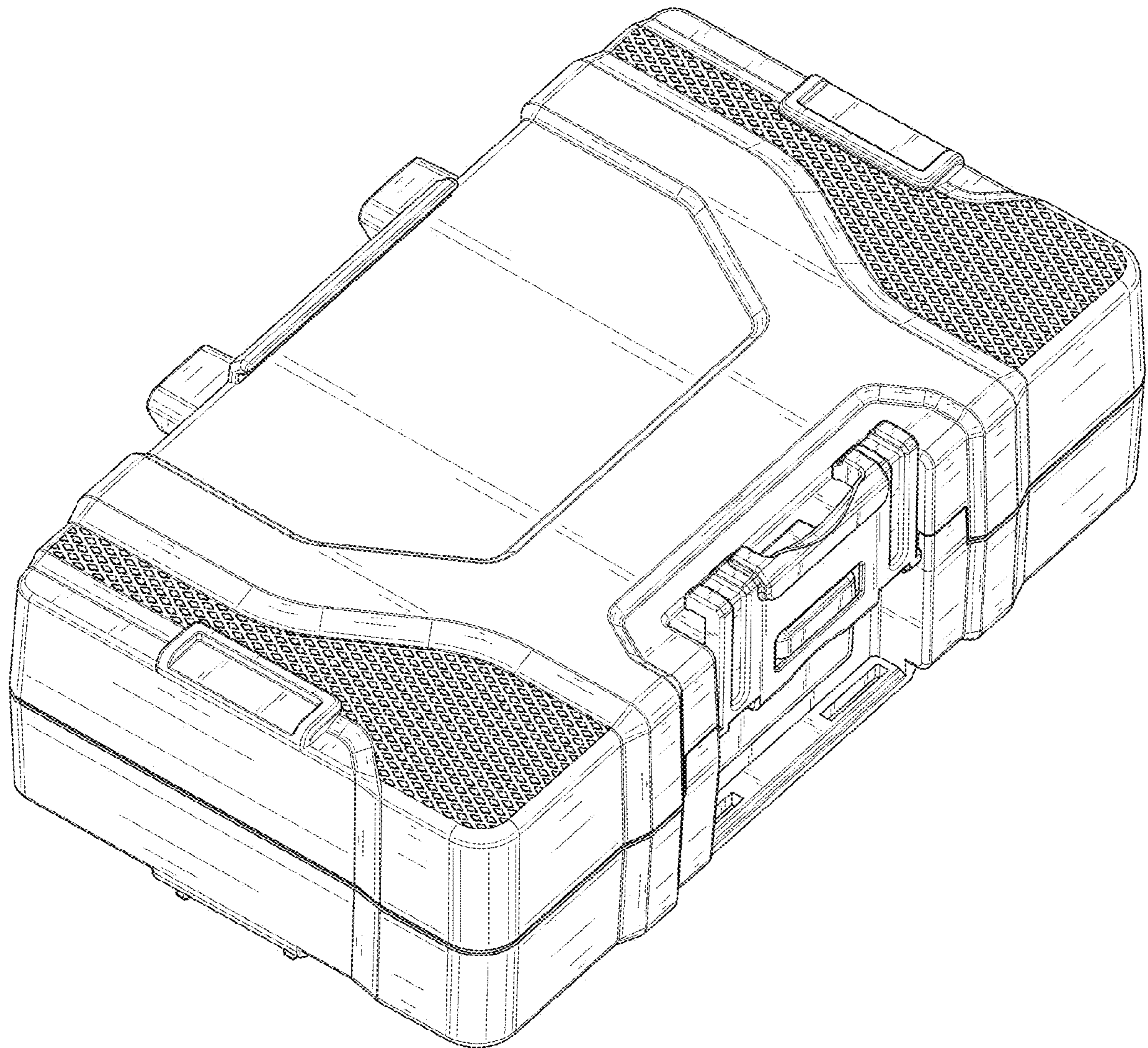


FIG. 1

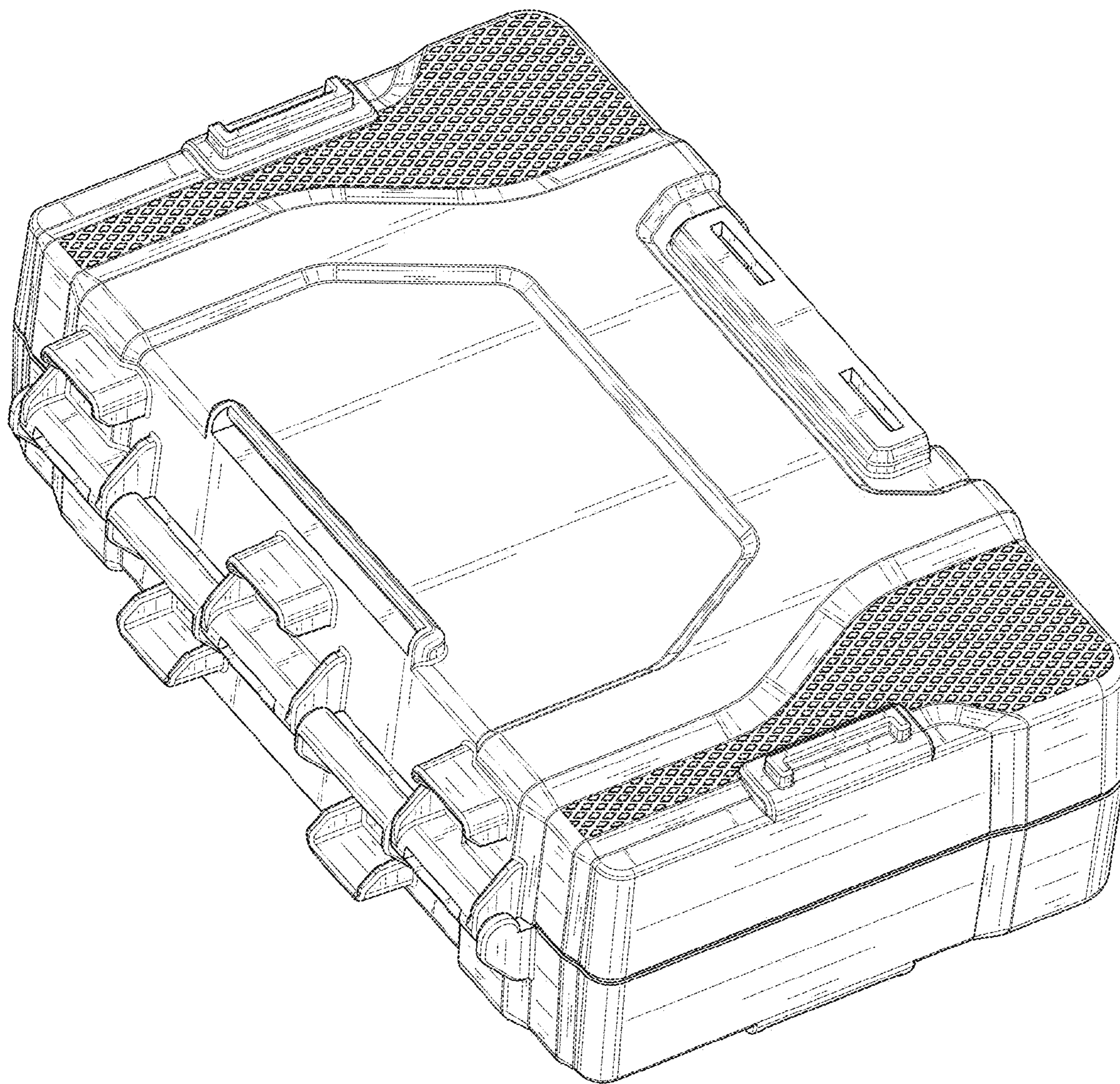


FIG. 2

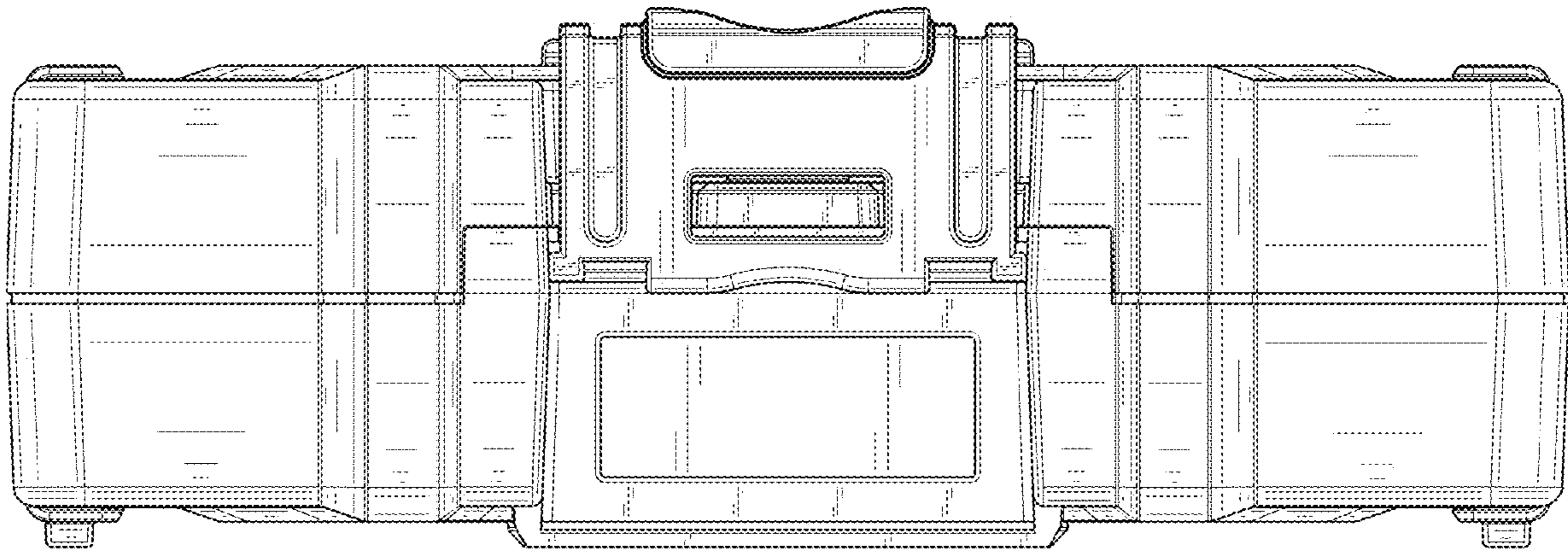


FIG. 3

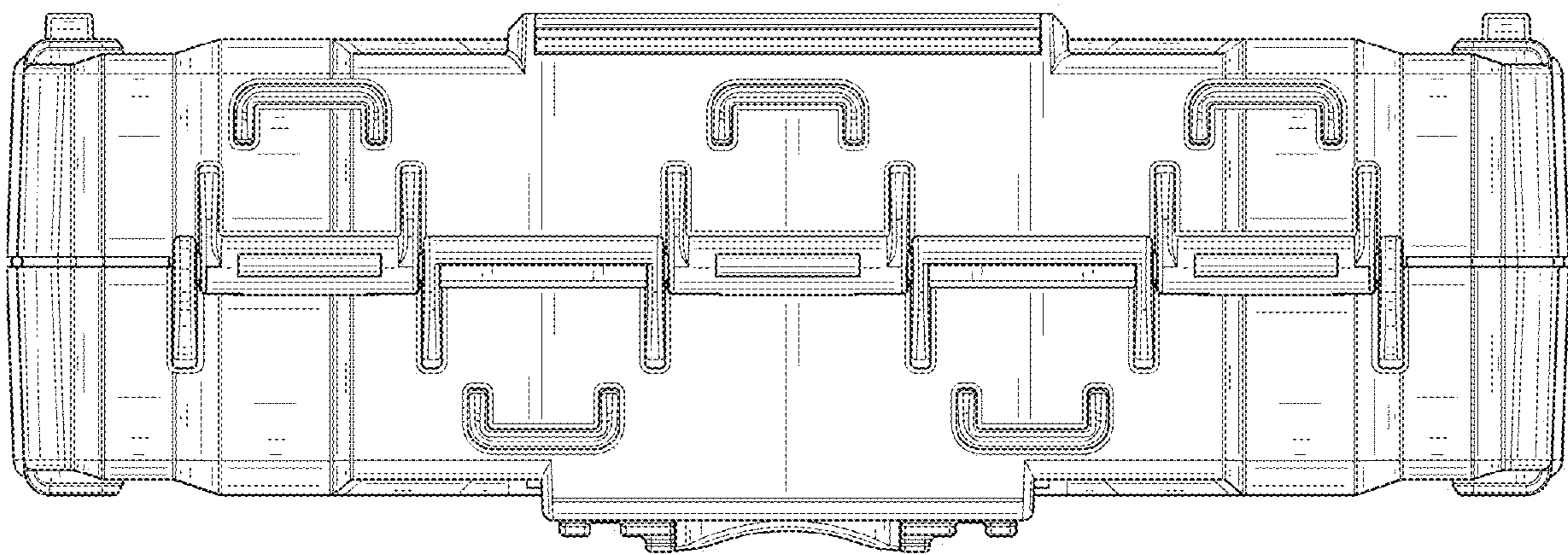


FIG. 4

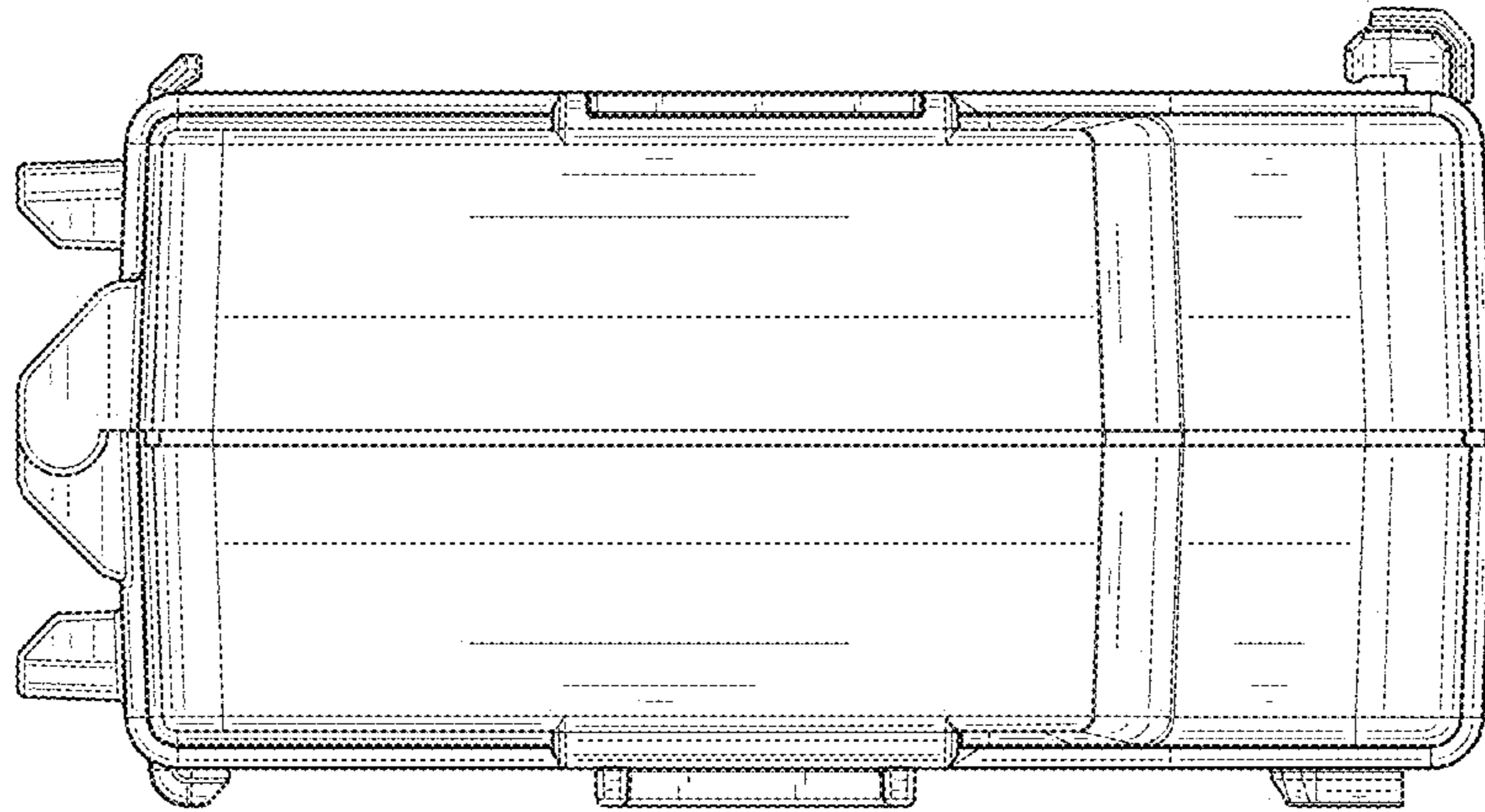


FIG. 5

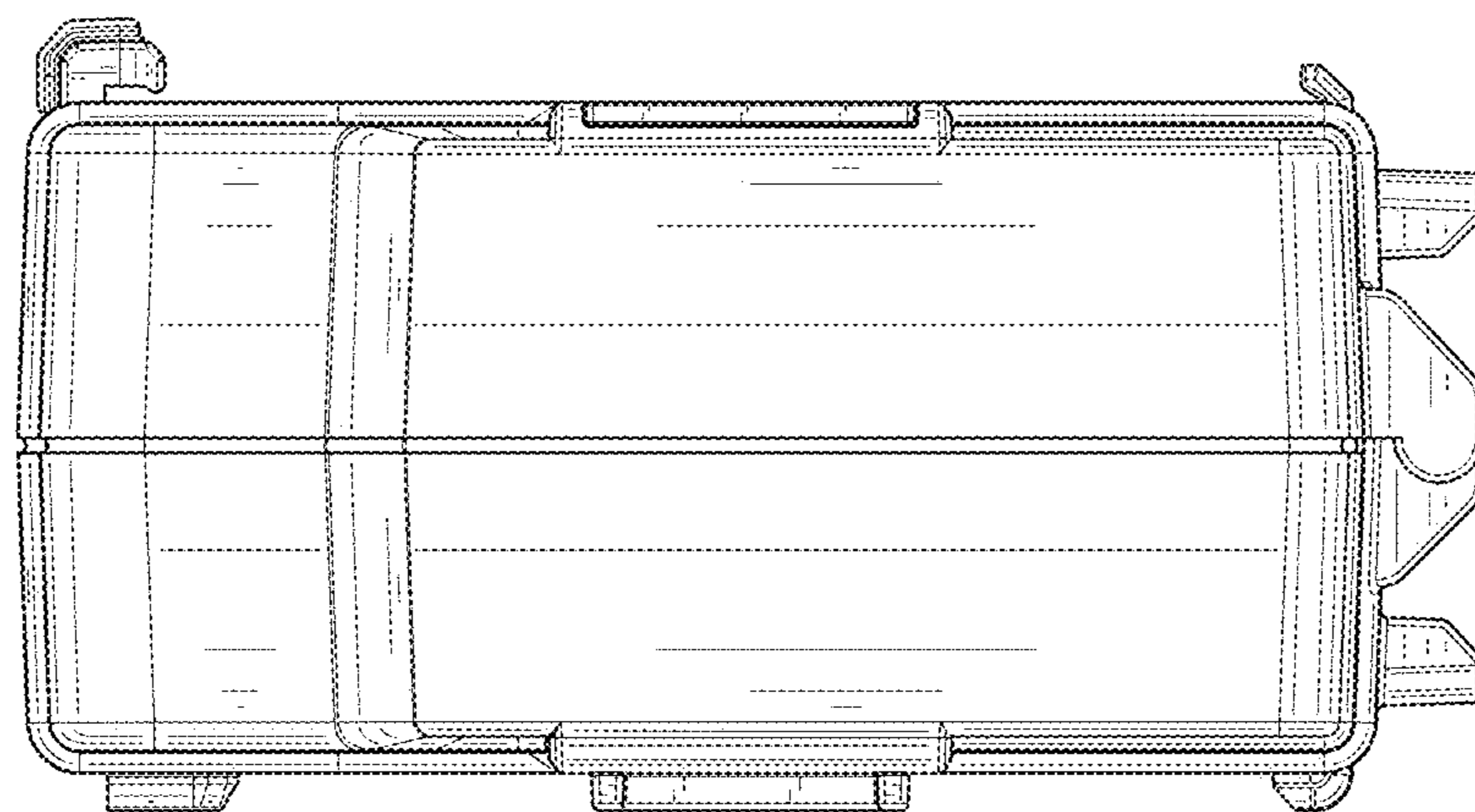


FIG. 6

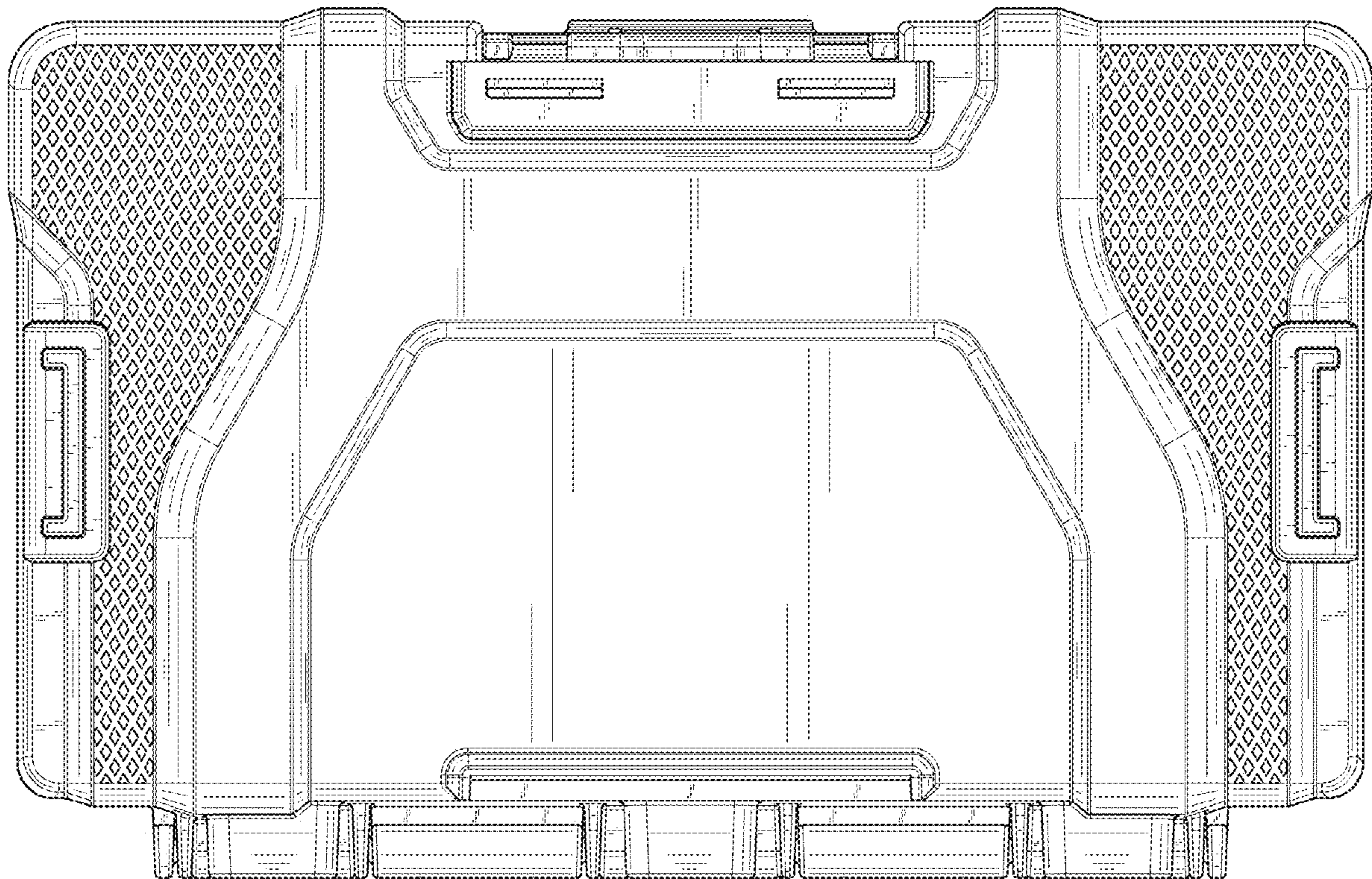


FIG. 7

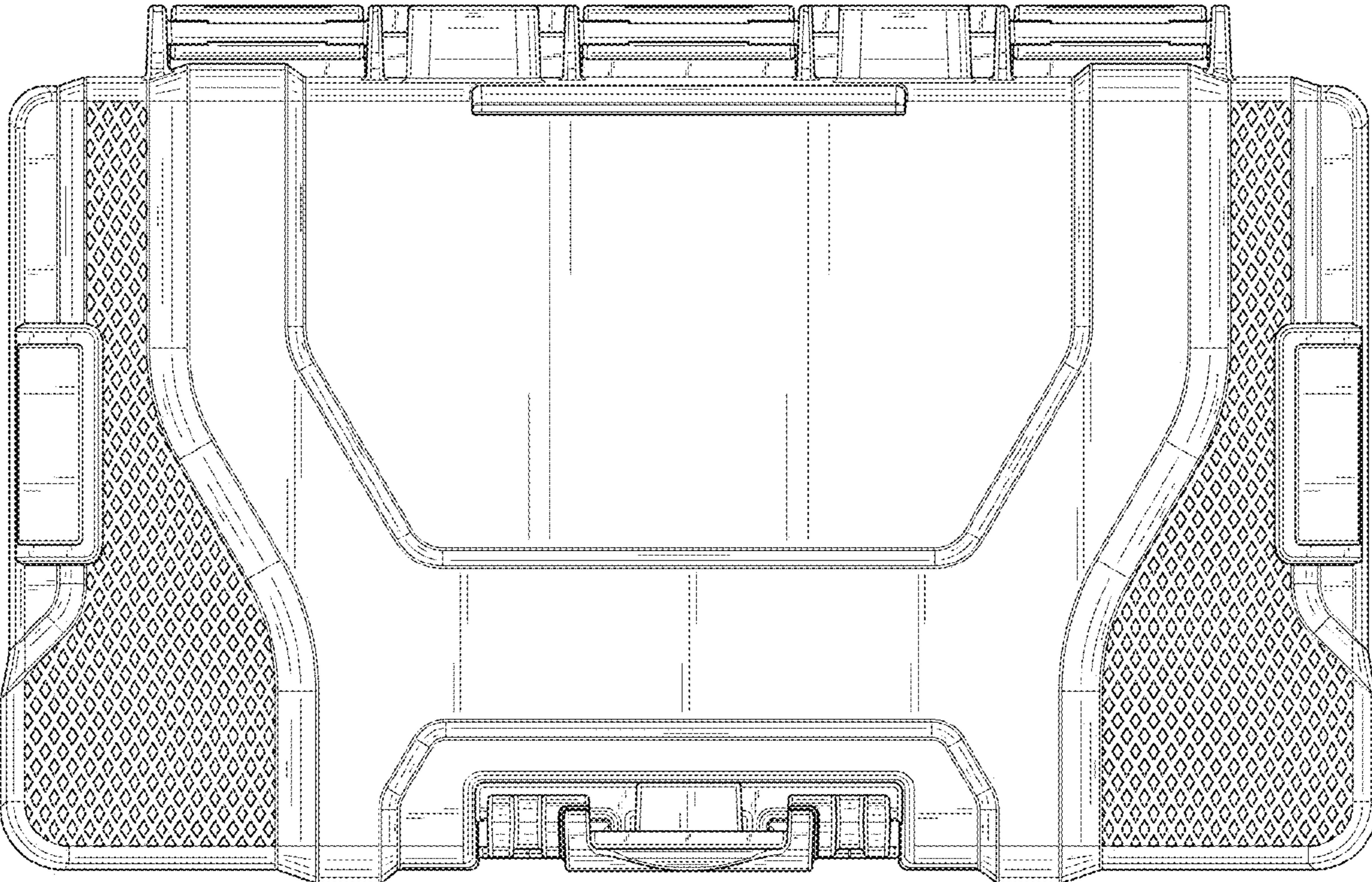


FIG. 8