



US00D872477S

(12) **United States Design Patent**  
**Perella et al.**

(10) **Patent No.:** **US D872,477 S**  
(45) **Date of Patent:** **\*\* Jan. 14, 2020**

- (54) **STORAGE BOX**
- (71) Applicant: **IdeaStream Consumer Products, LLC**, Cleveland, OH (US)
- (72) Inventors: **Daniel V. Perella**, Cleveland, OH (US); **Benjamin Hietanen**, Cleveland, OH (US); **Yanhong Shuai**, Cleveland, OH (US); **Youfang Xu**, Cleveland, OH (US)
- (73) Assignee: **IdeaStream Consumer Products, LLC**, Cleveland, OH (US)
- (\*\*) Term: **15 Years**
- (21) Appl. No.: **29/613,491**
- (22) Filed: **Aug. 10, 2017**
- (51) **LOC (12) Cl.** ..... **03-01**
- (52) **U.S. Cl.**  
USPC ..... **D3/291; D3/901**
- (58) **Field of Classification Search**  
USPC ..... D3/205, 245, 273, 274, 285, 287, 291, D3/294, 296, 901, 900, 903; D28/76, 77  
CPC ..... A45C 1/02; A45C 2003/008; A45C 3/02; A45C 5/005; A45C 2011/007; A45D 29/20; A45D 33/008  
See application file for complete search history.

|              |         |         |       |        |
|--------------|---------|---------|-------|--------|
| D718,934 S * | 12/2014 | Lin     | ..... | D3/281 |
| D736,519 S * | 8/2015  | Chui    | ..... | D3/272 |
| D740,562 S * | 10/2015 | Bonilla | ..... | D3/294 |
| D774,759 S * | 12/2016 | Beilman | ..... | D3/284 |
| D777,429 S * | 1/2017  | Mangano | ..... | D3/275 |

**OTHER PUBLICATIONS**

Chronically Vintage, "Found: The most timelessly perfect vintage style cosmetic train case ever!", Posted Mar. 25, 2011. (<https://www.chronicallyvintage.com/2011/03/found-most-timelessly-perfect-vintage.html>) (Year: 2011).\*

Amazon, "Deluxe Lockable Storage Box With Customizable Foam for Cosmetics . . . ", First on sale Jul. 24, 2015. (<https://www.amazon.com/Deluxe-Lockable-Storage-Customizable-Cosmetics/dp/B012HASW9Q/>) (Year: 2015).\*

(Continued)

*Primary Examiner* — April Rivas

(74) *Attorney, Agent, or Firm* — Fay Sharpe LLP

(57) **CLAIM**

The ornamental design for a storage box, as shown and described.

**DESCRIPTION**

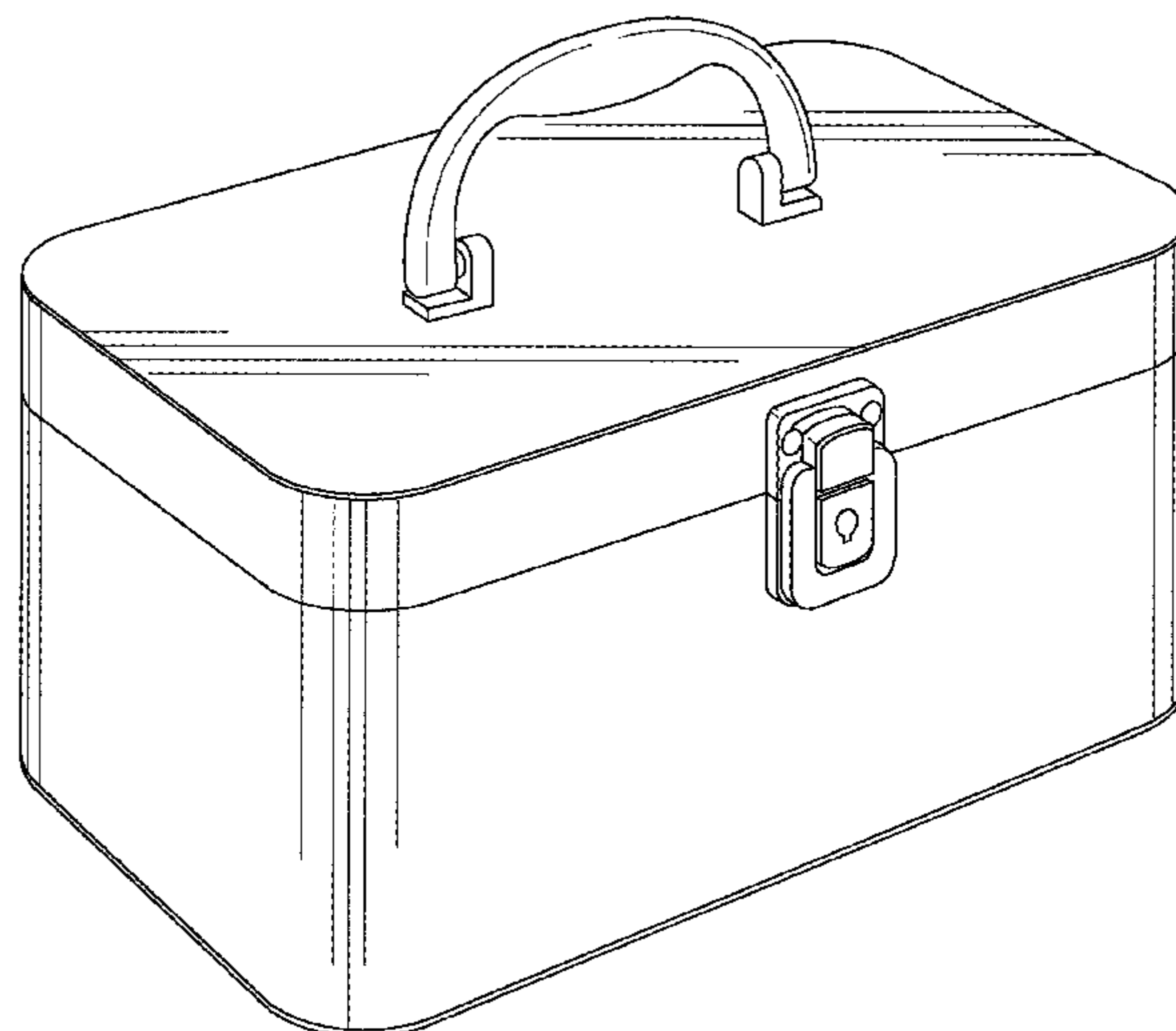
FIG. 1 is a front left perspective view of a storage box of the present application;  
 FIG. 2 is a front left perspective view of the storage box of FIG. 1 with the lid open;  
 FIG. 3 is a front side view of the storage box of FIG. 1;  
 FIG. 4 is a top plan view of the storage box of FIG. 1;  
 FIG. 5 is a back side view of the storage box of FIG. 1;  
 FIG. 6 is a bottom plan view of the storage box of FIG. 1; and,  
 FIG. 7 is a right side plan view of the storage box of FIG. 1.

**1 Claim, 5 Drawing Sheets**

(56) **References Cited**

**U.S. PATENT DOCUMENTS**

|              |         |         |       |        |
|--------------|---------|---------|-------|--------|
| D129,108 S * | 8/1941  | Sprague | ..... | D3/268 |
| D417,783 S * | 12/1999 | Wolf    | ..... | D3/275 |
| D485,682 S * | 1/2004  | Wolf    | ..... | D3/291 |
| D496,791 S * | 10/2004 | Perella | ..... | D3/263 |
| D498,051 S * | 11/2004 | Badaan  | ..... | D3/276 |
| D504,990 S * | 5/2005  | Perella | ..... | D99/28 |
| D509,357 S * | 9/2005  | Perella | ..... | D3/267 |
| D561,462 S * | 2/2008  | Perella | ..... | D3/206 |
| D657,915 S * | 4/2012  | Lai     | ..... | D28/83 |



(56)

**References Cited**

OTHER PUBLICATIONS

Amazon, “Caboodles Gilded Pleasure Nail Valet with White Polka Dot . . .”, First reviewed Jan. 8, 2014. (<https://www.amazon.com/Caboodles-Gilded-Pleasure-Valet-White/dp/B00EPU8ZVW>) (Year: 2014).\*

Amazon, “HOYOFO 2-Piece Stone Texture Cosmetic Train Case Set Makeup Bags with Mirror . . .”, First reviewed Jun. 5, 2016. (<https://www.amazon.com/HOYOFO-Cosmetics-Makeup-Train-Print/dp/B019SIY3Y8/>) (Year: 2016).\*

Amazon, “Shany Carry All Trunk Professional Makeup Kit . . .”, First reviewed Oct. 4, 2010. (<https://www.amazon.com/SHANY-Carry-Trunk-Professional-Makeup/dp/B002XXAUE8/>) (Year: 2010).\*

Amazon, “Vaultz Locking Train Case for Cosmetics Storage . . .”, First on sale Apr. 22, 2017. (<https://www.amazon.com/Vaultz-Locking-Cosmetics-Storage-VZ03742/dp/B071RL13P8/>) (Year: 2017).\*

Amazon, “First Alert 3020F Steel Cash Box .19 Cubic Ft. Black”, First on sale Apr. 14, 2006. (<https://www.amazon.com/First-Alert-3020F-Steel-Box-19/dp/B000MPO6O4/>) (Year: 2006).\*

\* cited by examiner

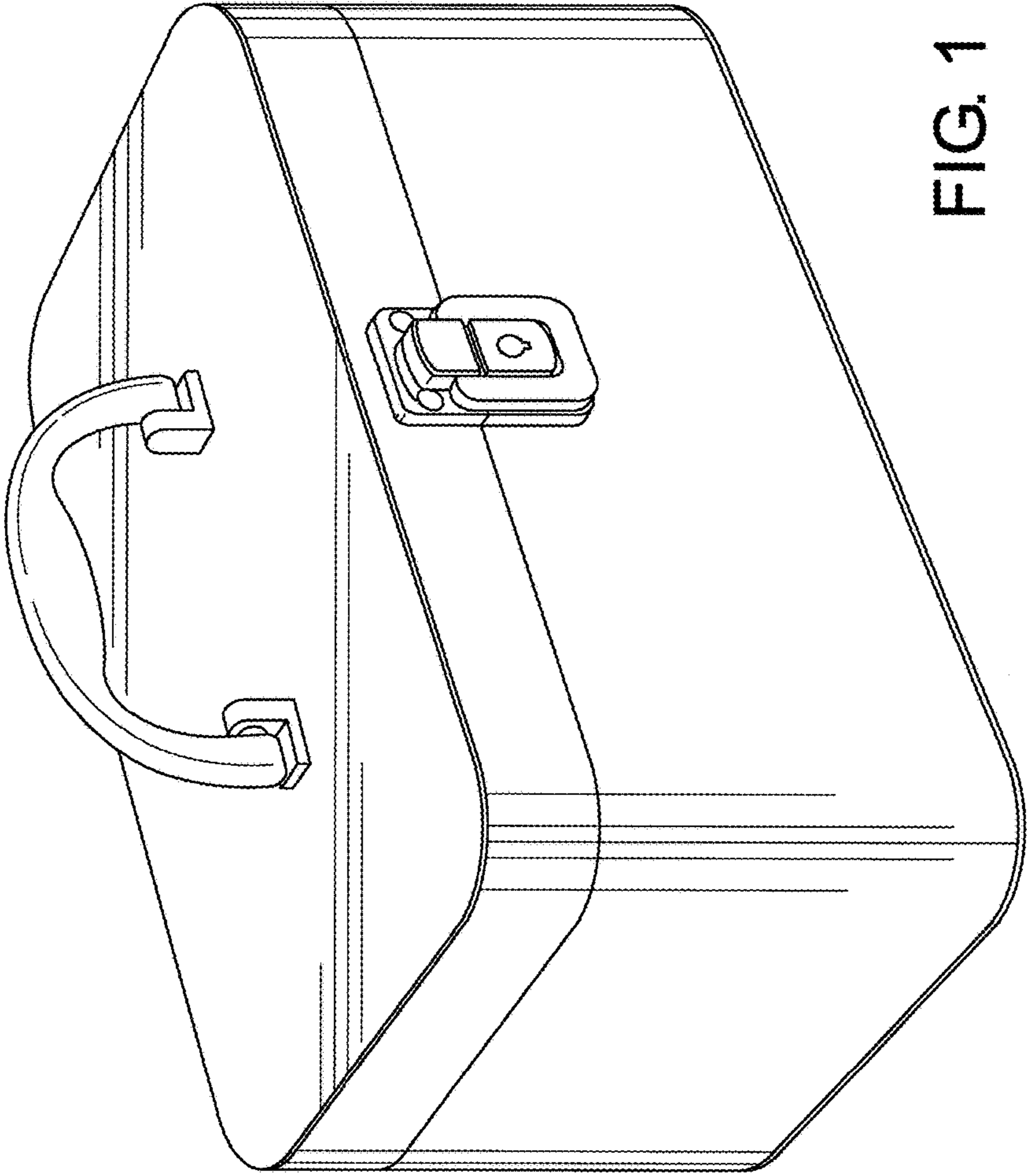


FIG. 1

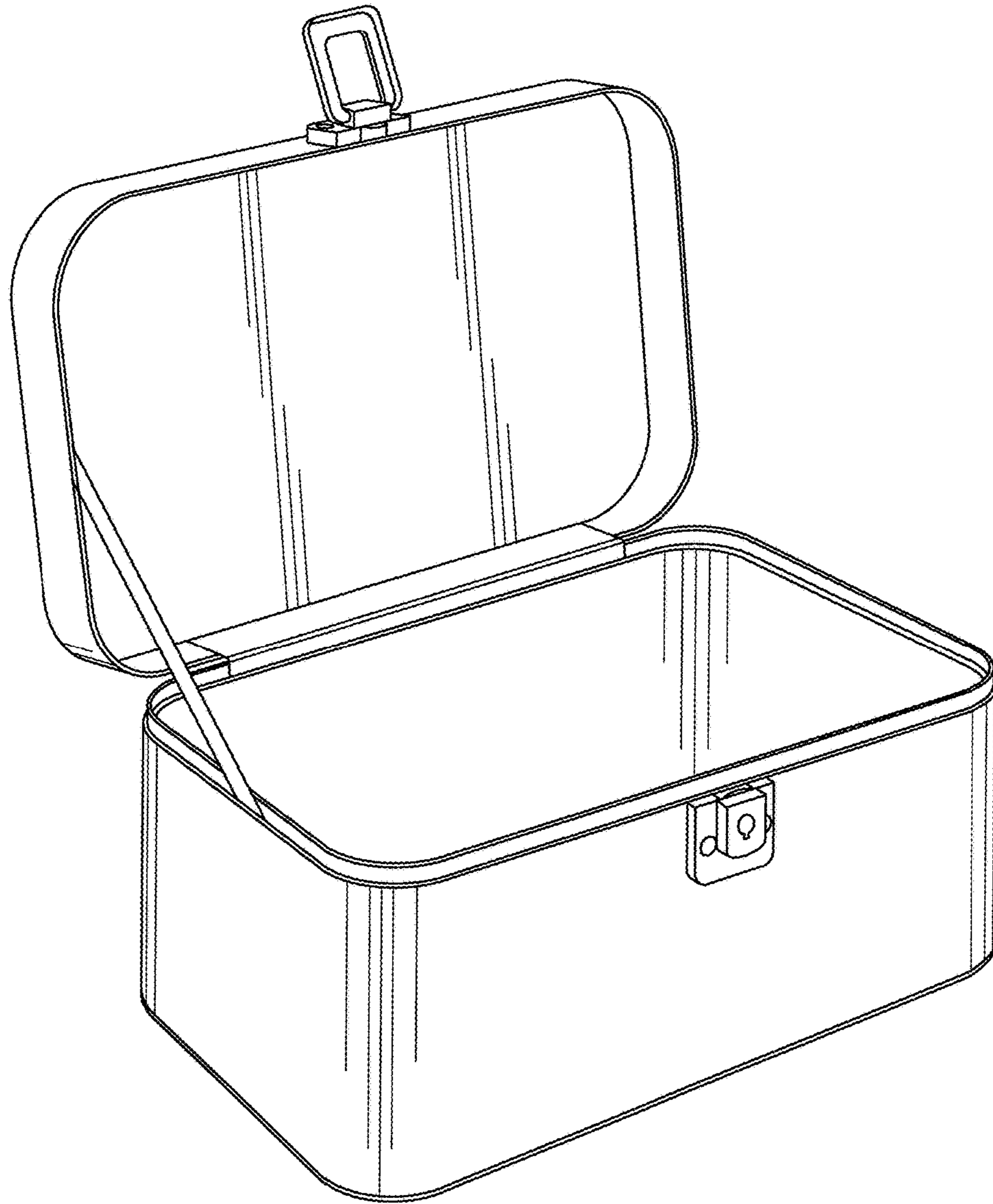


FIG. 2

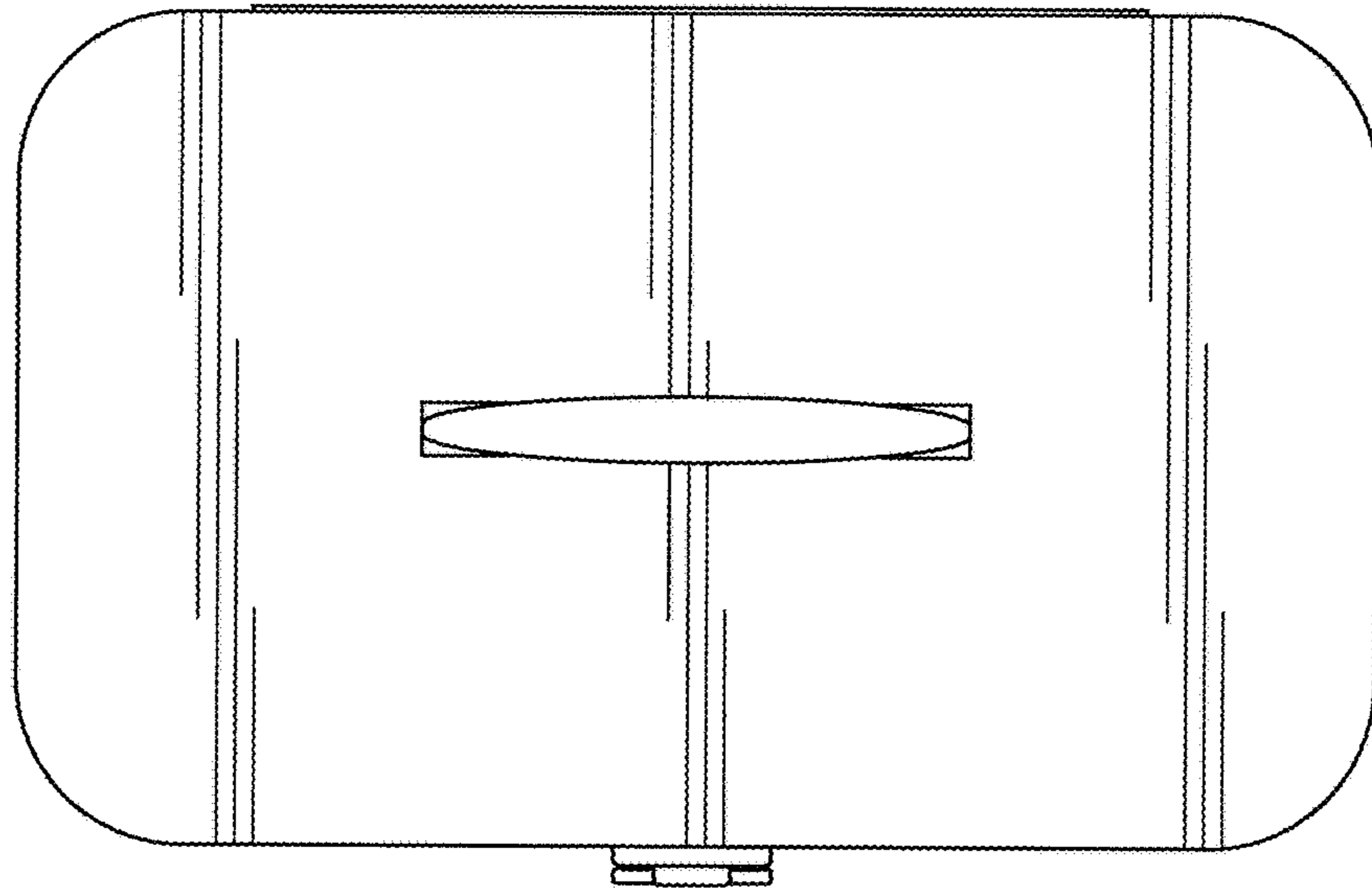


FIG. 4

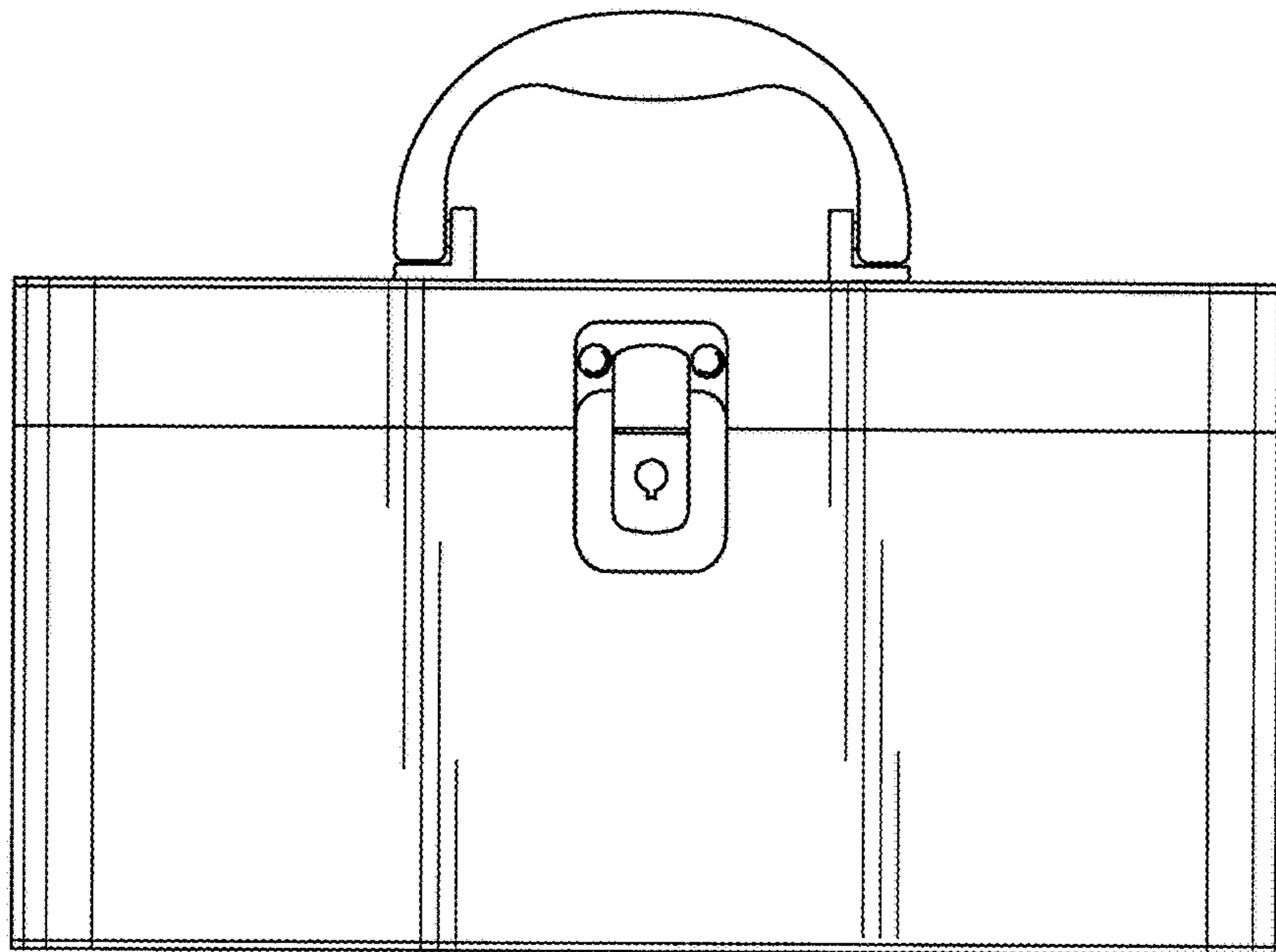


FIG. 3

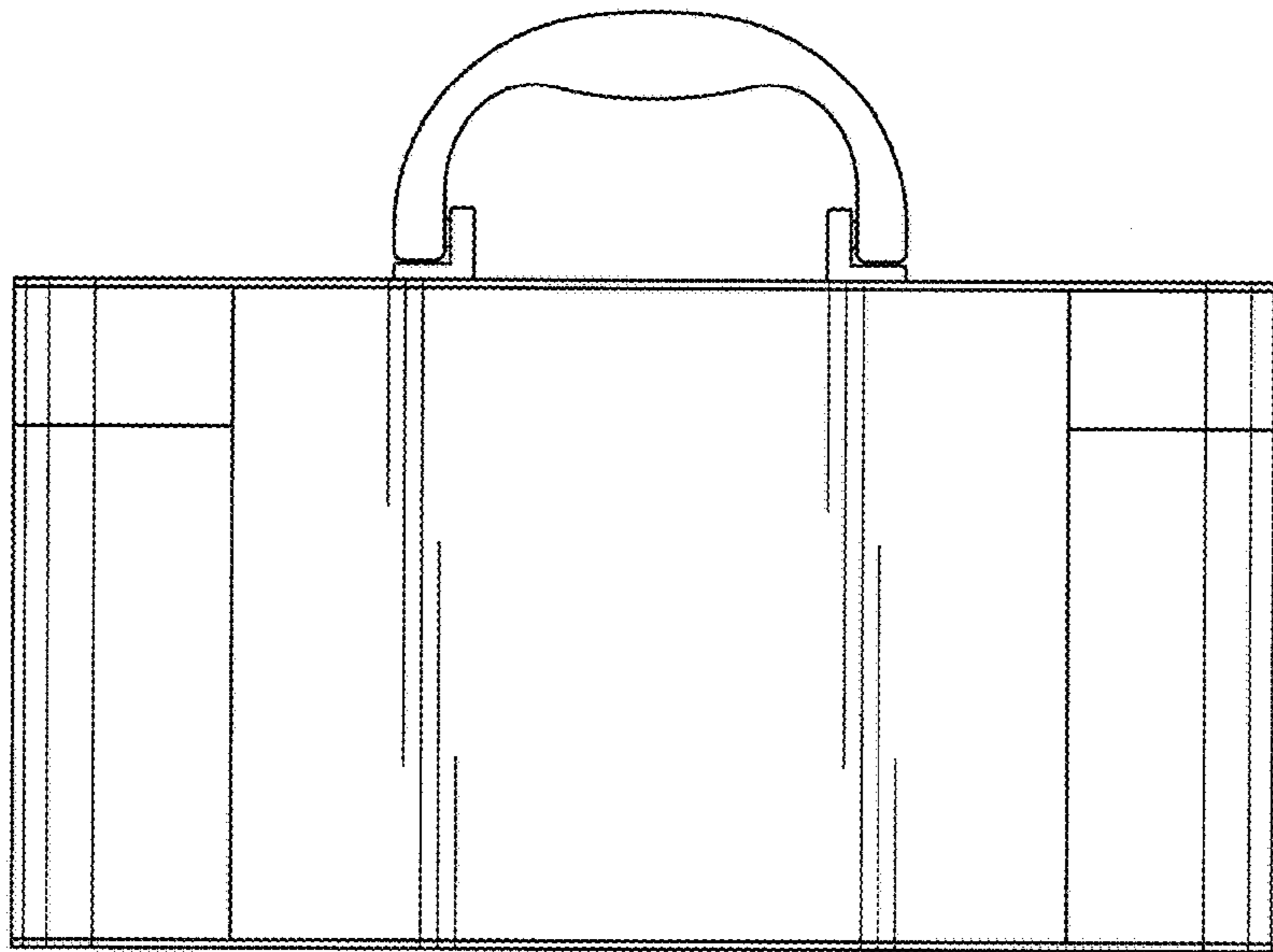


FIG. 5

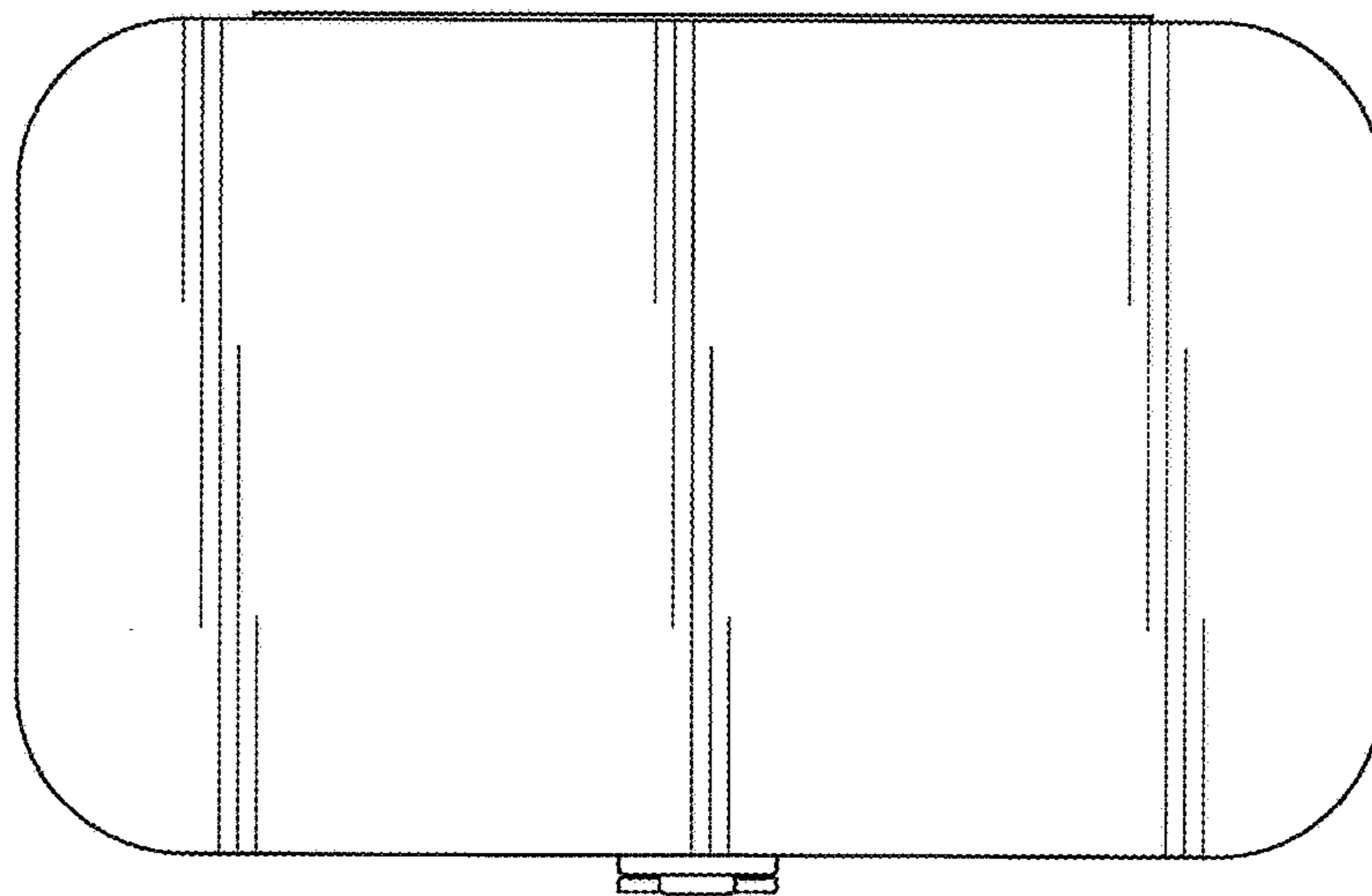


FIG. 6

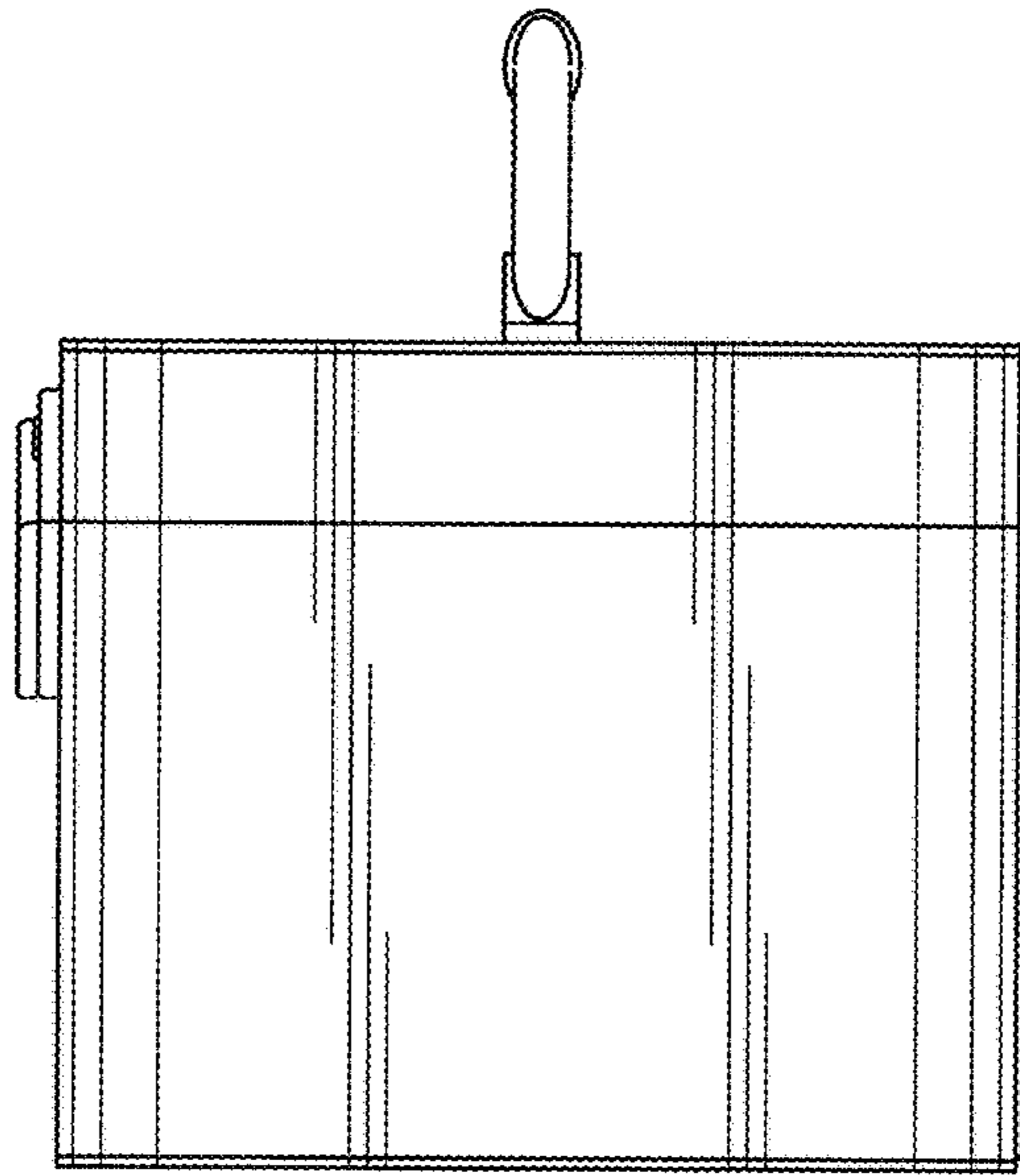


FIG. 7