



US00D872476S

(12) **United States Design Patent**  
**Thibadeau**

(10) **Patent No.:** **US D872,476 S**  
(45) **Date of Patent:** **\*\* Jan. 14, 2020**

- (54) **BAG**
- (71) Applicant: **Thule, Inc.**, Seymour, CT (US)
- (72) Inventor: **Mark Thibadeau**, Boulder, CO (US)
- (73) Assignee: **Thule, Inc.**, Seymour, CT (US)
- (\*\*) Term: **15 Years**
- (21) Appl. No.: **29/692,161**
- (22) Filed: **May 23, 2019**

D782,820 S *	4/2017	Thompson	.....	D3/283
D819,327 S *	6/2018	Jusic	.....	D3/217
D850,790 S *	6/2019	Thibadeau	.....	D3/289
D854,312 S *	7/2019	Seiders	.....	D3/217
D854,322 S *	7/2019	Seiders	.....	D3/289
2012/0145720 A1	6/2012	Hicks		

**Related U.S. Application Data**

- (63) Continuation of application No. 29/630,316, filed on Dec. 20, 2017, now Pat. No. Des. 850,790.
- (51) **LOC (12) Cl.** ..... **03-01**
- (52) **U.S. Cl.**  
USPC ..... **D3/283**; D3/289
- (58) **Field of Classification Search**  
USPC ..... D3/201, 205, 226, 247, 250, 273, 274,  
D3/276, 278, 283, 284, 285, 289, 290,  
D3/299, 301, 905, 243  
CPC ..... A45C 3/00; A45C 3/004; A45C 2003/008;  
A45C 5/06; A45C 3/04; A45C 13/00  
See application file for complete search history.

**References Cited**

**U.S. PATENT DOCUMENTS**

D367,359 S *	2/1996	Smith	.....	D3/273
D490,242 S *	5/2004	Hassett	.....	D3/267
D509,959 S *	9/2005	Nykoluk	.....	D3/289
D540,037 S	4/2007	Newson		
D575,059 S *	8/2008	Cappiello	.....	D3/283
D648,533 S	11/2011	Sosnovsky		
D698,150 S	1/2014	Sabounjian		

**OTHER PUBLICATIONS**

Amazon, "Thule Subterra Duffel 60L", First reviewed Sep. 25, 2017. (<https://www.amazon.com/Thule-3203521-Subterra-Duffel-60L/dp/B0741H9P4H?th=1>) (Year: 2017).\*

Amazon, "Pelican Weatherproof Duffel Mobile Protect Duffel—MPD100 (100 Liter)", First reviewed Jul. 7, 2018. (<https://www.amazon.com/dp/B00745SX7Q/>) (Year: 2018).

\* cited by examiner

*Primary Examiner* — April Rivas

(74) *Attorney, Agent, or Firm* — Sterne, Kessler, Goldstein & Fox P.L.L.C.

(57) **CLAIM**

The ornamental design for a bag, as shown and described.

**DESCRIPTION**

FIG. 1 is a top front perspective view of a bag showing the claimed design;

FIG. 2 is a front view thereof;

FIG. 3 is a rear view thereof;

FIG. 4 is a left side view thereof;

FIG. 5 is a right side view thereof;

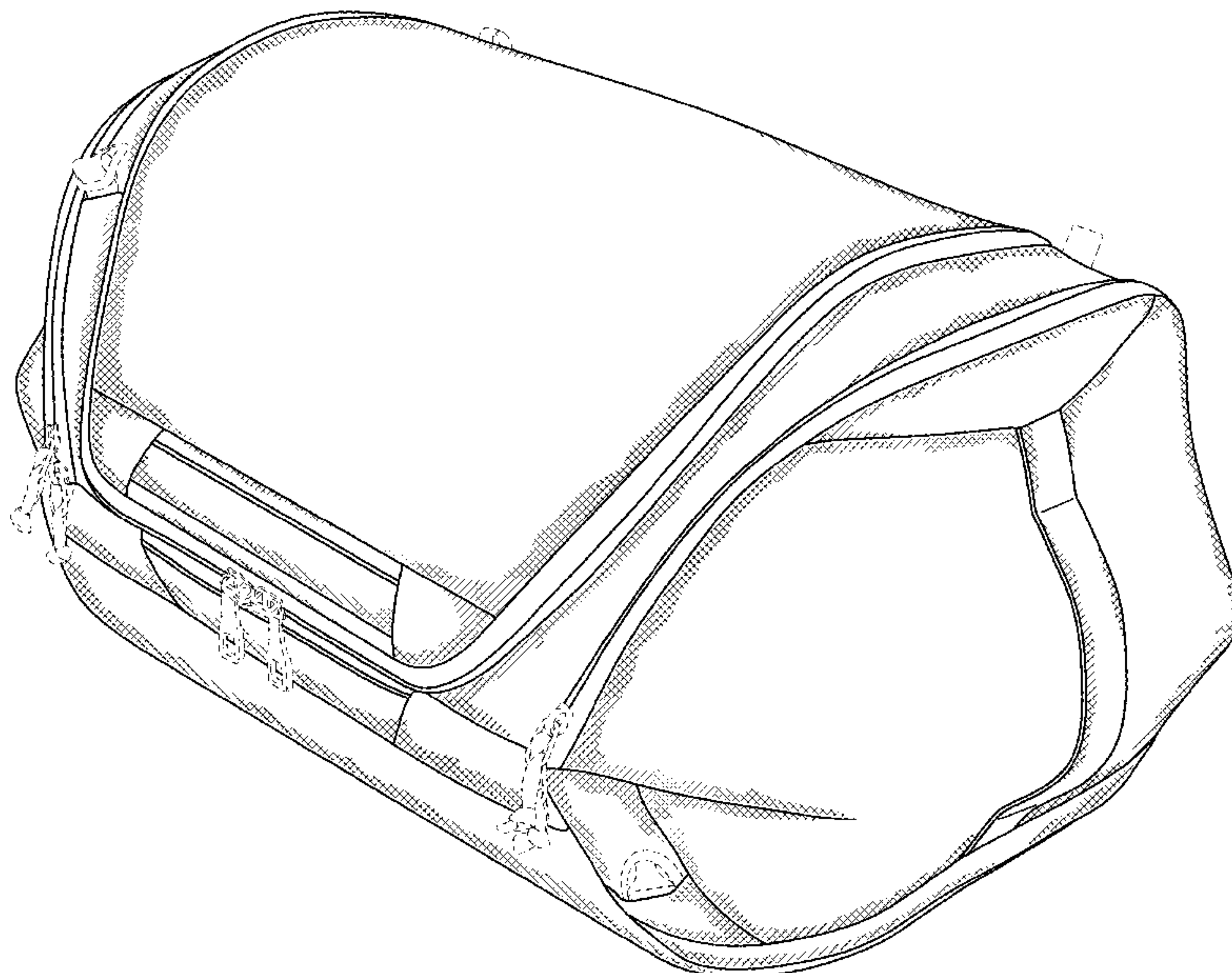
FIG. 6 is a top view thereof; and,

FIG. 7 is a bottom view thereof.

The broken lines in the figures show portions of the bag that form no part of the claimed design.

The hatched lines in the figures show shading and not surface ornamentation.

**1 Claim, 7 Drawing Sheets**



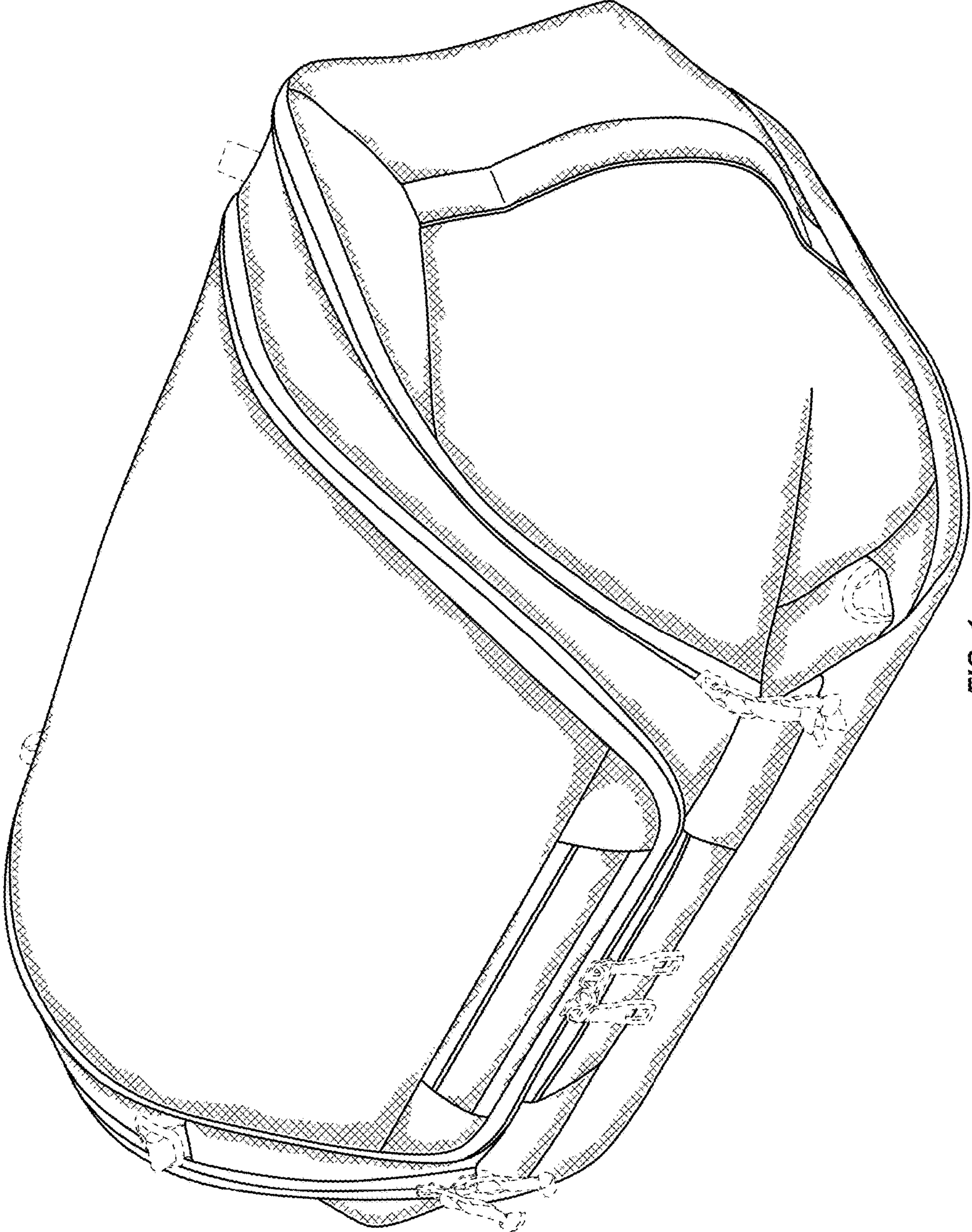


FIG. 1



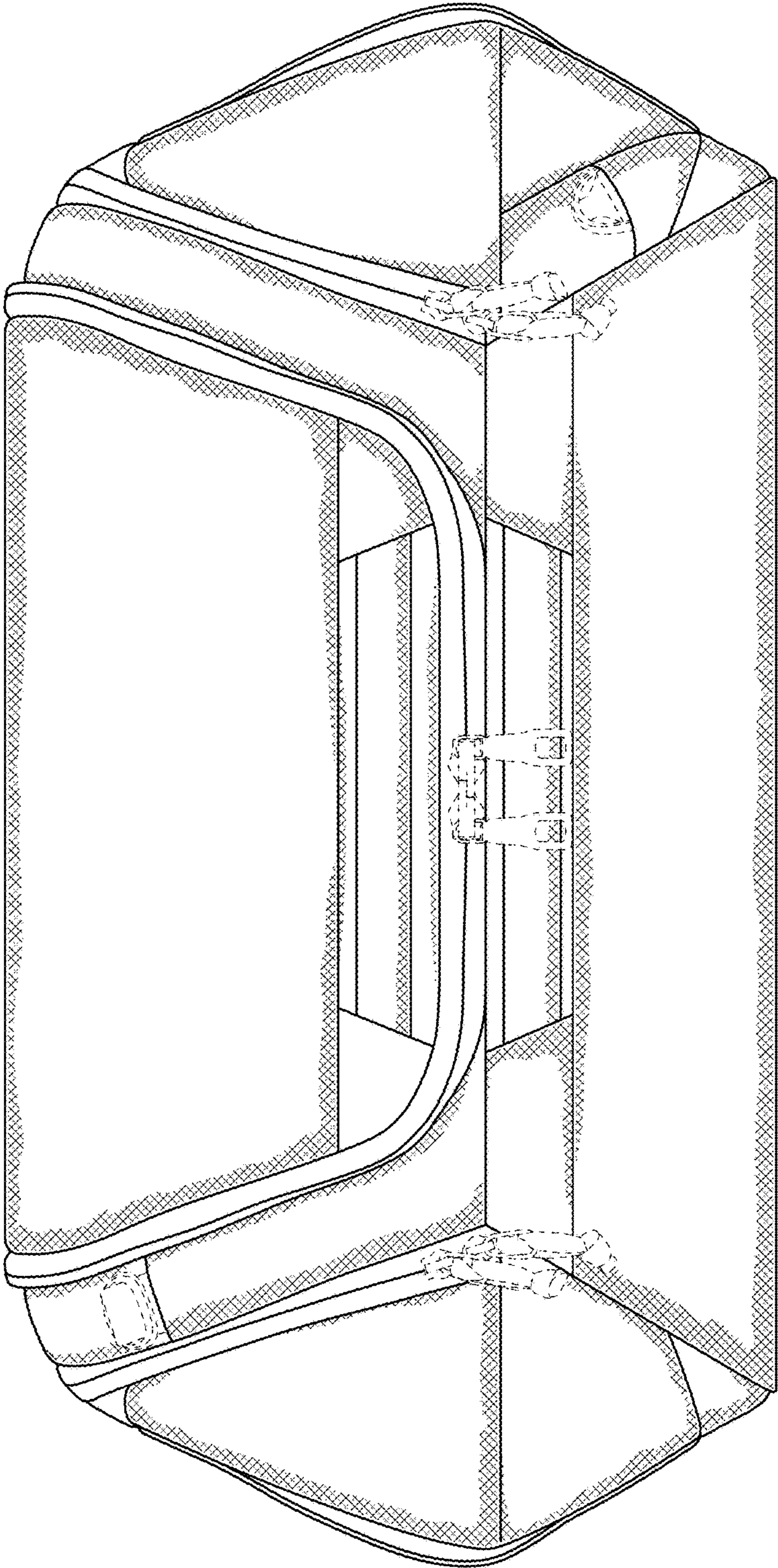


FIG. 2

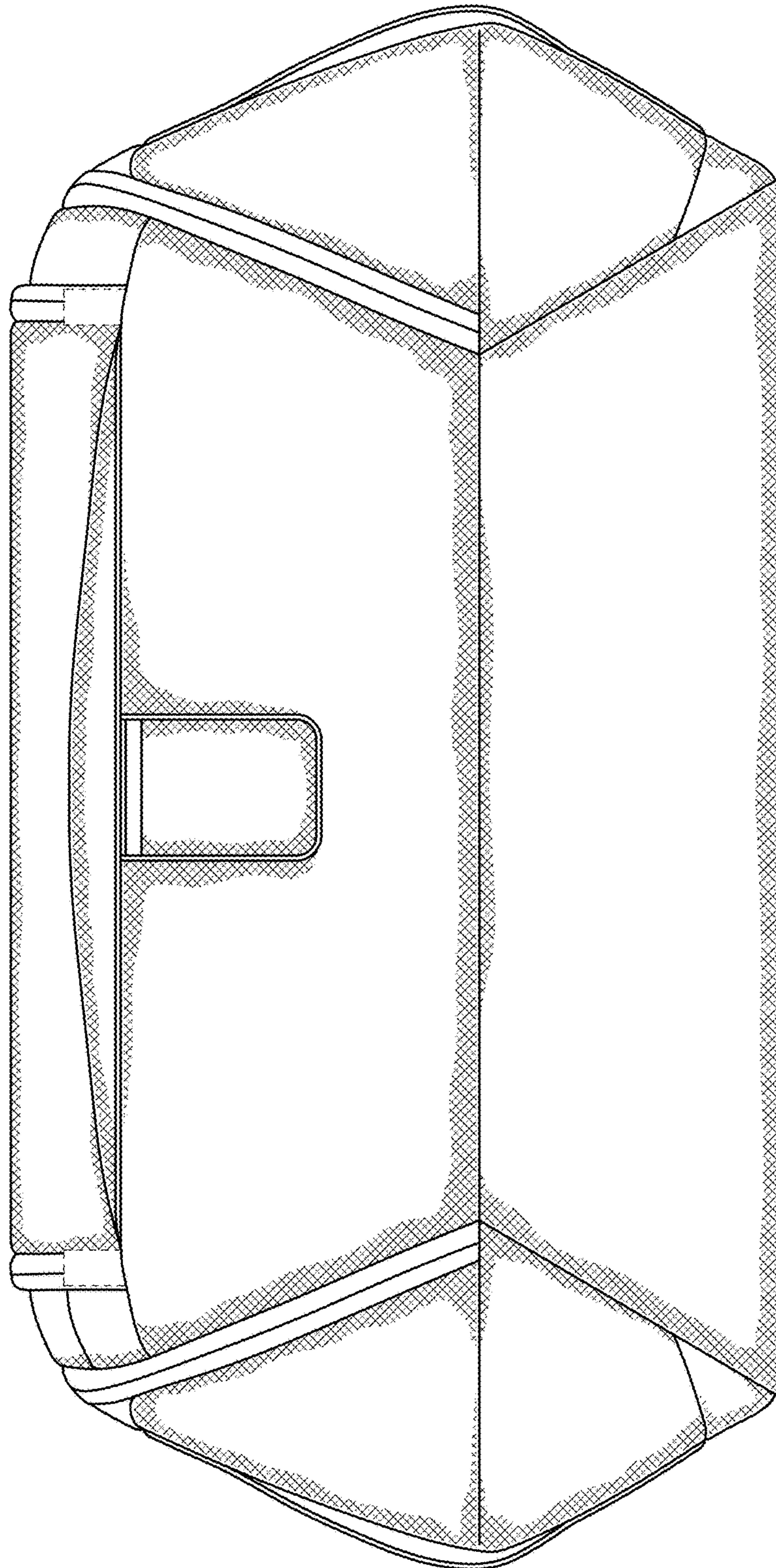


FIG. 3



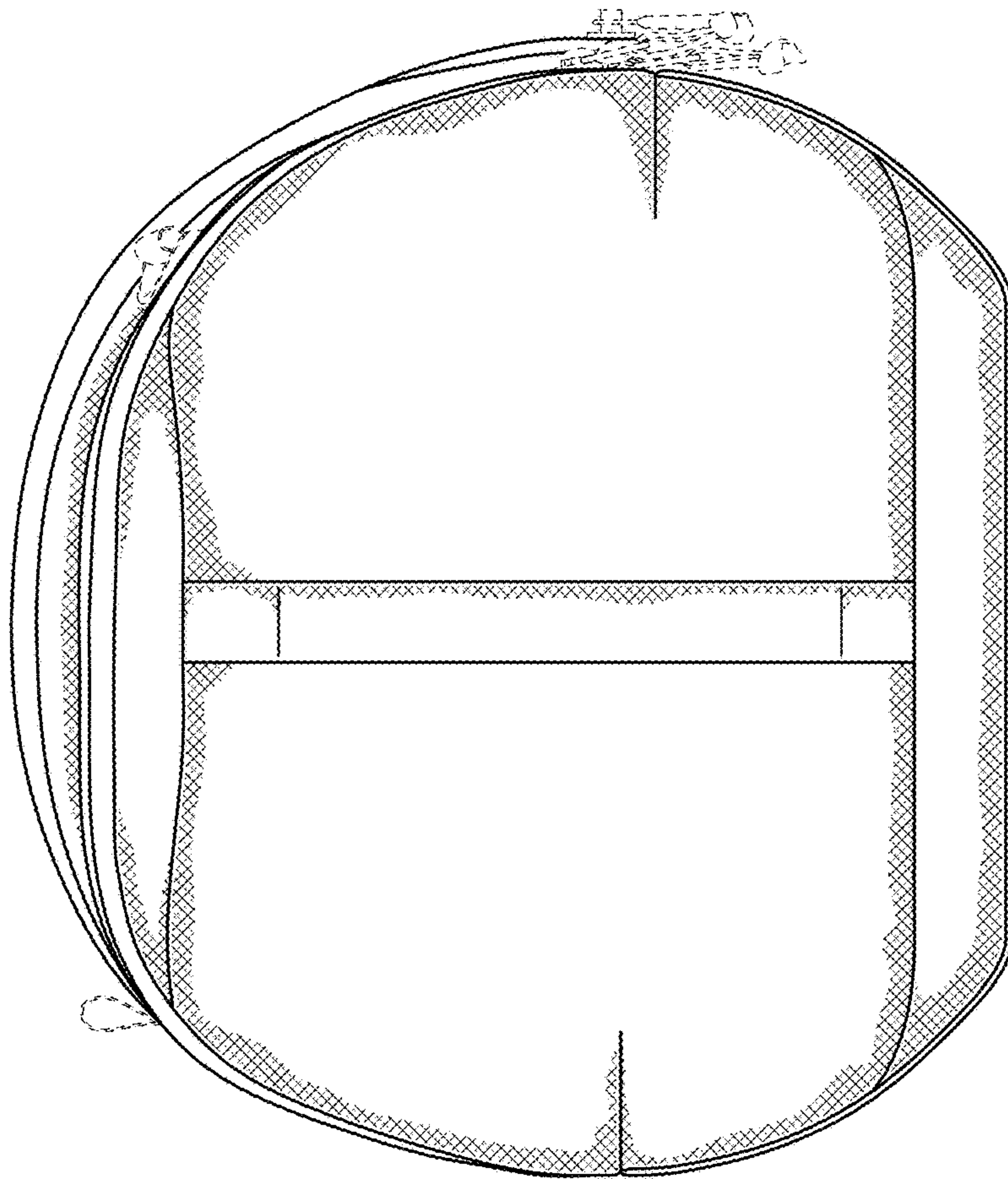


FIG. 4

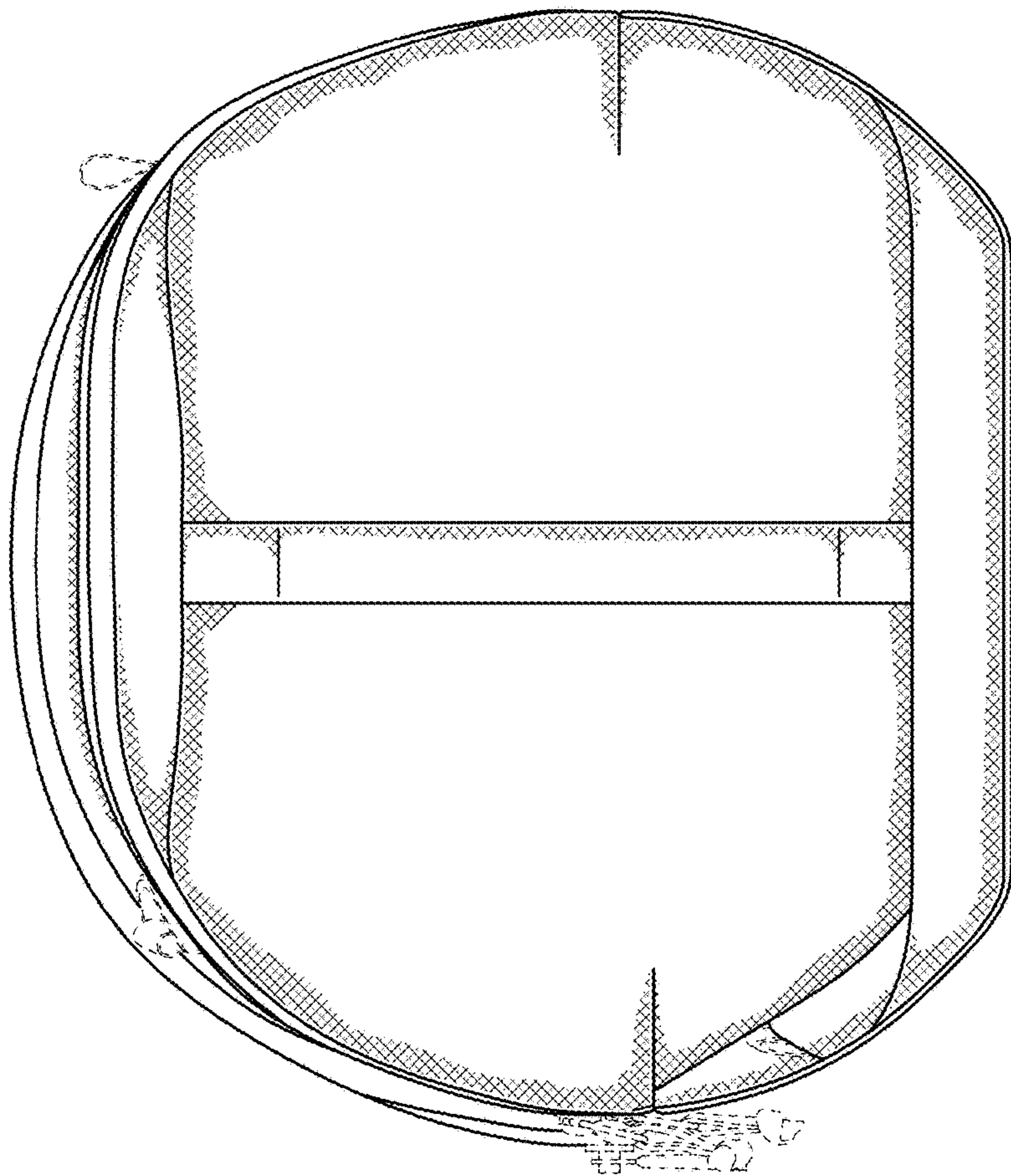


FIG. 5

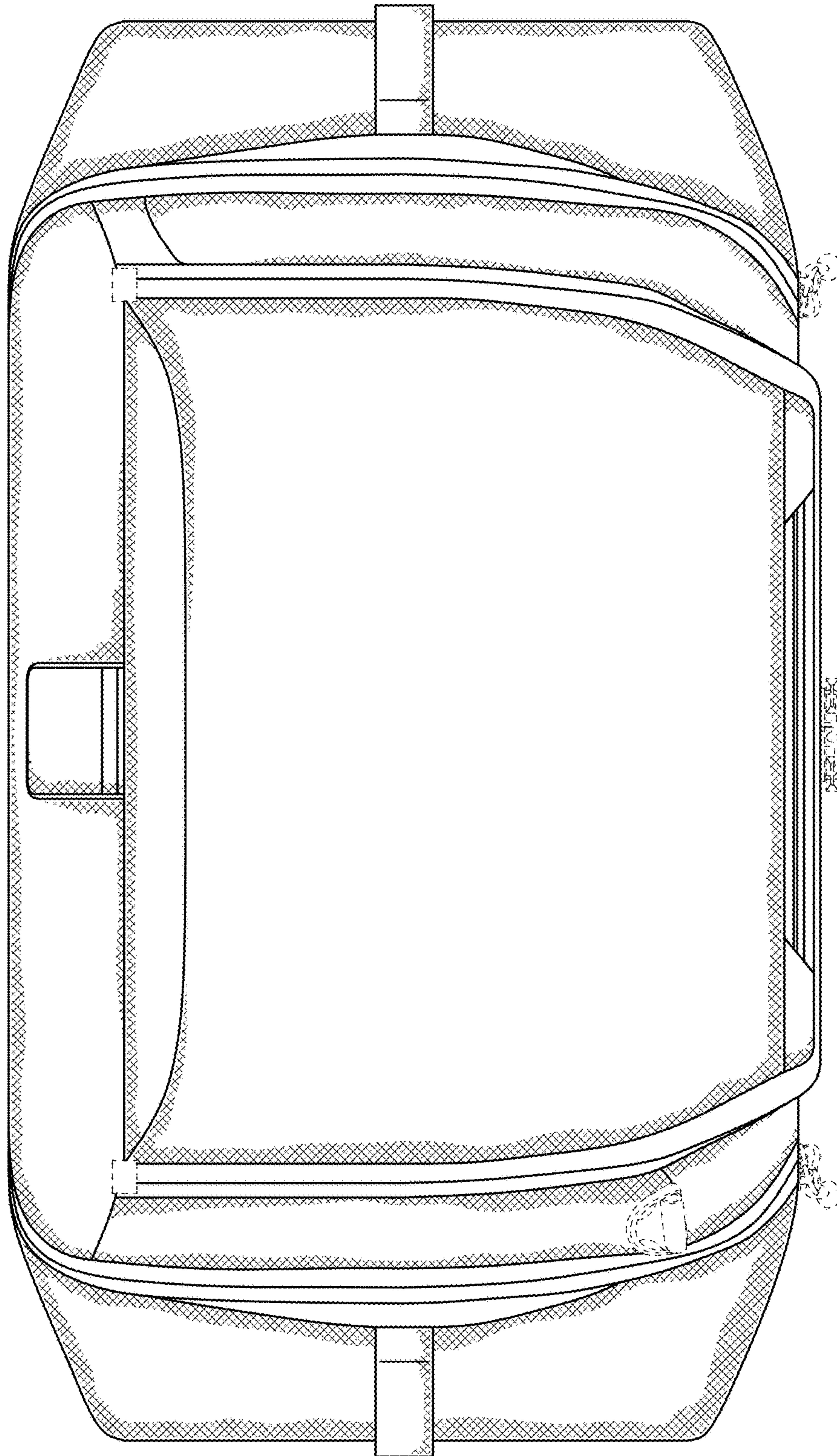


FIG. 6



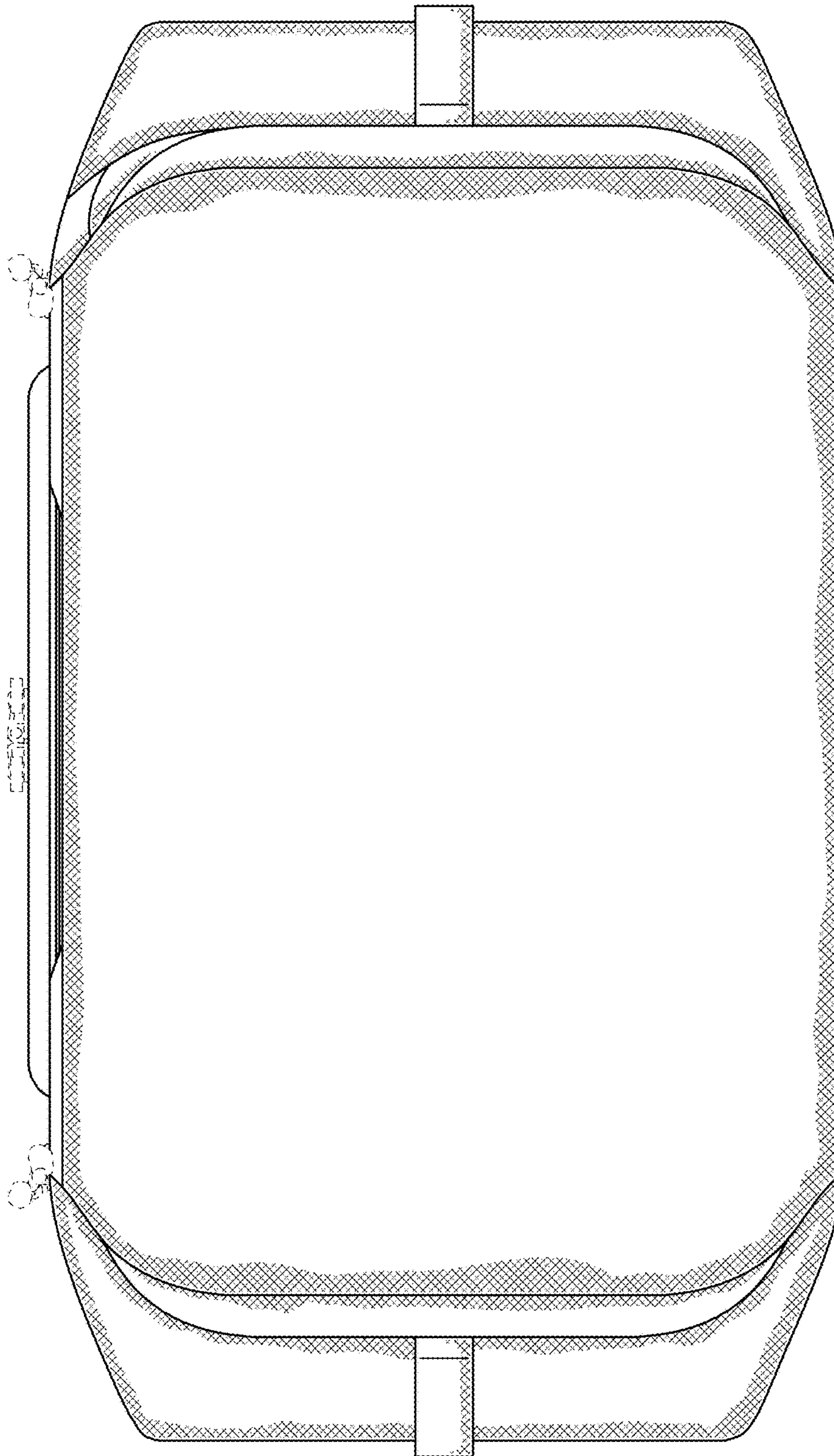


FIG. 7