

US00D872475S

(12) **United States Design Patent** (10) **Patent No.:** **US D872,475 S**
Yu (45) **Date of Patent:** **** Jan. 14, 2020**

(54) **OCTAGON-SHAPED LUGGAGE**

(71) Applicant: **Travelers Club Luggage, Inc.**, La Palma, CA (US)

(72) Inventor: **Peter Yu**, La Palma, CA (US)

(73) Assignee: **Travelers Club Luggage, Inc.**, La Palma, CA (US)

(**) Term: **15 Years**

(21) Appl. No.: **29/649,127**

(22) Filed: **May 25, 2018**

(51) **LOC (12) Cl.** **03-01**

(52) **U.S. Cl.**
USPC **D3/279; D3/289**

(58) **Field of Classification Search**
USPC D3/273, 276, 279, 902, 321, 289
CPC A45C 2003/008; A45C 3/02; A45C 5/00;
A45C 5/03; A45C 5/14; A45C 2005/032;
A45C 2005/035; A45C 2005/037
See application file for complete search history.

(56) **References Cited**

U.S. PATENT DOCUMENTS

D79,531 S * 10/1929 Schleicher 229/163
D550,964 S * 9/2007 Bettua D3/321
D565,295 S * 4/2008 Weir D3/271.1
D660,584 S * 5/2012 Cross D3/216
D664,355 S * 7/2012 Moon D3/279
D672,955 S * 12/2012 Benshetrit D3/279
D731,182 S * 6/2015 Yu D3/279
D786,362 S * 5/2017 Pickavance D21/423
D806,395 S * 1/2018 Jacob D3/321

D806,396 S * 1/2018 Jacob D3/321
D843,713 S * 3/2019 Li D3/217
2017/0188679 A1* 7/2017 Jacob A45C 5/03

OTHER PUBLICATIONS

Traveler's Club, "Kensie Gemstone 2-Piece Travel Set", First reviewed May 4, 2019. (<https://www.travelersclub.com/collections/gemstone-collection/products/kensie-gemstone-2-piece-travel-set>) (Year: 2019).*

eBags, "Delsey Karat 4 Wheel 29" Trolley", First reviewed Nov. 11, 2011. (<https://www.ebags.com/product/delsey/karat-4-wheel-29-trolley/222802>) (Year: 2011).*

Amazon, "Kono Luggage Suitcase Trolley Case Hard Shell 4 Wheel Spinner Large Black Purple Navy Red Green 28" (Black)", First on sale Nov. 2, 2016. (<https://www.amazon.co.uk/dp/B07GV8Q183>) (Year: 2016).*

* cited by examiner

Primary Examiner — April Rivas

(74) *Attorney, Agent, or Firm* — Lee, Hong, Degerman, Kang & Waimey

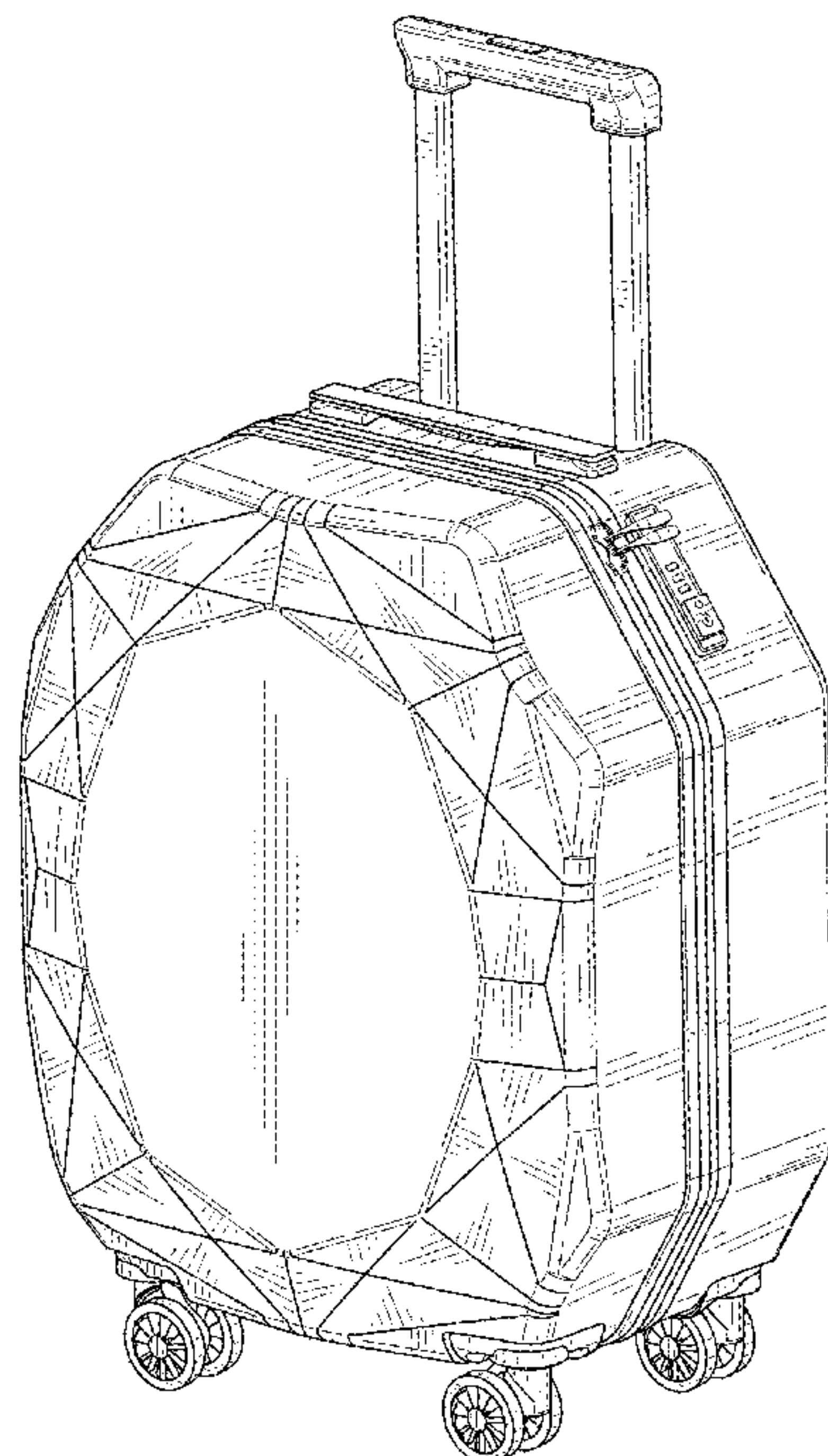
(57) **CLAIM**

The ornamental design for an octagon-shaped luggage, as shown and described.

DESCRIPTION

FIG. 1 is a front perspective view of a luggage;
FIG. 2 is a front view thereof;
FIG. 3 is a rear view thereof;
FIG. 4 is a right side view thereof;
FIG. 5 is a left side view thereof;
FIG. 6 is a top view thereof; and,
FIG. 7 is a bottom view thereof.

1 Claim, 6 Drawing Sheets



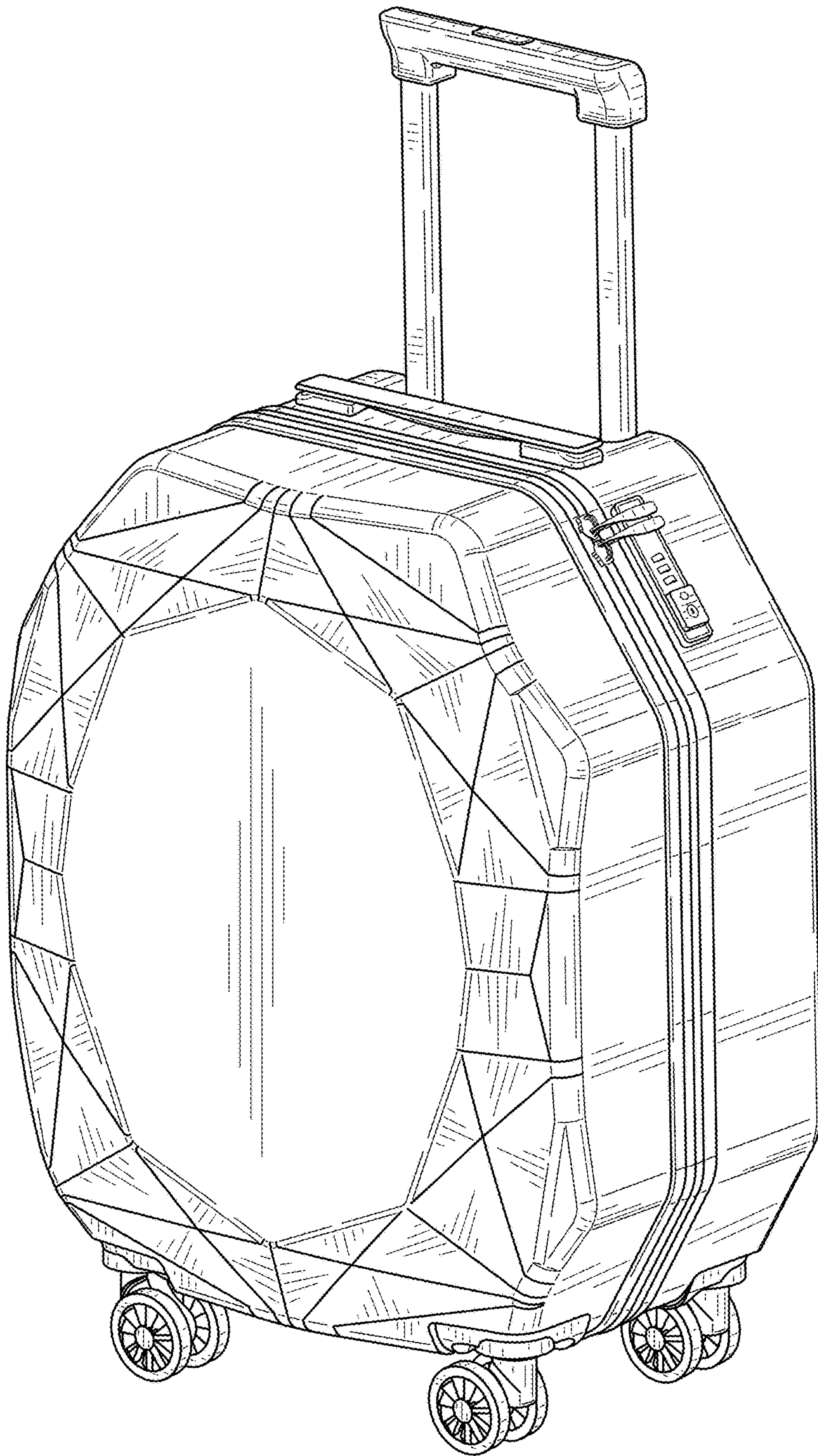


FIG. 1

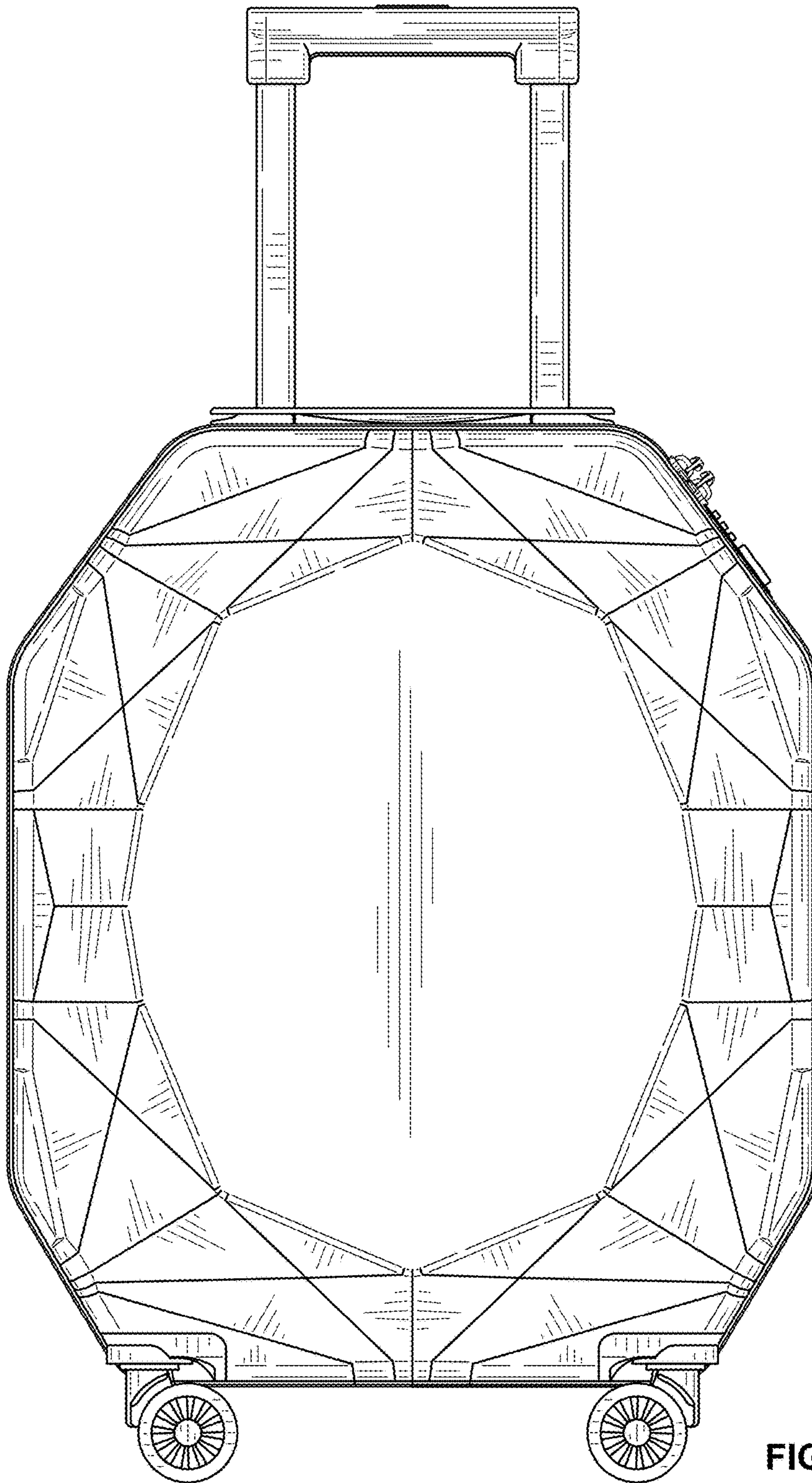


FIG. 2

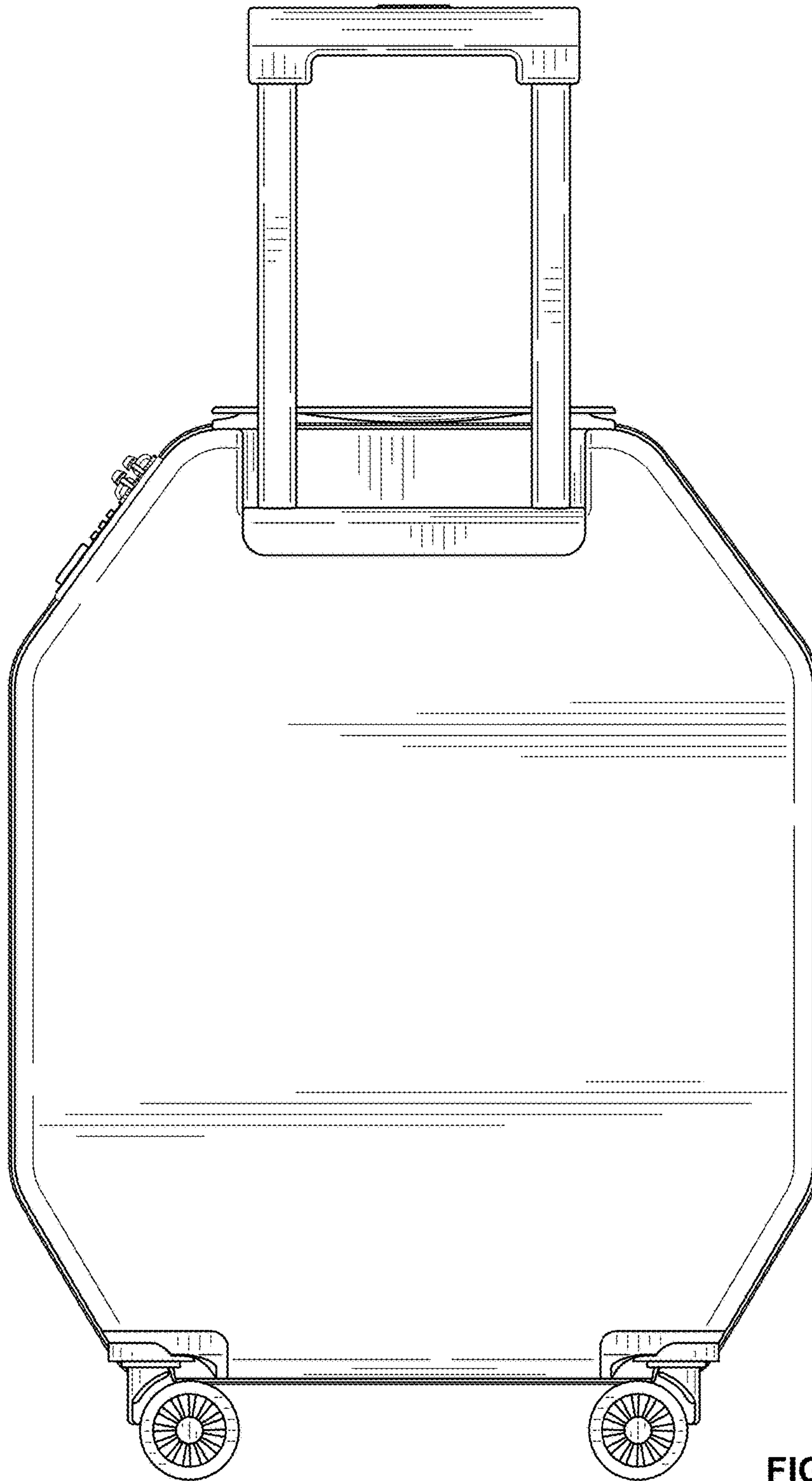


FIG. 3

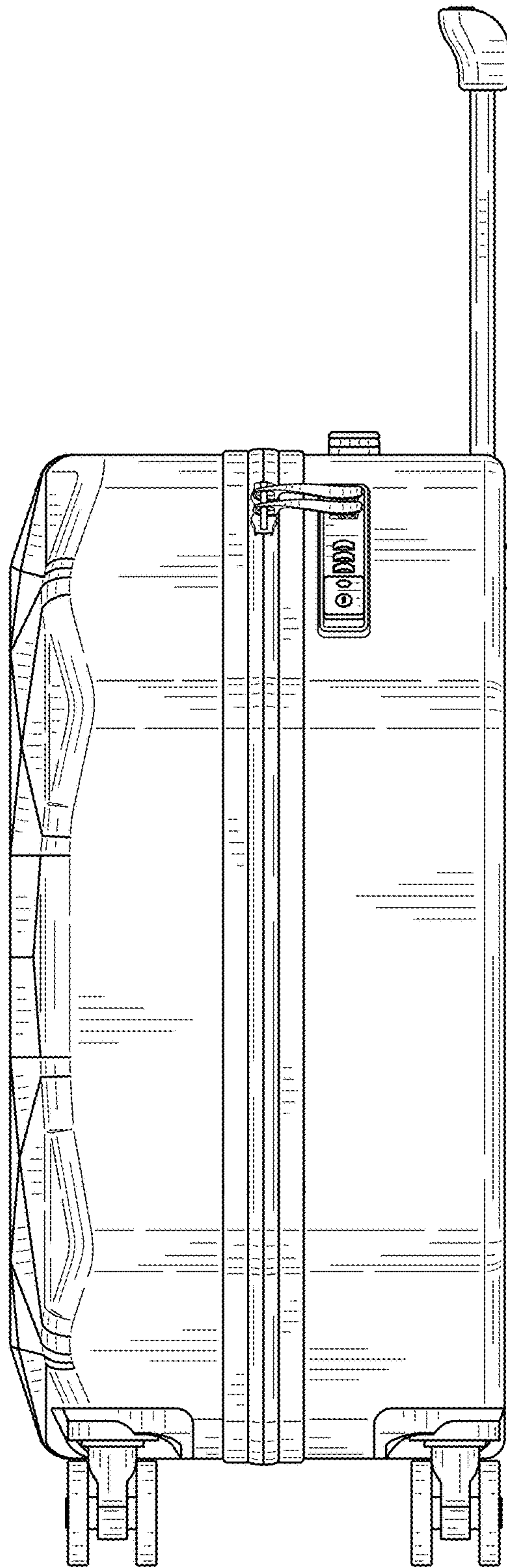


FIG. 4

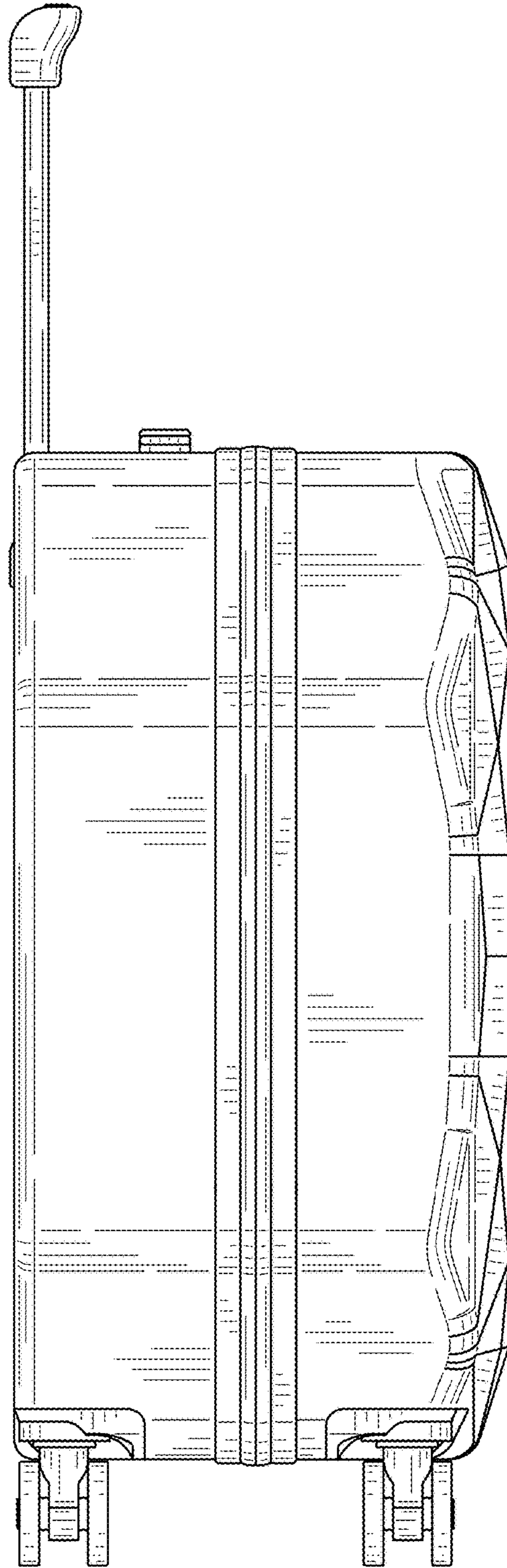


FIG. 5

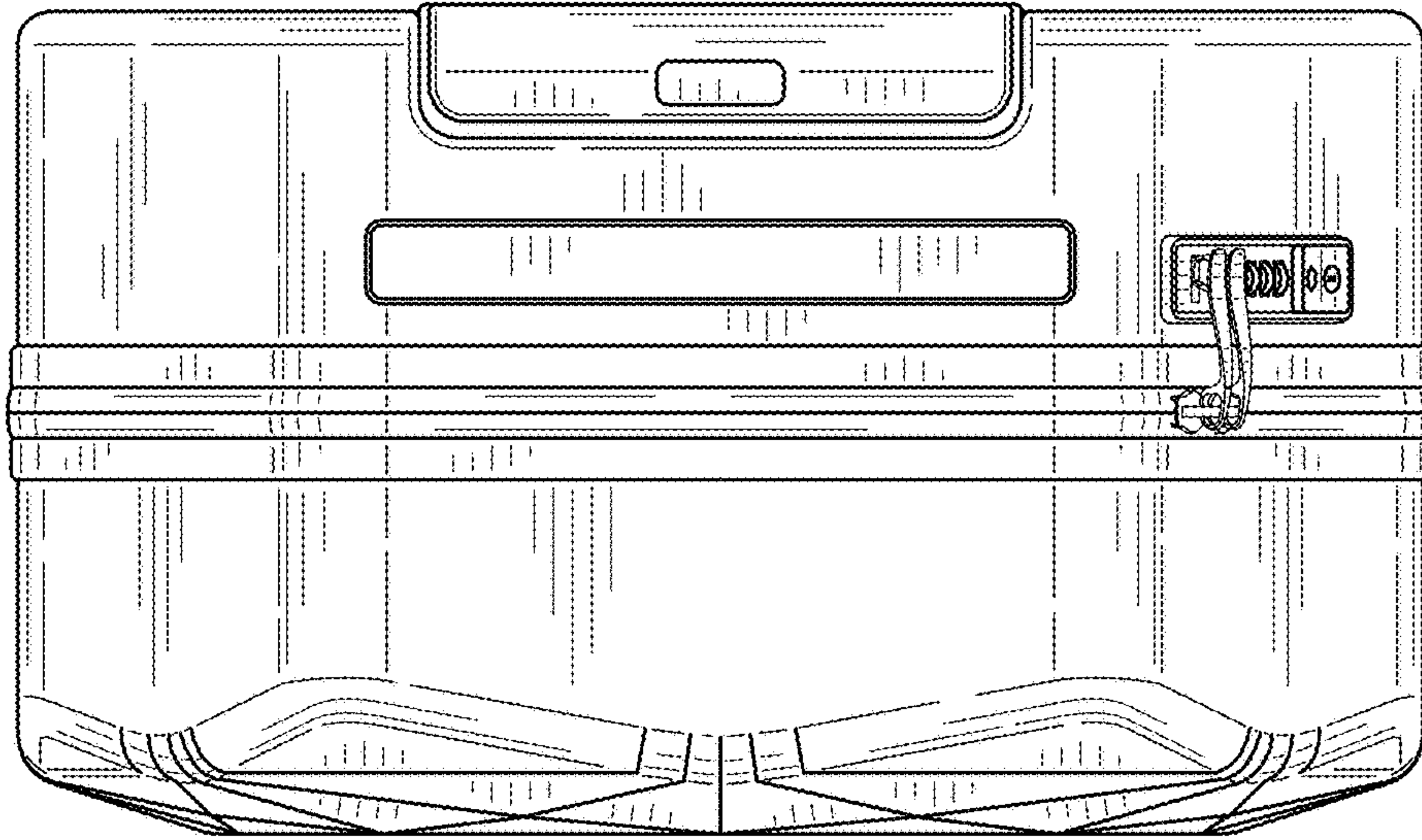


FIG. 6

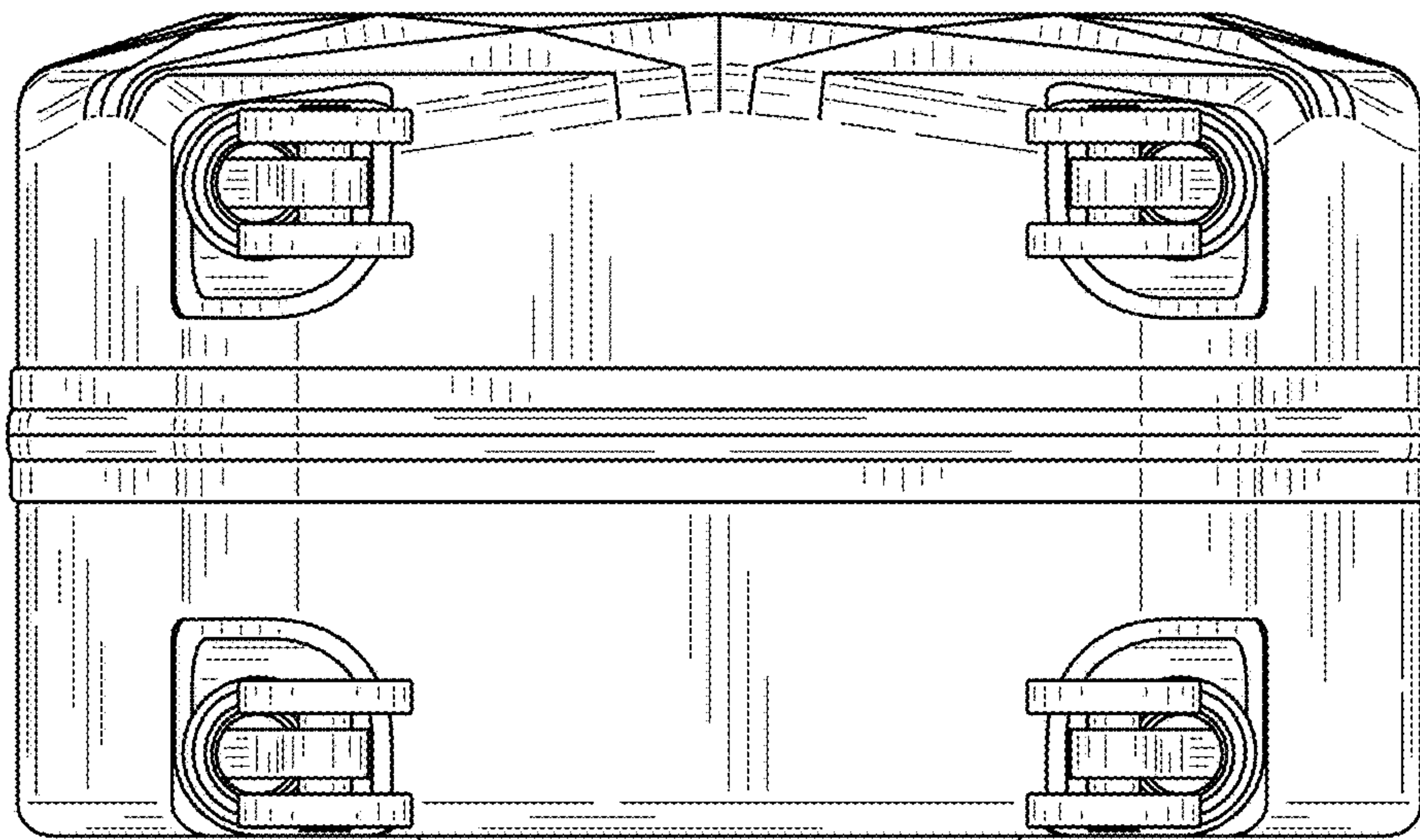


FIG. 7