



US00D872470S

(12) **United States Design Patent** (10) **Patent No.:** **US D872,470 S**  
**Beilman** (45) **Date of Patent:** **\*\* Jan. 14, 2020**

(54) **COSMETIC CASE**

FOREIGN PATENT DOCUMENTS

(71) Applicant: **Debra L. Beilman**, Ft. Lauderdale, FL (US)

GB 2363712 1/2002

(72) Inventor: **Debra L. Beilman**, Ft. Lauderdale, FL (US)

OTHER PUBLICATIONS

Youtube, "Ulta Illuminate the Day Collection | Kit De Maquillage" uploaded by user "Kadiba Beauty" on Jan. 7, 2018. ([https://www.youtube.com/watch?v=7OaEir\\_PFCc](https://www.youtube.com/watch?v=7OaEir_PFCc)) (Year: 2018).\*

(\*\*) Term: **15 Years**

(Continued)

(21) Appl. No.: **29/622,123**

*Primary Examiner* — April Rivas

(22) Filed: **Oct. 13, 2017**

(74) *Attorney, Agent, or Firm* — Malloy & Malloy, P.L.

(51) **LOC (12) Cl.** ..... **03-01**

(57) **CLAIM**

(52) **U.S. Cl.**  
USPC ..... **D3/274; D3/275; D3/284; D3/296; D3/901**

The ornamental design for a cosmetic case, as shown and described.

(58) **Field of Classification Search**

**DESCRIPTION**

USPC ..... D3/205, 245, 273, 274, 285, 287, 291, D3/294, 296, 901, 900, 903, 284, 295; D28/76, 77  
CPC ..... A45C 1/02; A45C 2003/008; A45C 3/02; A45C 5/005; A45C 2011/007; A45D 29/20; A45D 33/008

FIG. 1 is a front perspective view illustrating my design for a cosmetic case;  
FIG. 2 is a front elevation view thereof;  
FIG. 3 is a left side view thereof;  
FIG. 4 is a top view thereof;  
FIG. 5 is a right side view thereof;  
FIG. 6 is a bottom view thereof;  
FIG. 7 is a rear view thereof;  
FIG. 8 is a partially open front perspective view thereof;  
FIG. 9 is a perspective view of my design in a partially open orientation with an insert shown exploded;  
FIG. 10 is a perspective view of my design in a fully open orientation with an insert shown exploded;  
FIG. 11 is a front perspective view of the previously exploded insert in a closed orientation; and,  
FIG. 12 is a front perspective view of the exploded insert in an open orientation.

See application file for complete search history.

The insert is shown alone in FIGS. 11 and 12 for convenience of illustration only.

The broken lines illustrate stitching and form part of the claimed design.

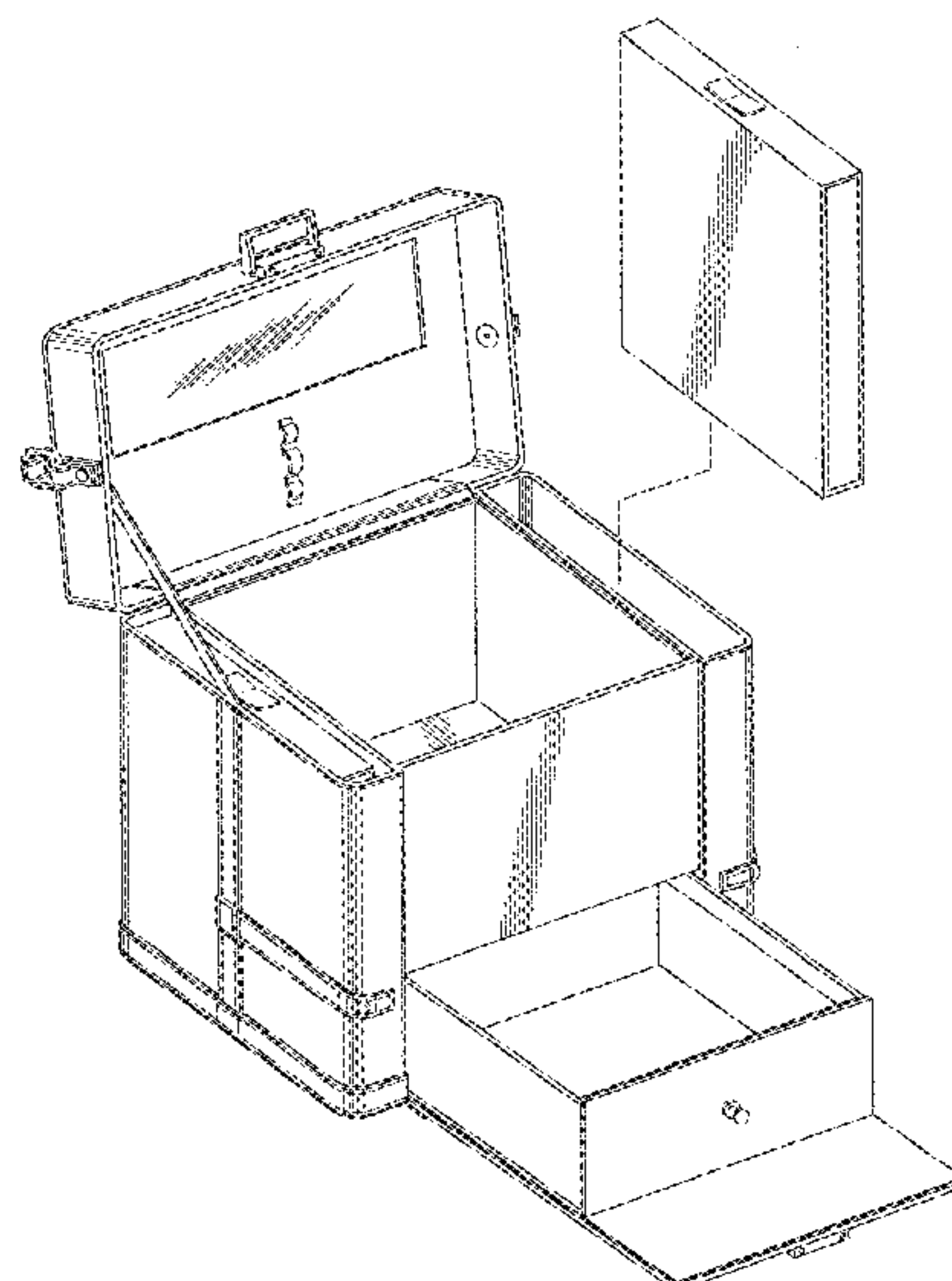
(56) **References Cited**

U.S. PATENT DOCUMENTS

1,414,899	A	5/1922	Sabatelli
1,592,457	A	7/1926	Greenberg
2,003,824	A	6/1935	Cavalero
2,084,292	A	6/1937	Steiner
D108,590	S	2/1938	Zell
2,117,140	A	5/1938	Bowen
D111,177	S	9/1938	Gamble
2,278,866	A	4/1942	Dell'elba
D139,428	S	11/1944	Morris
D162,402	S	3/1951	Gold
2,570,314	A	10/1951	Brand
2,649,799	A	8/1953	Spertus
2,916,841	A	12/1959	Denis

(Continued)

**1 Claim, 11 Drawing Sheets**





(56)

References Cited

U.S. PATENT DOCUMENTS

D202,160 S \* 8/1965 Territo ..... D3/284  
 D224,921 S 10/1972 Daniels et al.  
 D230,773 S 3/1974 Arnold  
 3,921,649 A 11/1975 Milbrath  
 4,509,622 A 4/1985 Morszeck  
 4,526,273 A 7/1985 Tsuji et al.  
 4,574,944 A 3/1986 Gregory  
 D293,724 S 1/1988 Kingsford et al.  
 D308,756 S 6/1990 Turner  
 D321,284 S 11/1991 Marsella et al.  
 D342,156 S 12/1993 Turner  
 D344,412 S 2/1994 Barnhart  
 D351,729 S \* 10/1994 Weber-Unger ..... D3/202  
 5,363,969 A 11/1994 Shen  
 D361,430 S 8/1995 Mohundro  
 D370,342 S 6/1996 Gwyther  
 5,813,420 A 9/1998 Sussman  
 D411,648 S 6/1999 Markham  
 D413,627 S 9/1999 Gray  
 D415,614 S 10/1999 Akaike  
 D417,783 S \* 12/1999 Wolf ..... D3/275  
 D418,298 S 1/2000 Wolf  
 6,045,202 A 4/2000 Simon  
 D444,596 S 7/2001 Lai  
 6,349,494 B1 2/2002 Haggarty-Robbins  
 D454,687 S 3/2002 Wolf  
 D455,550 S 4/2002 Wolf  
 D455,902 S 4/2002 Wolf  
 D457,687 S 5/2002 Millar  
 D467,428 S 12/2002 Wolf  
 D471,010 S 3/2003 Wolf  
 D475,197 S 6/2003 Stoddard  
 D475,811 S 6/2003 Bontempo  
 D480,211 S 10/2003 Wolf  
 D482,210 S 11/2003 Bishop  
 D485,018 S 1/2004 Beilman  
 D485,066 S \* 1/2004 Wolf ..... D3/291  
 D485,067 S \* 1/2004 Wolf ..... D3/291  
 D485,682 S \* 1/2004 Wolf ..... D3/291  
 D493,919 S 8/2004 Beilman  
 D496,791 S 10/2004 Perella et al.  
 D499,883 S 12/2004 Parella  
 D504,039 S 4/2005 Perella  
 D510,189 S 10/2005 Greiner  
 D517,737 S 3/2006 Lai  
 D522,746 S 6/2006 Perella  
 D522,748 S 6/2006 Kim  
 D524,989 S 7/2006 Lombardi  
 D527,521 S 9/2006 Simons  
 D542,475 S 5/2007 Martinez  
 D561,462 S 2/2008 Perella  
 D577,196 S 9/2008 Hayden  
 D588,810 S 3/2009 Rowlett et al.  
 D614,814 S 4/2010 Lin  
 D631,201 S 1/2011 Lai  
 D642,373 S 8/2011 Decarlo  
 D657,915 S 4/2012 Lai  
 D671,742 S 4/2012 Cenzano et al.  
 D687,187 S 7/2013 Lai  
 D688,006 S 8/2013 Lai  
 D688,831 S 8/2013 Giardina  
 D692,183 S 10/2013 Lai  
 D723,794 S 3/2015 Lai  
 D728,860 S 5/2015 Blanch  
 D732,519 S 6/2015 Aspinall et al.  
 D734,549 S 7/2015 Waller  
 D735,993 S 8/2015 Koepke et al.  
 D736,519 S 8/2015 Chui  
 D740,019 S 10/2015 Hynek  
 D745,276 S 12/2015 Wang  
 D752,290 S 3/2016 Beilman et al.  
 D757,434 S \* 5/2016 Beilman ..... D28/76  
 D770,770 S 11/2016 White  
 D773,185 S 12/2016 Beilman et al.  
 D773,186 S \* 12/2016 Beilman ..... D3/284

D774,759 S \* 12/2016 Beilman ..... D3/284  
 D777,429 S 1/2017 Mangano  
 D779,201 S 2/2017 Beilman et al.  
 D831,353 S 10/2018 Aderinto  
 D839,585 S \* 2/2019 Beilman ..... D3/205  
 2004/0003825 A1 \* 1/2004 Kelly ..... A45D 33/008  
 132/301  
 2004/0188275 A1 \* 9/2004 Wolf ..... A45C 11/16  
 206/6.1  
 2007/0235056 A1 10/2007 Vintimiglia et al.  
 2009/0139878 A1 6/2009 Wejrowski  
 2014/0299151 A1 10/2014 Stroud  
 2015/0114852 A1 \* 4/2015 Torline ..... A47F 7/03  
 206/6.1

OTHER PUBLICATIONS

DIY Trade, "Handle Makeup Case", Image 6 indicated with an arrow and square, Accessed Apr. 13, 2016. ([http://www.diytrade.com/china/pd/127871\\_83/Handle\\_make\\_up\\_case.html](http://www.diytrade.com/china/pd/127871_83/Handle_make_up_case.html)).  
 Alibaba, "Cute Pink PU leather jewelry boxes with handle", Accessed Apr. 13, 2016. ([www.alibaba.com/product-detail/Pink-Cute-PU-leather-jewellery-boxes\\_472697380.html](http://www.alibaba.com/product-detail/Pink-Cute-PU-leather-jewellery-boxes_472697380.html)).  
 Aliexpress, "Free Shipping With independent small bag earrings necklaces . . . space jewelry box". Jul. 21, 2016.  
 The Cosmetic Center Advertising Circular, 1991, Second Page Item Q on Lower Left.  
 Hong Kong Enterprise Jun. 1993, p. 202: Item No. G902OB.  
 Hong Kong Enterprise Oct. 1994, P. 760: Item No. M17D.  
 Cameo Cosmetics. "M229 Train Case". Accessed Nov. 2, 2015. (<http://www.cameocosmetics.com/m229-train-case/>).  
 Google Image Search. "Ulta Sparkle Shine Kit", Accessed Nov. 2, 2015. ([https://www.google.com/search?q=ulta+sparkle+shine+kit&es\\_sm=122&source=lnms&tbm=isch&sa=X&ved=0CAgQAUoAmoVChMlu4T-5Y\\_yyAIVgWomCh0mWgkD&biw=1920&bih=1067#imgrc=uWr-Z3gEyjn0MM%3A](https://www.google.com/search?q=ulta+sparkle+shine+kit&es_sm=122&source=lnms&tbm=isch&sa=X&ved=0CAgQAUoAmoVChMlu4T-5Y_yyAIVgWomCh0mWgkD&biw=1920&bih=1067#imgrc=uWr-Z3gEyjn0MM%3A)).  
 Amazon.com, "Ivation All-In-One Makeup Kit in Highly Fashionable Red Leather-look Train Case". Reviewed Sep. 21, 2014. Accessed Oct. 30, 2015. ([http://www.amazon.com/Ivation-All-In-One-Makeup-Fashionable-Leather-look/dp/B00N9A78HG/ref=cm\\_cr\\_pr\\_product\\_top?ie=UTF8](http://www.amazon.com/Ivation-All-In-One-Makeup-Fashionable-Leather-look/dp/B00N9A78HG/ref=cm_cr_pr_product_top?ie=UTF8)).  
 Amazon.com, "Shany All in One Makeup Kit". Reviewed Nov. 12, 2012. Accessed Sep. 30, 2015. ([http://www.amazon.com/SHANY-Eyeshadow-Blushes-Lipstick-Exclusive/dp/B008PW0PY6/ref=cm\\_cr\\_pr\\_product\\_top?ie=UTF8](http://www.amazon.com/SHANY-Eyeshadow-Blushes-Lipstick-Exclusive/dp/B008PW0PY6/ref=cm_cr_pr_product_top?ie=UTF8)).  
 Giordano Colors, "Catalog" p. 2, item indicated with arrow. Accessed Oct. 30, 2015. (<http://www.giordanocolors.com/#!products/c24vq>).  
 youtube.com user "Supermodel Secrets", "Listen Listen Listen! Shany USA Home and Professional Make Up Sets Review" Video published Jan. 2, 2013. Accessed Oct. 30, 2015. (<https://www.youtube.com/watch?v=9NbzrCG2D2U>).  
 Avon Lady of NJ Blog. "Are you set to give?!", posted Nov. 23, 2013. Accessed Nov. 2, 2015. p. 2 "Gilded Treasures Makeup Set" (<http://avonladynj.com/2013/11/23/are-you-set-to-give/>).  
 YouTube, "Giveaway Prize Details! Ulta Be Discovered 67 Piece Collection", (3:50-8:32 relevant), Posted Nov. 20, 2015, Accessed Apr. 6, 2016, (<https://www.youtube.com/watch?v=Azu7Qdta8Po>).  
 AliExpress, ". . . Yellow Jewelry holder Elliptic Large space jewelry box", Accessed Apr. 13, 2016, (<http://www.aliexpress.com/...pendants-yellowjewelry-holder-Elliptic-Large-space-jewelry/1388033940.html?spm=2114.40010308.4.105.DL9Gbr>).  
 Freebies for a Cause Blog, "Ulta:\$175 Worth of Ulta Cosmetics Just \$22.44 Shipped! . . .", Accessed Apr. 6, 2016. Posed Oct. 4, 2015. (<http://freebiesforacause.com/ulta-175-worth-of-ulta-cosmetics-just-22-44-sguooed-plust-possible-2x-ultamate-rewards-points/>).  
 Amazon.com, "Shany Carry All Trunk Professional Makeup Kit" Accessed Apr. 6, 2016, Reviewed as early as Dec. 2, 2010. ([http://www.amazon.com/gp/product/B002XXAUE8/ref=s9\\_dcacsd\\_bhz\\_bw\\_c\\_x\\_1](http://www.amazon.com/gp/product/B002XXAUE8/ref=s9_dcacsd_bhz_bw_c_x_1)).

(56)

**References Cited**

OTHER PUBLICATIONS

Ulta Beauty, "Soho Triple Slider Burgundy Wine Beauty Case", First Reviewed "2 Years Ago". (<http://www.ulta.com/triple-slider-burgundy-wine-beauty-case?productId=xlsImpprod14621153>) (Year: 2017).

\* cited by examiner

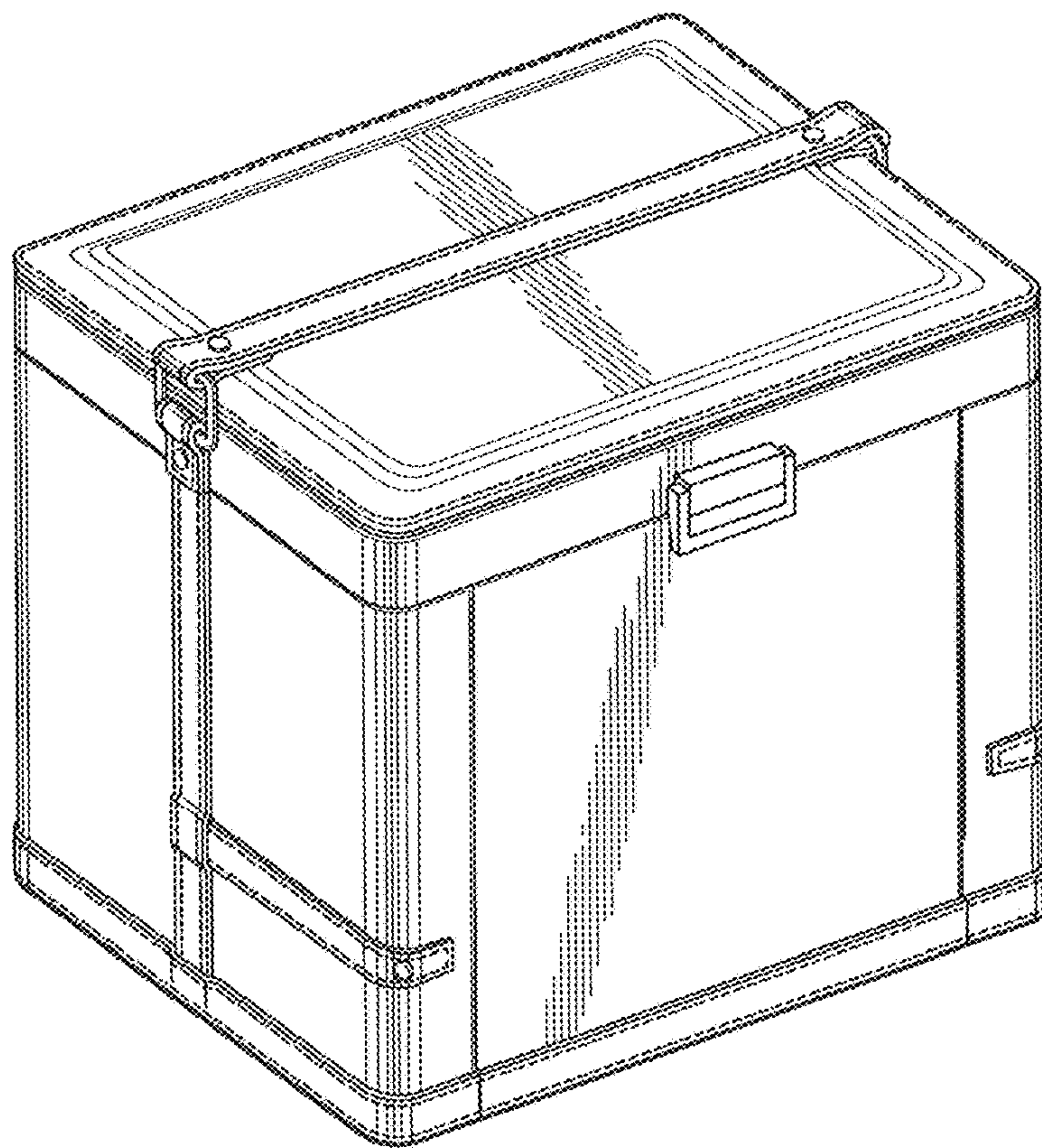


FIG. 1



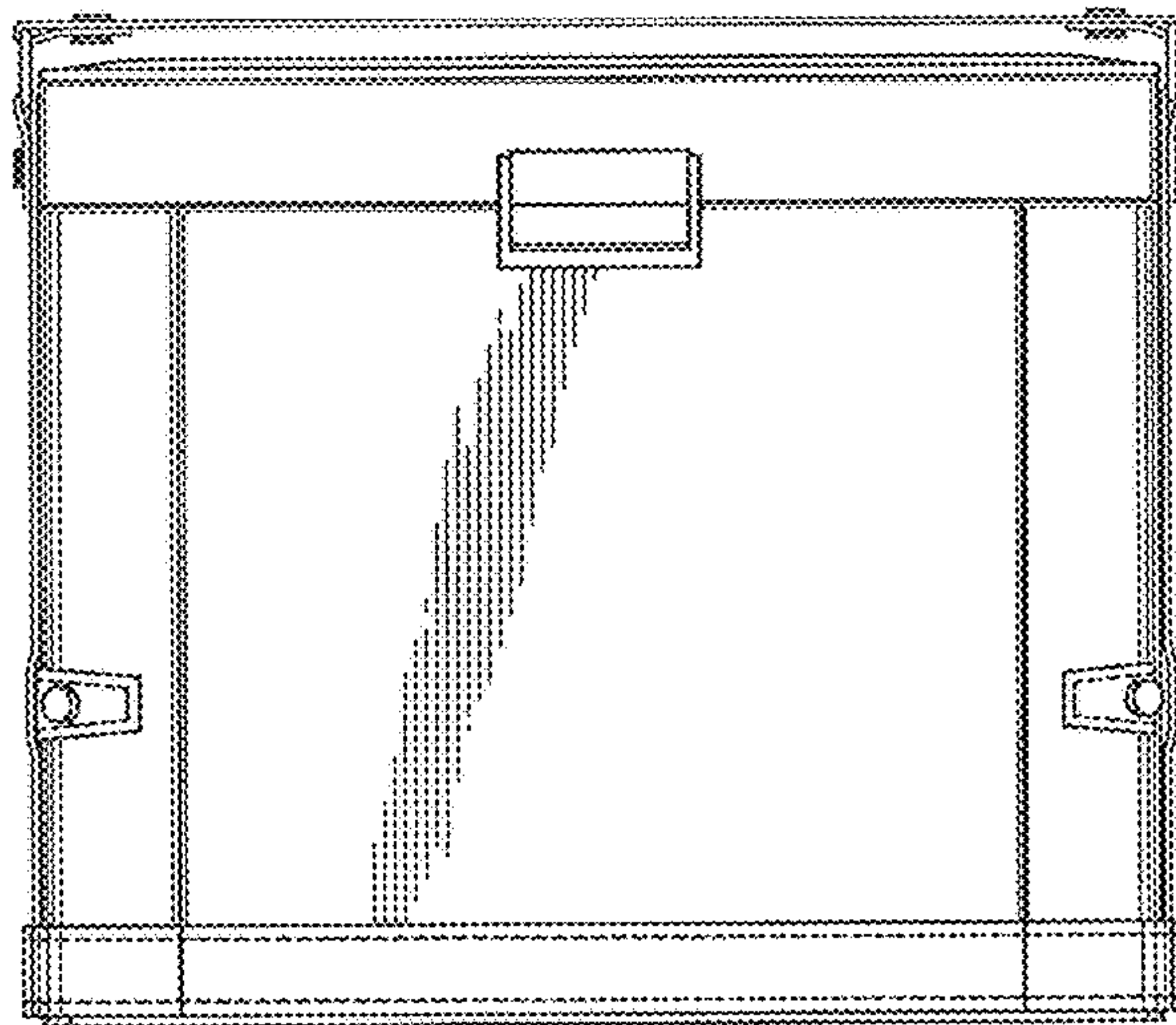


FIG. 2

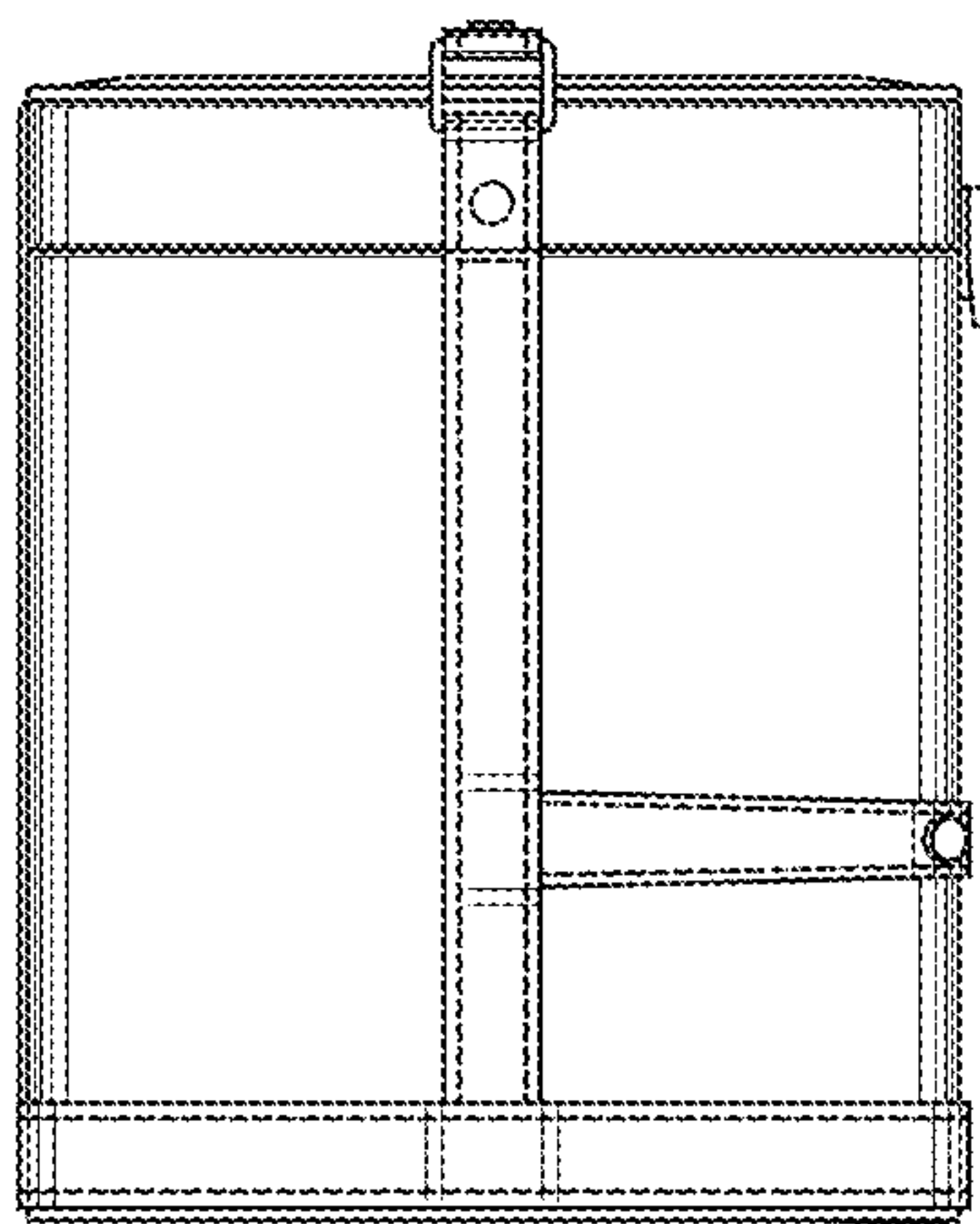


FIG. 3

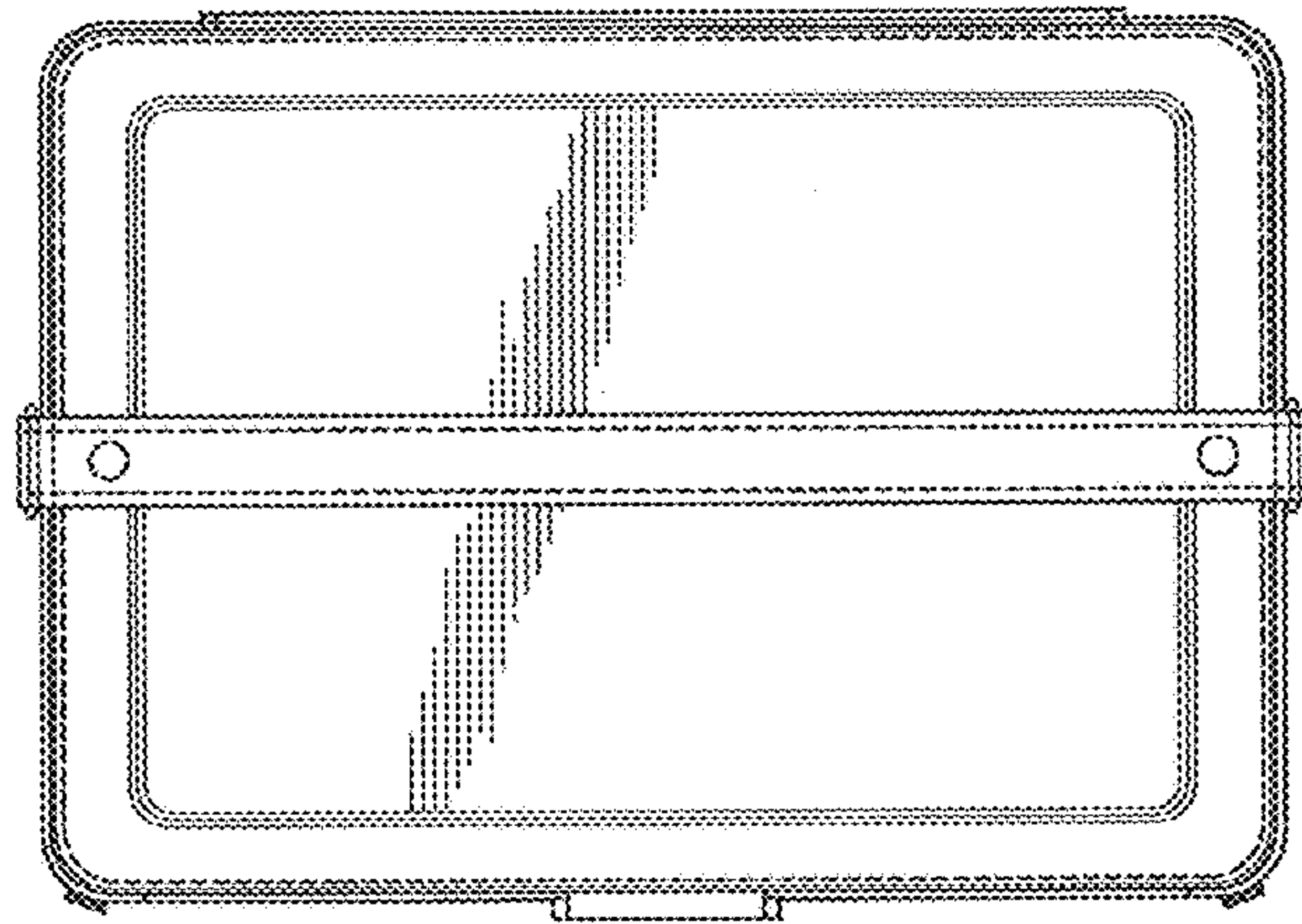


FIG. 4

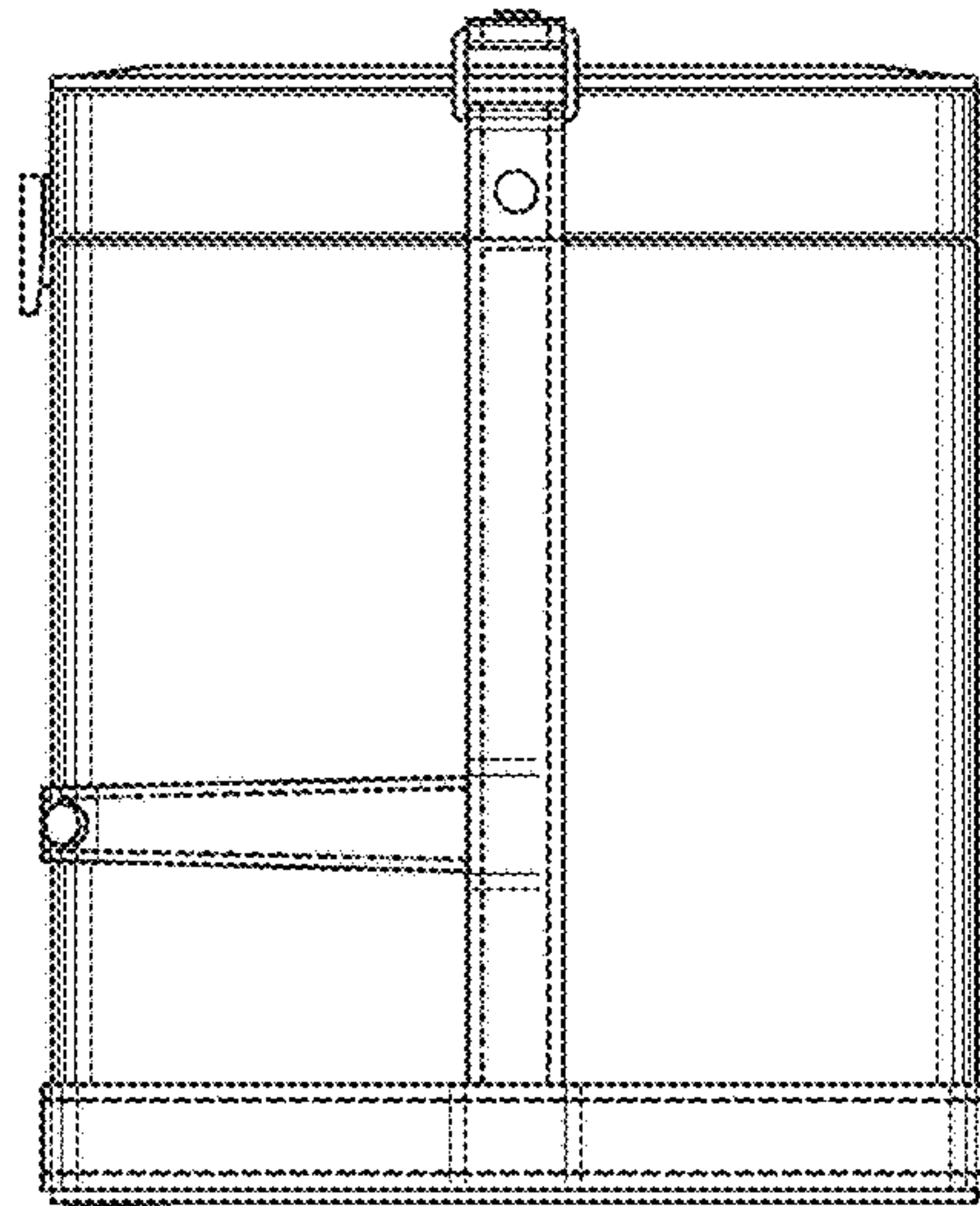


FIG. 5



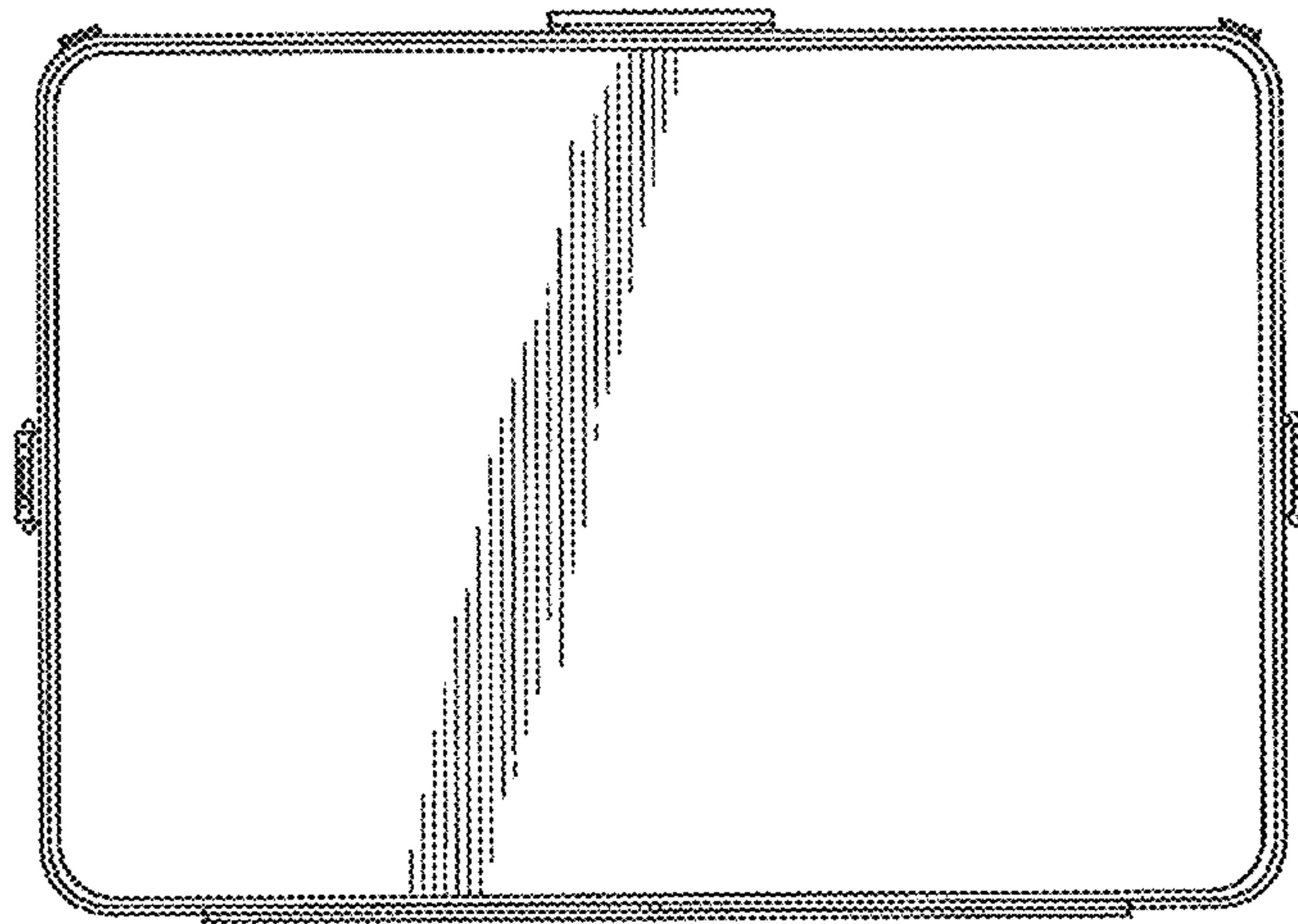


FIG. 6

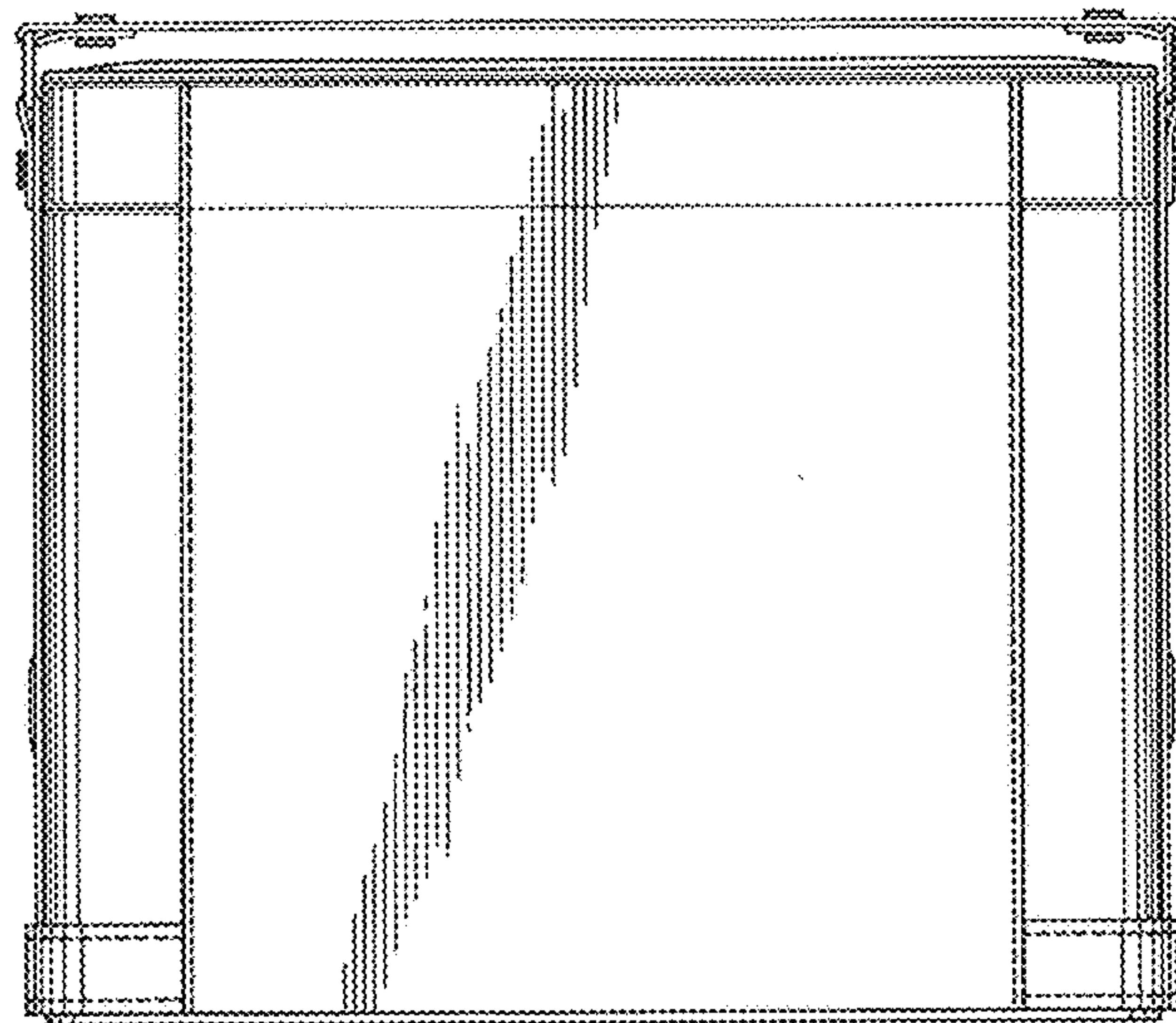


FIG. 7

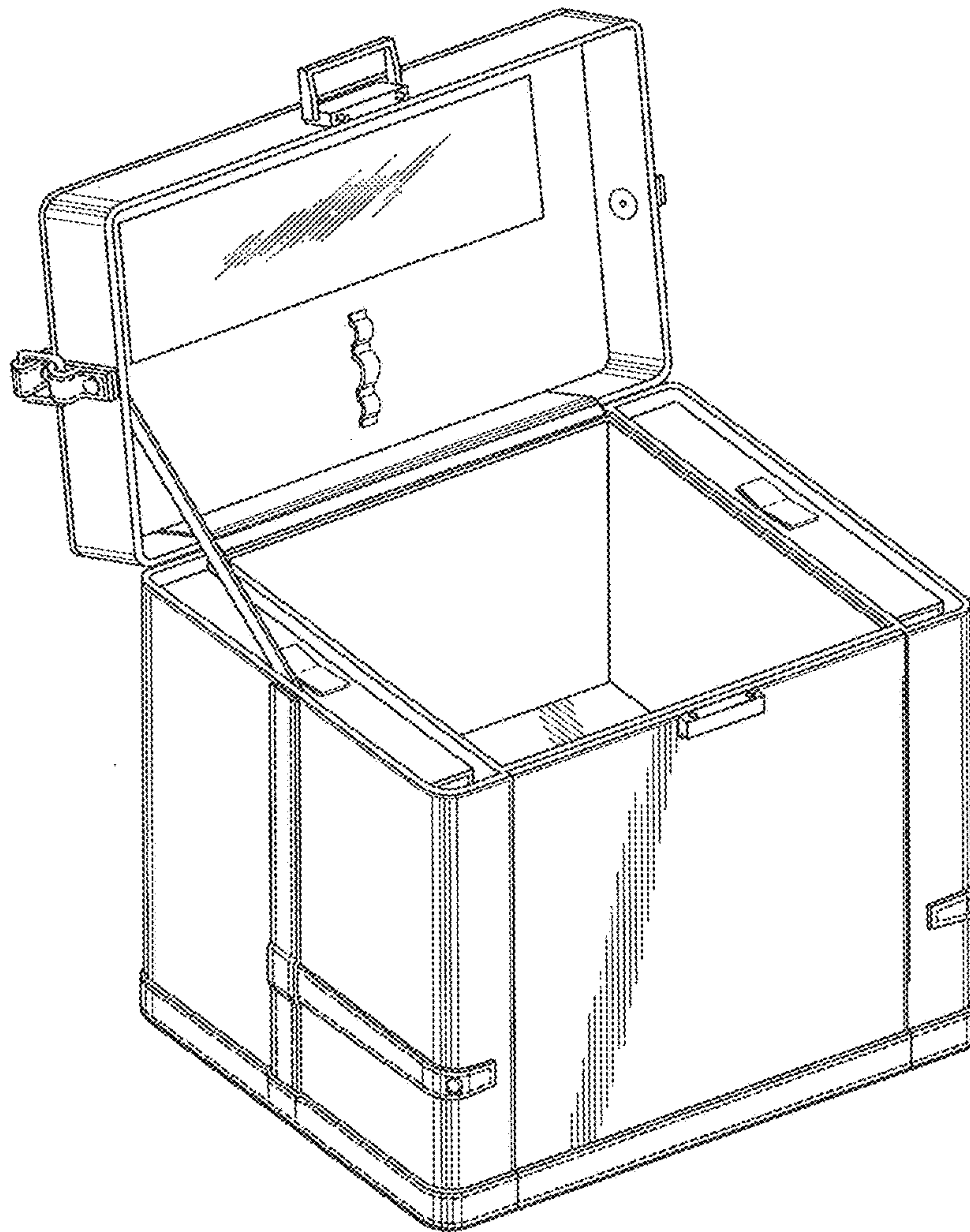


FIG. 8

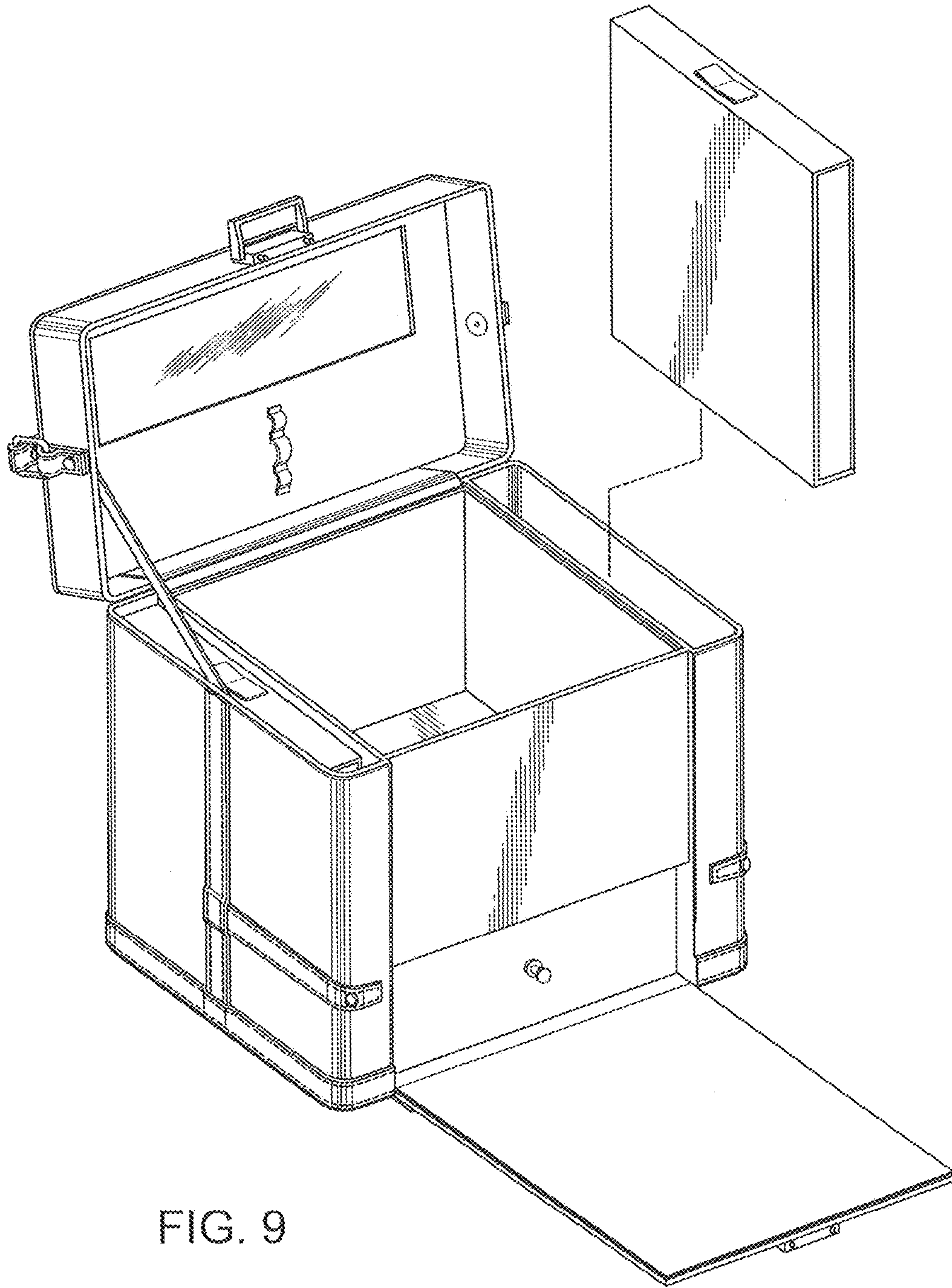


FIG. 9



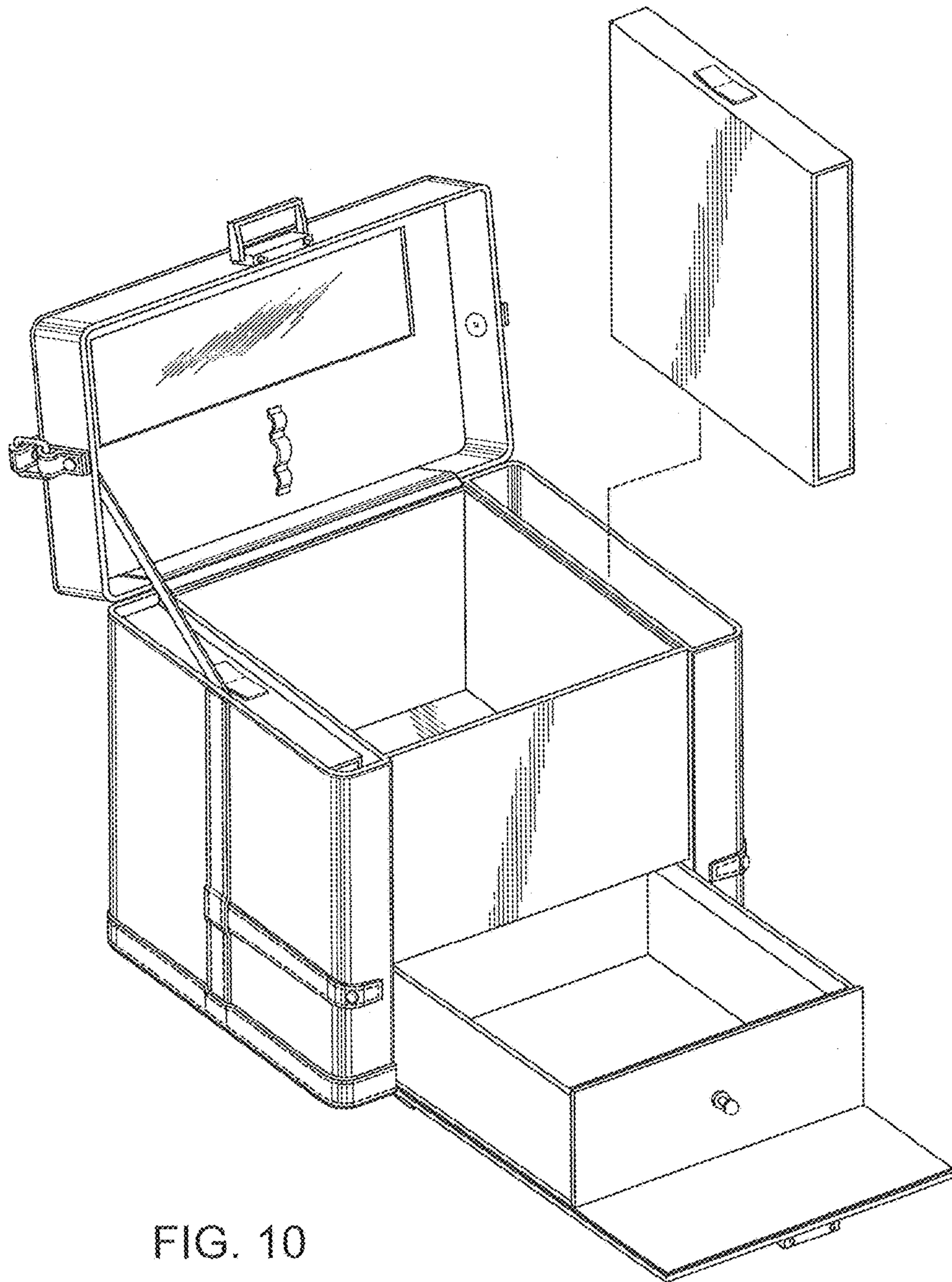


FIG. 10

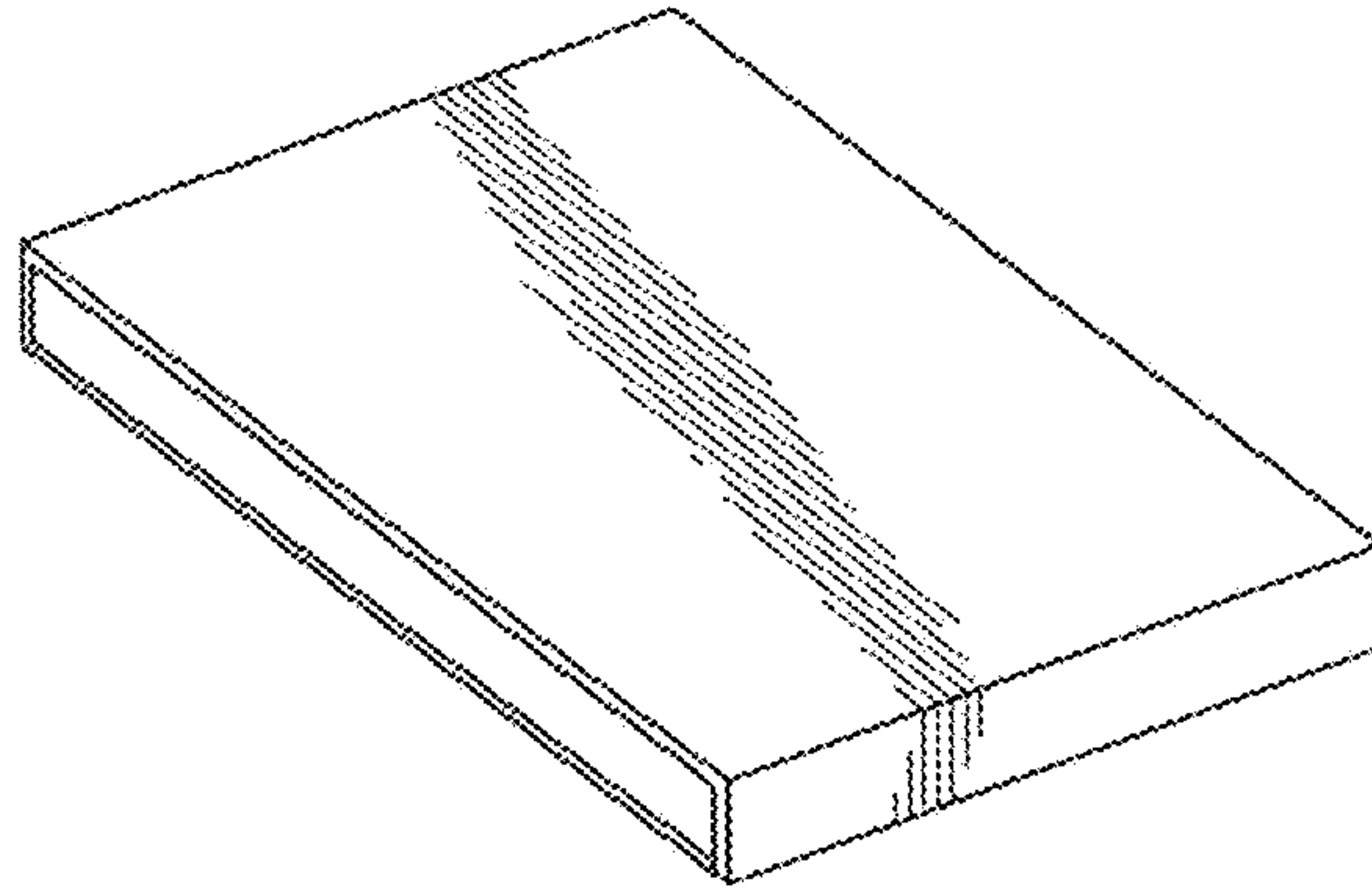


FIG. 11

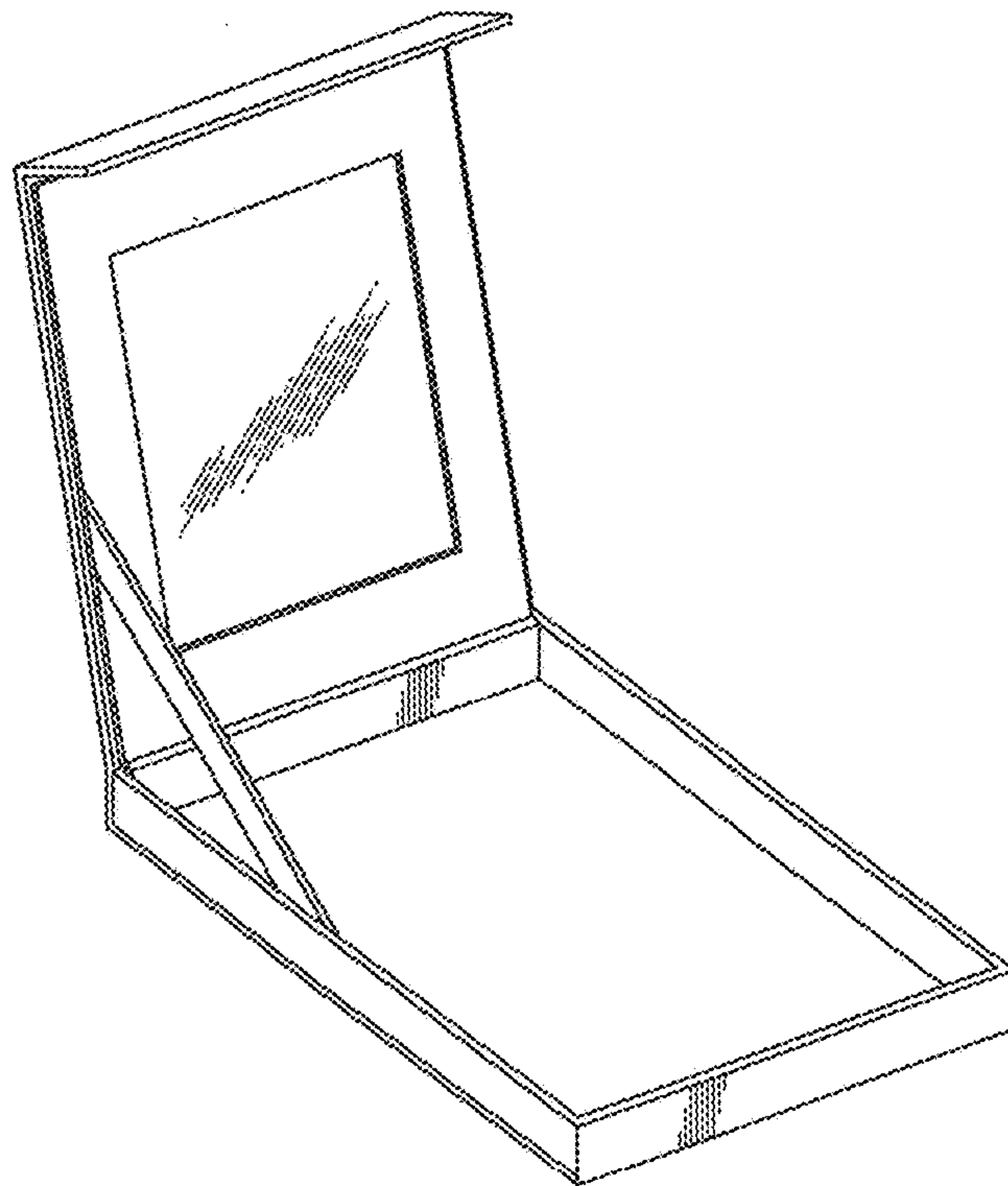


FIG. 12