



US00D872468S

(12) **United States Design Patent** (10) **Patent No.:** **US D872,468 S**
Lee et al. (45) **Date of Patent:** **** *Jan. 14, 2020**

(54) **PROTECTIVE HANG COVER SKIN FOR ELECTRONIC DEVICE**

FOREIGN PATENT DOCUMENTS

(71) Applicant: **elago CO. LTD**, Goyang-si, Gyeonggi-do (KR)

CN 304616205 5/2018
CN 304701574 6/2018

(Continued)

(72) Inventors: **Chanwoo Lee**, Goyang-si (KR); **Chong Min Kim**, Seoul (KR)

OTHER PUBLICATIONS

(73) Assignee: **elago CO. LTD**, Goyang-si, Gyeonggi-Do (KR)

Amazon, "elago AirPods Duo Hang Case [Body:Pastel Blue/Top:Lovely Pink, White]—[Compatible with Apple AirPods 1 & 2; Front LED Not Visible][Supports Wireless Charging][Carabiner]—for AirPods 1 & 2", first on sale Jul. 31, 2018.(https://www.amazon.com/dp/B07G21JH44) (Year: 2018).*

(Continued)

(*) Notice: This patent is subject to a terminal disclaimer.

Primary Examiner — April Rivas

(**) Term: **15 Years**

(74) *Attorney, Agent, or Firm* — Paratus Law Group, PLLC

(21) Appl. No.: **29/693,954**

(57) **CLAIM**

(22) Filed: **Jun. 6, 2019**

The ornamental design for a protective hang cover skin for electronic device, as shown and described.

(51) **LOC (12) Cl.** **03-01**

DESCRIPTION

(52) **U.S. Cl.**

USPC **D3/269**; D3/270; D3/302

(58) **Field of Classification Search**

USPC D3/201, 208, 212, 271.1, 273, 294, 218, D3/215, 269, 270, 302; D9/711, 455; D14/217, 221, 223, 496; D13/118
CPC A45C 13/002; A45C 2011/001; H04R 1/1025

See application file for complete search history.

FIG. 1 is a front, top and right perspective view of protective hang cover skin for electronic device showing claimed design;

FIG. 2 is a front view thereof;

FIG. 3 is a back view thereof;

FIG. 4 is a left side view thereof;

FIG. 5 is a right side view thereof;

FIG. 6 is a top view thereof;

FIG. 7 is a bottom view thereof;

FIG. 8 is a rear, bottom and right perspective view thereof; and,

FIG. 9 is a front, top and right perspective view thereof, in a reduced scale, with a top portion open in use.

The broken lines shown in FIG. 3 depict a portion of the protective hang cover skin, but form no part of the claimed design. The broken lines shown in FIG. 10 depict environment and form no part of the claimed design.

(56) **References Cited**

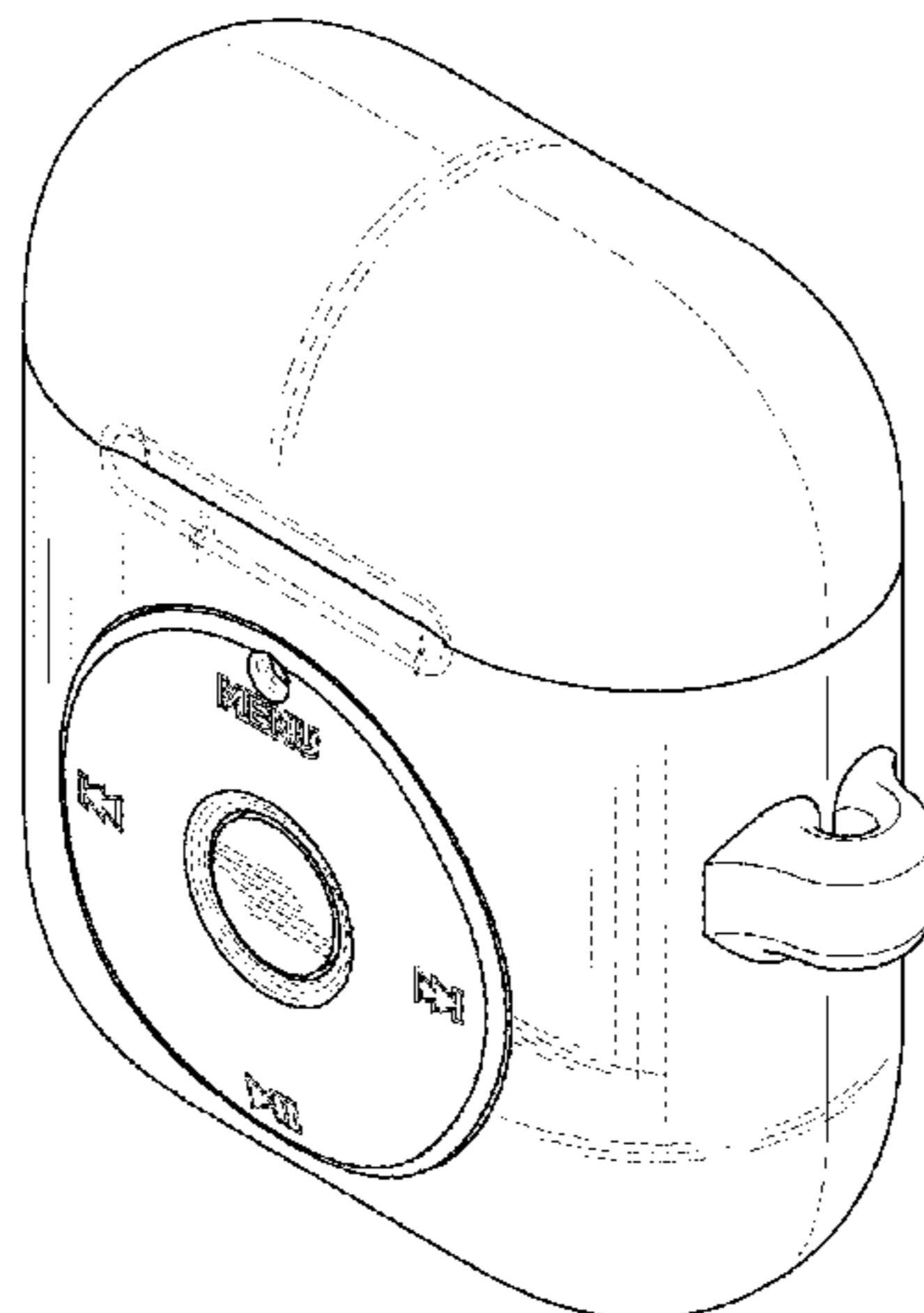
U.S. PATENT DOCUMENTS

D467,799 S * 12/2002 Persson D9/420
7,775,354 B2 8/2010 Latchford et al.
D656,159 S 3/2012 Andre et al.
8,212,779 B2 * 7/2012 Chiang G06F 1/1626
345/156

D665,820 S 8/2012 Andre et al.

(Continued)

1 Claim, 8 Drawing Sheets



(56)

References Cited

U.S. PATENT DOCUMENTS

D667,387 S * 9/2012 Andre D14/203.7
 D672,642 S 12/2012 Supranowicz
 D735,184 S 7/2015 Lee et al.
 D775,463 S 1/2017 Shieh
 D794,617 S * 8/2017 Wright D14/203.3
 D794,618 S * 8/2017 Wright D14/203.3
 D806,388 S * 1/2018 Akana D3/294
 D808,791 S 1/2018 Johnston et al.
 D818,268 S 5/2018 Akana et al.
 D834,301 S * 11/2018 Poissant D3/201
 D853,357 S * 7/2019 Li D14/217
 2007/0184781 A1 8/2007 Huskinson
 2012/0031786 A1 2/2012 Mish et al.
 2017/0095065 A1 4/2017 Colbert et al.

FOREIGN PATENT DOCUMENTS

CN 304708016 7/2018
 CN 304778115 8/2018
 CN 304814243 9/2018

CN 304841049 10/2018
 CN 304877424 11/2018
 CN 304943054 12/2018
 CN 304948858 12/2018
 CN 304983202 1/2019
 CN 304989087 1/2019
 CN 304989088 1/2019
 CN 304995211 1/2019
 CN 304995216 1/2019
 CN 305122245 4/2019
 CN 305127683 4/2019
 CN 305198691 6/2019
 EM 003784321-0001 6/2017
 EM 006085924-0001 2/2019
 EM 006262796-0001 3/2019
 GB 6040802 8/2018

OTHER PUBLICATIONS

Amazon, "Apple AirPods Case Decal—iPod Classic Wheel", first reviewed Feb. 28, 2019. (<https://www.amazon.com/Apple-AirPod-Case-Decal-Classic/dp/B07CWKV6QT>) (Year: 2019).*

* cited by examiner

FIG. 1

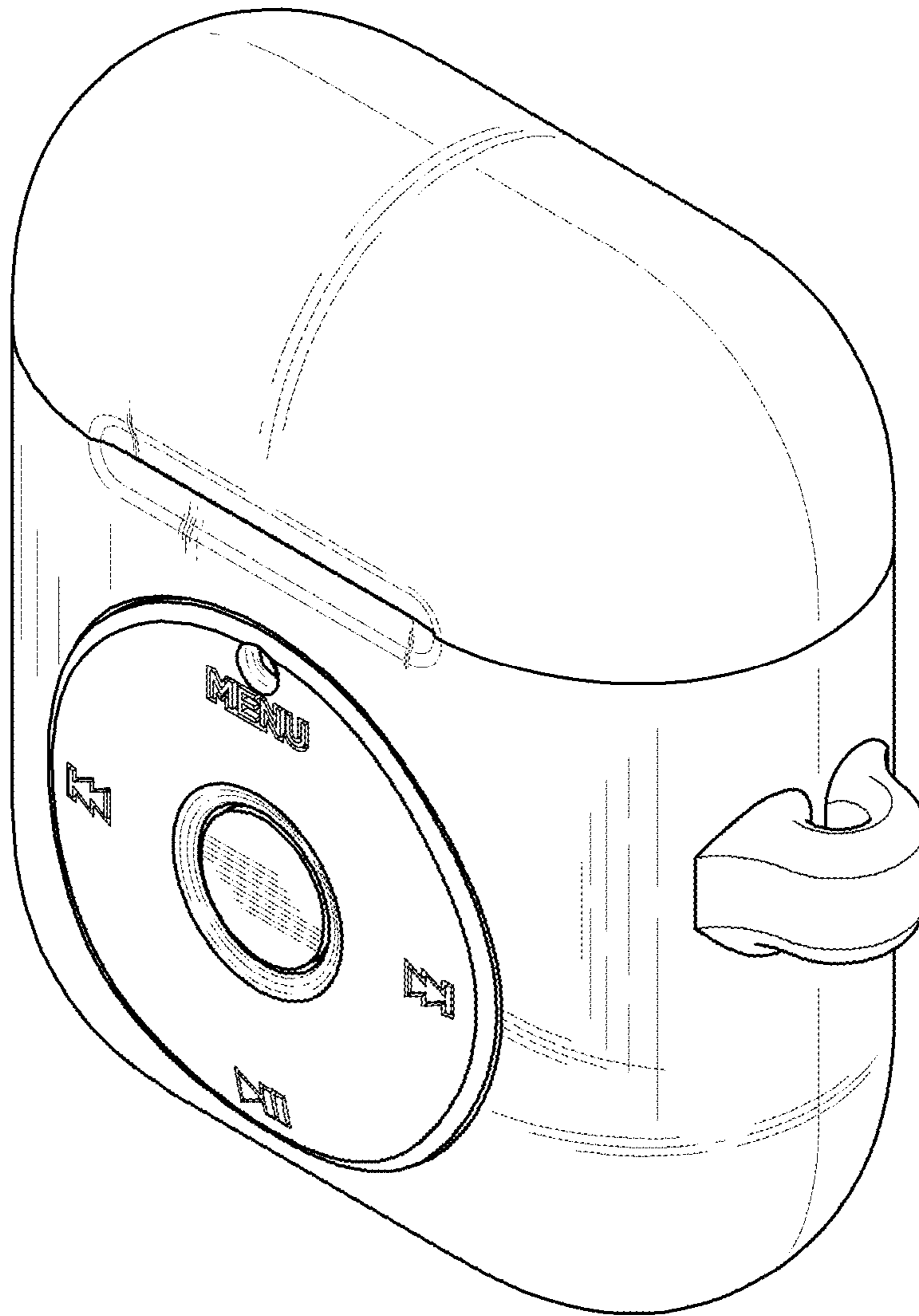


FIG. 2

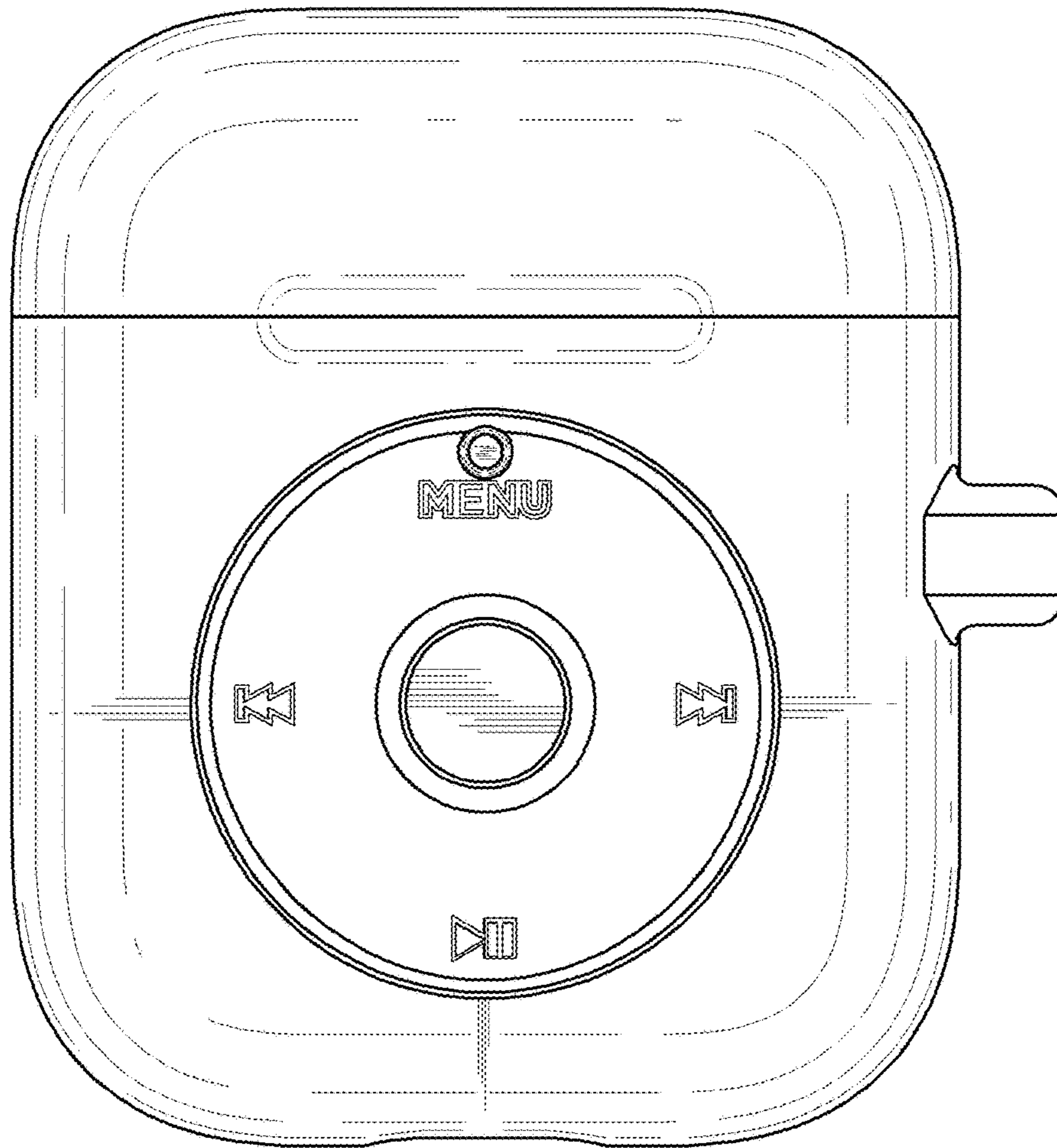


FIG. 3

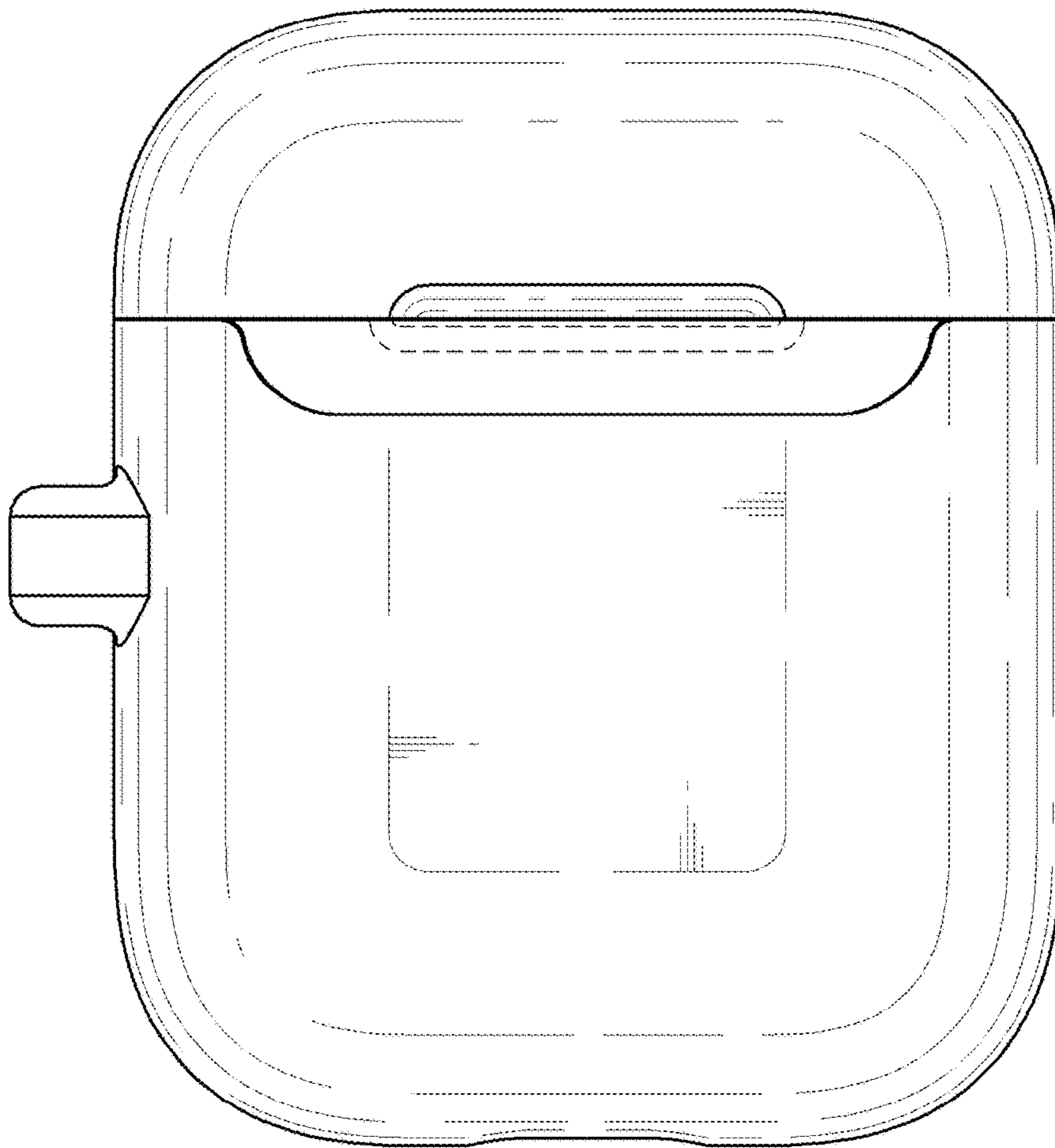


FIG. 4

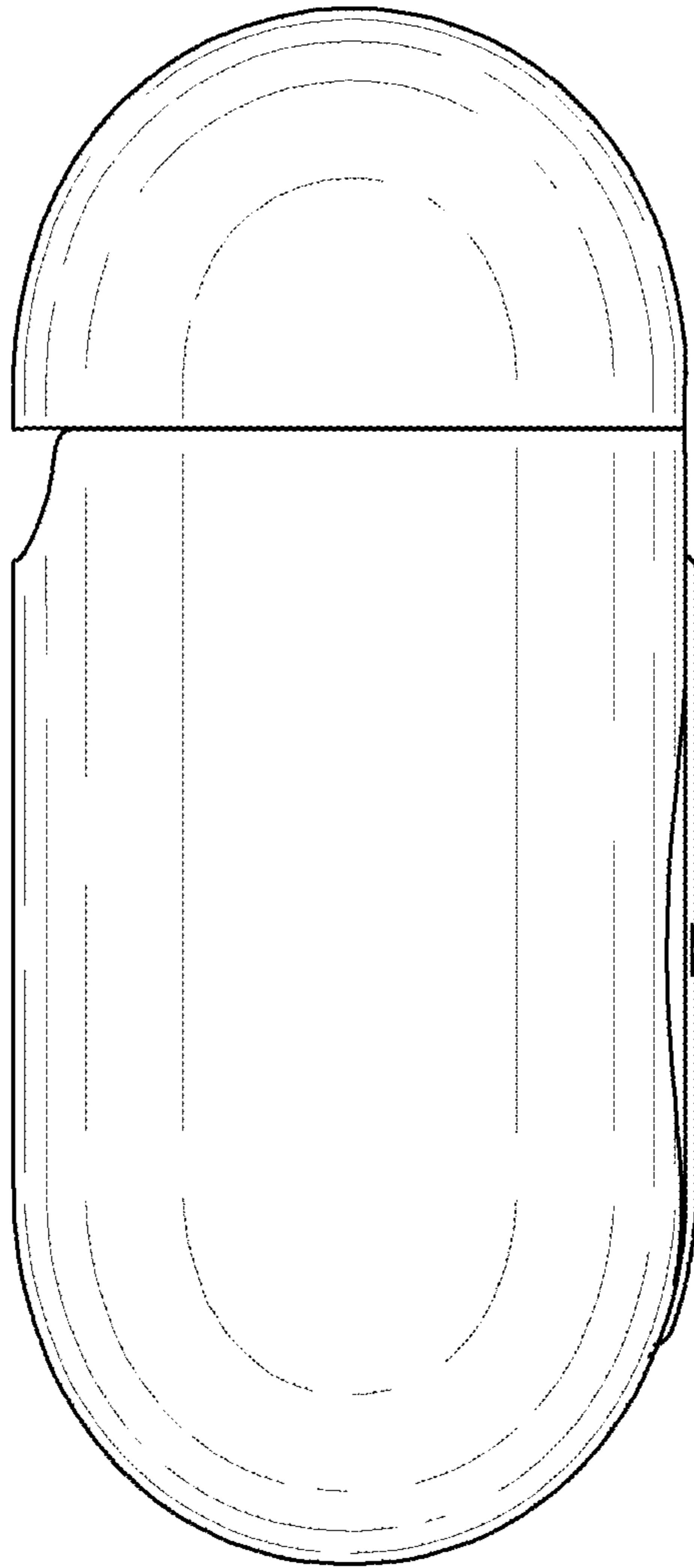


FIG. 5

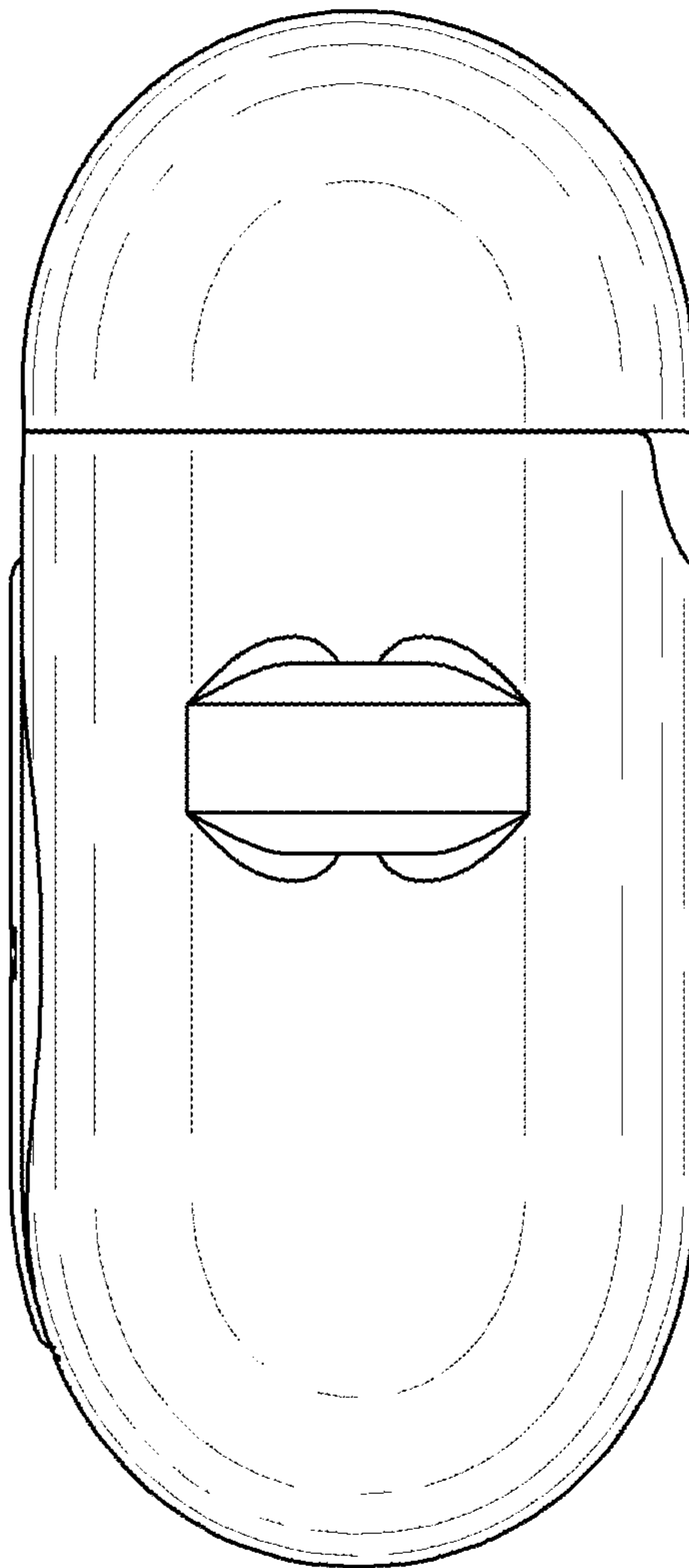


FIG. 6

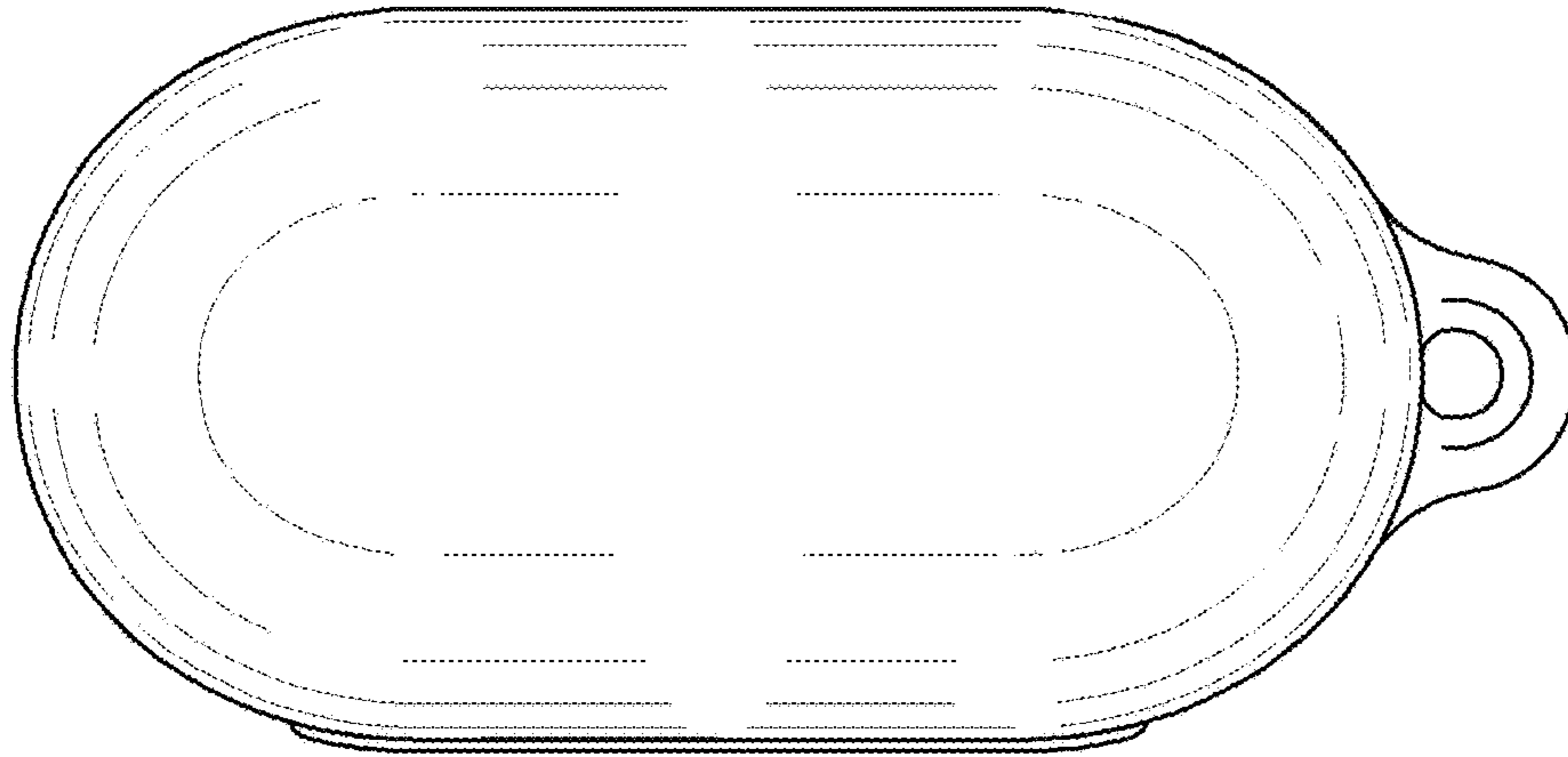


FIG. 7

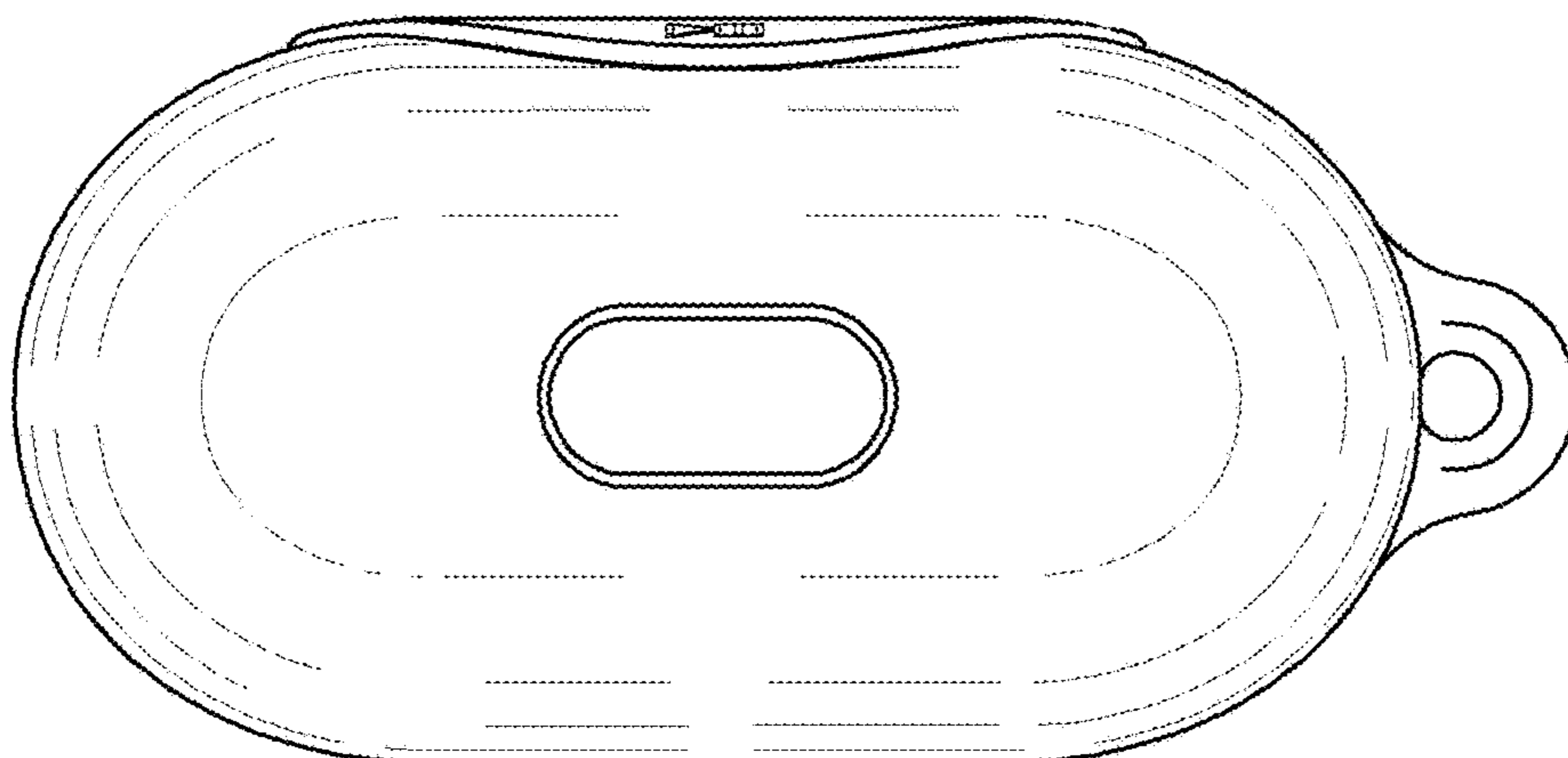


FIG. 8

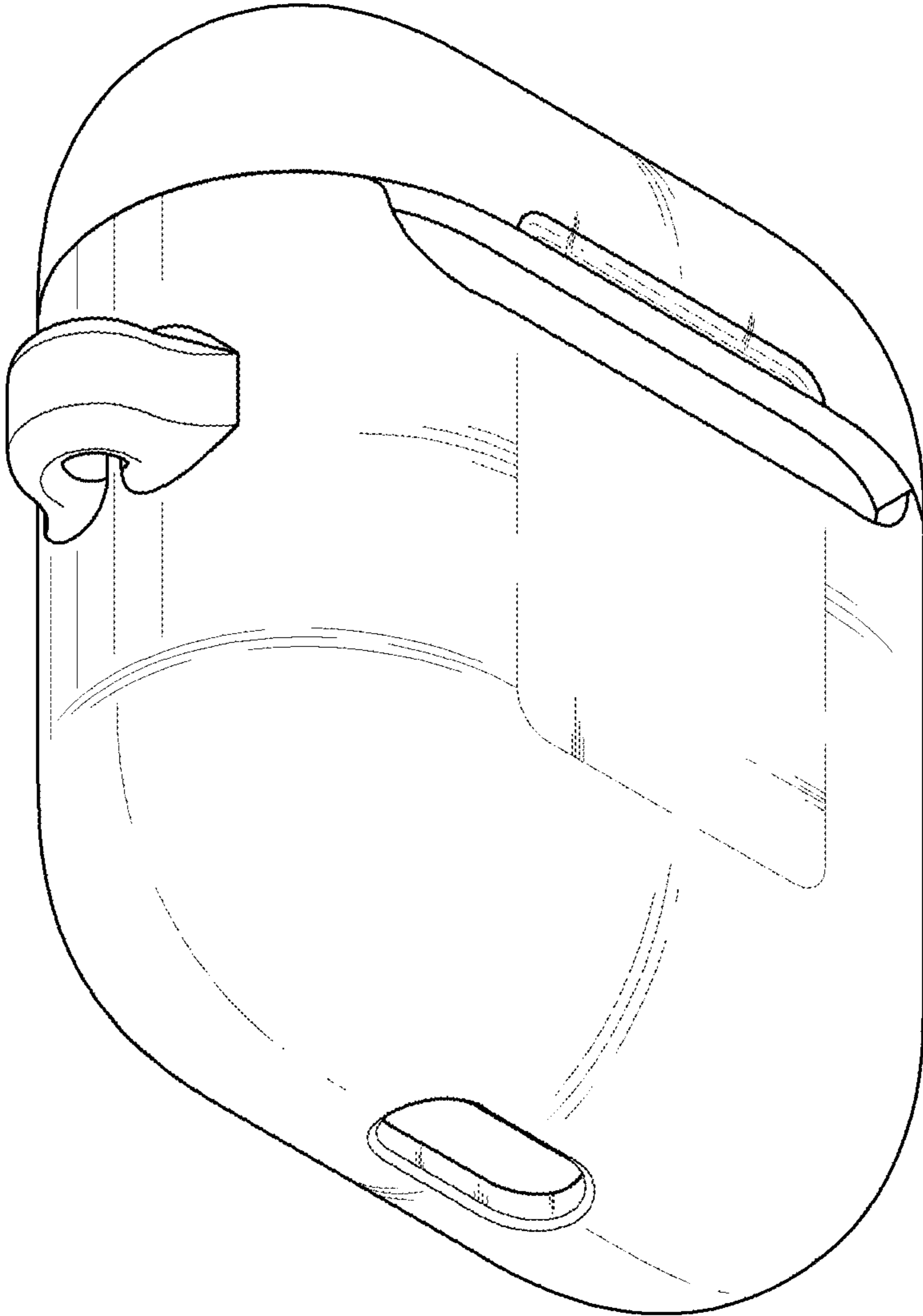


FIG. 9

