



US00D872466S

(12) **United States Design Patent** (10) **Patent No.:** **US D872,466 S**  
**Smith** (45) **Date of Patent:** **\*\* Jan. 14, 2020**

(54) **GOLF BAG**  
(71) Applicant: **Callaway Golf Company**, Carlsbad, CA (US)  
(72) Inventor: **Luke Smith**, Encinitas, CA (US)  
(73) Assignee: **Ogio International, Inc.**, Carlsbad, CA (US)  
(\*\*) Term: **15 Years**  
(21) Appl. No.: **29/668,779**  
(22) Filed: **Nov. 1, 2018**  
(51) **LOC (12) Cl.** ..... **03-01**  
(52) **U.S. Cl.**  
USPC ..... **D3/255**  
(58) **Field of Classification Search**  
USPC ..... D3/201, 221, 254, 255, 308-320, 328, D3/328.1  
CPC ... A63B 55/00-55/57; A63B 2055/402; A63B 2055/403; A63B 60/00; A63B 60/46  
See application file for complete search history.

5,829,719 A \* 11/1998 Han ..... A63B 55/53 248/96  
D412,060 S \* 7/1999 Reimers ..... D3/255  
D453,875 S \* 2/2002 Schmitt, Jr. .... D3/255  
D479,649 S \* 9/2003 Chuan ..... D3/255  
D488,619 S \* 4/2004 Klock ..... D3/255  
D489,532 S \* 5/2004 Reimers ..... D3/255  
D501,992 S \* 2/2005 Renahan ..... D3/255  
D501,993 S \* 2/2005 Renahan ..... D3/255  
D576,794 S \* 9/2008 Yoshida ..... D3/255  
D600,910 S \* 9/2009 Saconay-Duhart ..... D3/255  
D653,032 S \* 1/2012 Myers ..... D3/255  
D666,813 S \* 9/2012 Brundl ..... D3/255  
8,616,369 B2 \* 12/2013 Campbell ..... A63B 55/00 206/315.7  
D733,424 S \* 7/2015 Lewis ..... D3/255  
D824,167 S \* 7/2018 Burgess ..... D3/255

(Continued)

*Primary Examiner* — Mitchell I. Siegel  
(74) *Attorney, Agent, or Firm* — Rebecca Hanovice; Michael Catania; Sonia Lari

(57) **CLAIM**

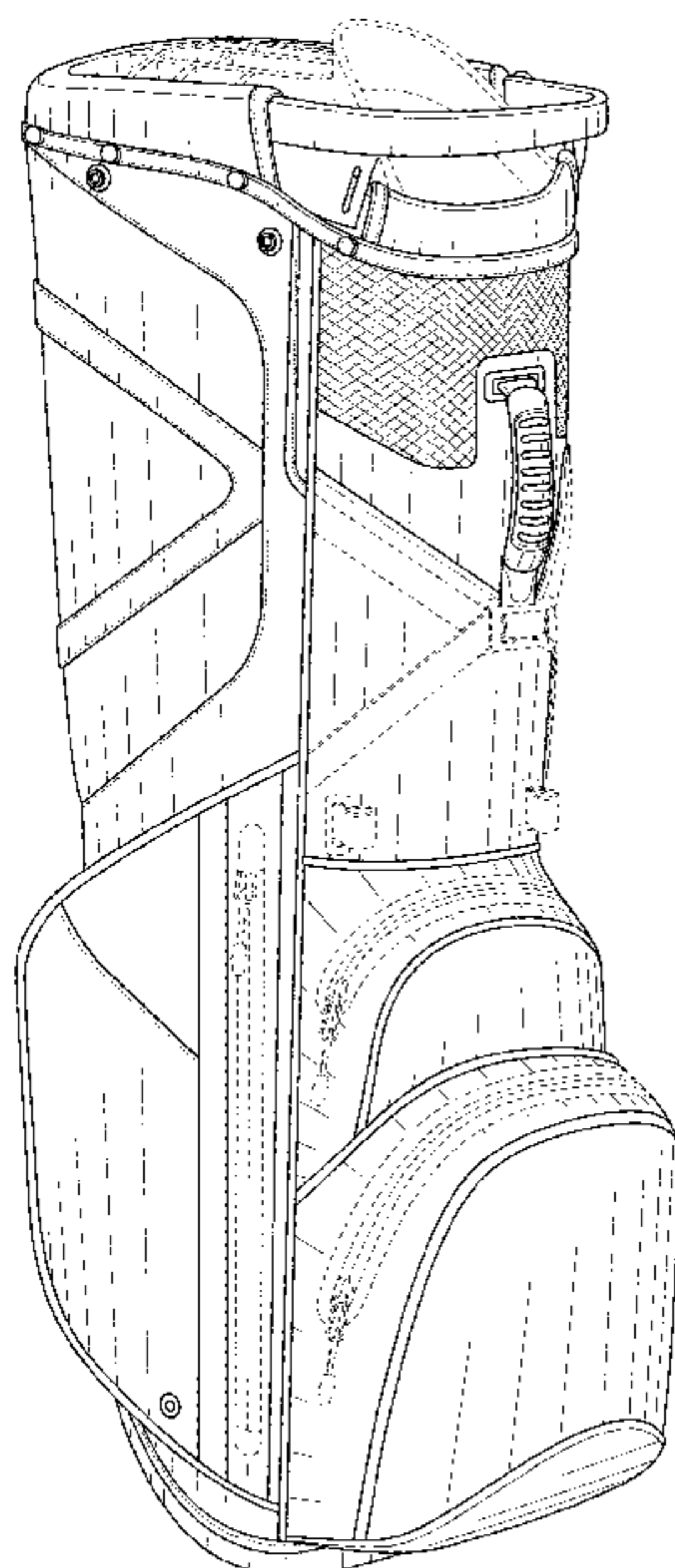
The ornamental design for a golf bag, as shown and described.

**DESCRIPTION**

FIG. 1 is a front perspective view of the golf bag claimed herein;  
FIG. 2 is a front plan view thereof;  
FIG. 3 is a back plan view thereof;  
FIG. 4 is a left side plan view thereof;  
FIG. 5 is a right side plan view thereof;  
FIG. 6 is a top plan view thereof;  
FIG. 7 is a bottom plan view thereof; and,  
FIG. 8 is another front perspective view thereof.  
The broken line showing of portions of the golf bag is included for the purpose of illustrating unclaimed subject matter and forms no part of the claimed design.

**1 Claim, 7 Drawing Sheets**

(56) **References Cited**  
U.S. PATENT DOCUMENTS  
D111,138 S \* 9/1938 Firle ..... D3/255  
D202,635 S \* 10/1965 Rashkow ..... D3/255  
D205,363 S \* 7/1966 Penna ..... D3/255  
D331,660 S \* 12/1992 Souhrada ..... D3/255  
D353,264 S \* 12/1994 Danezin ..... D3/255  
D364,737 S \* 12/1995 Perrin ..... D3/255  
D367,556 S \* 3/1996 Perrin ..... D3/255  
D376,906 S \* 12/1996 Mori ..... D3/255  
D382,397 S \* 8/1997 Wu ..... D3/255  
5,676,247 A \* 10/1997 Shioda ..... A63B 55/404 206/315.4  
D387,201 S \* 12/1997 Mori ..... D3/255  
D387,556 S \* 12/1997 Beebe ..... 224/645



(56)

**References Cited**

U.S. PATENT DOCUMENTS

2004/0118718 A1\* 6/2004 Karlsson ..... A45C 5/06  
206/315.5

\* cited by examiner

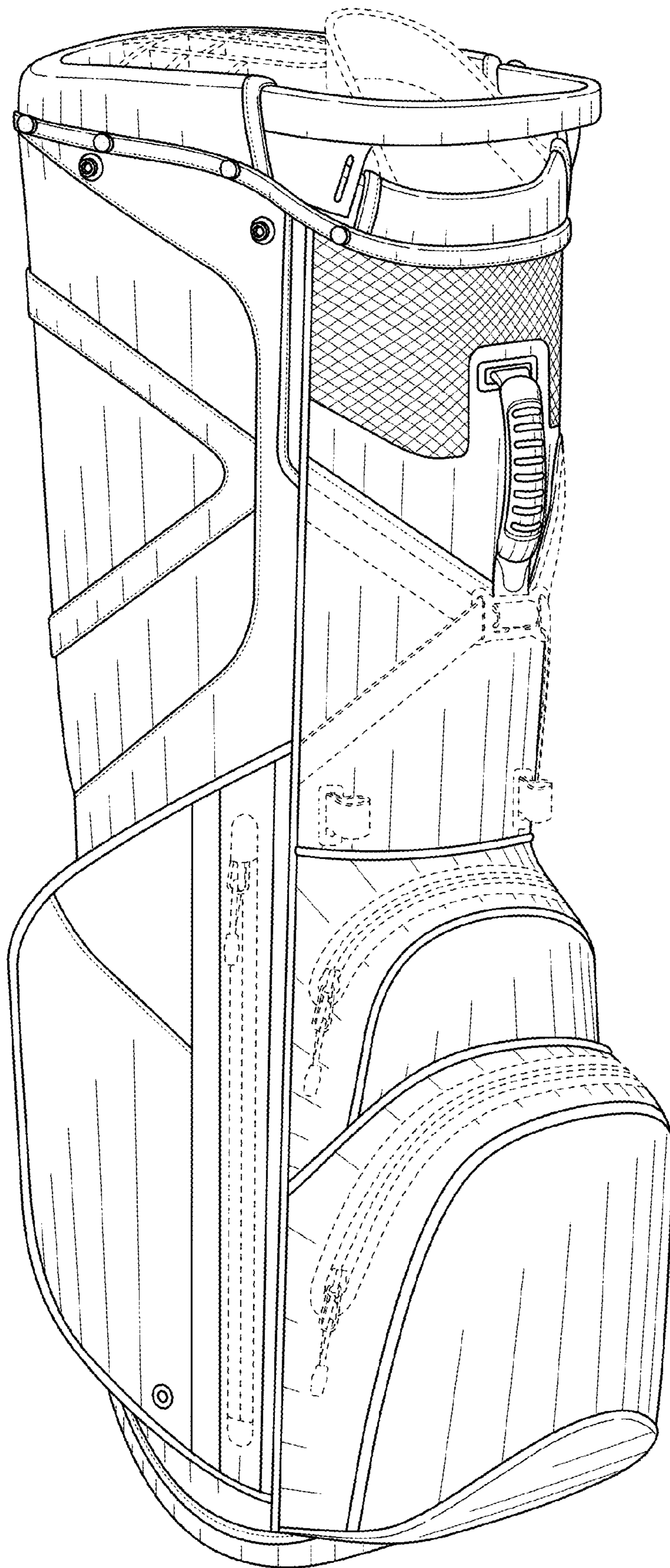


FIG. 1

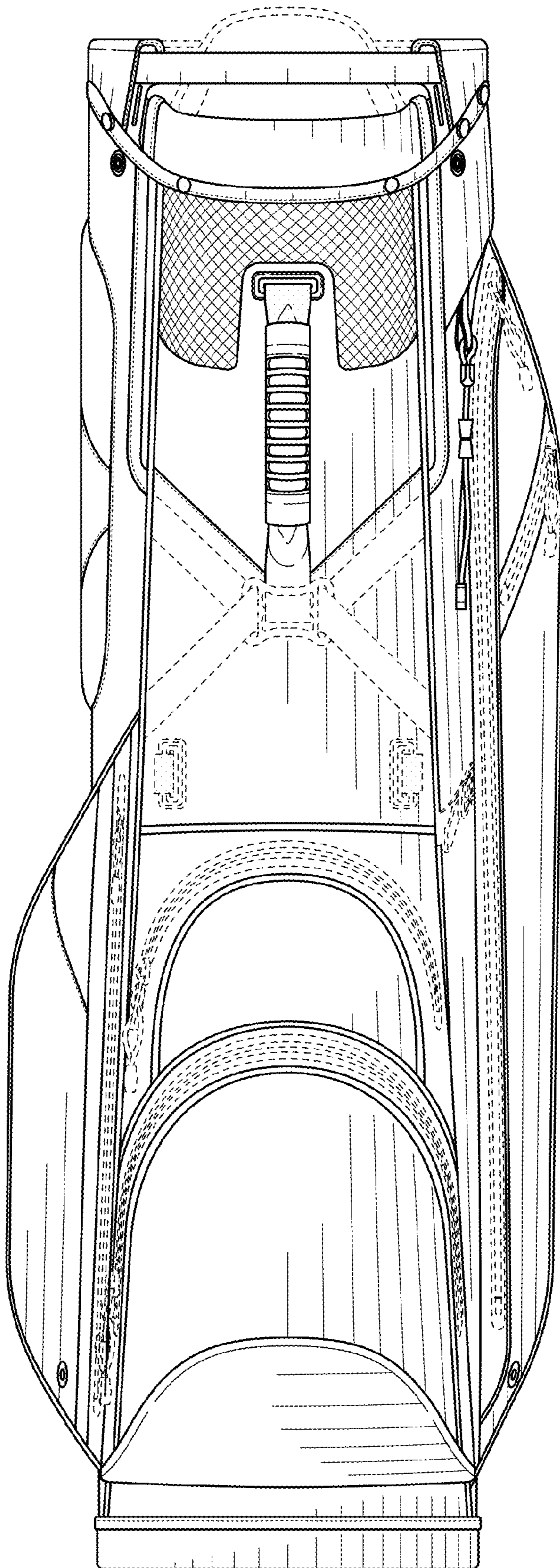


FIG. 2

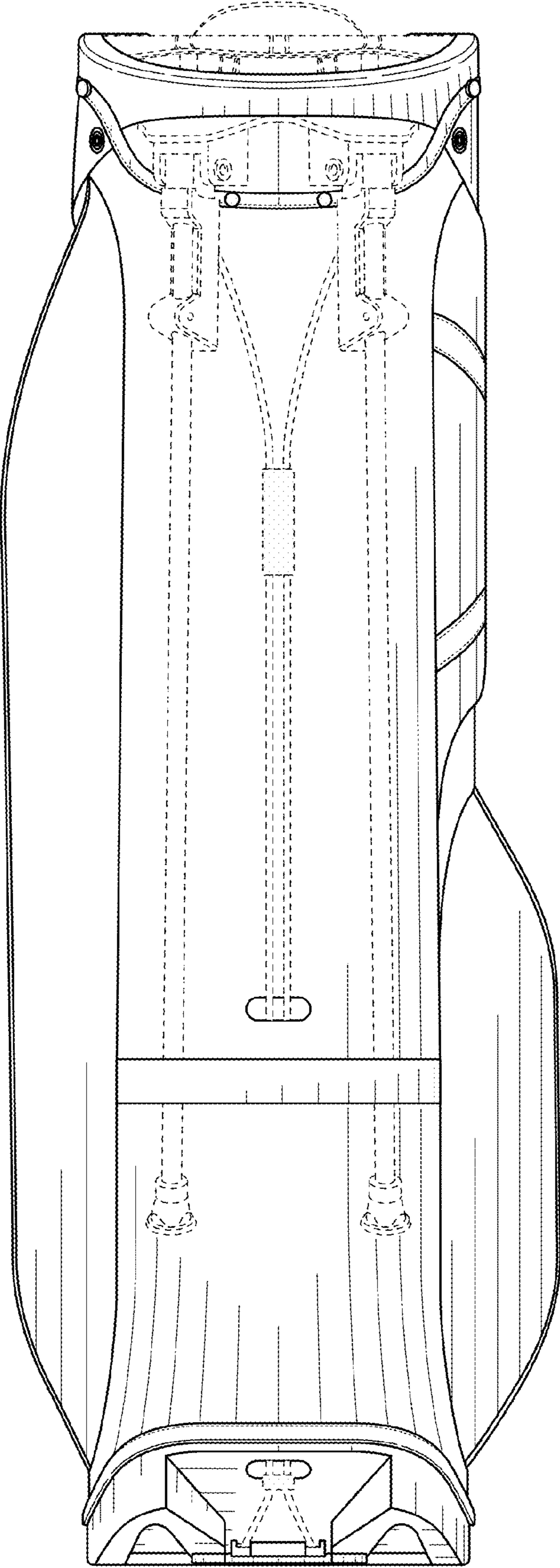


FIG. 3

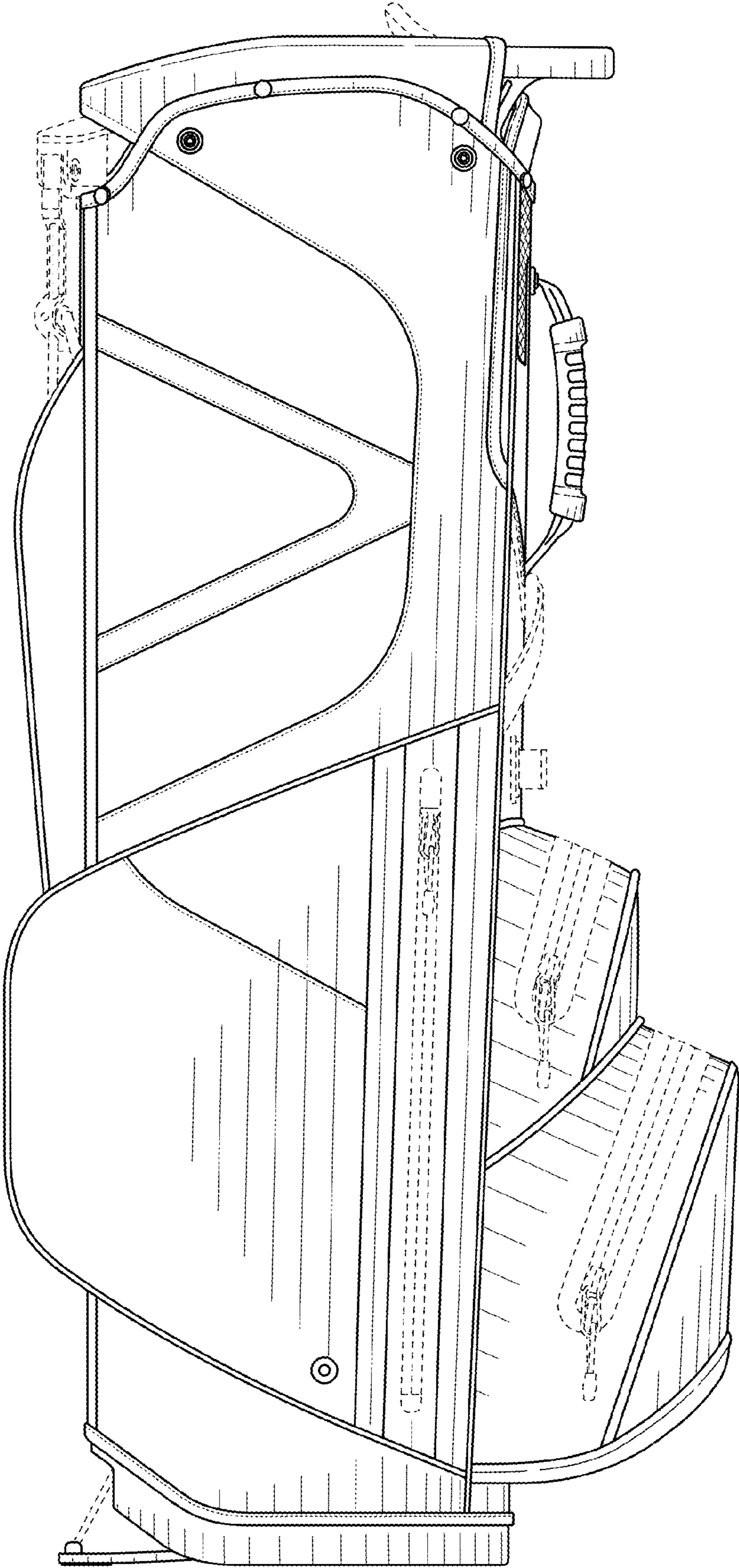


FIG. 4

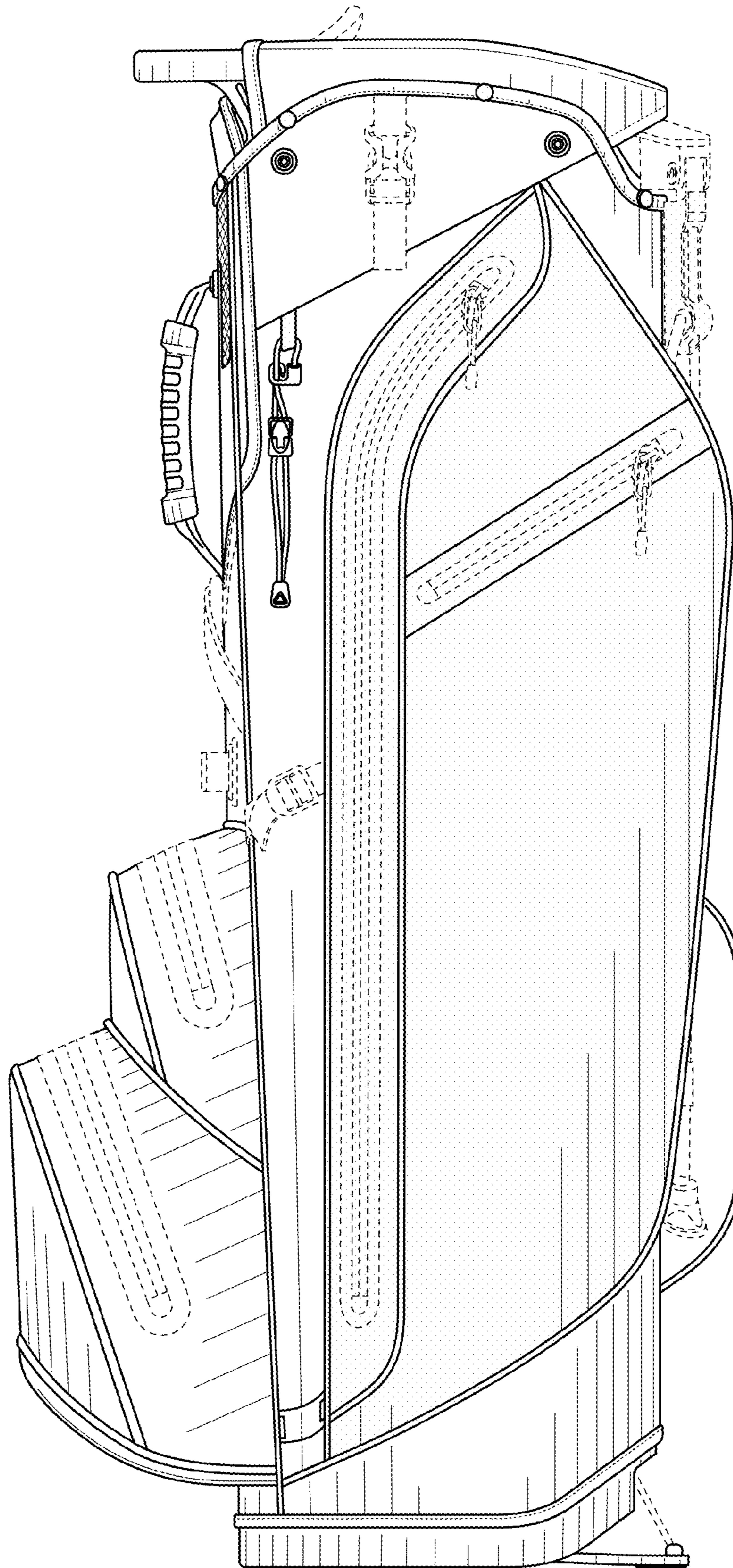


FIG. 5

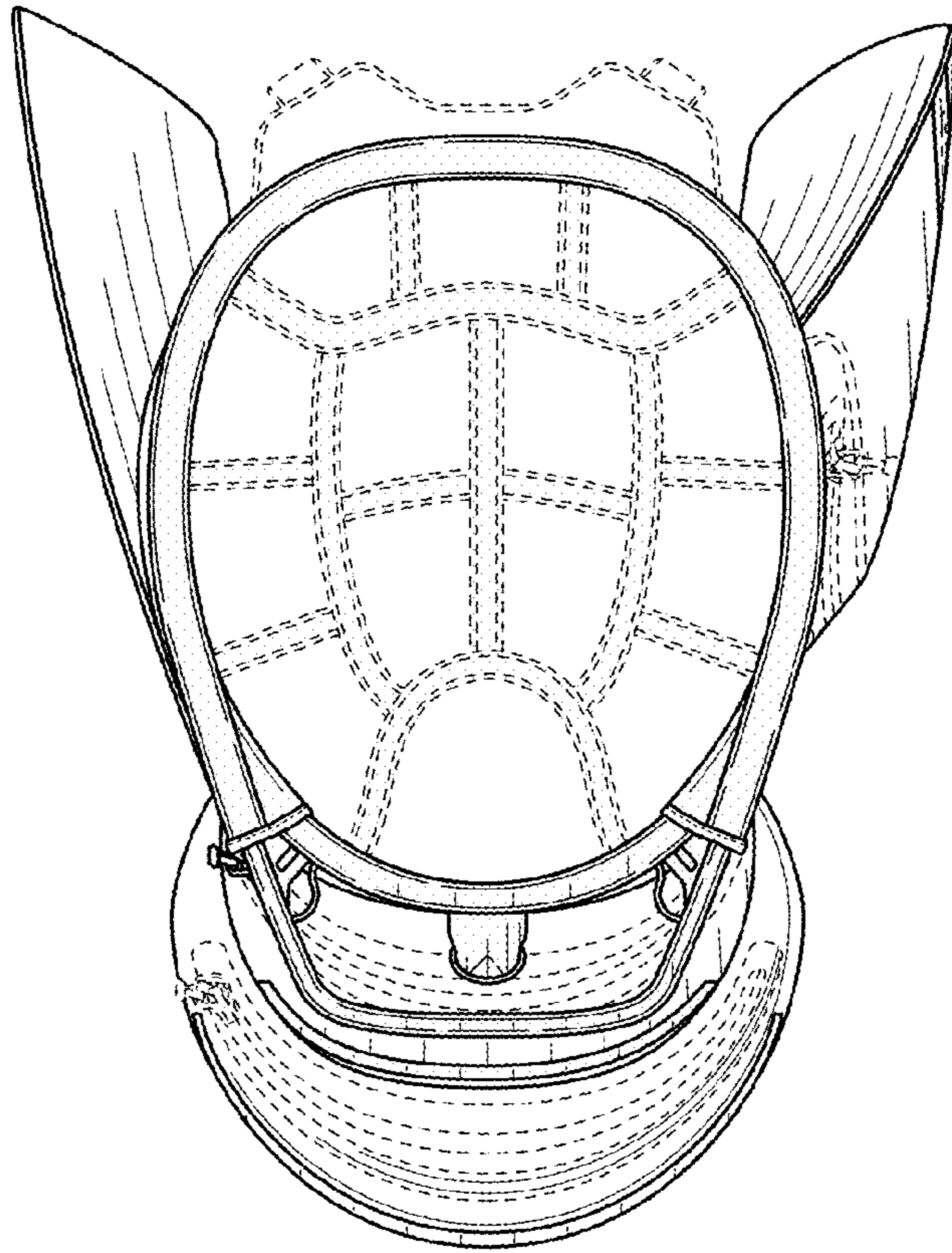


FIG. 6

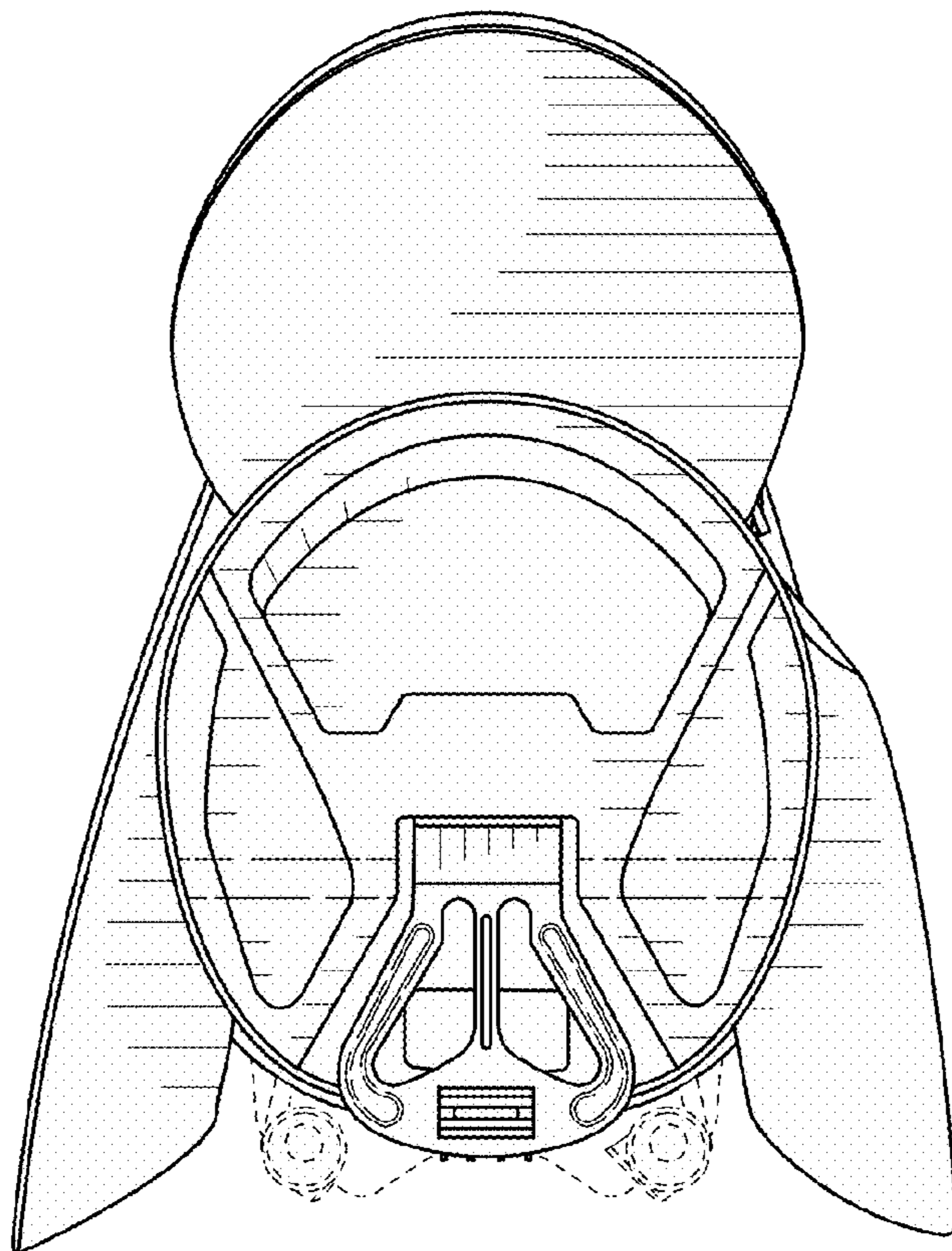


FIG. 7



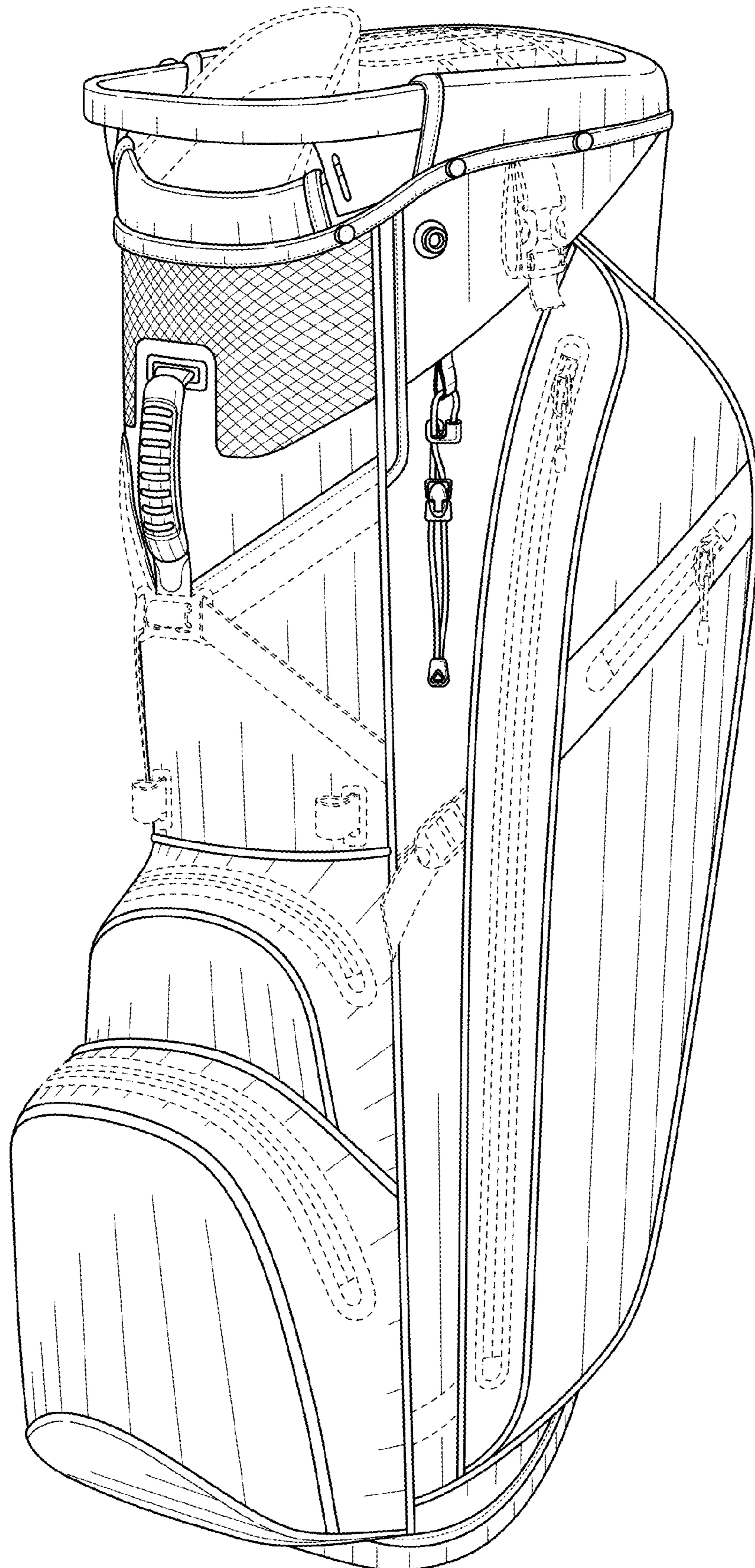


FIG. 8