



US00D872461S

(12) **United States Design Patent**
Ryoo

(10) **Patent No.:** **US D872,461 S**

(45) **Date of Patent:** **** Jan. 14, 2020**

(54) **HANDBAG**

(71) Applicant: **Song Ryoo**, Seoul (KR)

(72) Inventor: **Song Ryoo**, Seoul (KR)

(**) Term: **15 Years**

(21) Appl. No.: **29/662,735**

(22) Filed: **Sep. 7, 2018**

(30) **Foreign Application Priority Data**

Jul. 16, 2018 (KR) 30-2018-0032759

(51) **LOC (12) Cl.** **03-01**

(52) **U.S. Cl.**
USPC **D3/243**

(58) **Field of Classification Search**
USPC D3/232-233, 240-243, 245-246
CPC A45C 1/024; A45C 3/06
See application file for complete search history.

(56) **References Cited**

U.S. PATENT DOCUMENTS

D403,151 S * 12/1998 Heredos-Formby D3/246
D589,254 S * 3/2009 Gonzalez D3/318

D768,379 S * 10/2016 Luo D3/232
D768,988 S * 10/2016 Finn D3/318
D799,208 S * 10/2017 Venturini Fendi D3/245
D816,340 S * 5/2018 Rosella D3/318

* cited by examiner

Primary Examiner — Holly H Baynham

(74) *Attorney, Agent, or Firm* — Rabin & Berdo, P.C.

(57) **CLAIM**

The ornamental design for a handbag, as shown and described.

DESCRIPTION

FIG. 1 is a perspective view of a handbag;
FIG. 2 is a front elevational view thereof;
FIG. 3 is a rear elevational view thereof;
FIG. 4 is a left side view thereof;
FIG. 5 is a right side view thereof;
FIG. 6 is a top plan view thereof; and,
FIG. 7 is a bottom plan view thereof.
The broken lines showing stitching are part of the claimed design.

1 Claim, 7 Drawing Sheets





FIG. 1



FIG. 2



FIG. 3

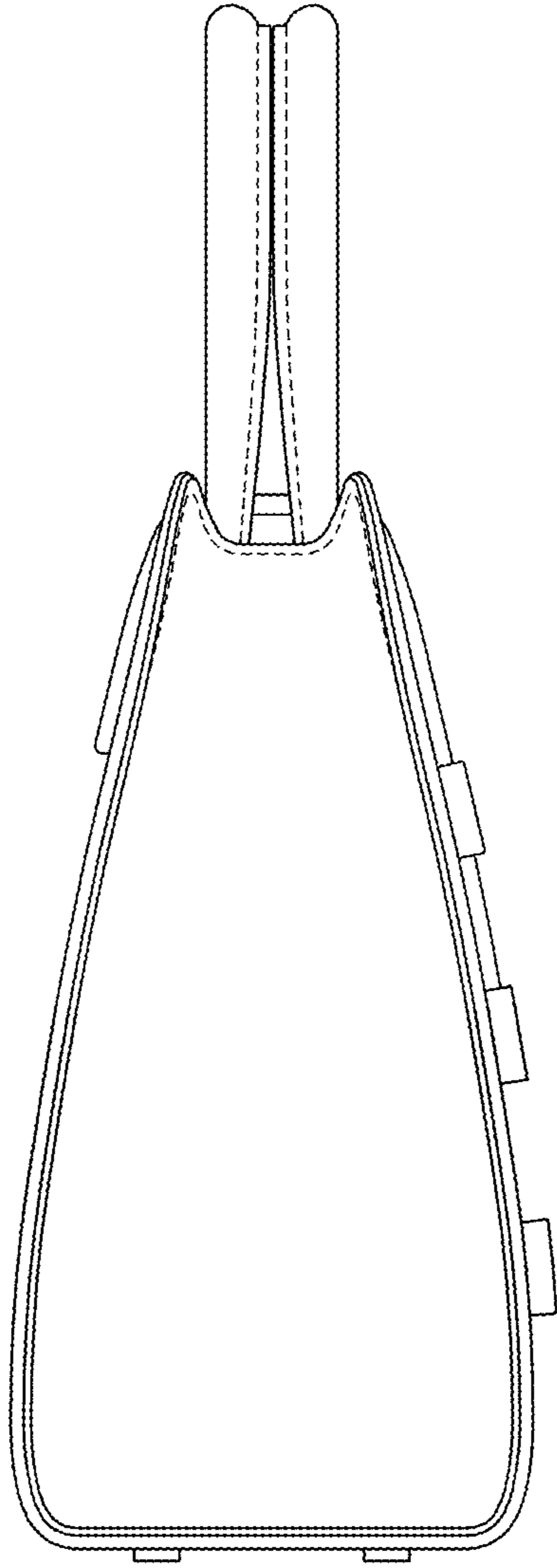


FIG. 4

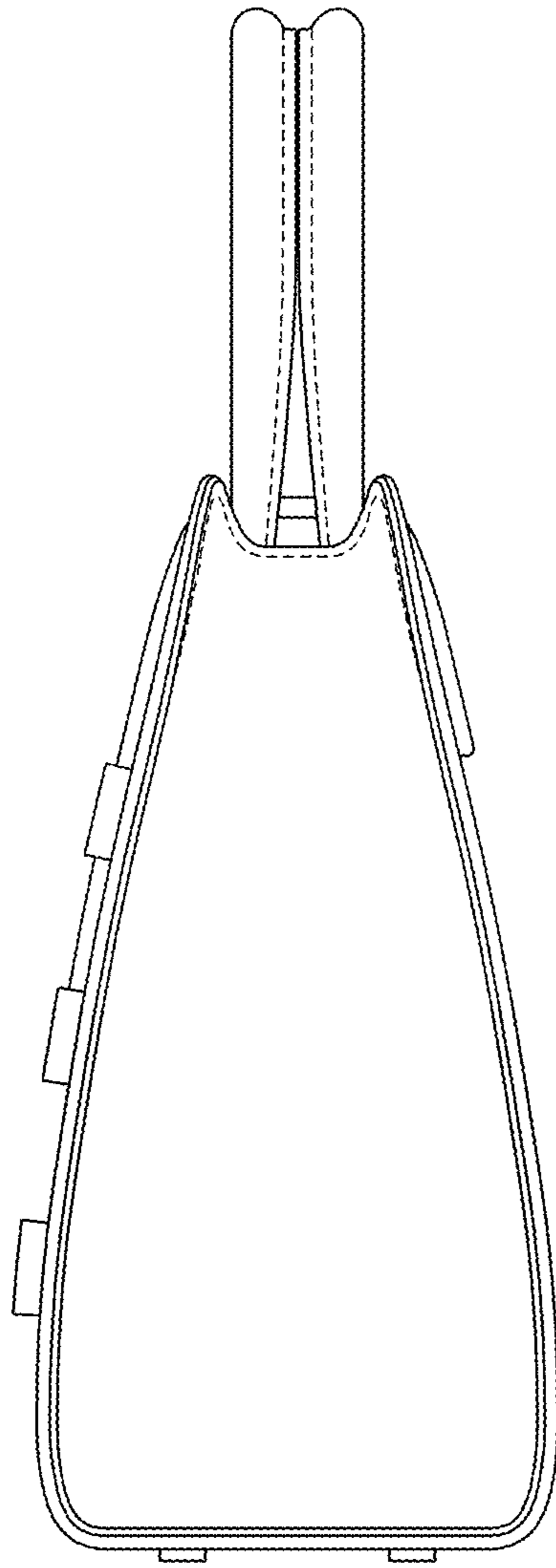


FIG. 5

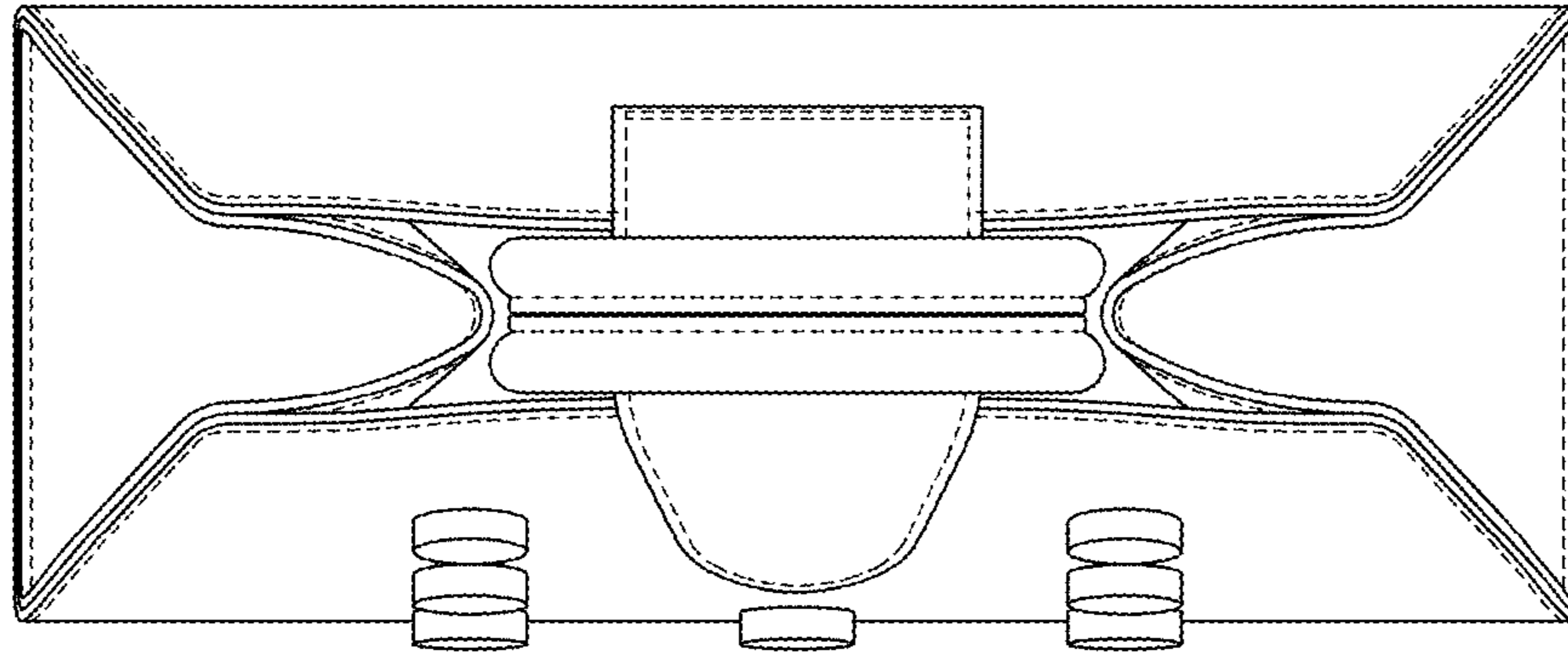


FIG. 6

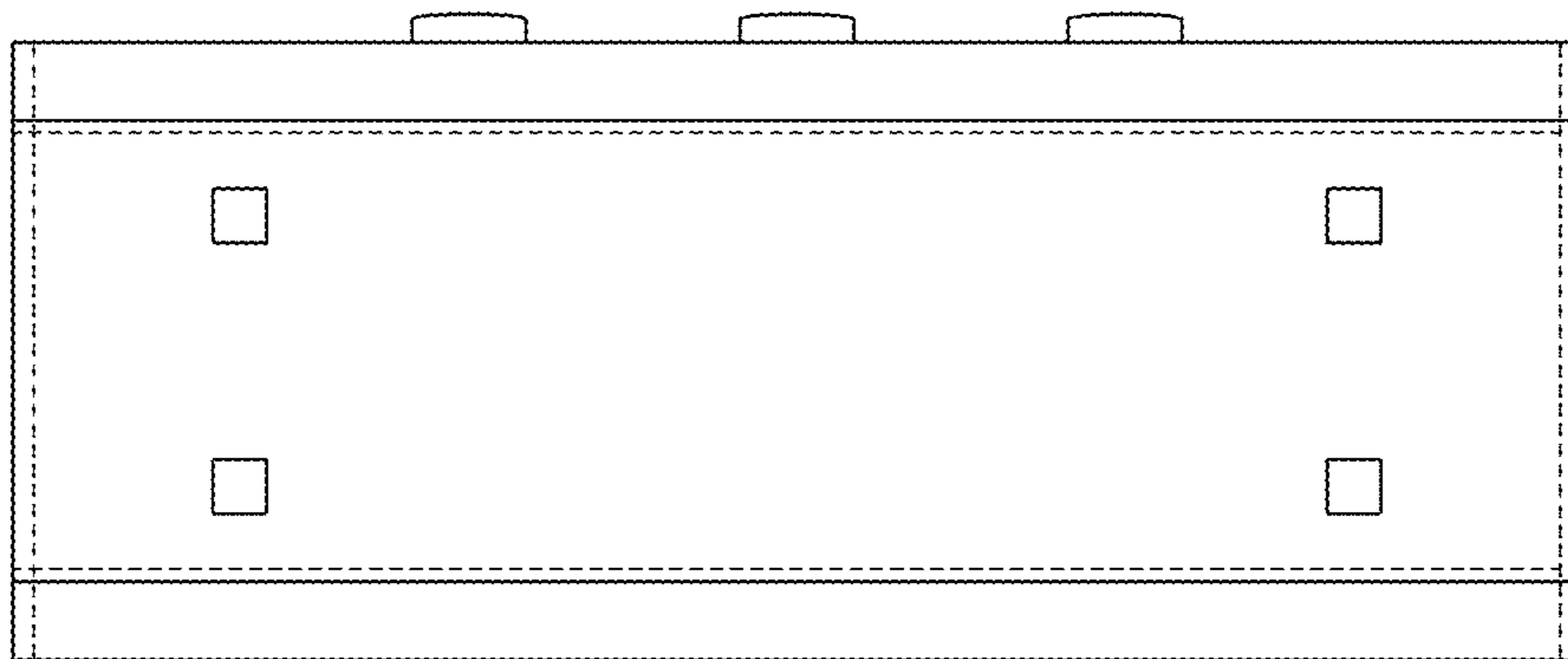


FIG. 7