



US00D872458S

(12) **United States Design Patent**  
**Lyon et al.**

(10) **Patent No.:** **US D872,458 S**  
(45) **Date of Patent:** **\*\* Jan. 14, 2020**

(54) **SLIDER**

(71) Applicant: **Hydrapak LLC**, Oakland, CA (US)

(72) Inventors: **Matthew J. Lyon**, Moraga, CA (US);  
**Samuel M. Lopez**, San Francisco, CA (US);  
**Michael Massucco**, Oakland, CA (US);  
**Kevin Somarriba**, Hayward, CA (US)

(73) Assignee: **Hydrapak LLC**, Oakland, CA (US)

(\*\*) Term: **15 Years**

(21) Appl. No.: **29/653,625**

(22) Filed: **Jun. 17, 2018**

(51) **LOC (12) Cl.** ..... **03-01**

(52) **U.S. Cl.**

USPC ..... **D3/202**

(58) **Field of Classification Search**

USPC ..... D3/201, 202, 216; D9/405, 708, 709,  
D9/446, 439; D7/509

CPC ..... A45F 2003/166; A45F 2003/163; A45F  
3/18; A45F 3/20; A45F 2003/205; A45F  
2200/0583

See application file for complete search history.

(56) **References Cited**

**U.S. PATENT DOCUMENTS**

D505,540 S \* 5/2005 Lien ..... D24/207  
D517,308 S \* 3/2006 Khalifa ..... D3/202  
7,083,063 B2 \* 8/2006 Lien ..... B65D 33/06  
220/291  
D539,027 S \* 3/2007 Gressock ..... D3/202

D640,466 S \* 6/2011 Staton ..... D3/202  
8,267,283 B2 \* 9/2012 Staton ..... A45F 3/20  
222/175  
D806,476 S \* 1/2018 Karl, IV ..... D7/509  
D830,050 S \* 10/2018 Gordon ..... D3/202  
2004/0217117 A1 \* 11/2004 Lien ..... A45F 3/20  
220/375  
2005/0254734 A1 \* 11/2005 Yang ..... A45F 3/20  
383/80  
2010/0084411 A1 \* 4/2010 Lien ..... A45F 3/20  
220/592.16  
2011/0091136 A1 \* 4/2011 Danch ..... A45C 1/02  
383/59  
2016/0236826 A1 \* 8/2016 Hoskins ..... B65D 33/1658

\* cited by examiner

*Primary Examiner* — Philip S Hyder

(74) *Attorney, Agent, or Firm* — Levine Bagade Han LLP

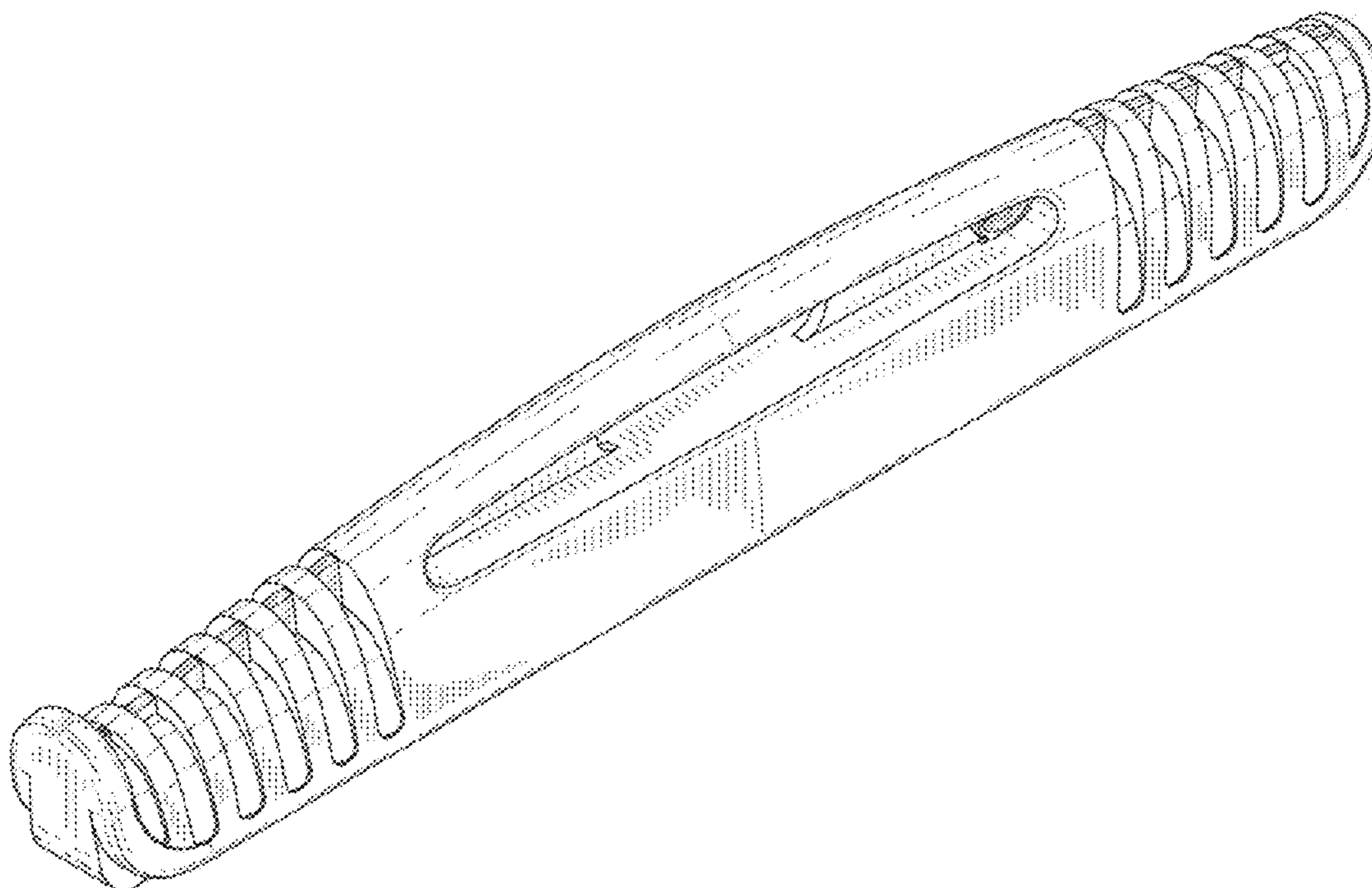
(57) **CLAIM**

The ornamental design for a slider, as shown and described.

**DESCRIPTION**

FIG. 1 is an angled top perspective view of a slider;  
FIG. 2 is an angled bottom perspective view of the slider  
shown in FIG. 1;  
FIG. 3 is a right side view of the slider shown in FIG. 1;  
FIG. 4 is a top view of the slider shown in FIG. 1;  
FIG. 5 is a left side view of the slider shown in FIG. 1;  
FIG. 6 is a bottom view of the slider shown in FIG. 1;  
FIG. 7 is a rear view of the slider shown in FIG. 1; and,  
FIG. 8 is a front view of a slider shown in FIG. 1.  
The elements shown in broken lines are to show environ-  
ment and form no part of the claimed design.

**1 Claim, 5 Drawing Sheets**



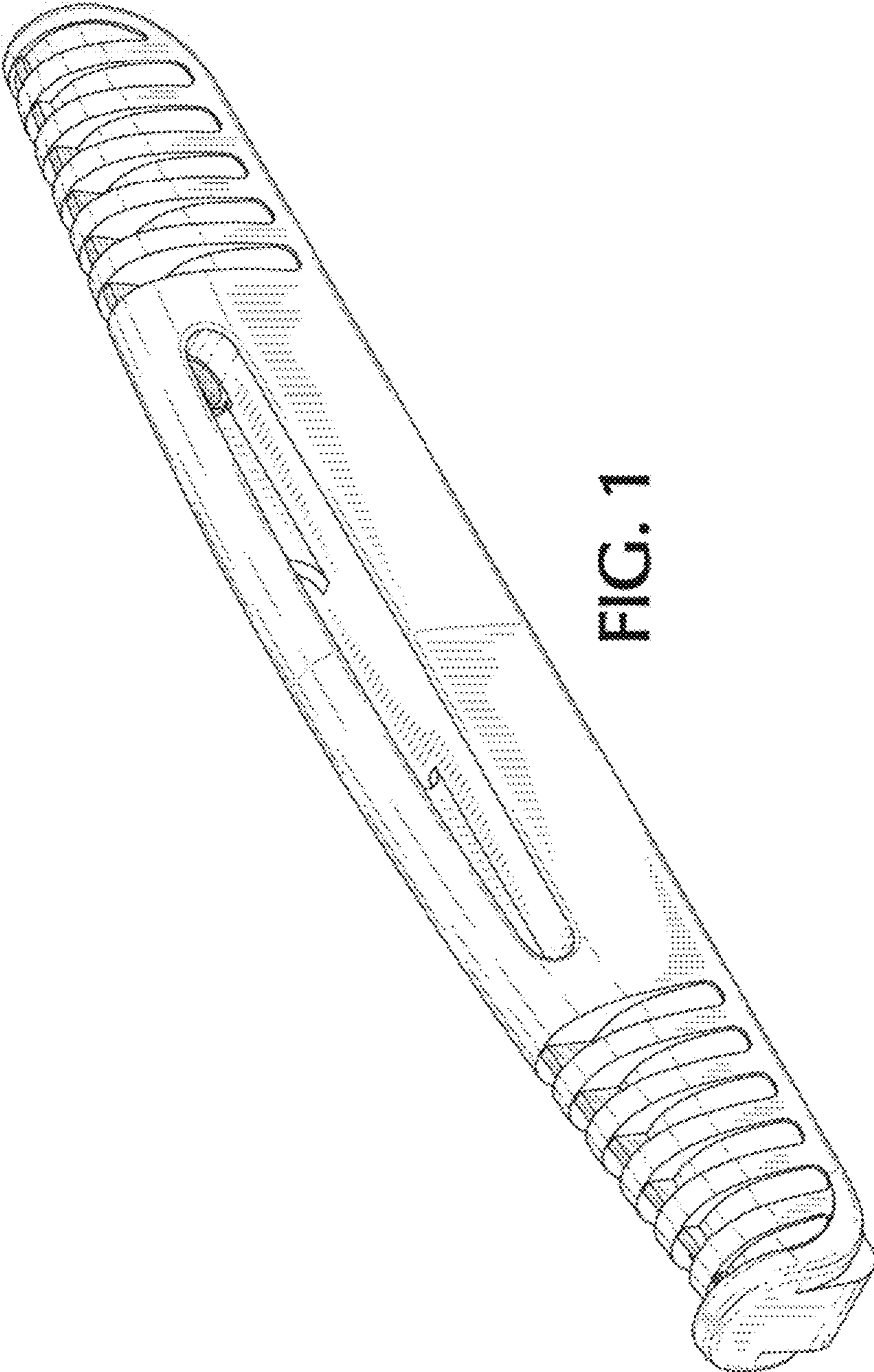


FIG. 1

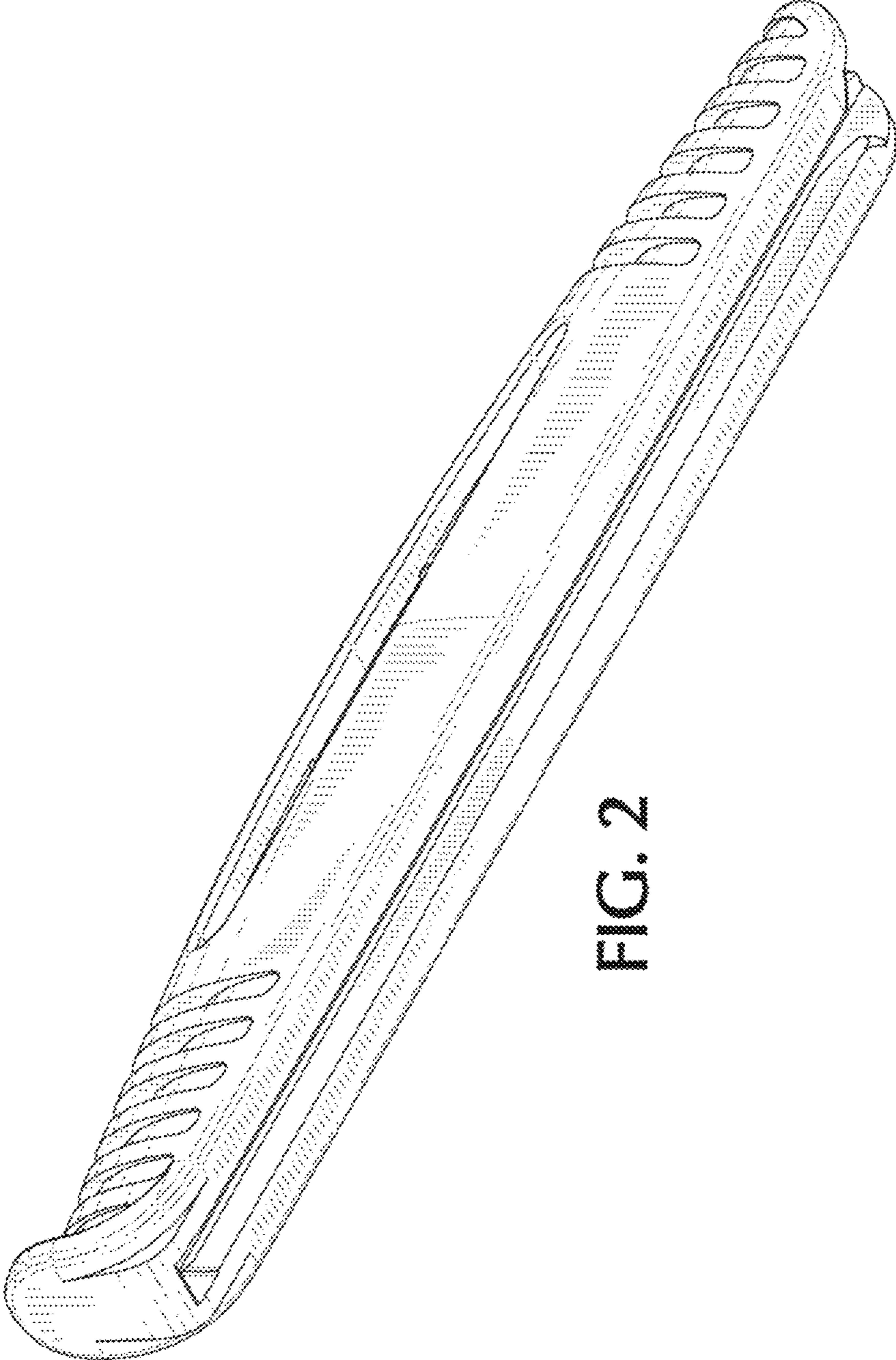


FIG. 2



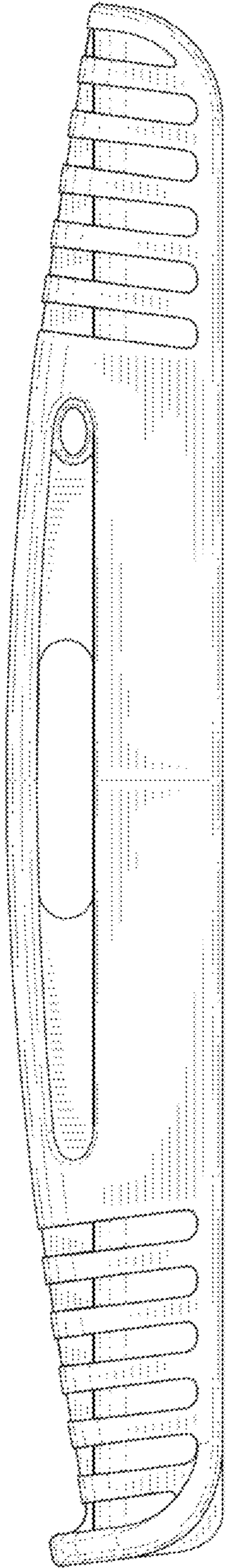


FIG. 3

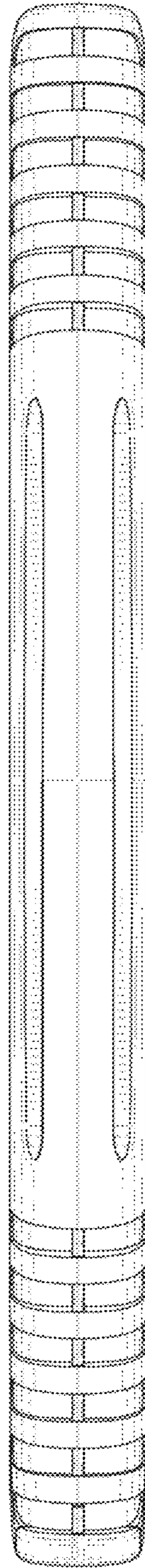


FIG. 4

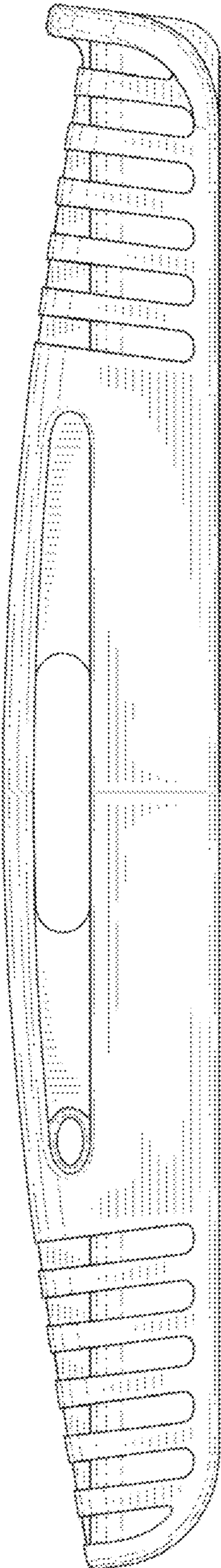


FIG. 5

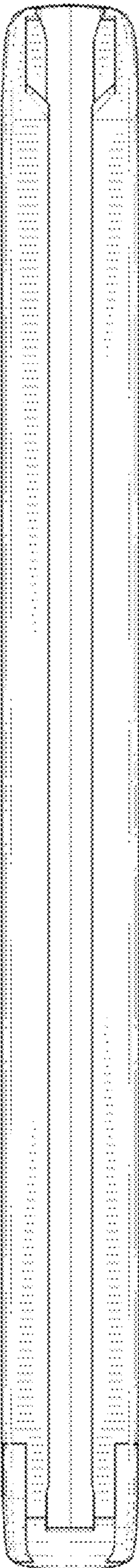


FIG. 6

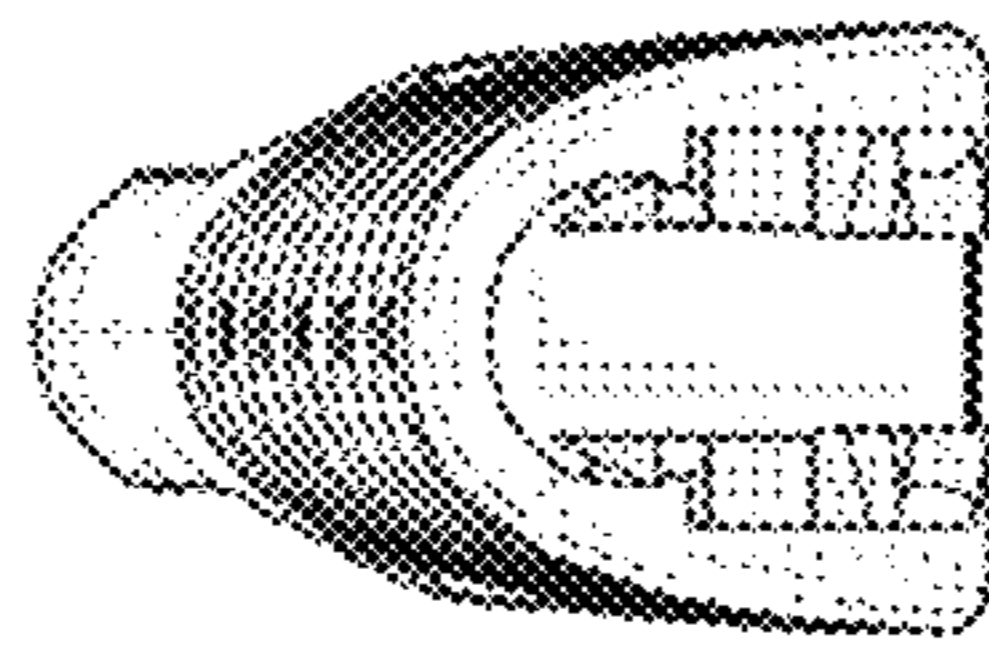


FIG. 8

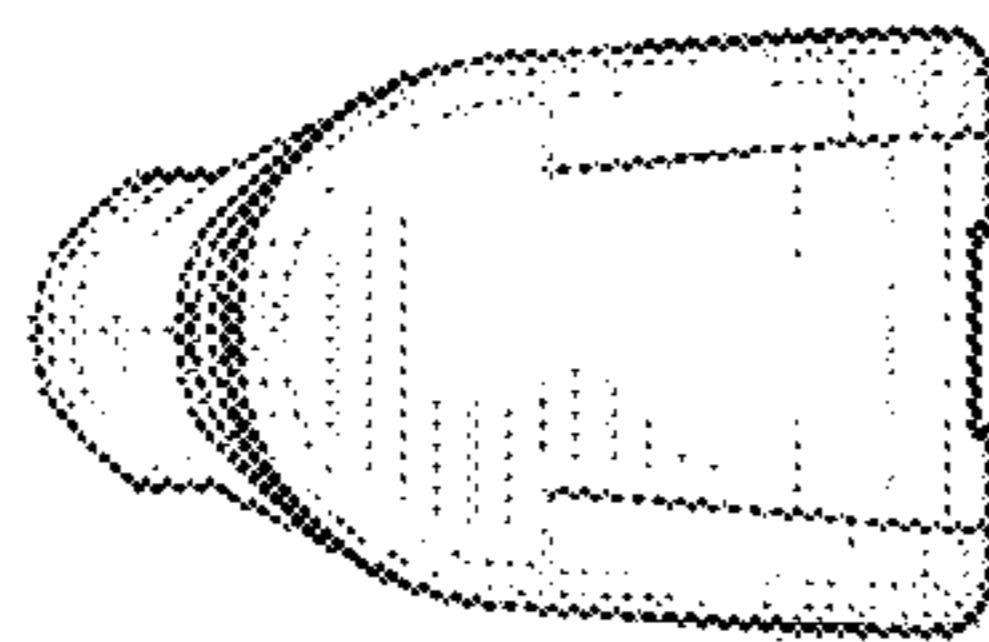


FIG. 7