



US00D872423S

(12) **United States Design Patent** (10) **Patent No.:** **US D872,423 S**
Hiney (45) **Date of Patent:** **** Jan. 14, 2020**

(54) **JACKET**

(71) Applicant: **LULULEMON ATHLETICA CANADA INC.**, Vancouver (CA)

(72) Inventor: **Joshua David Hiney**, San Francisco, CA (US)

(73) Assignee: **LULULEMON ATHLETICA CANADA INC.**, Vancouver (CA)

(**) Term: **15 Years**

(21) Appl. No.: **29/626,532**

(22) Filed: **Nov. 17, 2017**

(51) **LOC (12) Cl.** **02-02**

(52) **U.S. Cl.**
USPC **D2/858**

(58) **Field of Classification Search**
USPC D2/839, 858, 828, 840
CPC A41D 3/00
See application file for complete search history.

(56) **References Cited**

U.S. PATENT DOCUMENTS

2,369,416	A *	2/1945	Solomon	A41B 1/00
					2/115
D294,305	S *	2/1988	Meek	2/94
D306,511	S *	3/1990	Jones	D2/839
5,105,477	A *	4/1992	Golde	A41D 27/10
					2/108
D529,687	S *	10/2006	Rindle	D2/828
D555,878	S *	11/2007	Bay	D2/828
D618,440	S *	6/2010	Parker	D2/828
D620,231	S *	7/2010	Parker	D2/828
D641,137	S *	7/2011	Evans	D2/839
D641,138	S *	7/2011	Santo	D2/840
D643,597	S *	8/2011	Gaier	D2/840

(Continued)

Primary Examiner — Kevin K Rudzinski

(74) *Attorney, Agent, or Firm* — McAndrews, Held & Malloy, Ltd.

(57) **CLAIM**

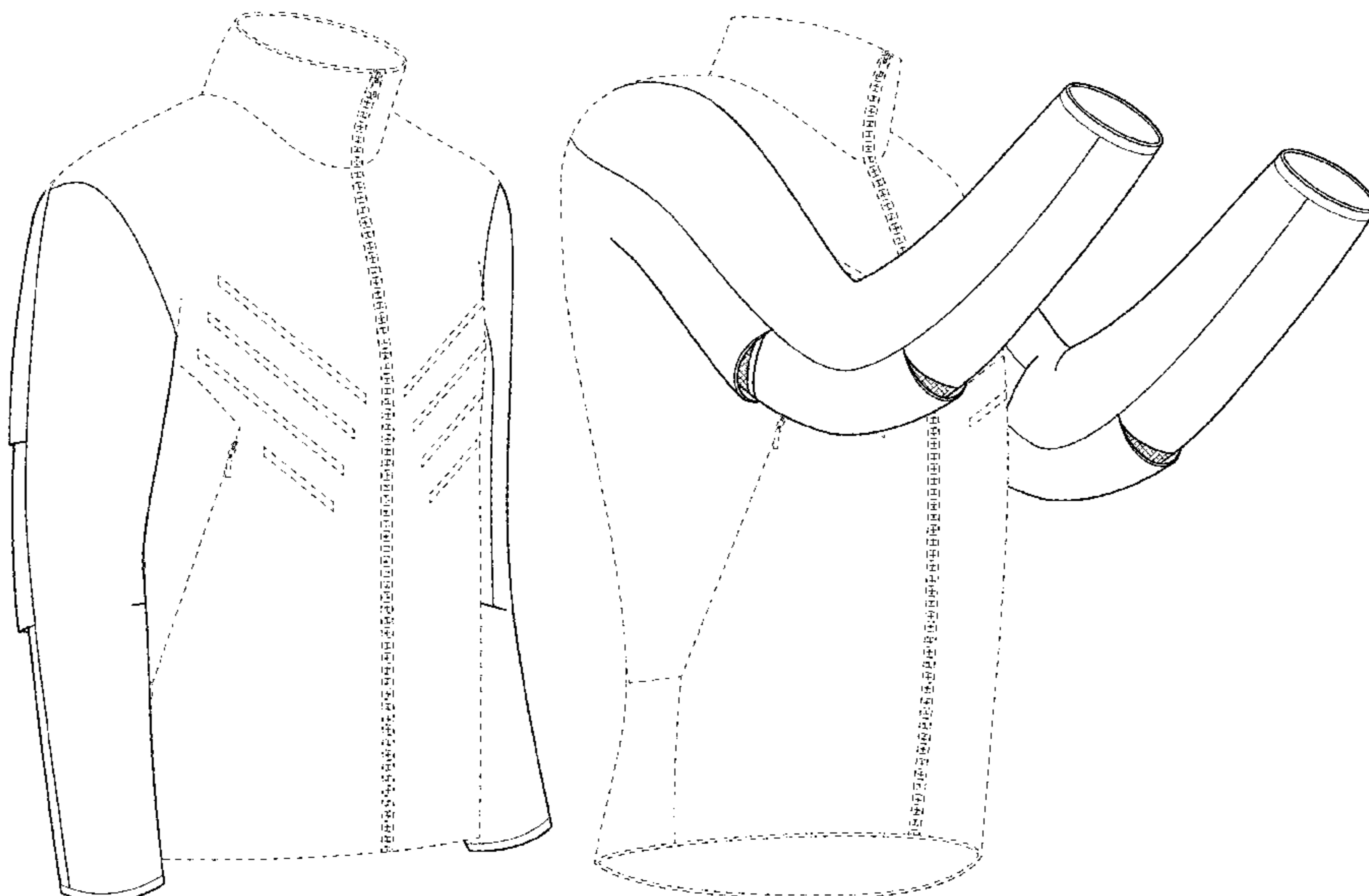
The ornamental design for a jacket, as shown and described.

DESCRIPTION

FIG. 1 is a front view of a jacket showing my new design; FIG. 2 is a rear view thereof; FIG. 3 is a right side view thereof; FIG. 4 is a left side view thereof; FIG. 5 is a front perspective view thereof; FIG. 6 is a rear perspective view thereof; FIG. 7 is a front view thereof shown in an environment of use; FIG. 8 is a right side view thereof with sleeves thereof shown in a bent position and with vents formed in the sleeves thereof shown in an opened position; FIG. 9 is a left side view thereof; FIG. 10 is a front perspective view thereof; FIG. 11 is a front bottom perspective view thereof with the sleeves thereof shown in a bent and raised position and with the vents formed in the sleeves thereof shown in an opened position; and, FIG. 12 is an enlarged front bottom perspective fragmentary view of the elbow portion of the right sleeve of the jacket shown in FIG. 11.

The portions of the jacket shown in broken lines in FIGS. 1-12 do not form part of the claimed design. The broken line showing of the hands, neck, and head in FIG. 7 is for the purpose of illustrating portions of the environmental structure and forms no part of the claimed design. The broken lines in FIG. 11 encircling a portion of the claimed design that is illustrated in an enlarged view in FIG. 12 form no part of the claimed design. The jagged lines in FIG. 12 indicate the outermost limits of the enlarged area encircled in FIG. 11 and form no part of the claimed design.

1 Claim, 12 Drawing Sheets



(56)

References Cited

U.S. PATENT DOCUMENTS

D654,664	S *	2/2012	Evans	D2/839
D685,158	S *	7/2013	Lambertz	D2/828
D691,782	S *	10/2013	Meredith	D2/840
D698,525	S *	2/2014	Roberts	D2/839
8,661,563	B2 *	3/2014	Evans	A41D 13/08
				2/16
D713,130	S *	9/2014	Boyle	D2/849
D738,594	S *	9/2015	Boyle	D2/840
D746,550	S *	1/2016	Roberts	D2/839
D749,823	S *	2/2016	Grosbol	D2/839
D778,033	S *	2/2017	Darmour	D2/828
D790,807	S *	7/2017	Darmour	D2/828
10,092,050	B2 *	10/2018	Skurla, III	A41D 27/18
D836,887	S *	1/2019	Aitch	D2/828
D843,688	S *	3/2019	Pfanner	D2/828
2004/0055069	A1 *	3/2004	Clarke	A41D 3/00
				2/93
2008/0005825	A1 *	1/2008	Tronvold	A41D 3/00
				2/95
2009/0249529	A1 *	10/2009	Rodriguez	A41D 3/00
				2/97

* cited by examiner

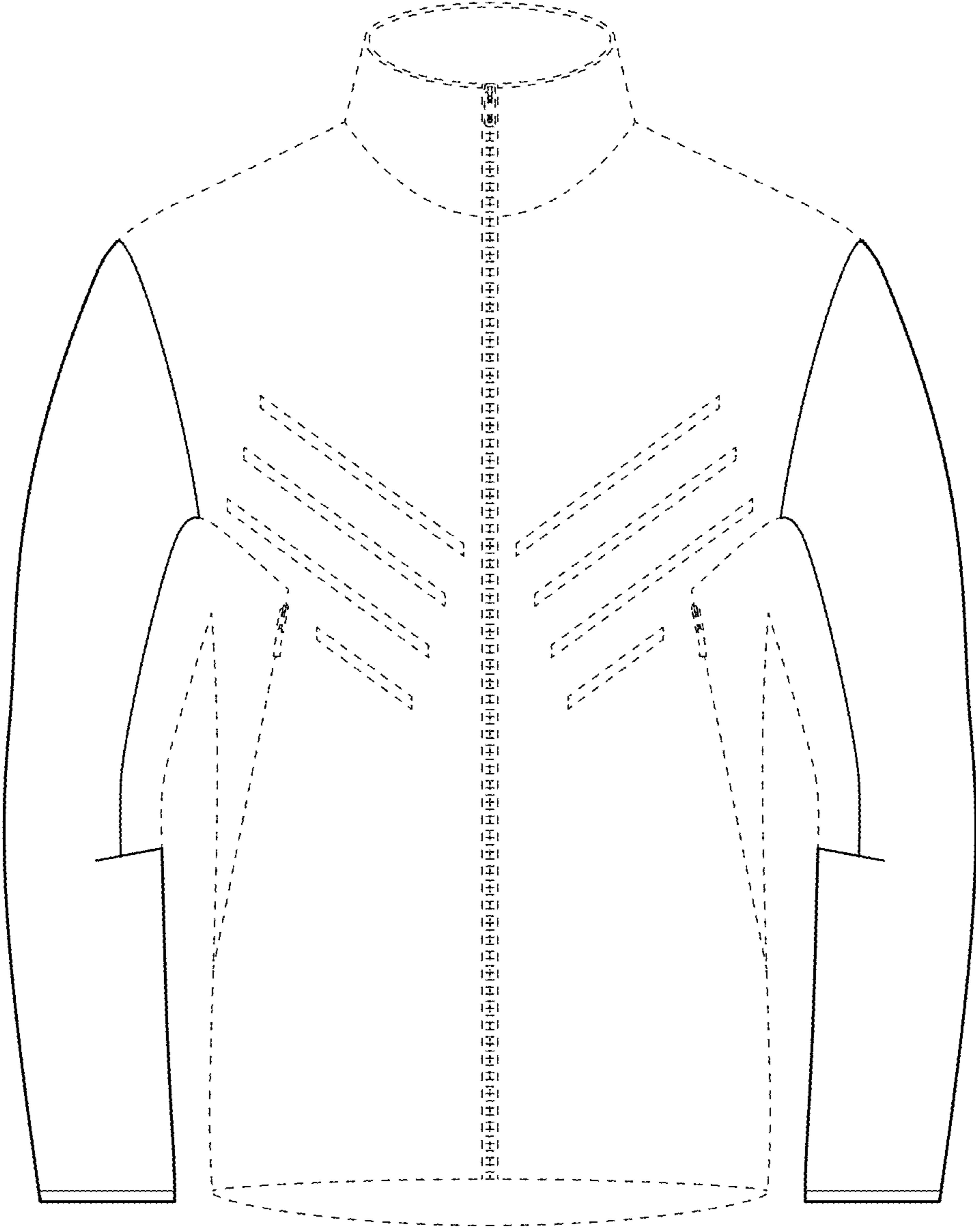


FIG. 1

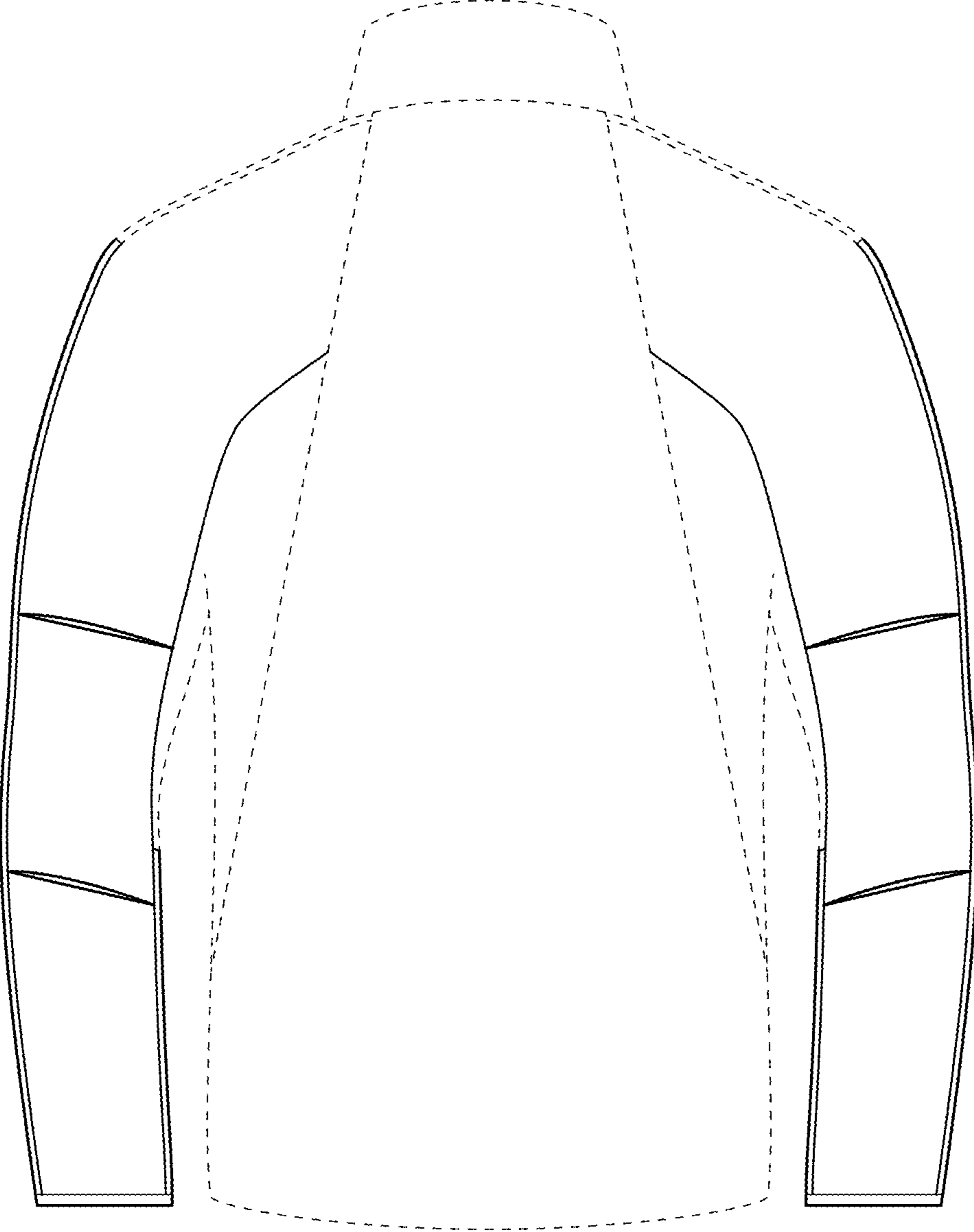


FIG. 2

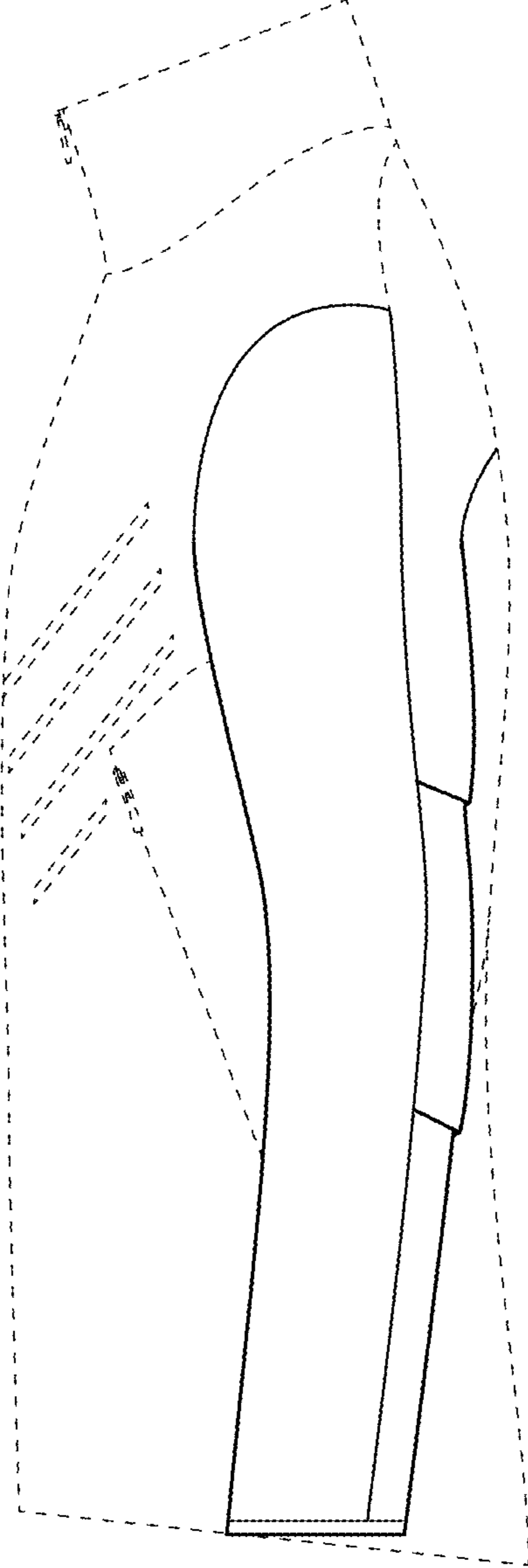


FIG. 3

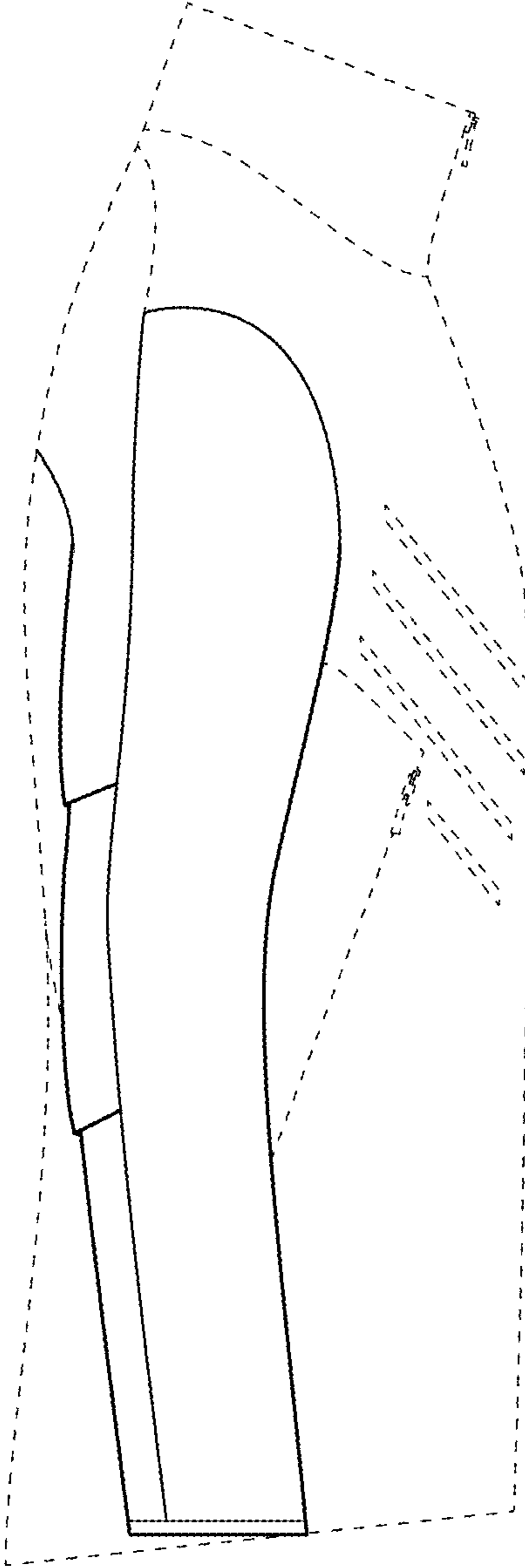


FIG. 4

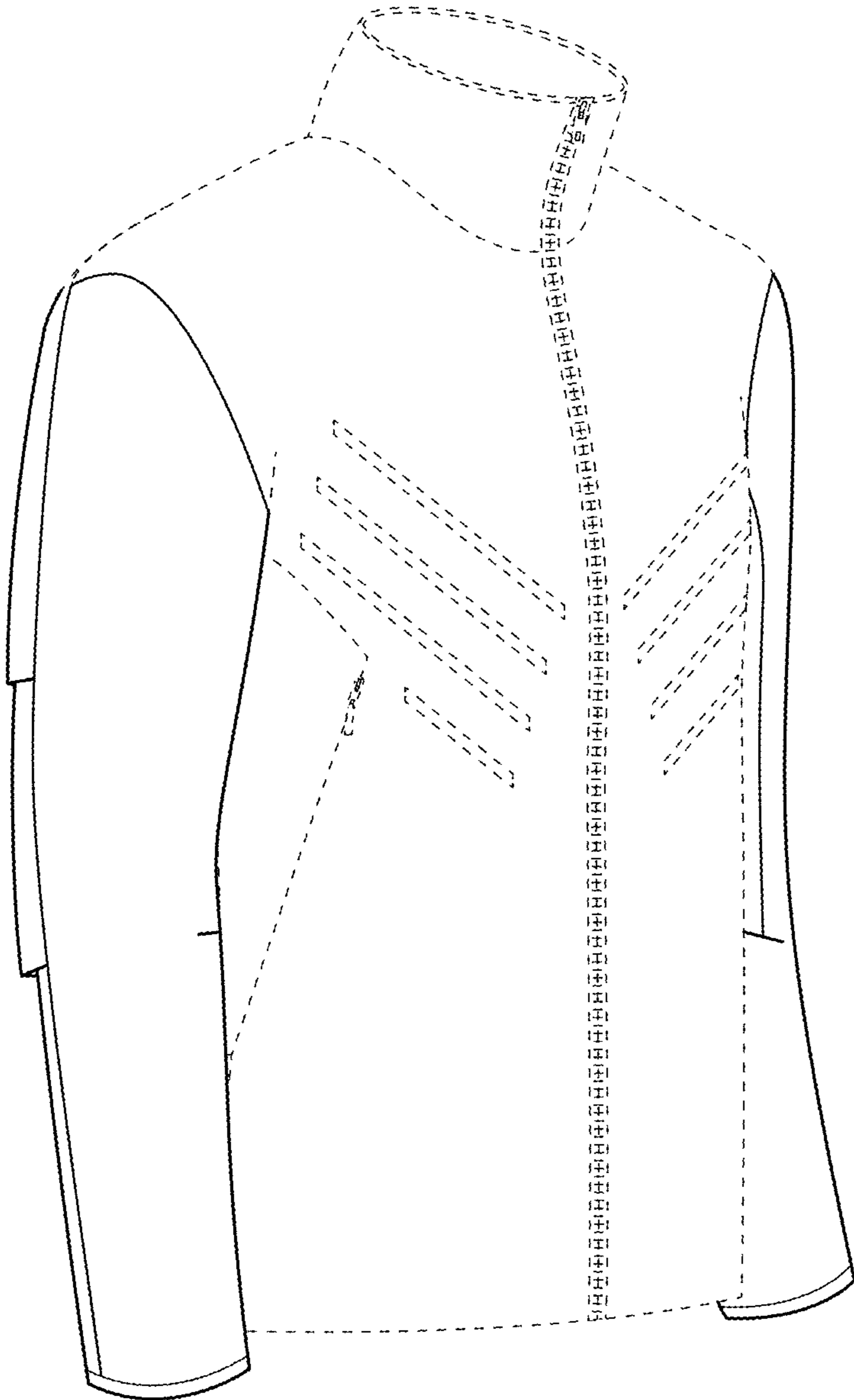


FIG. 5

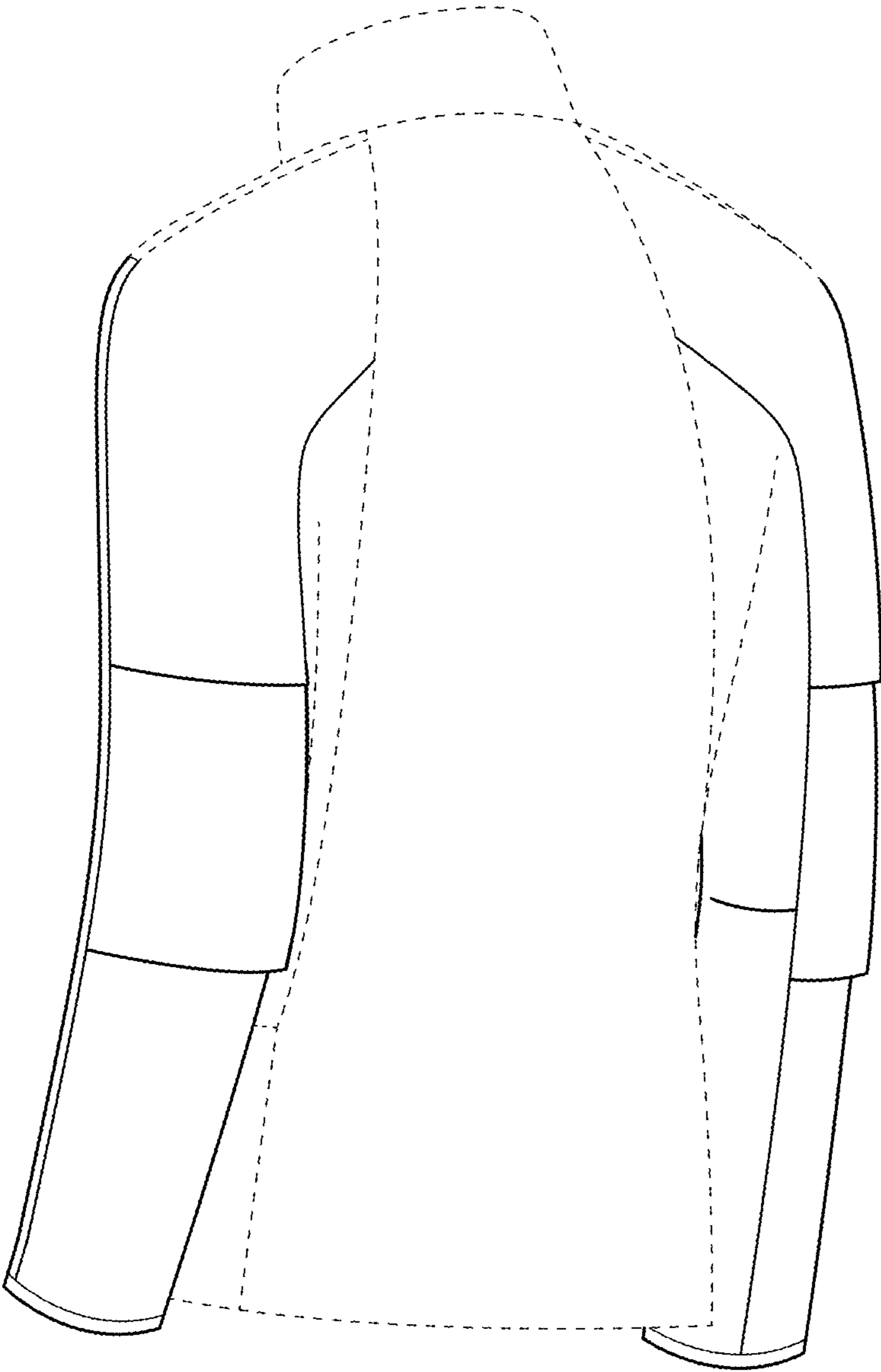


FIG. 6

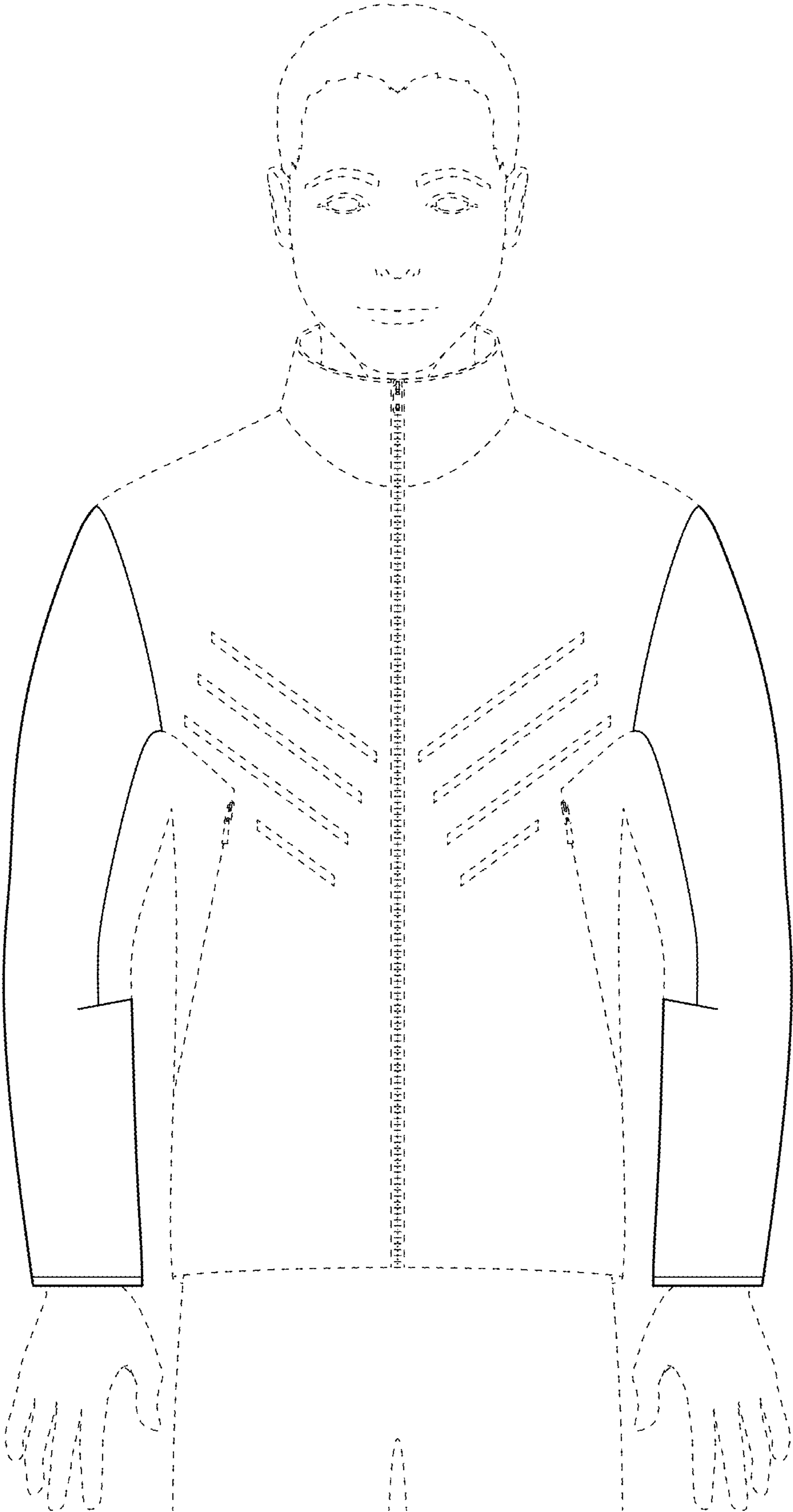


FIG. 7

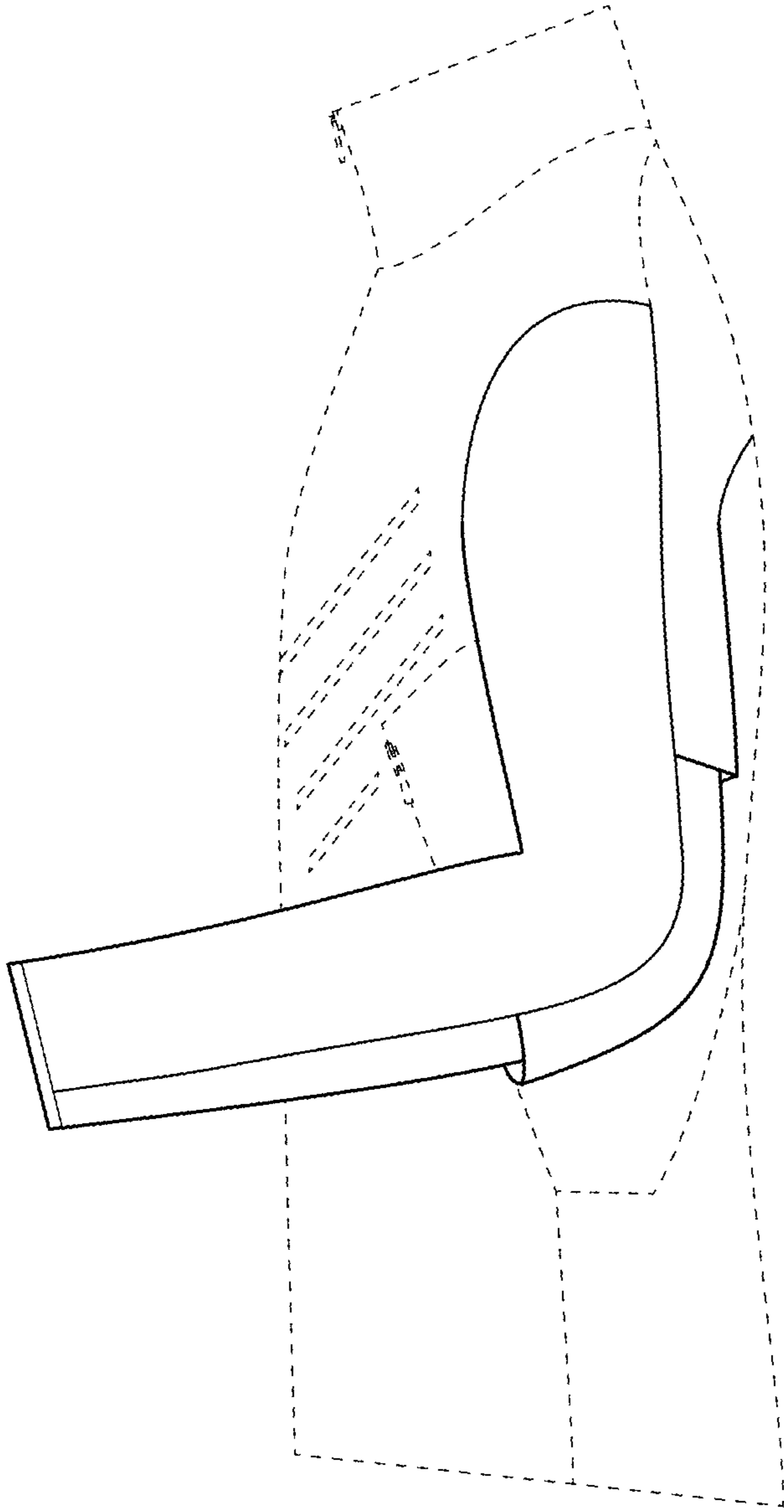


FIG. 8

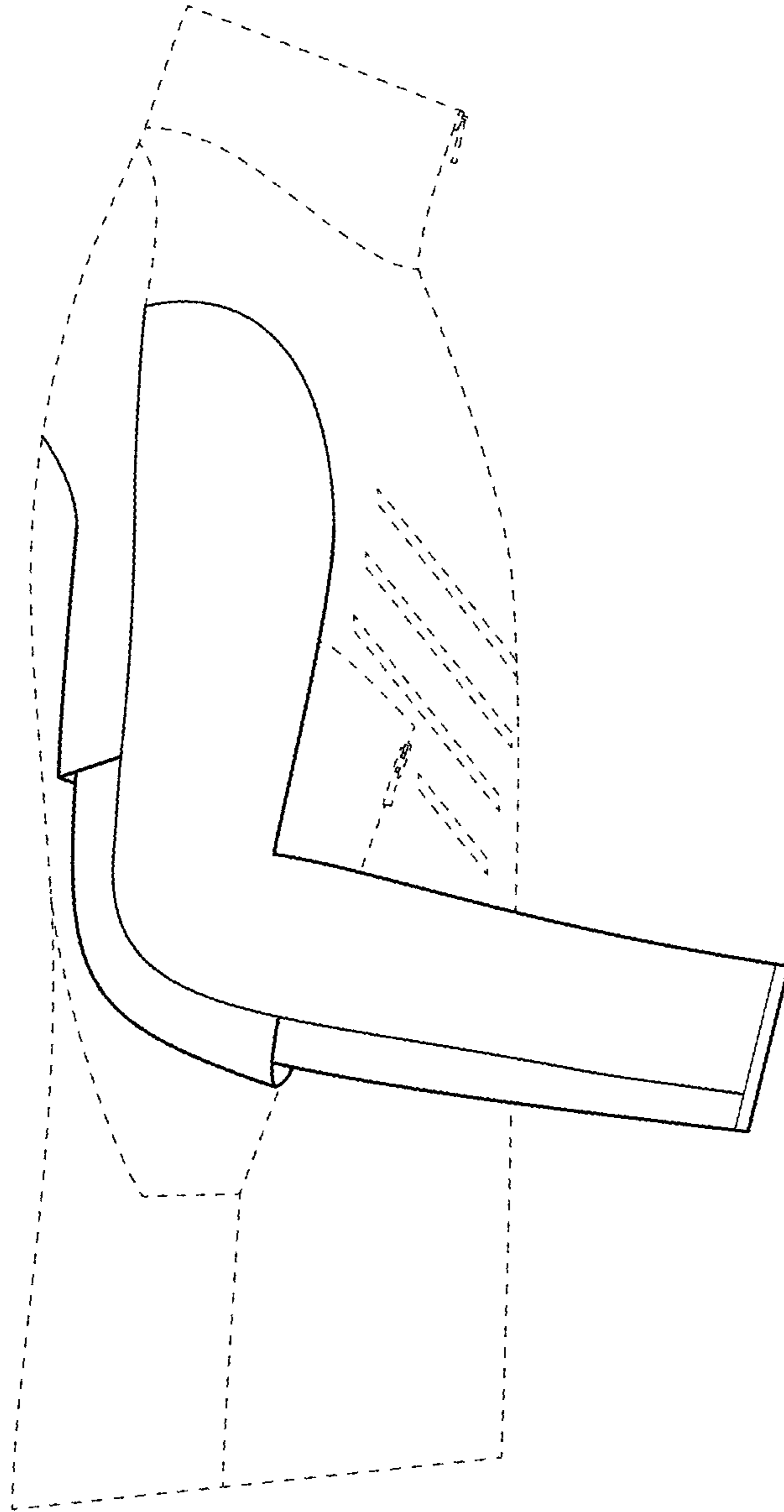


FIG. 9

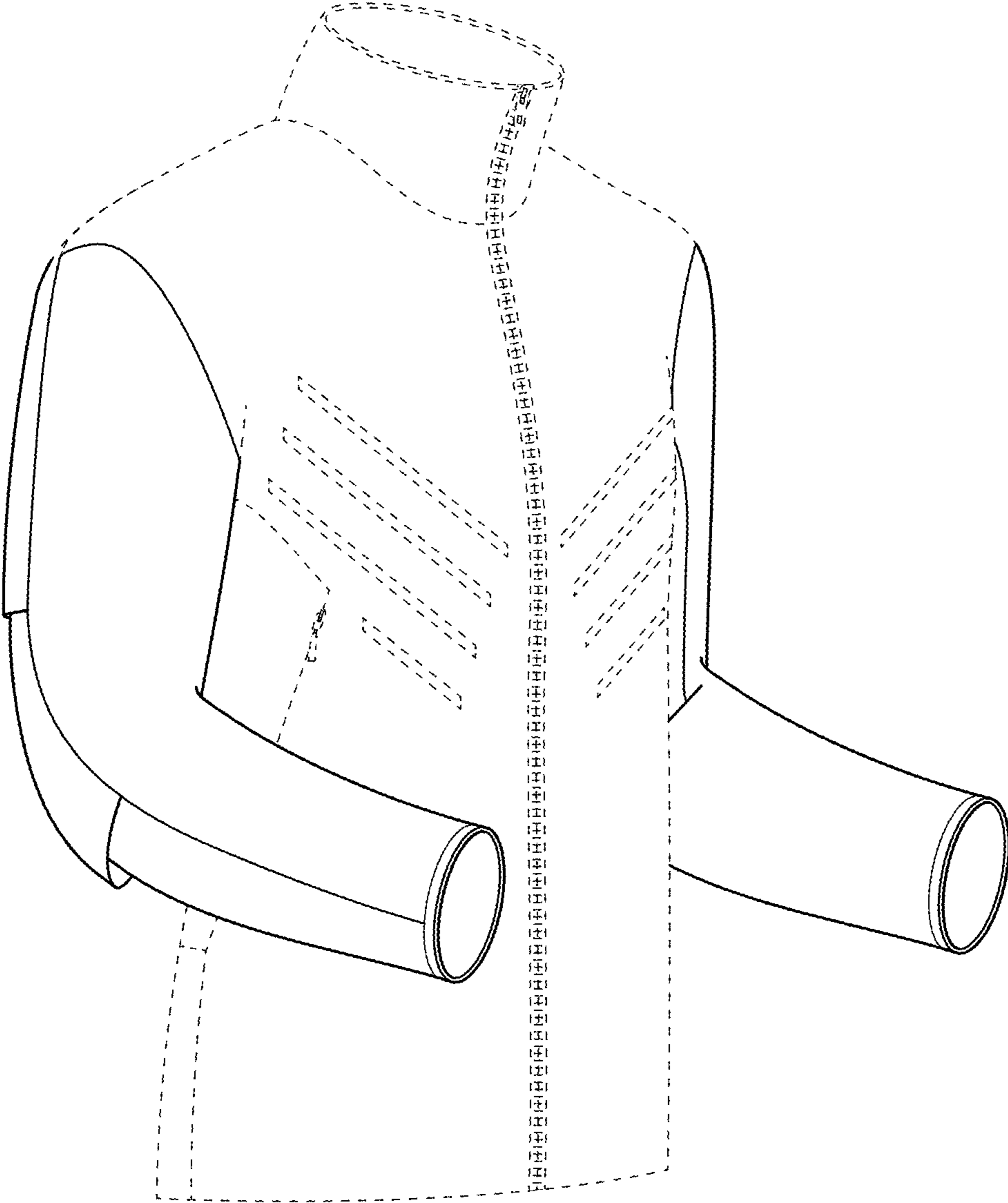


FIG. 10

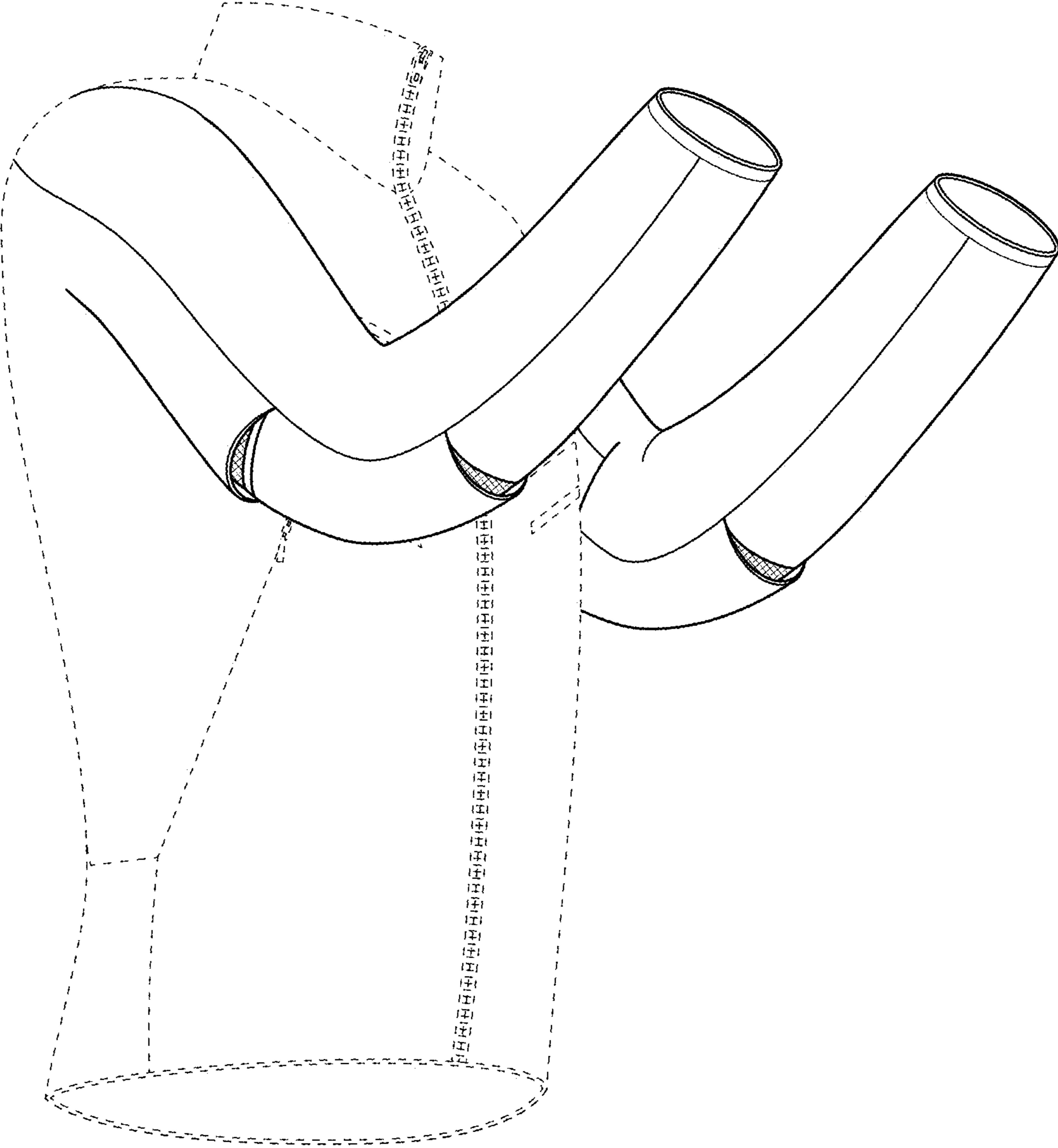


FIG. 11

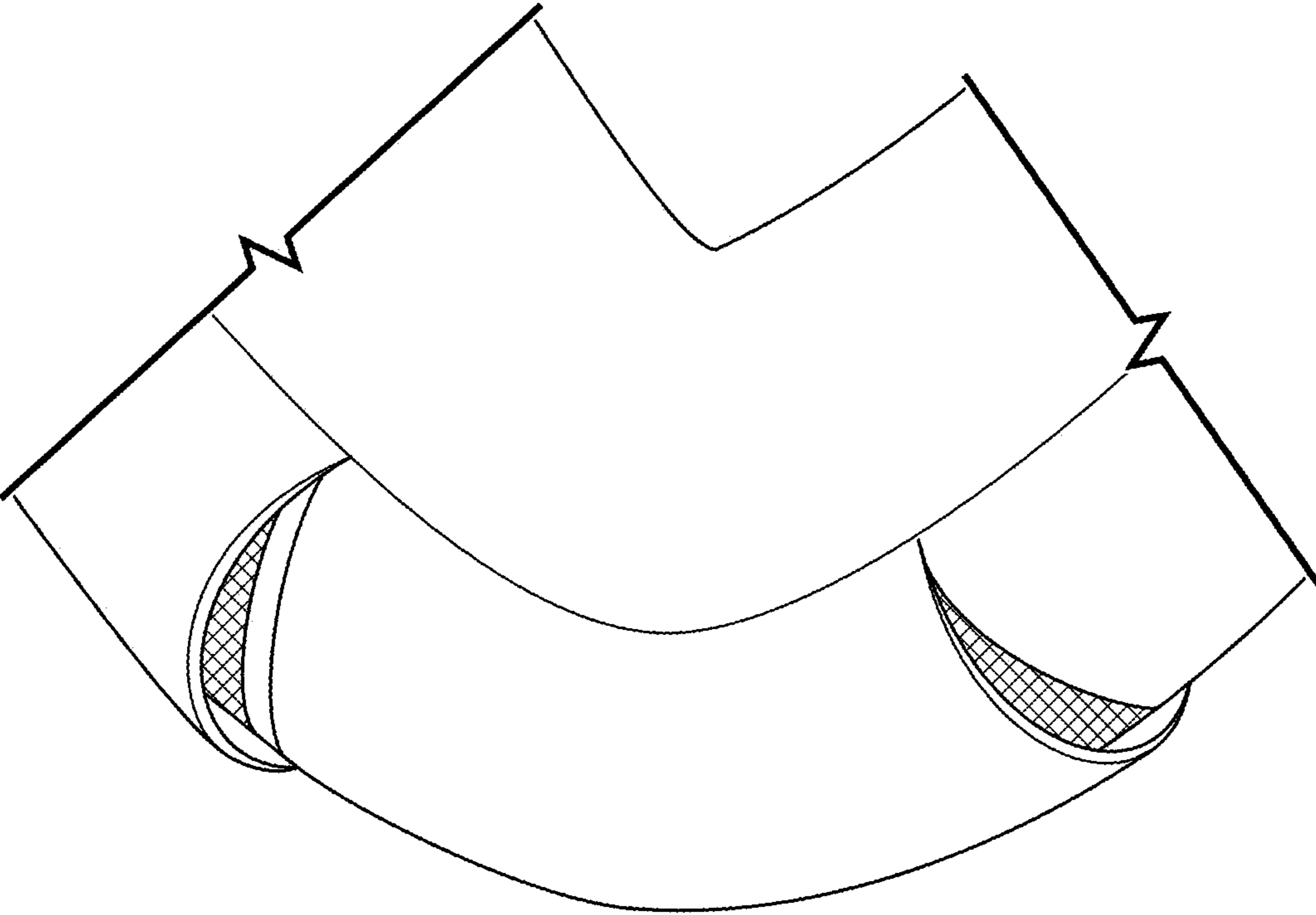


FIG. 12