



US00D872419S

(12) **United States Design Patent**  
**Cammarota et al.**

(10) **Patent No.:** **US D872,419 S**  
(45) **Date of Patent:** **\*\* Jan. 14, 2020**

- (54) **MOLDED TORTILLA POCKET**
- (71) Applicant: **General Mills, Inc.**, Minneapolis, MN (US)
- (72) Inventors: **Carina Claudia Cammarota**, Navarra (ES); **John J Fenske**, Shoreview, MN (US); **Zac Harder**, Crystal, MN (US); **Chad M Kubat**, Woodbury, MN (US); **Ralph A Stenvik**, Plymouth, MN (US)
- (73) Assignee: **General Mills, Inc.**, Minneapolis, MN (US)
- (\*\*) Term: **15 Years**
- (21) Appl. No.: **29/656,898**
- (22) Filed: **Jul. 17, 2018**
- (51) **LOC (12) Cl.** ..... **01-01**
- (52) **U.S. Cl.**  
USPC ..... **D1/122**
- (58) **Field of Classification Search**  
USPC ..... D1/100-130, 199; 426/94, 104, 138, 426/143, 144, 274, 283, 303, 391, 512, 426/514, 518, 549; D6/597, 601; D7/675, 560, 566, 568, 601, 700; D24/122; D28/8.1, 8.2; D21/385, 386, D21/707; D11/164; 47/72  
CPC ..... A23L 1/0067; A23L 1/005; A23L 1/0052; A23L 1/217; A23G 9/48; A23G 3/54; A23V 2002/00  
See application file for complete search history.

1,835,719 A \* 12/1931 Parr ..... A23G 9/50  
426/134  
1,850,356 A \* 3/1932 Parr ..... A23G 9/48  
426/139  
D88,951 S 1/1933 Davison  
(Continued)

**FOREIGN PATENT DOCUMENTS**

FR 2976457 12/2012  
*Primary Examiner* — Katie Jane Stofko  
(74) *Attorney, Agent, or Firm* — Diederiks & Whitelaw, PLC; John L. Crimmins, Esq.

(57) **CLAIM**

The ornamental design for a molded tortilla pocket, as shown and described.

**DESCRIPTION**

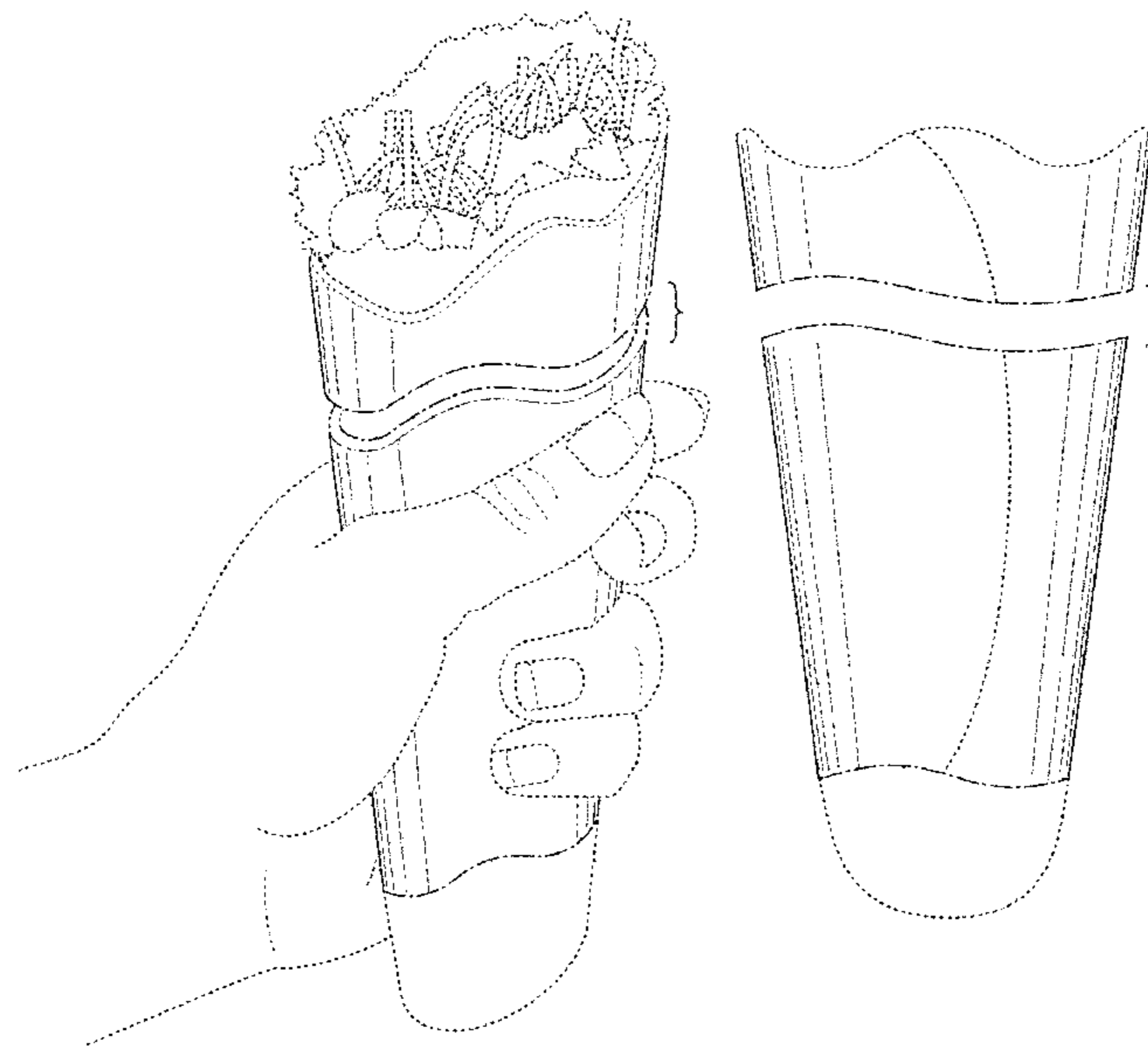
FIG. 1 is an upper perspective view of a molded tortilla pocket according to our new design;  
FIG. 2 is a front elevational view of the molded tortilla pocket;  
FIG. 3 is a rear elevational view of the molded tortilla pocket;  
FIG. 4 is a left side view of the molded tortilla pocket;  
FIG. 5 is a right side view of the molded tortilla pocket;  
FIG. 6 is a top plan view of the molded tortilla pocket; and,  
FIG. 7 is a bottom plan view of the molded tortilla pocket.  
The dash-dot-dash symbolic break lines shown in the middle portion of the molded tortilla pocket indicate that the appearance of any portion of the article between the break lines forms no part of the claimed design. The evenly-spaced broken lines illustrating the food and the hand in FIG. 1 illustrates environment that form no part of the claimed design while the remaining evenly-spaced broken lines in the drawings illustrate portions of the molded tortilla pocket that form no part of the claimed design. The dash-dot-dash broken lines shown in FIGS. 1-7 illustrate the boundary of the claimed design which forms no part thereof.

(56) **References Cited**

**U.S. PATENT DOCUMENTS**

1,300,164 A \* 4/1919 Guardino ..... B65D 5/2047  
229/104  
D62,515 S \* 6/1923 Wood ..... D1/116

**1 Claim, 4 Drawing Sheets**





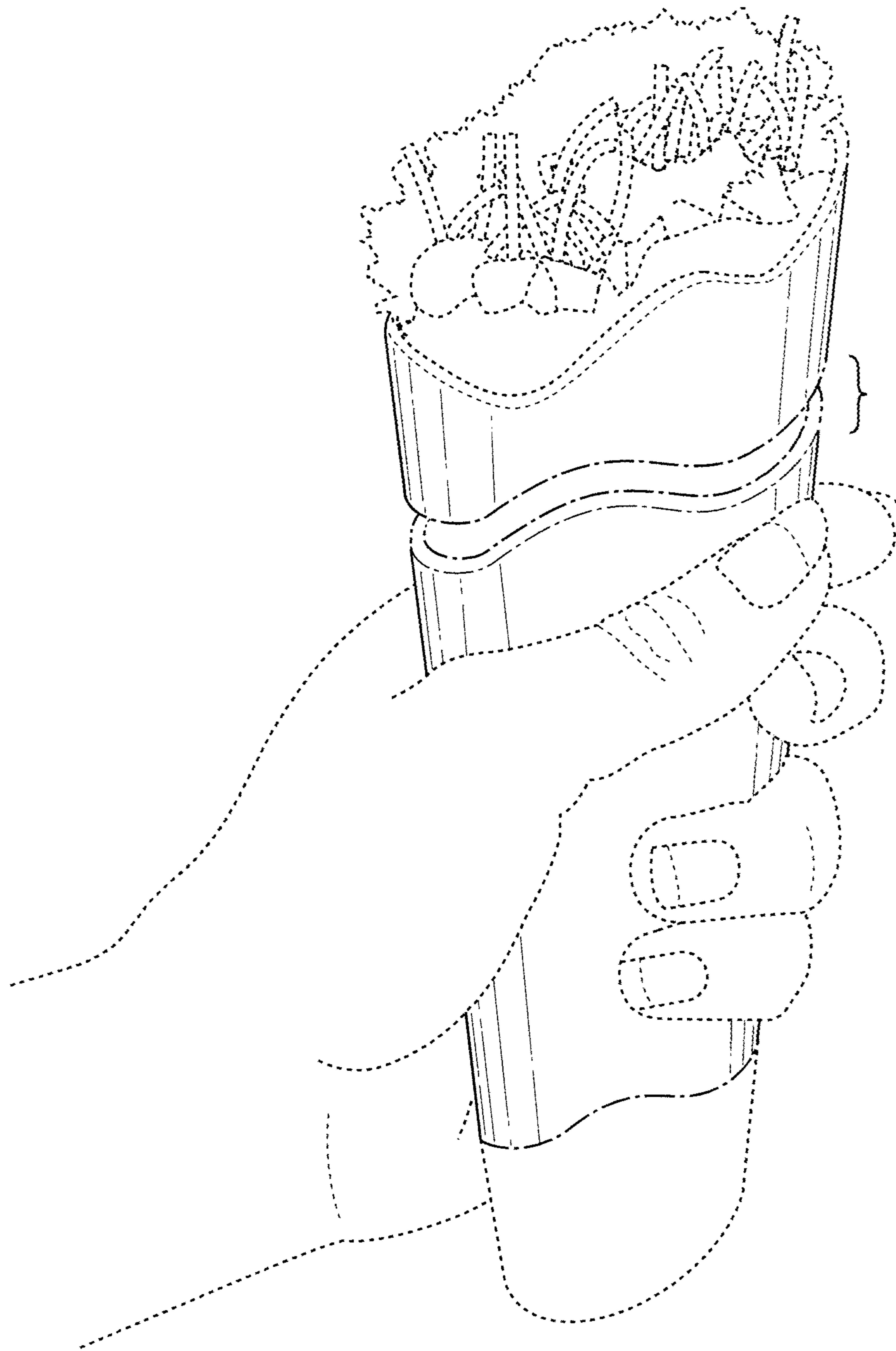


FIG. 1

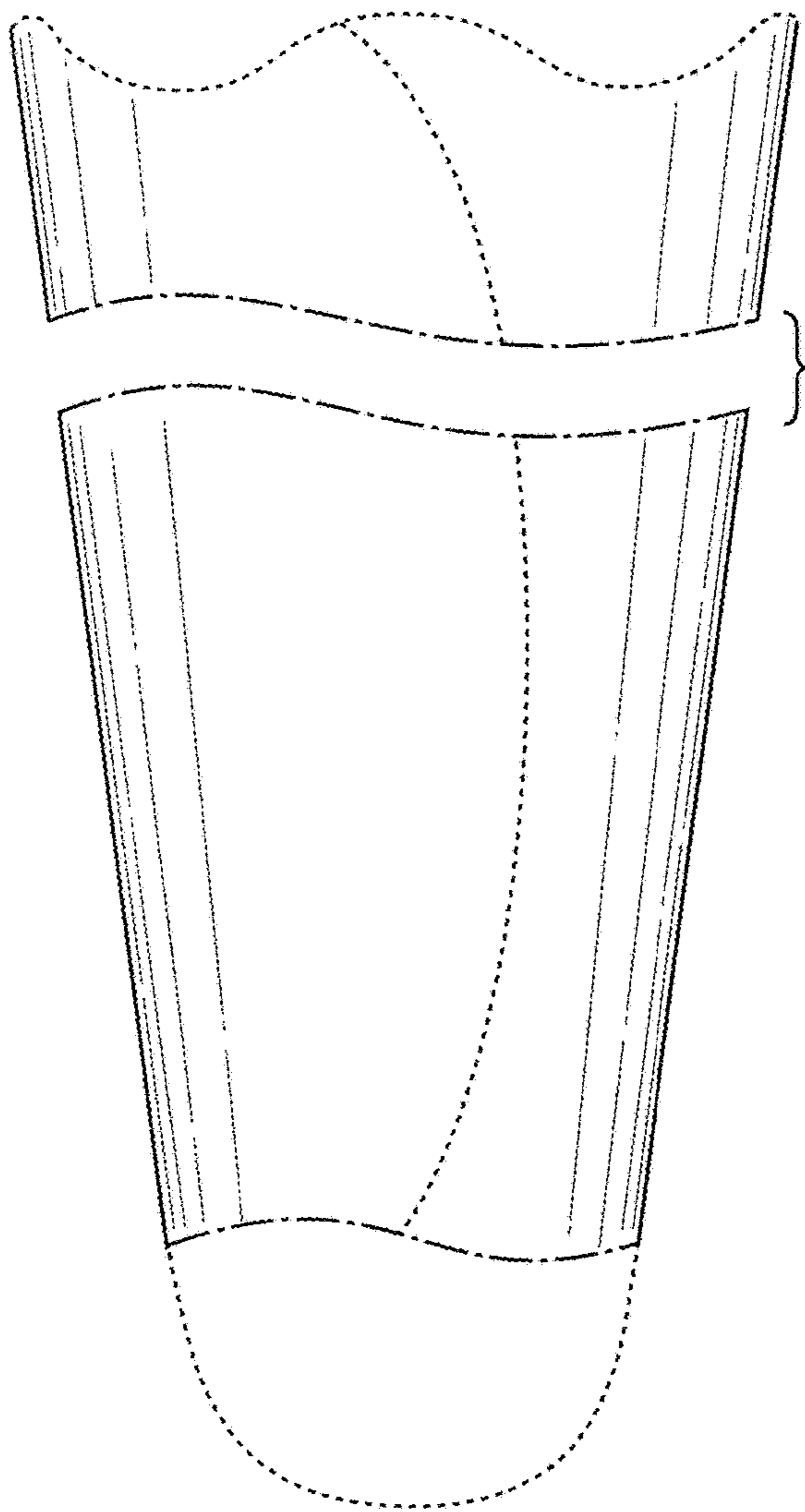


FIG. 2

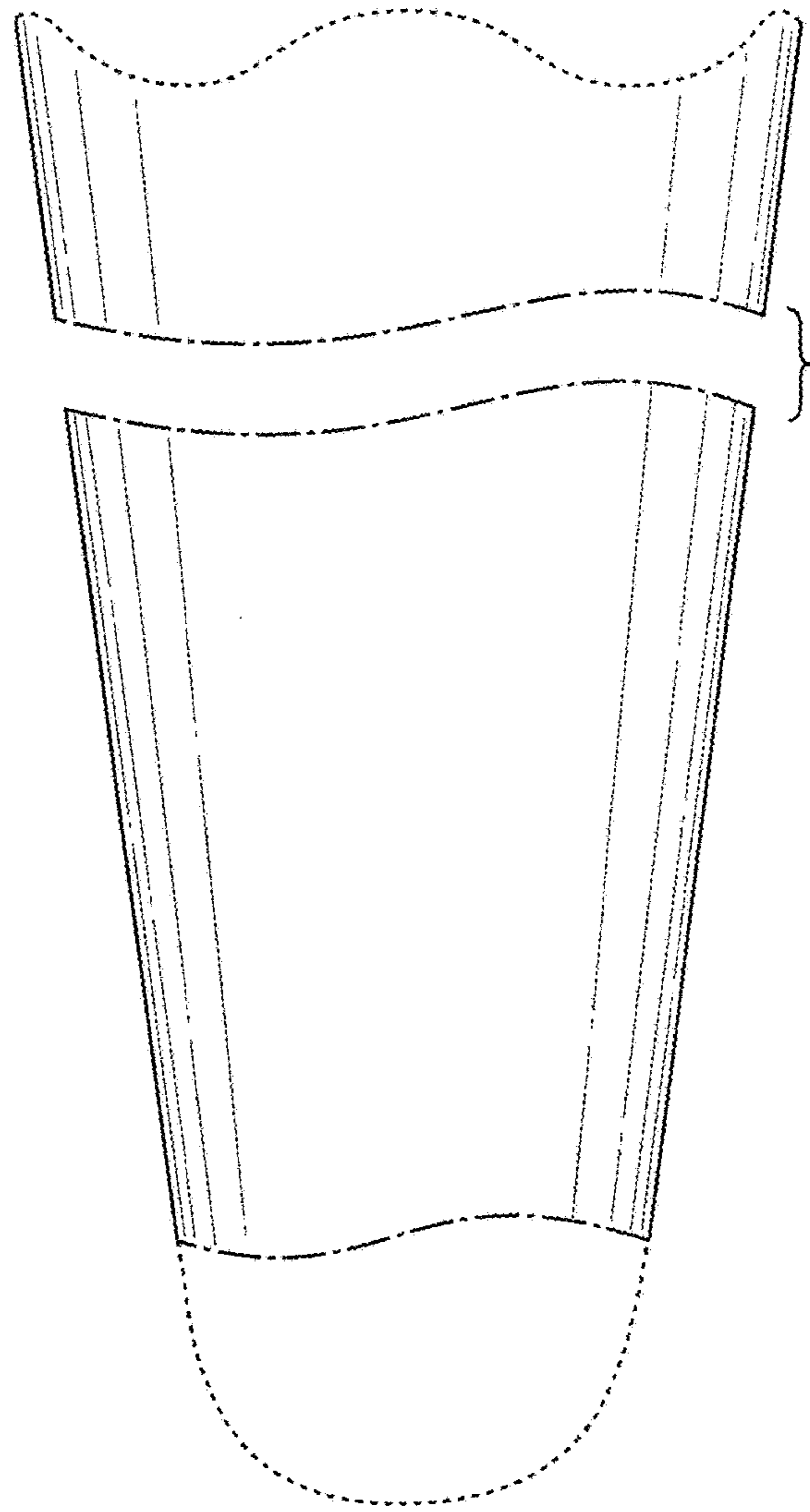


FIG. 3

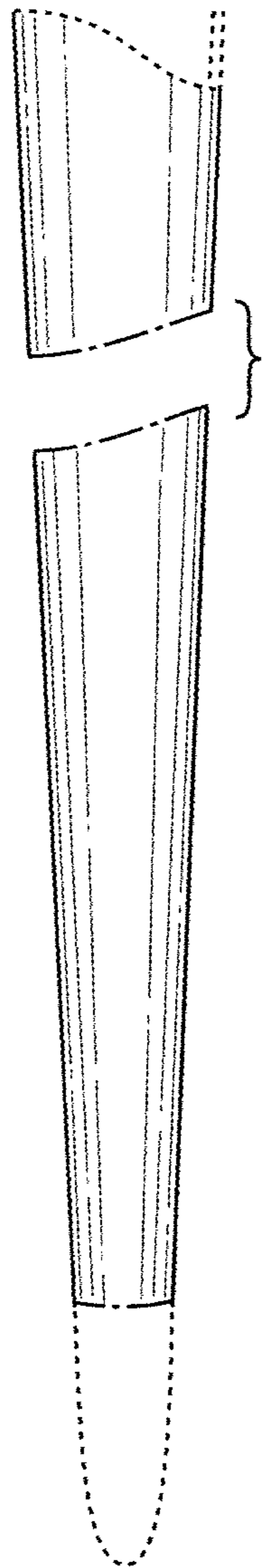


FIG. 4

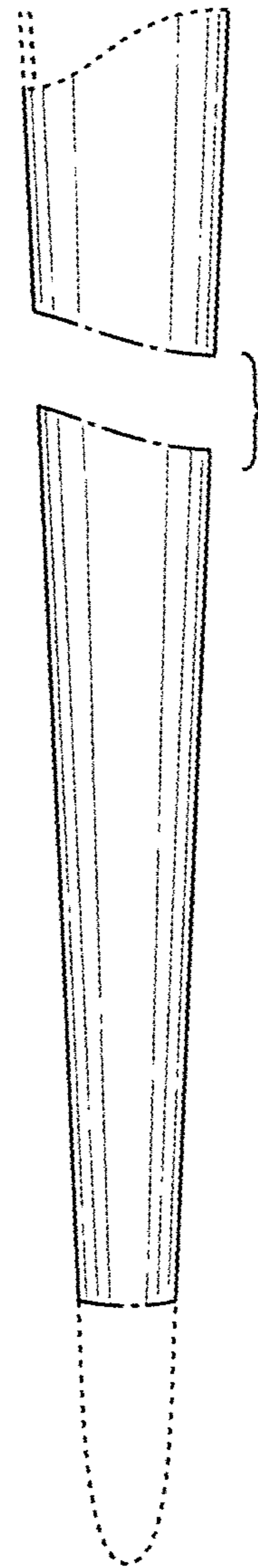
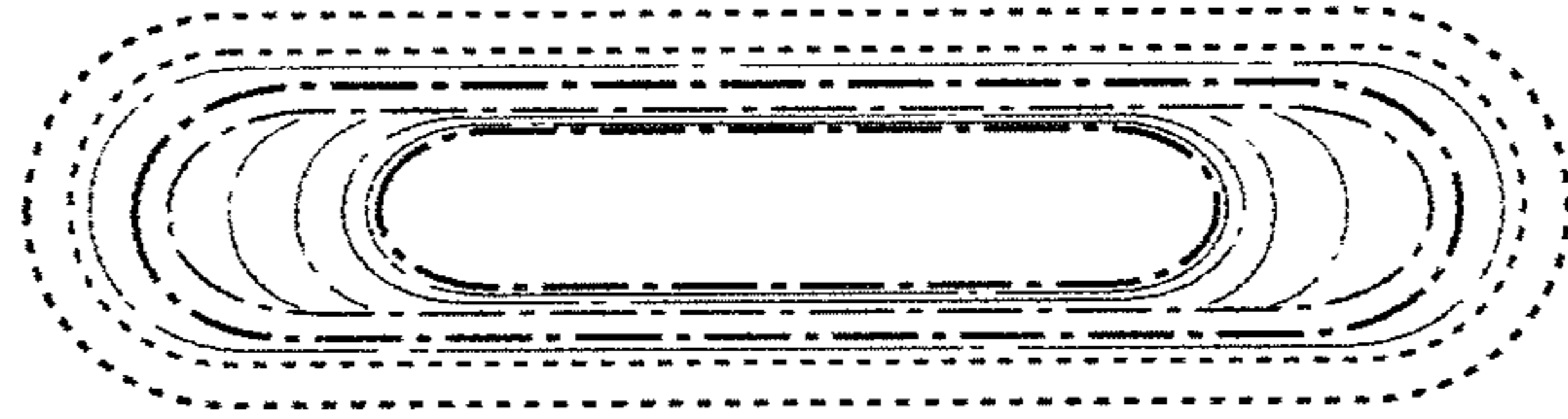
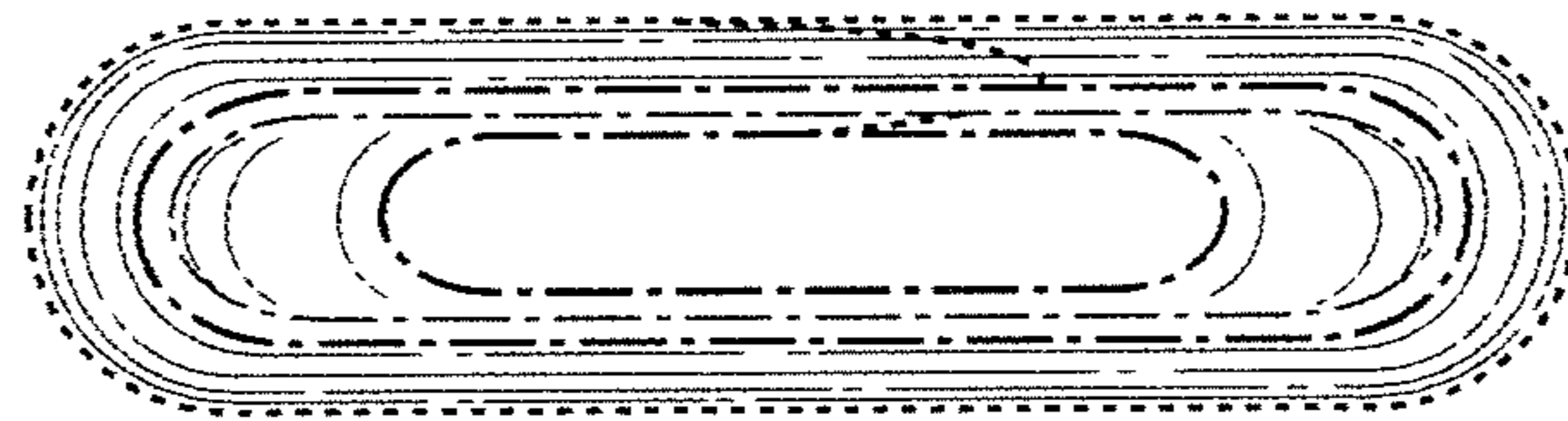


FIG. 5



**FIG. 6**



**FIG. 7**