



US00D872418S

(12) **United States Design Patent**
Cammarota et al.

(10) **Patent No.:** **US D872,418 S**
(45) **Date of Patent:** **** Jan. 14, 2020**

- (54) **MOLDED TORTILLA POCKET**
- (71) Applicant: **General Mills, Inc.**, Minneapolis, MN (US)
- (72) Inventors: **Carina Claudia Cammarota**, Navarra (ES); **John J Fenske**, Shoreview, MN (US); **Zac Harder**, Crystal, MN (US); **Chad M Kubat**, Woodbury, MN (US); **Ralph A Stenvik**, Plymouth, MN (US)
- (73) Assignee: **General Mills, Inc.**, Minneapolis, MN (US)
- (**) Term: **15 Years**
- (21) Appl. No.: **29/656,895**
- (22) Filed: **Jul. 17, 2018**
- (51) **LOC (12) Cl.** **01-01**
- (52) **U.S. Cl.**
USPC **D1/122**
- (58) **Field of Classification Search**
USPC D1/100-130, 199; 426/94, 104, 138, 426/143, 144, 274, 283, 303, 391, 512, 426/514, 518, 549; D6/597, 601; D7/675, 560, 566, 568, 601, 700; D24/122; D28/8.1, 8.2; D21/385, 386, D21/707; D11/164; 47/72
CPC A23L 1/0067; A23L 1/005; A23L 1/0052; A23L 1/217; A23G 9/48; A23G 3/54; A23V 2002/00
See application file for complete search history.

1,835,719 A * 12/1931 Parr A23G 9/50
426/134
1,850,356 A * 3/1932 Parr A23G 9/48
426/139
D88,951 S 1/1933 Davison
(Continued)

FOREIGN PATENT DOCUMENTS

FR 2976457 12/2012
Primary Examiner — Katie Jane Stofko
(74) *Attorney, Agent, or Firm* — Diederiks & Whitelaw, PLC; John L. Crimmins, Esq.

(57) **CLAIM**

The ornamental design for a molded tortilla pocket, as shown and described.

DESCRIPTION

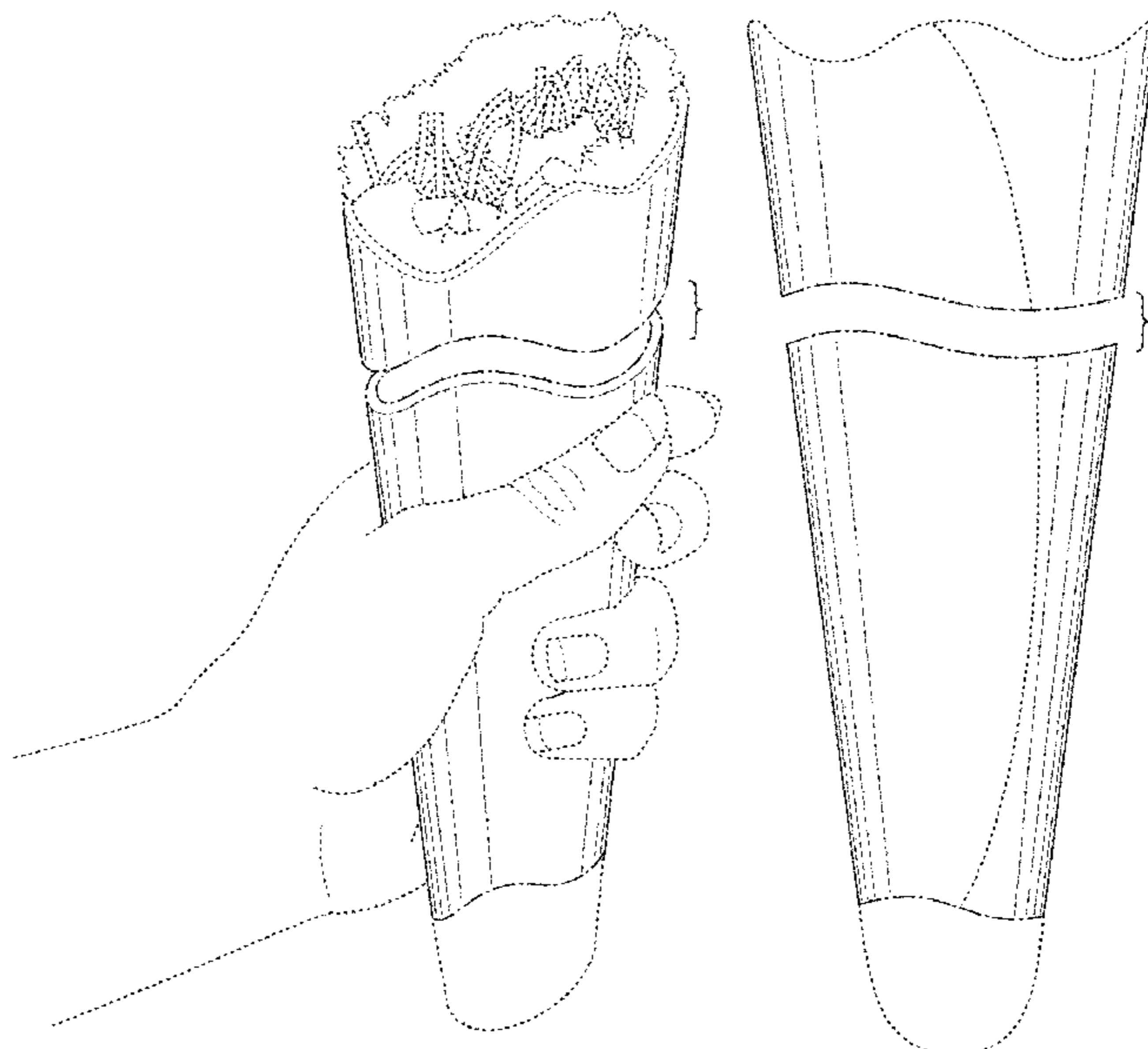
FIG. 1 is an upper perspective view of a molded tortilla pocket according to our new design;
FIG. 2 is a front elevational view of the molded tortilla pocket;
FIG. 3 is a rear elevational view of the molded tortilla pocket;
FIG. 4 is a left side view of the molded tortilla pocket;
FIG. 5 is a right side view of the molded tortilla pocket;
FIG. 6 is a top plan view of the molded tortilla pocket; and,
FIG. 7 is a bottom plan view of the molded tortilla pocket.
The dash-dot-dash symbolic break lines shown in the middle portion of the molded tortilla pocket indicate that the appearance of any portion of the article between the break lines forms no part of the claimed design. The evenly-spaced broken lines illustrating the food and the hand in FIG. 1 illustrates environment that form no part of the claimed design while the remaining evenly-spaced broken lines in the drawings illustrate portions of the molded tortilla pocket that form no part of the claimed design. The dash-dot-dash broken lines shown in FIGS. 1-7 illustrate the boundary of the claimed design which forms no part thereof.

(56) **References Cited**

U.S. PATENT DOCUMENTS

- 1,300,164 A * 4/1919 Guardino B65D 5/2047
229/104
- D62,515 S * 6/1923 Wood D1/116

1 Claim, 4 Drawing Sheets



(56)

References Cited

U.S. PATENT DOCUMENTS

1,951,642	A *	3/1934	Augustin	A01G 9/026 229/110
D213,166	S *	1/1969	Stanley	D1/118
4,313,964	A	2/1982	Dembecki	
D277,234	S *	1/1985	Bank	426/138
D292,940	S	12/1987	Dipietro	
5,336,511	A	8/1994	Der Beek	
D361,298	S *	8/1995	Weder	D11/143
D368,990	S *	4/1996	Thomas	D24/194
5,829,225	A *	11/1998	Weder	A01G 5/04 53/397
D402,915	S *	12/1998	Weder	D11/164
6,182,395	B1 *	2/2001	Weder	B65B 25/02 47/72
6,430,870	B1 *	8/2002	Weder	A01G 5/04 47/72
6,705,046	B2 *	3/2004	Weder	A47G 7/085 206/423
6,807,771	B2 *	10/2004	Weder	B65D 75/008 47/41.01
D514,463	S *	2/2006	Levine	D10/113.2
7,008,655	B1	3/2006	Aslanis	
7,131,626	B2	11/2006	Cole	
D623,826	S	9/2010	Griebel	
D643,587	S	8/2011	Bianchi	
8,349,384	B2	1/2013	Huxel et al.	
D754,416	S *	4/2016	Clements	D1/122
D759,342	S *	6/2016	Clements	D1/122
9,764,503	B2	9/2017	Seto	
D835,360	S *	12/2018	Lown	D30/153
D836,737	S *	12/2018	Breedon, III	D21/753
D844,219	S *	3/2019	Reid	D26/135
2006/0216378	A1	9/2006	Boscolo	
2010/0034930	A1	2/2010	Ko	
2014/0272004	A1	9/2014	Porat	

* cited by examiner

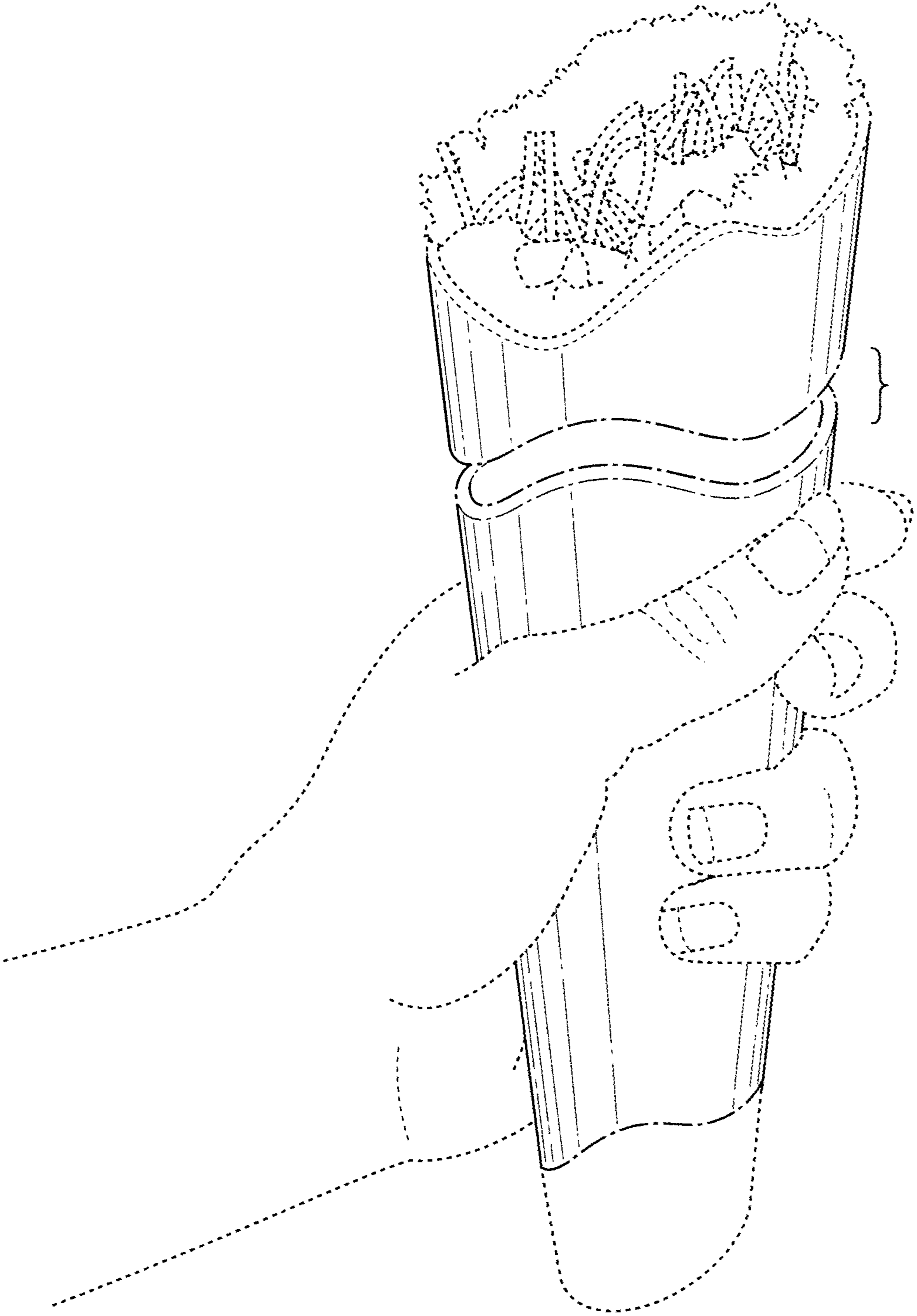


FIG. 1

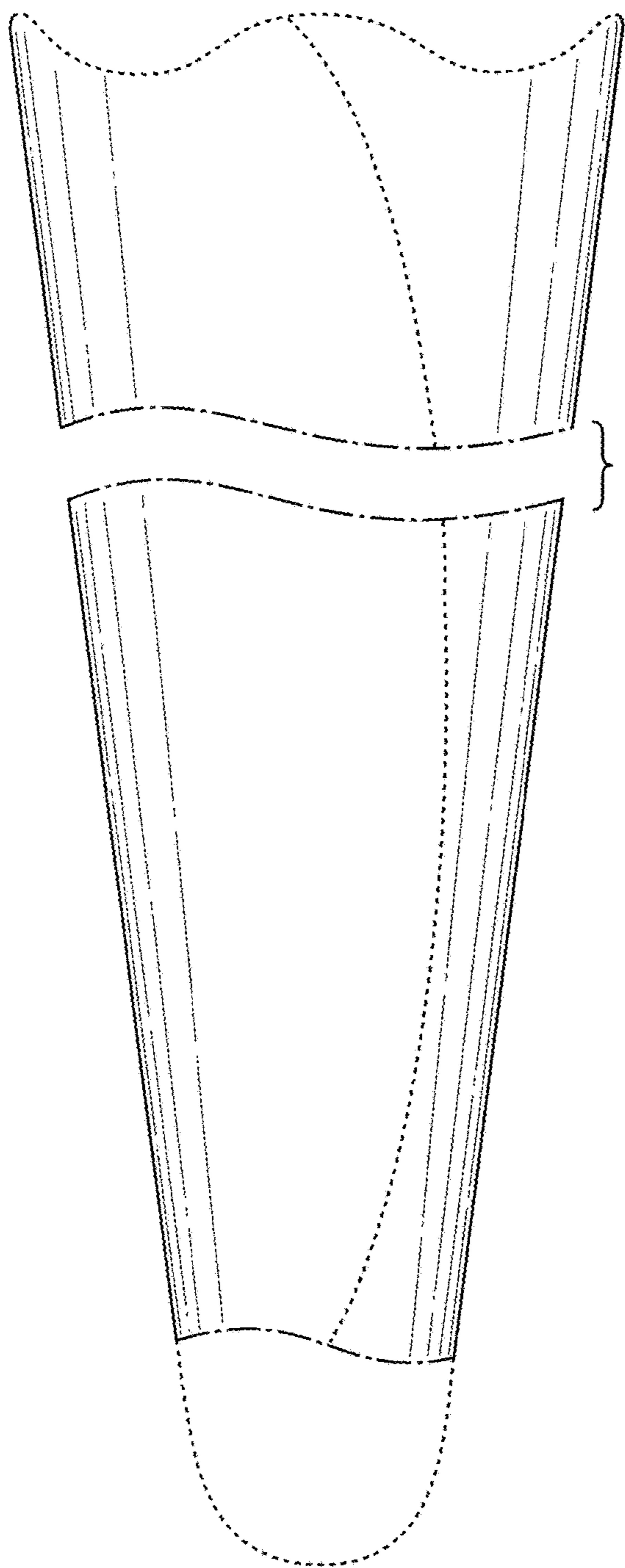


FIG. 2

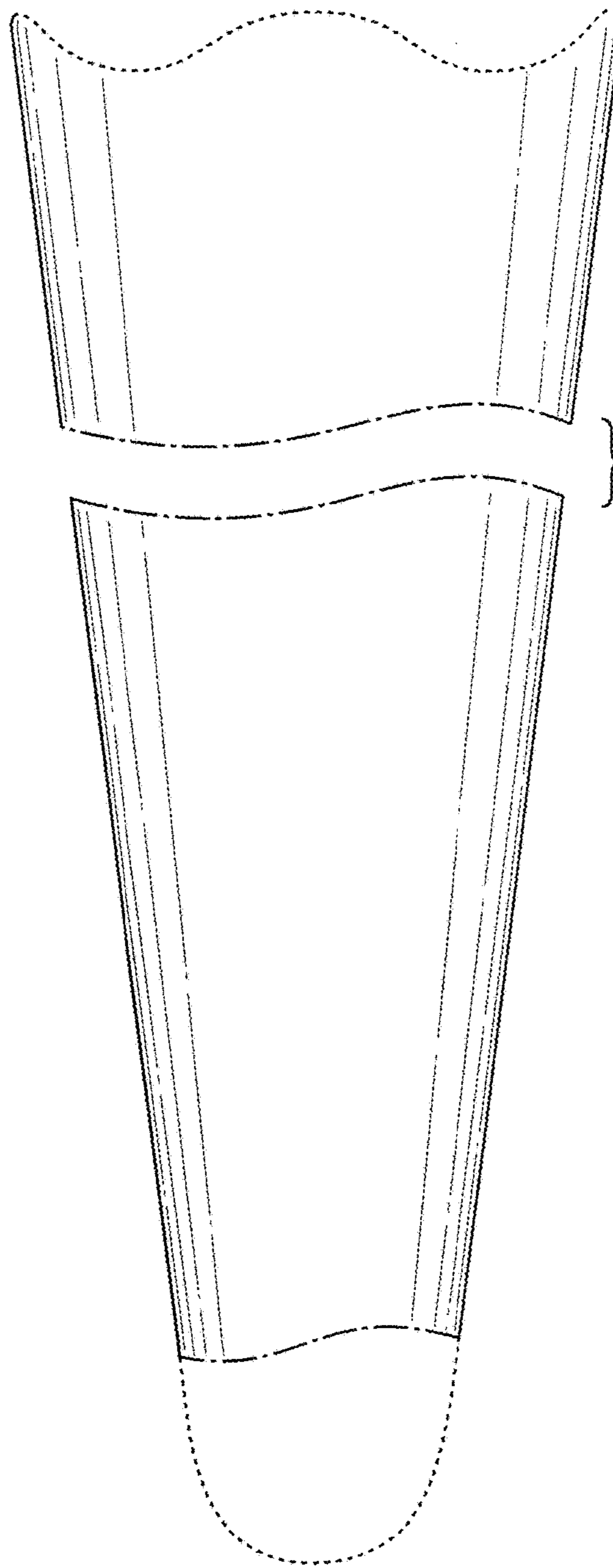


FIG. 3

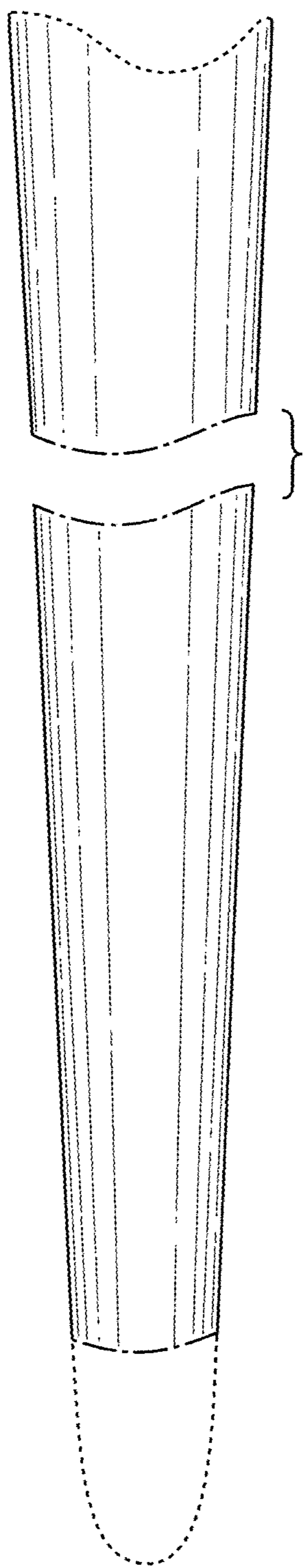


FIG. 4

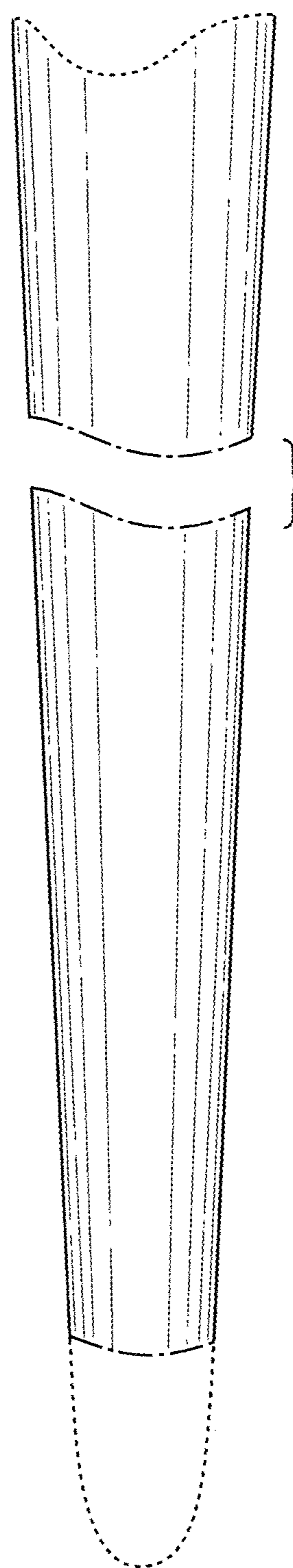


FIG. 5

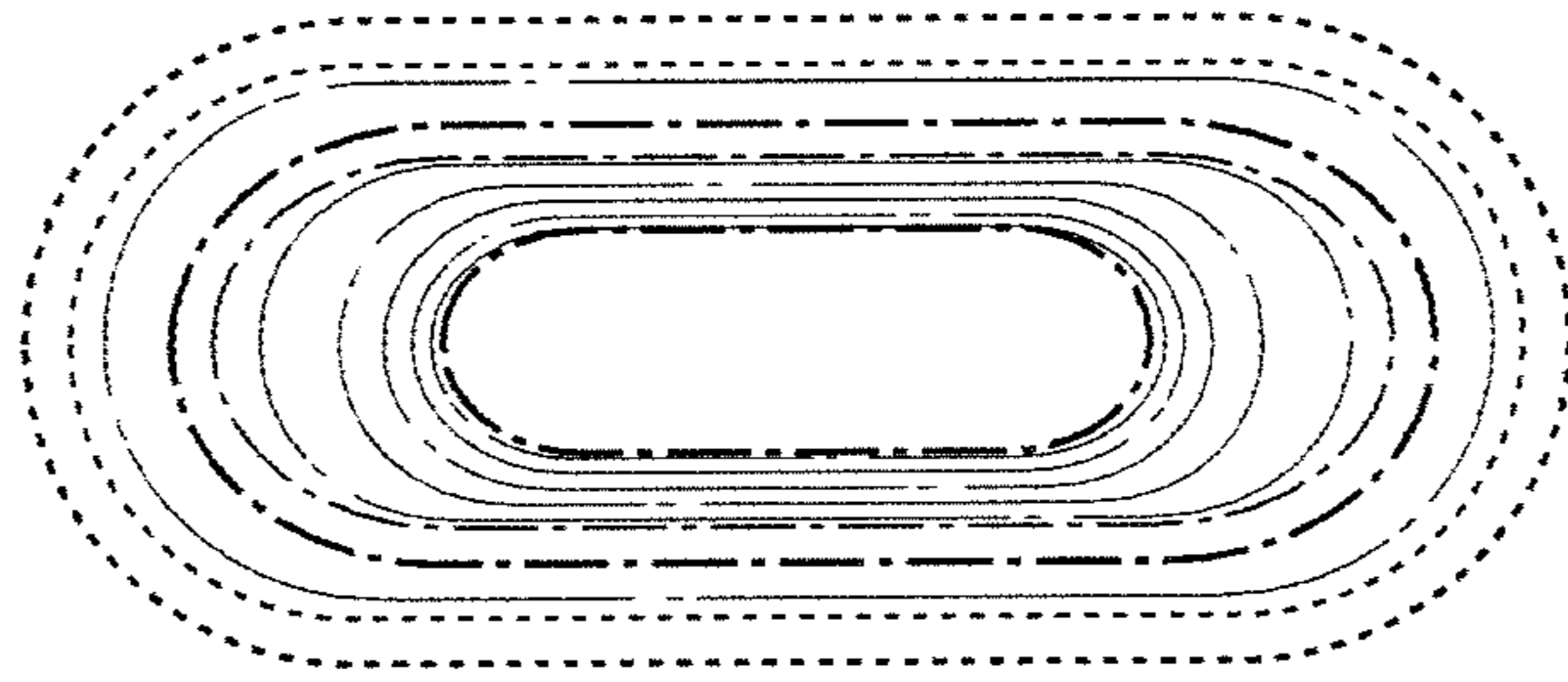


FIG. 6

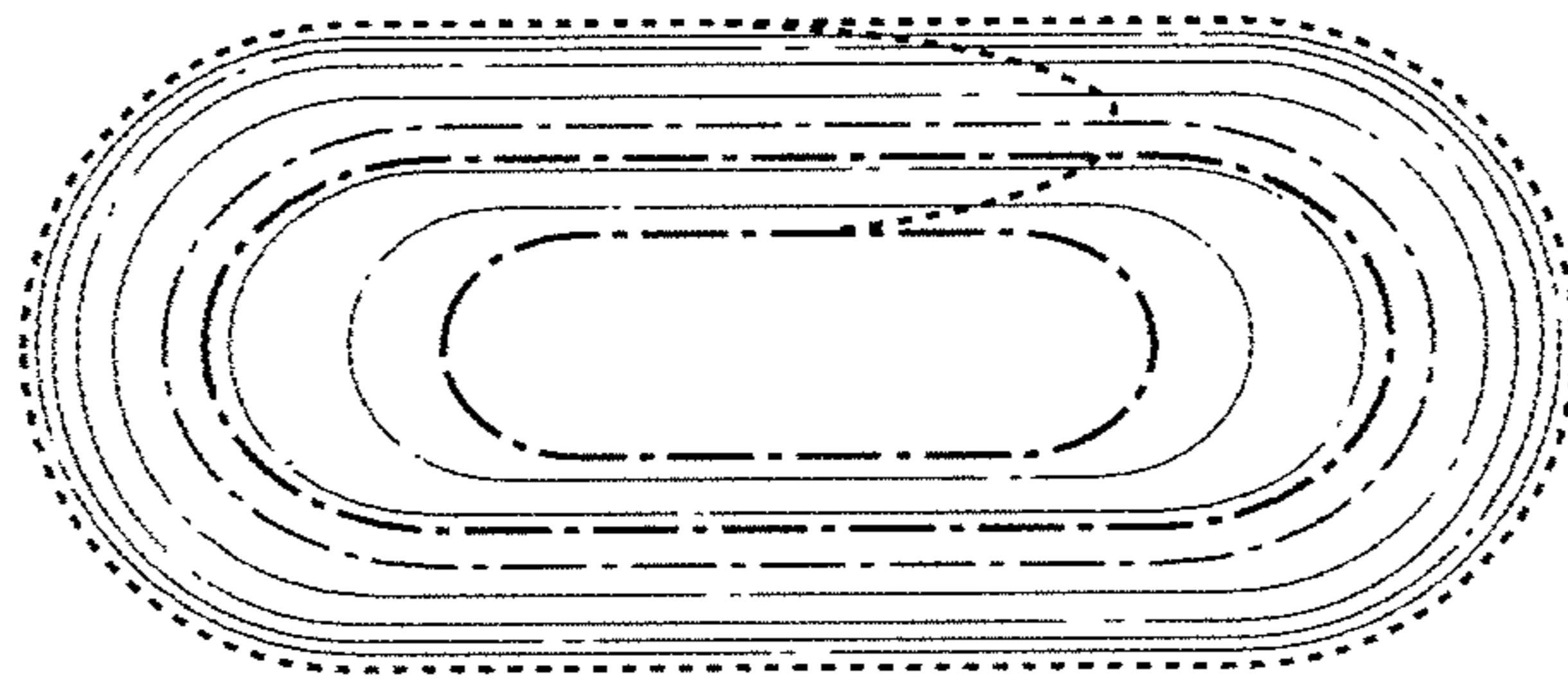


FIG. 7