



US00D872416S

(12) **United States Design Patent**
Cammarota et al.

(10) **Patent No.:** **US D872,416 S**
(45) **Date of Patent:** **** Jan. 14, 2020**

(54) **MOLDED TORTILLA POCKET**

FOREIGN PATENT DOCUMENTS

- (71) Applicant: **General Mills, Inc.**, Minneapolis, MN (US)
- (72) Inventors: **Carina Claudia Cammarota**, Navarra (ES); **John J Fenske**, Shoreview, MN (US); **Zac Harder**, Crystal, MN (US); **Chad M Kubat**, Woodbury, MN (US); **Ralph A Stenvik**, Plymouth, MN (US)
- (73) Assignee: **General Mills, Inc.**, Minneapolis, MN (US)

FR 2976457 12/2012
Primary Examiner — Katie Jane Stofko
 (74) *Attorney, Agent, or Firm* — Diederiks & Whitelaw, PLC; John L. Crimmins, Esq.

(**) Term: **15 Years**

(21) Appl. No.: **29/656,871**

(22) Filed: **Jul. 17, 2018**

(51) **LOC (12) Cl.** **01-01**

(52) **U.S. Cl.**
USPC **D1/122**

(58) **Field of Classification Search**
 USPC D1/100–130, 199; 426/94, 104, 138, 426/143, 144, 274, 283, 303, 391, 512, 426/514, 518, 549; D6/597, 601; D7/675, 560, 566, 568, 601, 700; D24/122; D28/8.1, 8.2; D21/385, 386, D21/707; D11/164; 47/72
 CPC A23L 1/0067; A23L 1/005; A23L 1/0052; A23L 1/217; A23G 9/48; A23G 3/54; A23V 2002/00

See application file for complete search history.

(56) **References Cited**

U.S. PATENT DOCUMENTS

- 1,300,164 A * 4/1919 Guardino B65D 5/2047 229/104
- D62,515 S * 6/1923 Wood D1/116
- 1,835,719 A * 12/1931 Parr A23G 9/50 426/134
- 1,850,356 A * 3/1932 Parr A23G 9/48 426/139

(Continued)

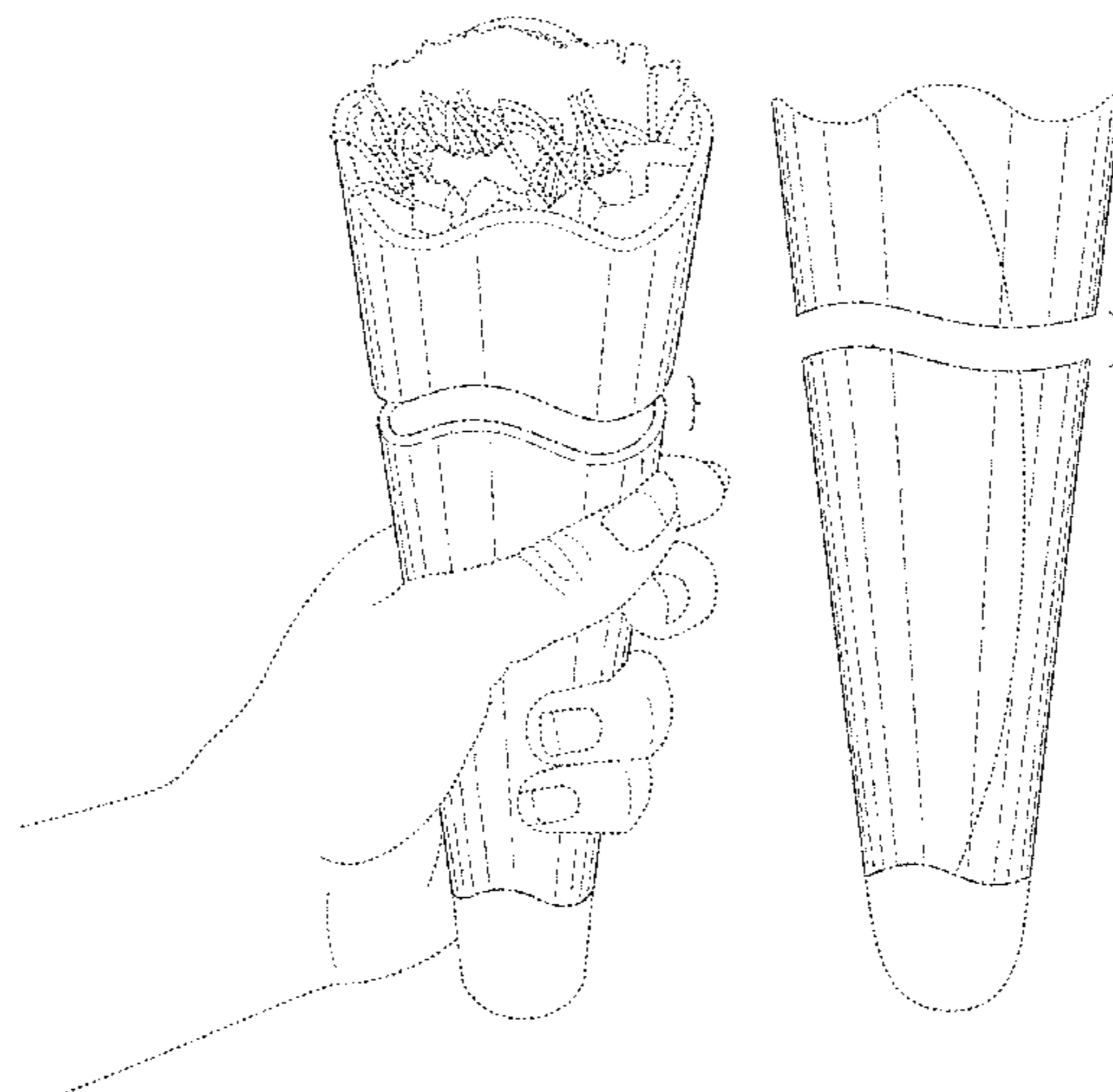
(57) **CLAIM**

The ornamental design for a molded tortilla pocket, as shown and described.

DESCRIPTION

FIG. 1 is an upper perspective view of a molded tortilla pocket having a closed bottom pocket according to our new design;
 FIG. 2 is a front elevational view of the molded tortilla pocket;
 FIG. 3 is a rear elevational view of the molded tortilla pocket;
 FIG. 4 is a left side view of the molded tortilla pocket;
 FIG. 5 is a right side view of the molded tortilla pocket;
 FIG. 6 is a top plan view of the molded tortilla pocket; and,
 FIG. 7 is a bottom plan view of the molded tortilla pocket.
 The dash-dot-dash symbolic break lines shown in the middle portion of the molded tortilla pocket indicate that the appearance of any portion of the article between the break lines forms no part of the claimed design. The evenly-spaced broken lines illustrating the food and the hand in FIG. 1 illustrates environment that form no part of the claimed design while the remaining evenly-spaced broken lines in the drawings illustrate portions of the molded tortilla pocket that form no part of the claimed design. The dash-dot-dash broken lines shown in FIGS. 1-7 illustrate the boundary of the claimed design which forms no part thereof.

1 Claim, 4 Drawing Sheets



(56)

References Cited

U.S. PATENT DOCUMENTS

D88,951 S 1/1933 Davison
 1,951,642 A * 3/1934 Augustin A01G 9/026
 229/110
 D213,166 S * 1/1969 Stanley D1/118
 4,313,964 A 2/1982 Dembecki
 D277,234 S * 1/1985 Bank 426/138
 D292,940 S 12/1987 Dipietro
 5,336,511 A 8/1994 Der Beek
 D361,298 S * 8/1995 Weder D11/143
 D368,990 S * 4/1996 Thomas D24/194
 5,829,225 A * 11/1998 Weder A01G 5/04
 53/397
 D402,915 S * 12/1998 Weder D11/164
 6,182,395 B1 * 2/2001 Weder B65B 25/02
 47/72
 6,430,870 B1 * 8/2002 Weder A01G 5/04
 47/72

6,705,046 B2 * 3/2004 Weder A47G 7/085
 206/423
 6,807,771 B2 * 10/2004 Weder B65D 75/008
 47/41.01
 D514,463 S * 2/2006 Levine D10/113.2
 7,008,655 B1 3/2006 Aslanis
 7,131,626 B2 11/2006 Cole
 D623,826 S 9/2010 Griebel
 D643,587 S 8/2011 Bianchi
 8,349,384 B2 1/2013 Huxel et al.
 D754,416 S * 4/2016 Clements D1/122
 D759,342 S * 6/2016 Clements D1/122
 9,764,503 B2 9/2017 Seto
 D835,360 S * 12/2018 Lown D30/153
 D836,737 S * 12/2018 Breeden, III D21/753
 D844,219 S * 3/2019 Reid D26/135
 2006/0216378 A1 9/2006 Boscolo
 2010/0034930 A1 2/2010 Ko
 2014/0272004 A1 9/2014 Porat

* cited by examiner

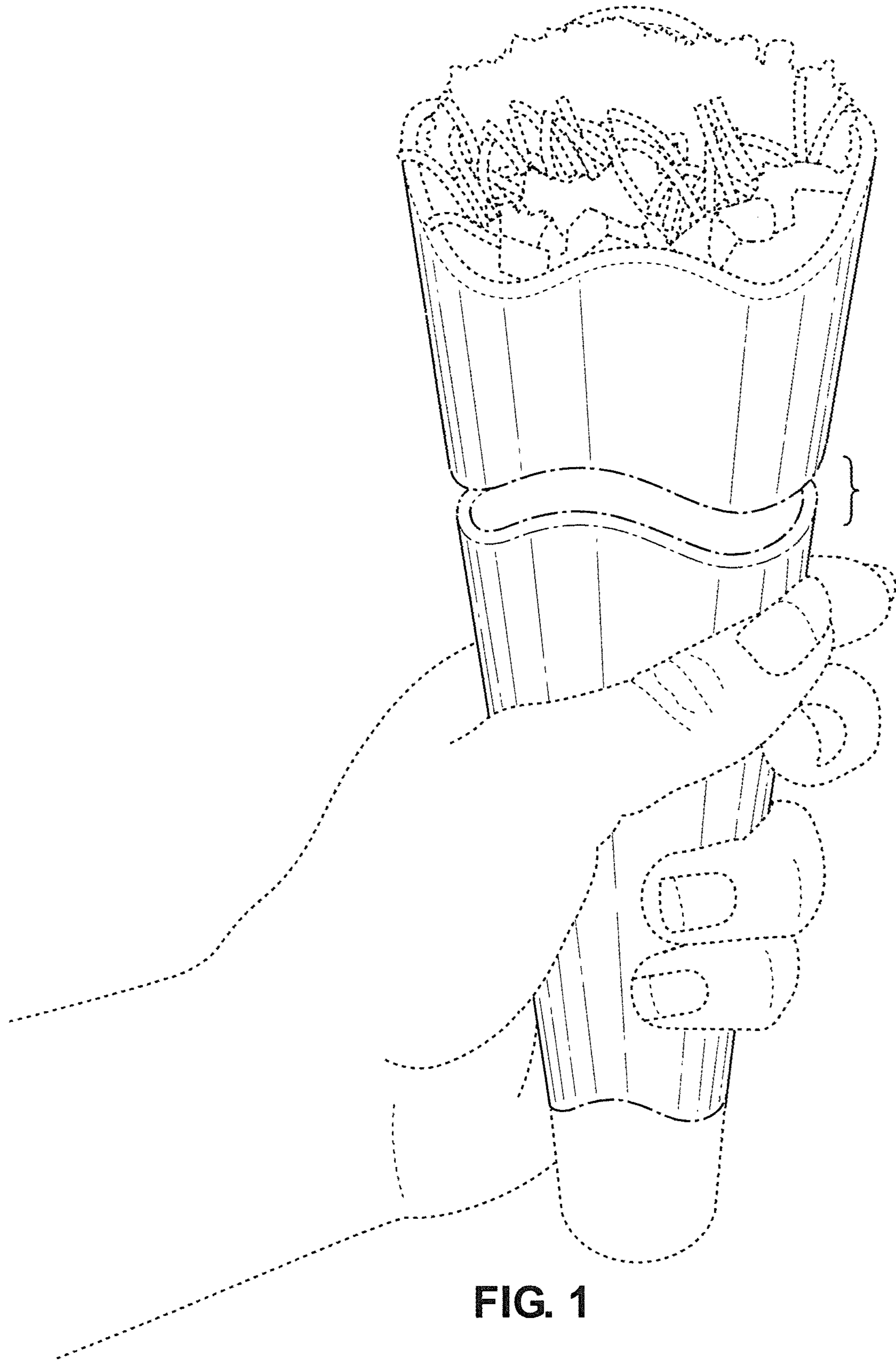


FIG. 1

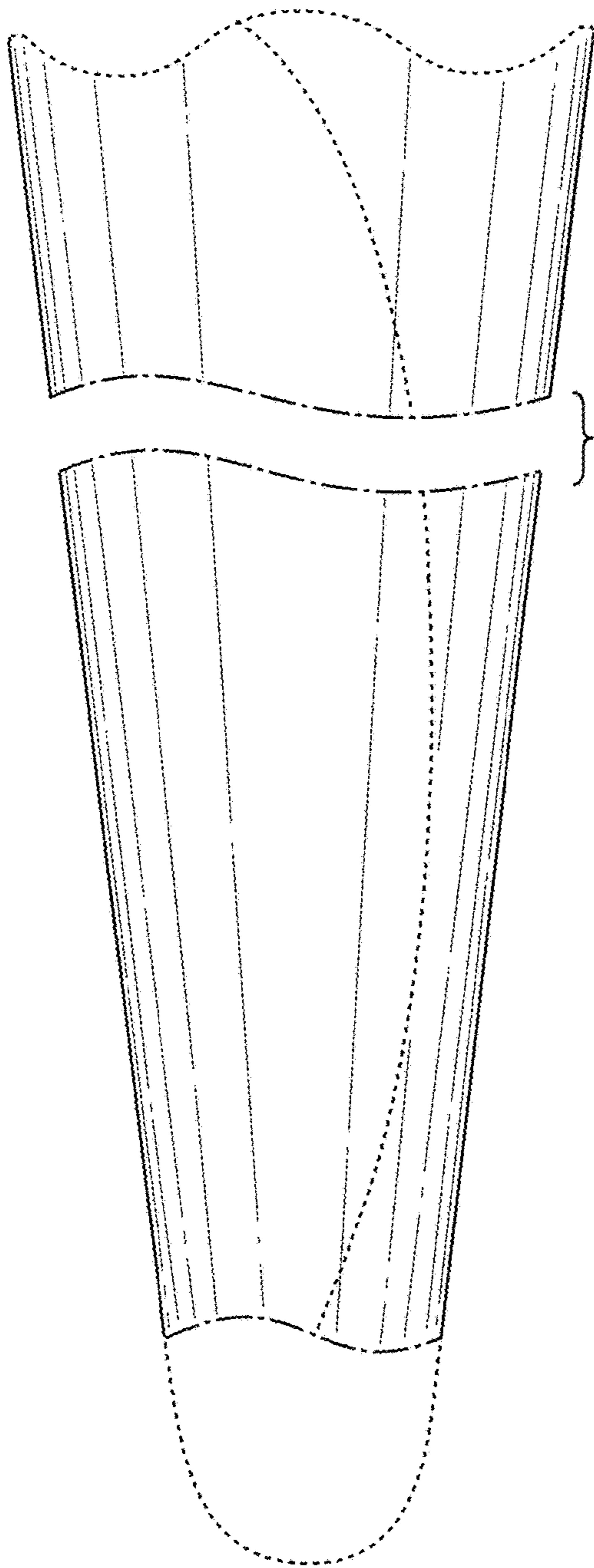


FIG. 2

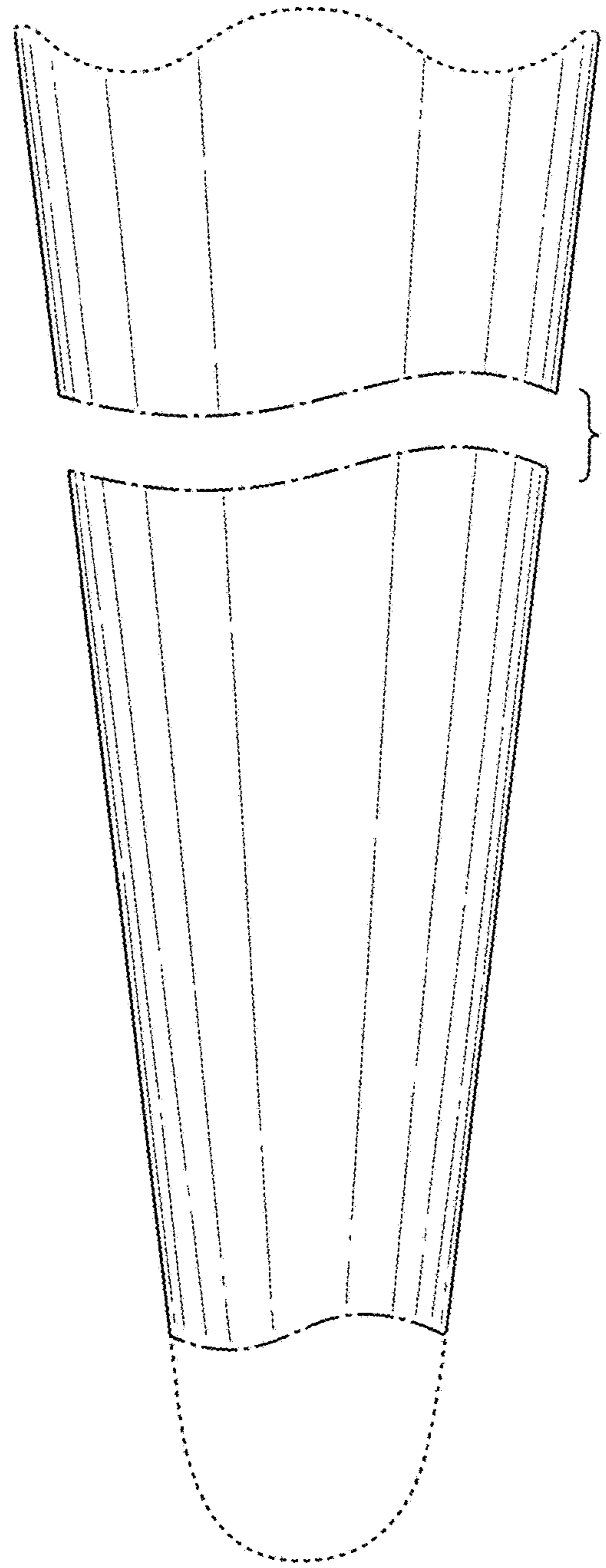


FIG. 3

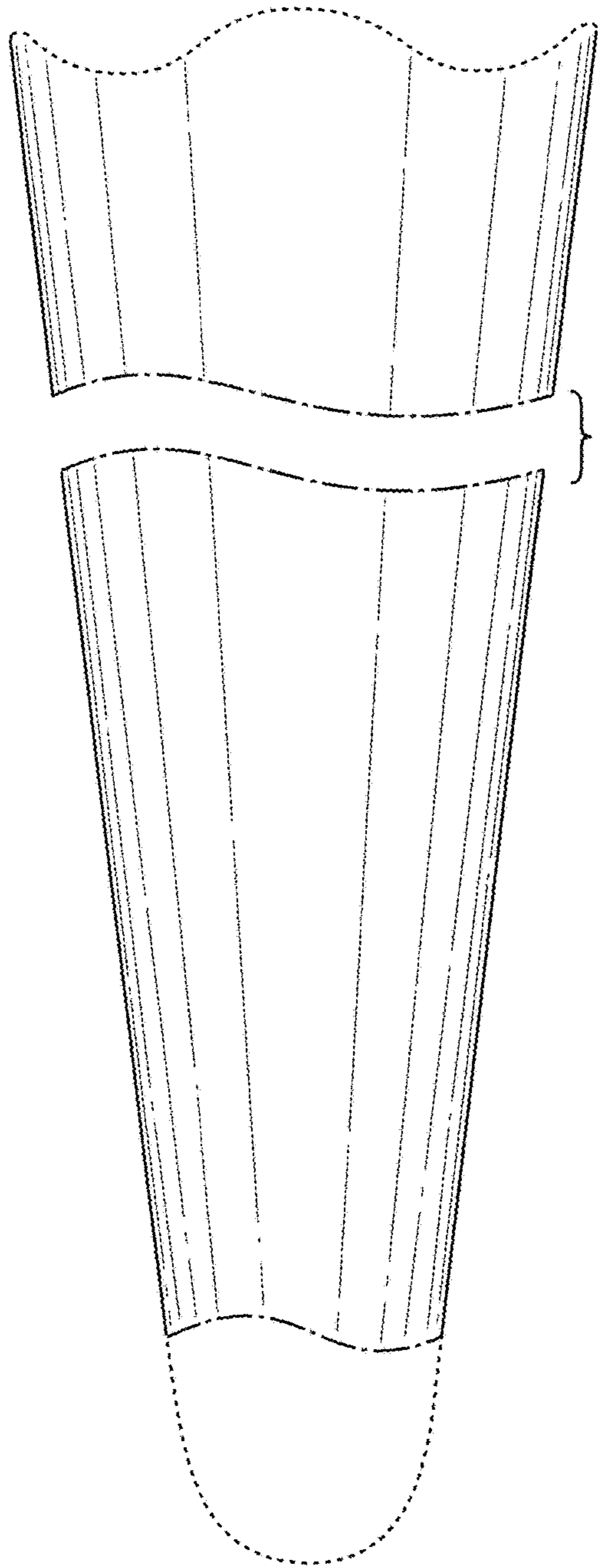


FIG. 4

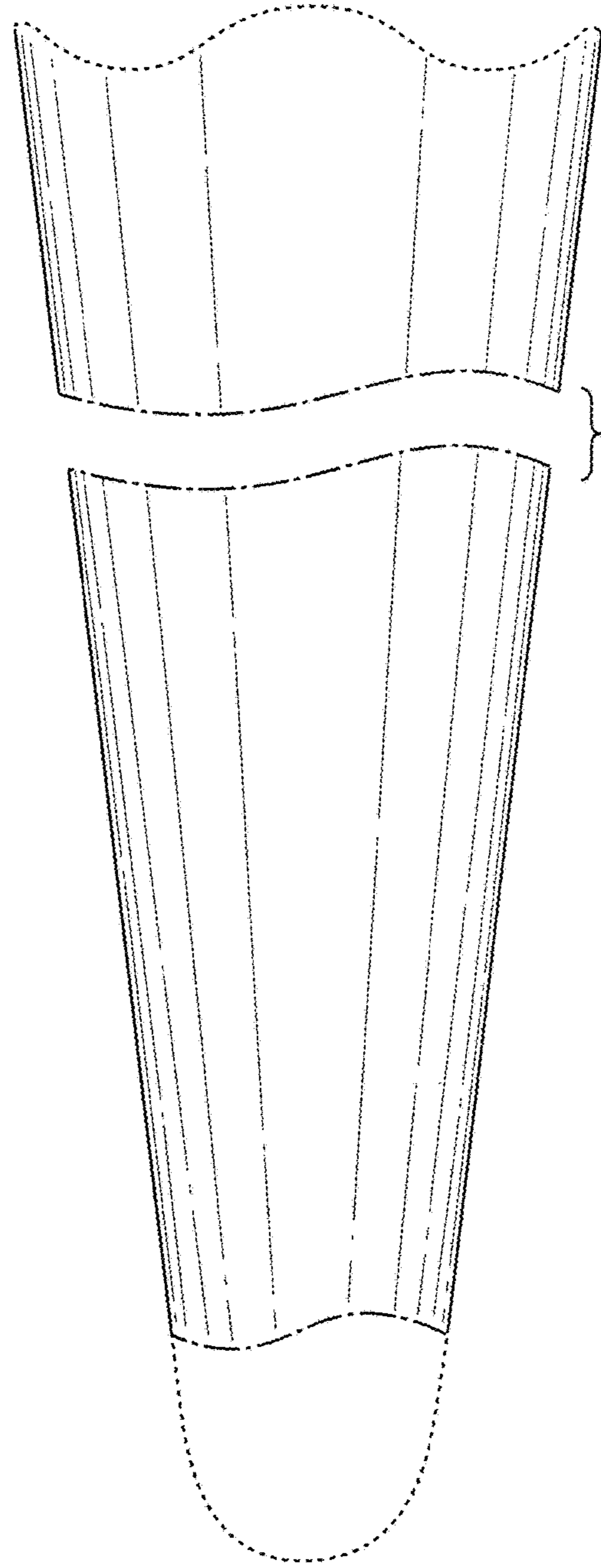


FIG. 5

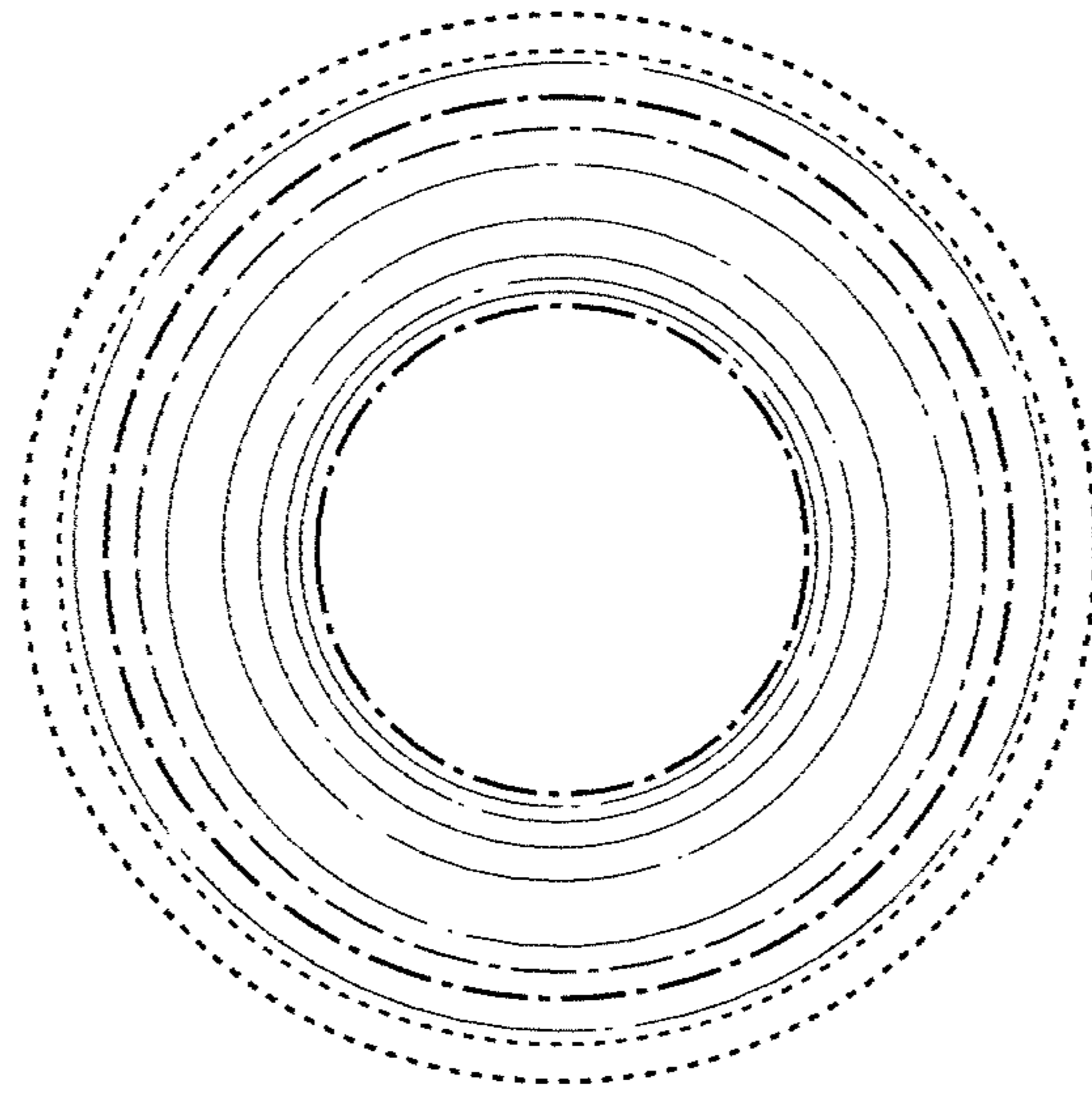


FIG. 6

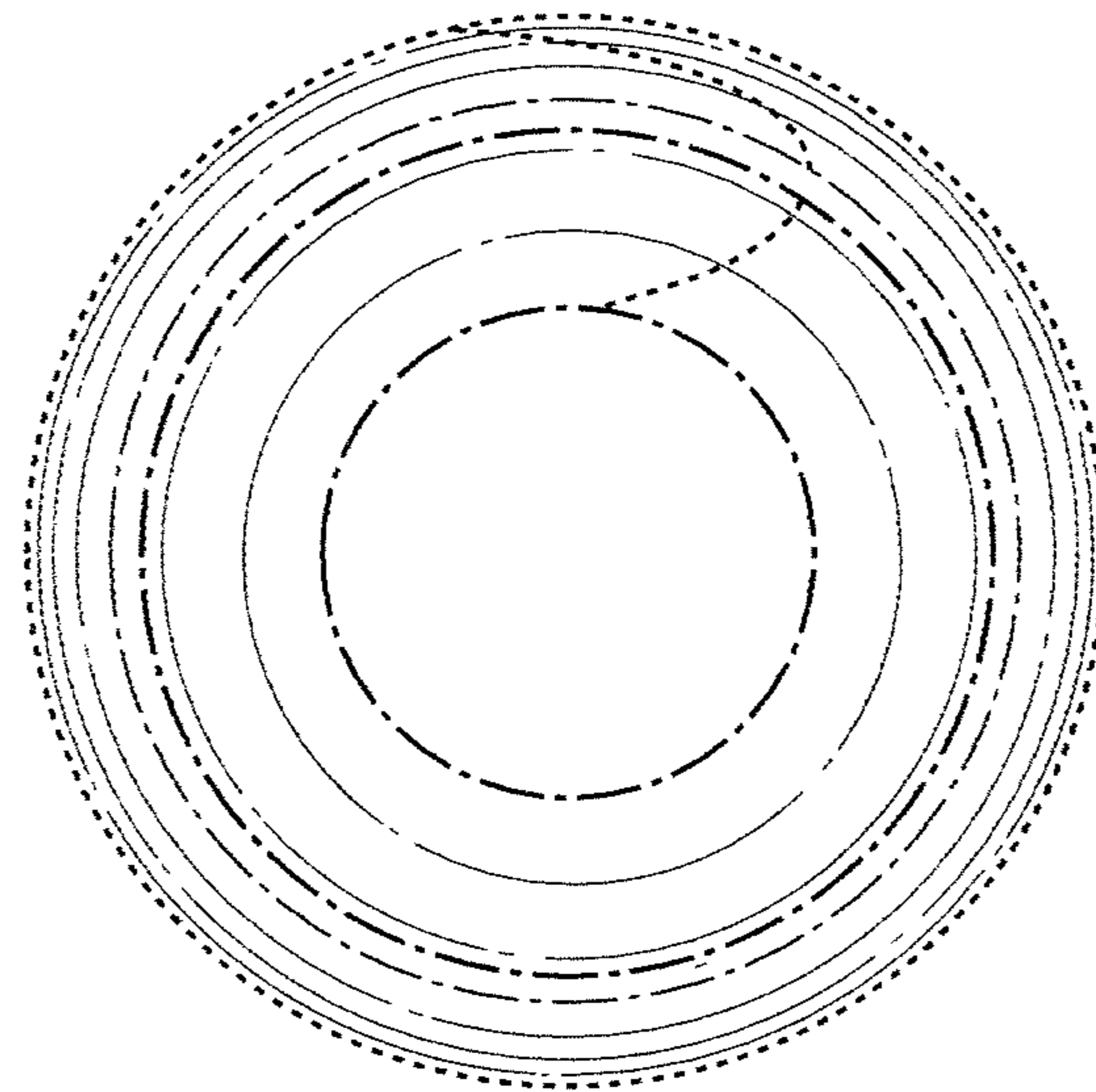


FIG. 7