



US00D872415S

(12) **United States Design Patent**
Leheurteux

(10) **Patent No.:** **US D872,415 S**
(45) **Date of Patent:** **** Jan. 7, 2020**

- (54) **EXPANDABLE BODY BAG**
- (71) Applicant: **SOLUTIONS VETCETERRA**,
Ormstown (CA)
- (72) Inventor: **Celine Leheurteux**, Hemmingford (CA)
- (73) Assignee: **SOLUTIONS VETCETERRA**,
Ormstown, Quebec (CA)
- (**) Term: **15 Years**
- (21) Appl. No.: **29/580,714**
- (22) Filed: **Oct. 12, 2016**
- (51) **LOC (12) Cl.** **24-01**
- (52) **U.S. Cl.**
USPC **D99/99**
- (58) **Field of Classification Search**
USPC D99/99; D9/499, 702–703, 707;
D3/203.7, 215; D24/231
(Continued)

- (56) **References Cited**
U.S. PATENT DOCUMENTS
998,319 A * 7/1911 Ames B65D 31/04
383/113
2,502,481 A * 4/1950 Roper B65D 33/04
383/106
(Continued)

- FOREIGN PATENT DOCUMENTS**
JP D1307385 * 8/2007
JP D1313610 * 10/2007

- OTHER PUBLICATIONS**
Disaster 22 Mil Body Bags—Medical Stretchers—Ambulance Stretchers—Mobi Medical, no date, [https://medical-stretchers.com/body-bags/79-standard-6-mil-body-bag.html?gclid=CjwKC . . .](https://medical-stretchers.com/body-bags/79-standard-6-mil-body-bag.html?gclid=CjwKC...) site visited Jul. 20, 2018 (Year: 2018).*
- (Continued)

Primary Examiner — Eric L Goodman
Assistant Examiner — John R Yeh
 (74) *Attorney, Agent, or Firm* — Jacquelyn D. Knapp;
 Williams Mullen

(57) **CLAIM**

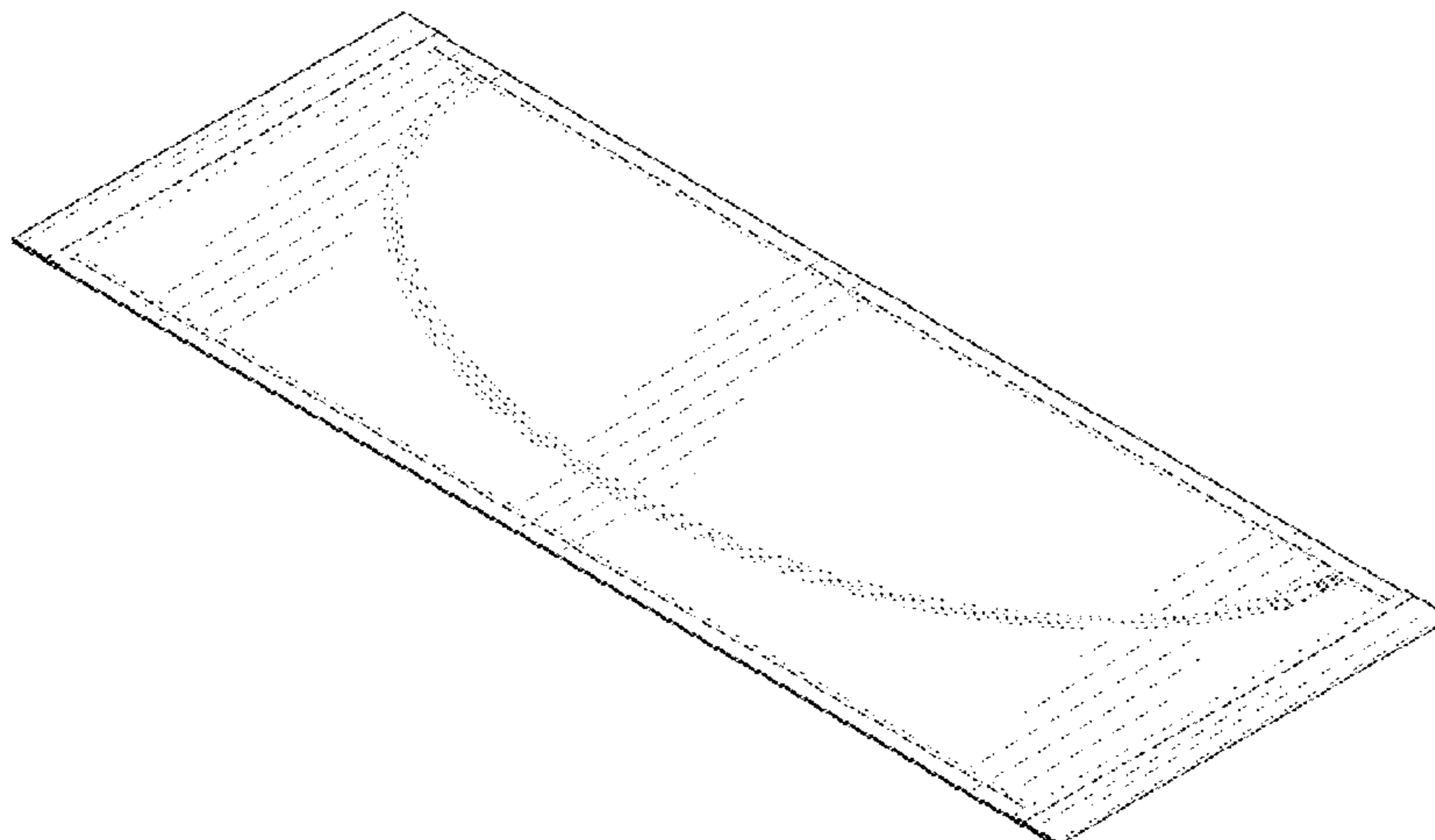
I claim the ornamental design for an expandable body bag, as shown and described.

DESCRIPTION

FIG. 1 is a top perspective view of the article, the article being shown in a flattened and in a closed configuration; FIG. 2 is a top view thereof; FIG. 3 is a bottom view thereof; FIG. 4 is a front elevational view thereof; FIG. 5 is a rear elevational view thereof; FIG. 6 is a right-side elevational view thereof; FIG. 7 is a left-side elevational view thereof; FIG. 8 is another top perspective view thereof, the article being now shown in a partially-opened configuration; FIG. 9 is another top perspective view thereof, the article being now shown in an expanded and in a closed configuration; FIG. 10 is a top perspective view of another variant of the article, the article being shown in a flattened and in a closed configuration; FIG. 11 is a top view thereof; FIG. 12 is a bottom view thereof; FIG. 13 is a front elevational view thereof; FIG. 14 is a rear elevational view thereof; FIG. 15 is a right-side elevational view thereof; FIG. 16 is a left-side elevational view thereof; FIG. 17 is another top perspective view thereof, the article being now shown in a partially-opened configuration; and, FIG. 18 is another top perspective view thereof, the article being now shown in an expanded and in a closed configuration.

The broken lines illustrating the zipper assembly and the interior rectangle shown as a dotted line in FIGS. 1, 2, 8 and 9, illustrate portions of the expandable body bag, that form

(Continued)



no part of the claimed design. The dashed lines in the drawings show stitching that is part of the claimed design.

1 Claim, 14 Drawing Sheets

(58) Field of Classification Search

CPC A61G 17/06; A61G 1/00; A61G 17/04;
A61G 17/00; B65D 33/25

See application file for complete search history.

(56) References Cited

U.S. PATENT DOCUMENTS

3,173,602	A *	3/1965	Clipner	B65D 31/12 383/37
3,738,568	A *	6/1973	Ruda	B65D 33/28 383/203
3,813,712	A *	6/1974	Bonnin	A47C 23/14 5/110
D234,417	S *	3/1975	Bair	D9/703
3,986,505	A *	10/1976	Power	A61F 17/00 128/846
4,620,320	A *	10/1986	Sullivan	B65D 33/25 383/203
D333,610	S *	3/1993	Oshry	D6/626
D360,577	S *	7/1995	van Loo	D9/707
5,568,663	A *	10/1996	Brown	A61G 1/00 5/413 AM
5,715,583	A *	2/1998	Sandoval	A01N 1/00 27/11
D409,817	S *	5/1999	Engerfalk	D99/1
D417,143	S *	11/1999	Irvine	D9/703
6,004,034	A *	12/1999	Salam	A61G 17/06 27/28
6,079,878	A *	6/2000	Yeager	B65D 33/2533 383/203

D493,106	S *	7/2004	Bonzagni	D9/707
D534,811	S *	1/2007	Yashima	D9/702
D535,192	S *	1/2007	Yashima	D9/702
7,155,854	B2 *	1/2007	Dickinson	B32B 7/06 40/775
D546,705	S *	7/2007	Suzuki	D9/415
7,337,511	B2 *	3/2008	Yu	A62B 31/00 27/28
7,496,995	B2 *	3/2009	Rosario	A01N 1/00 220/89.1
D617,654	S *	6/2010	Tawinsook	D9/702
D617,656	S *	6/2010	Fiero	D9/702
8,146,217	B2 *	4/2012	Jensen	A61G 17/06 27/28
8,869,360	B1 *	10/2014	Smith	A61G 17/007 224/934
8,944,684	B2 *	2/2015	Bell	B65D 31/10 383/10
8,955,205	B2 *	2/2015	Beliveau	A61G 17/0076 16/424
8,966,726	B2 *	3/2015	Chua	A61G 17/06 27/28
8,991,019	B1 *	3/2015	Calvert	A01N 1/00 27/28
D744,851	S *	12/2015	Monforton	D9/702
9,486,380	B2 *	11/2016	Jensen	A61G 17/06
9,586,724	B2 *	3/2017	Moehlenbrock	B65D 31/10
D790,360	S *	6/2017	Down	D9/702
9,849,055	B2 *	12/2017	Vertsteylen	A61G 17/047
D859,687	S *	9/2019	Voller	D24/231

OTHER PUBLICATIONS

Amazon.com: Disaster Bag/Body Bag, review date Sep. 10, 2013,
<https://www.amazon.com/Disaster-Bag-Body/dp/B0012C9UGK#customerReviews>, site visited Jul. 20, 2018 (Year: 2013).*

* cited by examiner

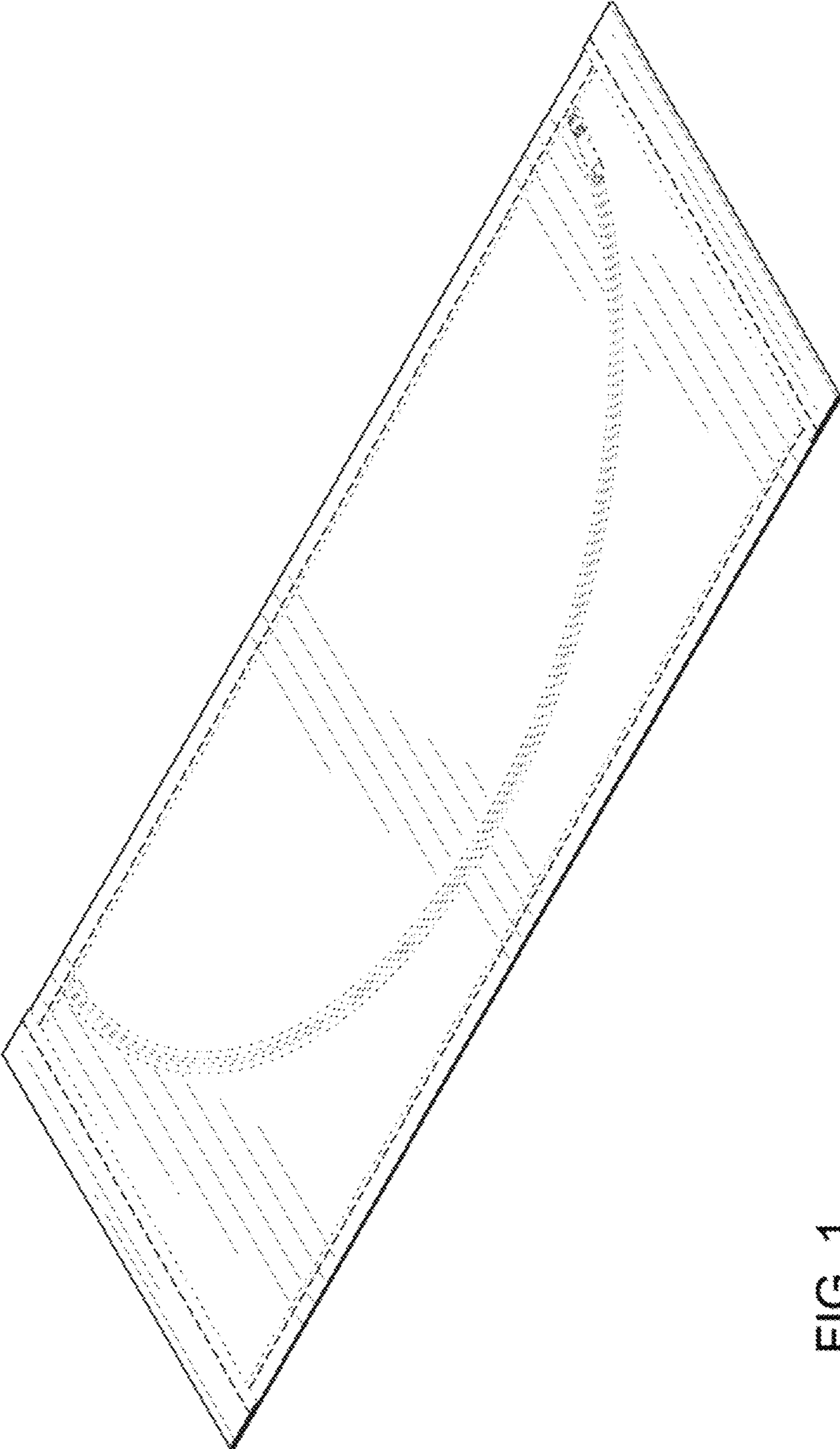


FIG. 1

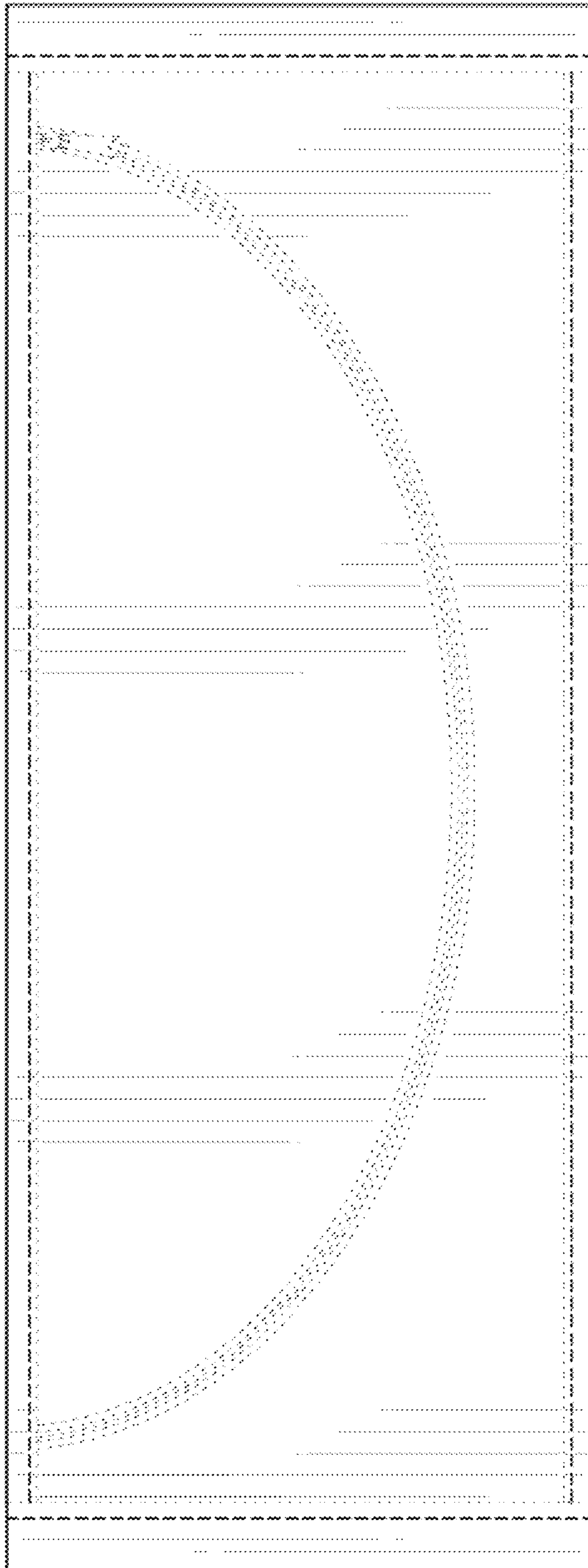


FIG. 2

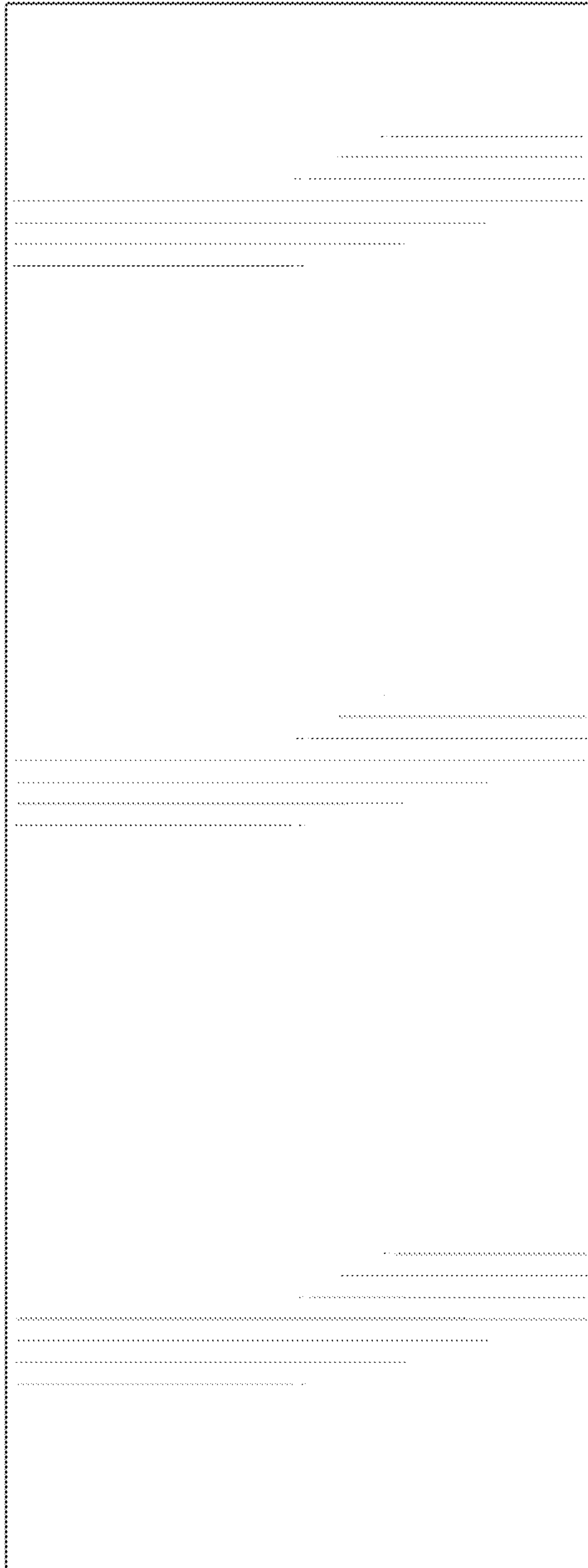


FIG. 3



FIG. 4



FIG. 5



FIG. 6



FIG. 7

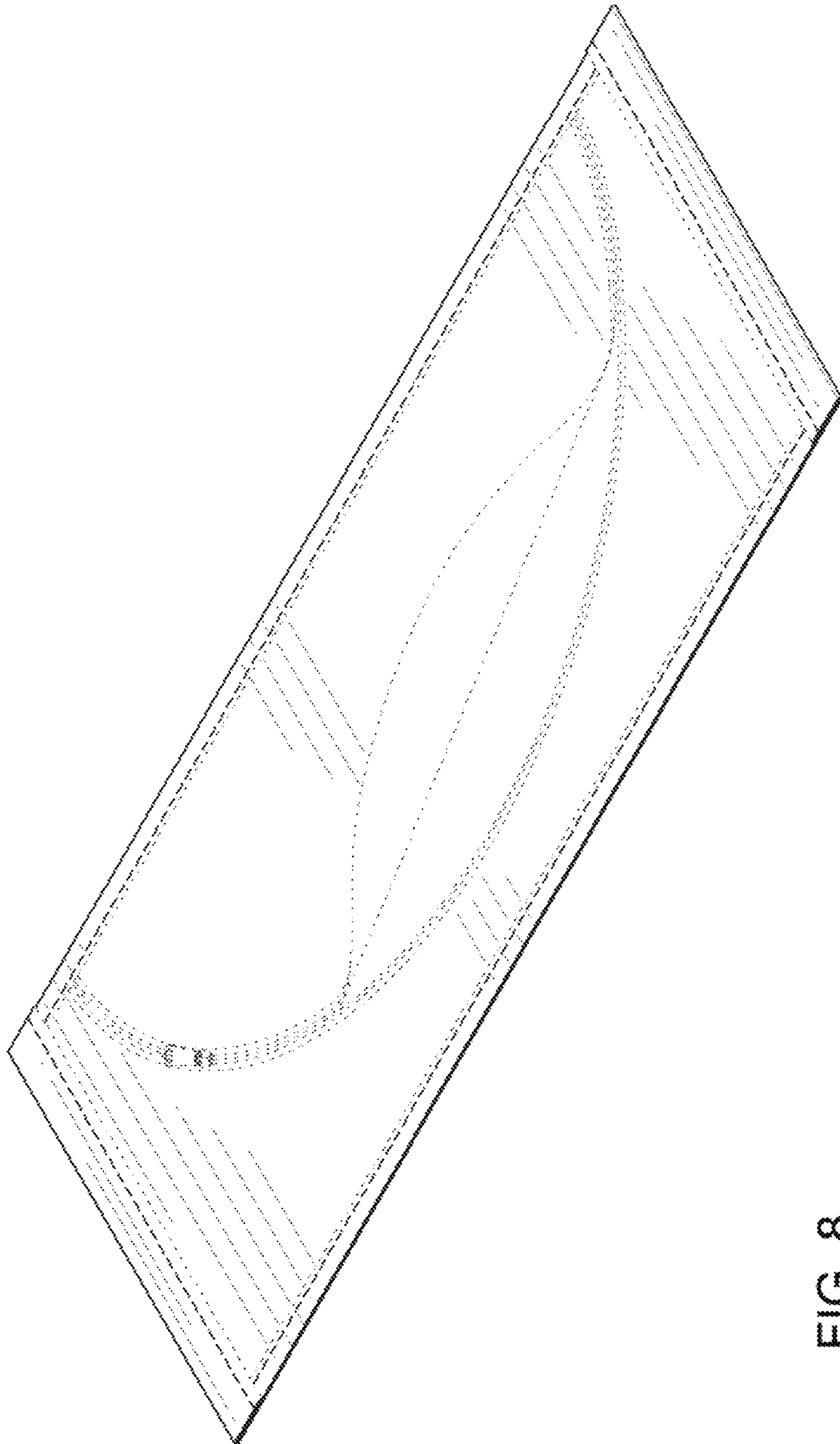


FIG. 8

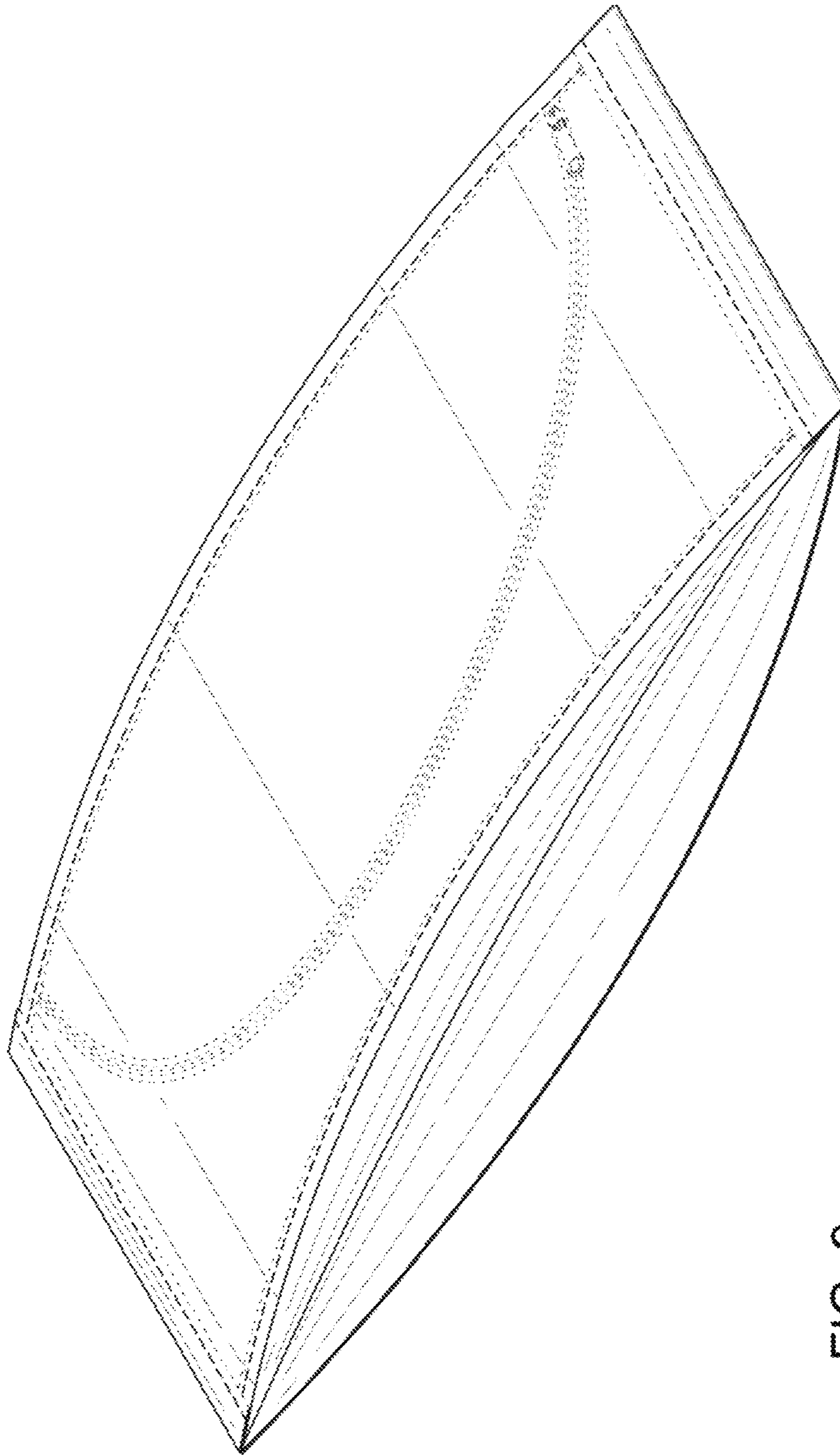


FIG. 9

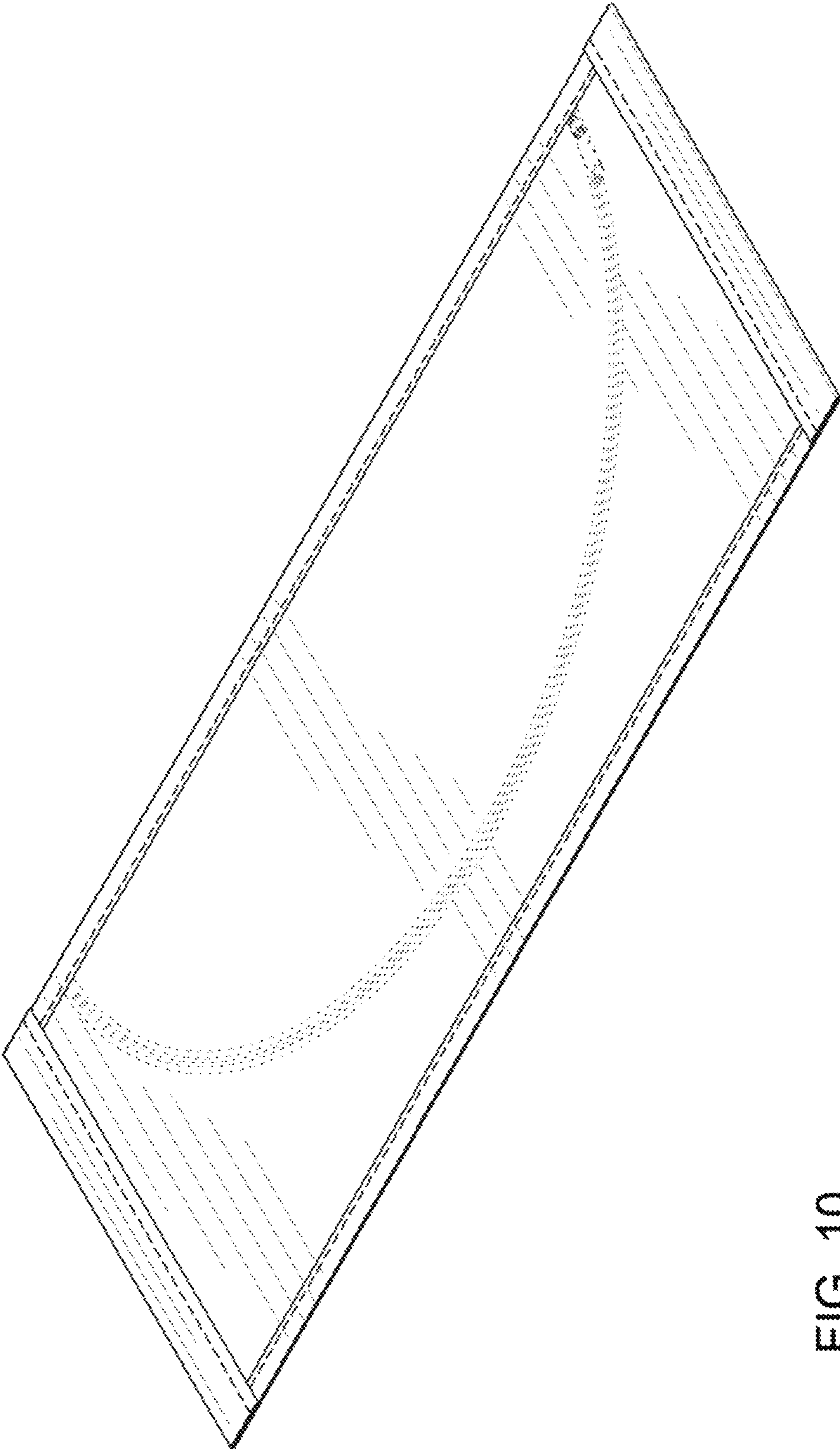


FIG. 10

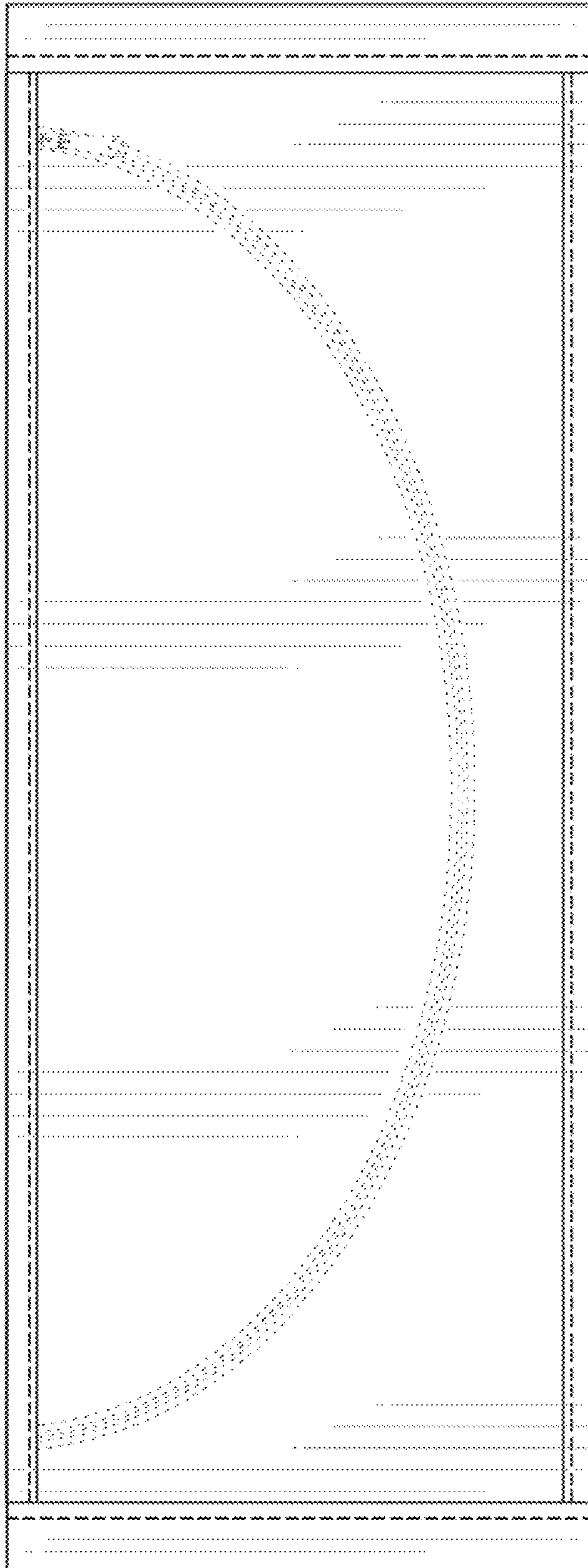


FIG. 11

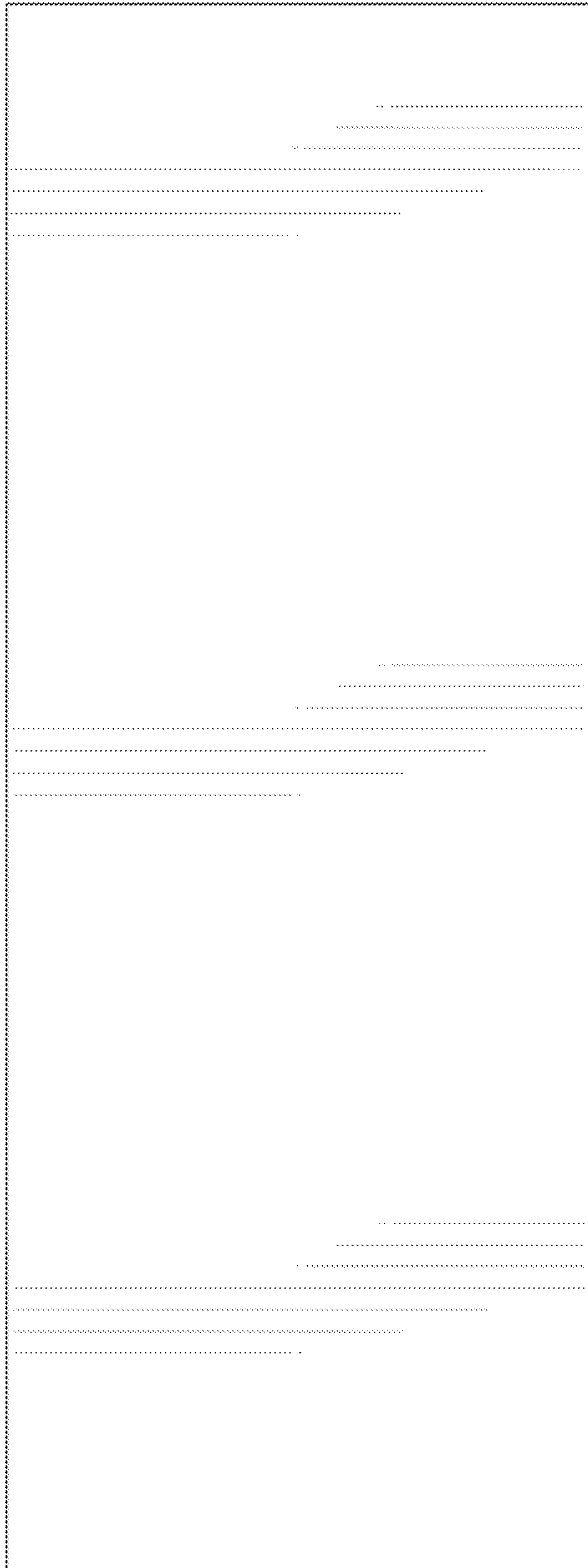


FIG. 12



FIG. 13



FIG. 14



FIG. 15



FIG. 16

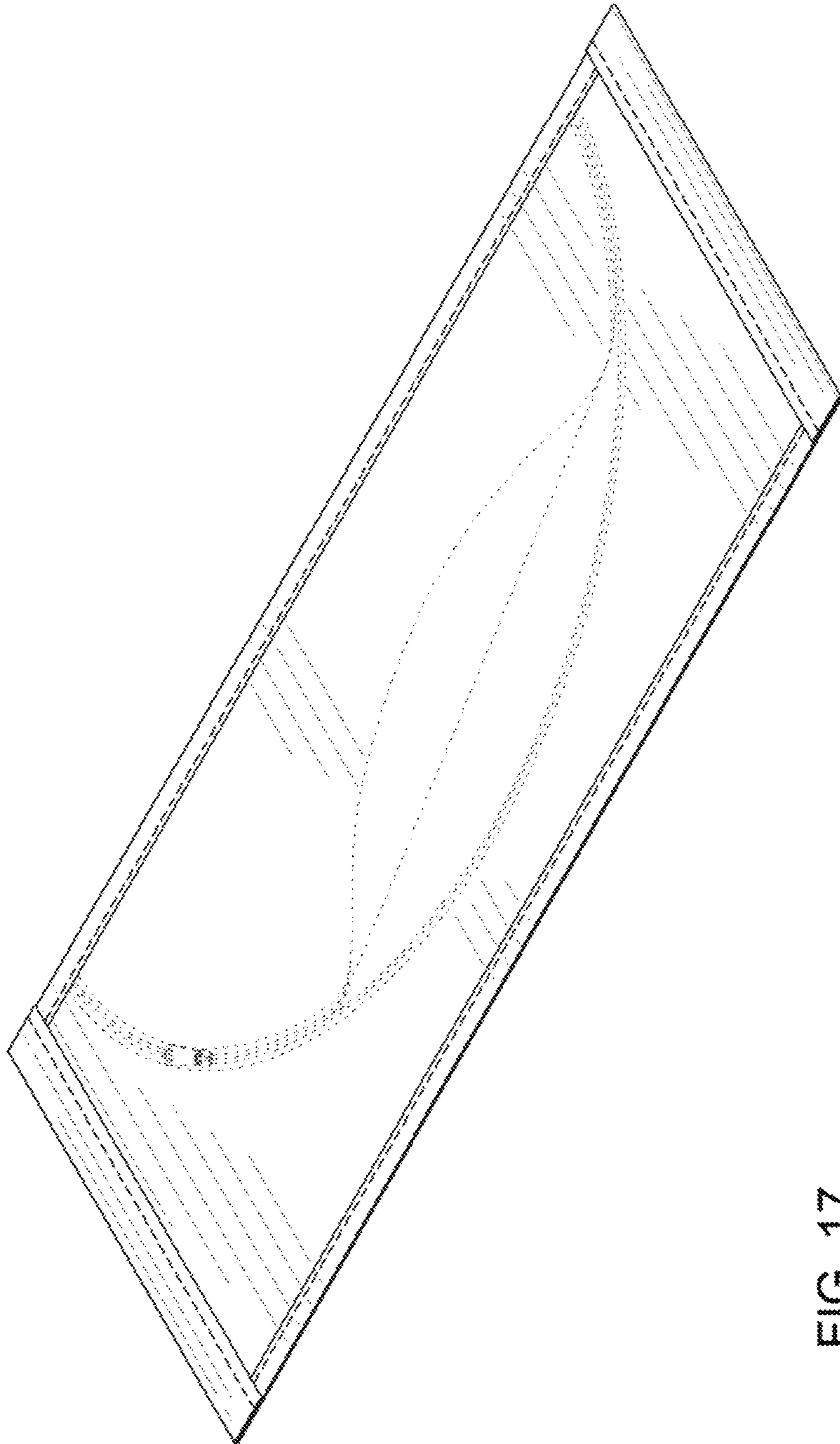


FIG. 17

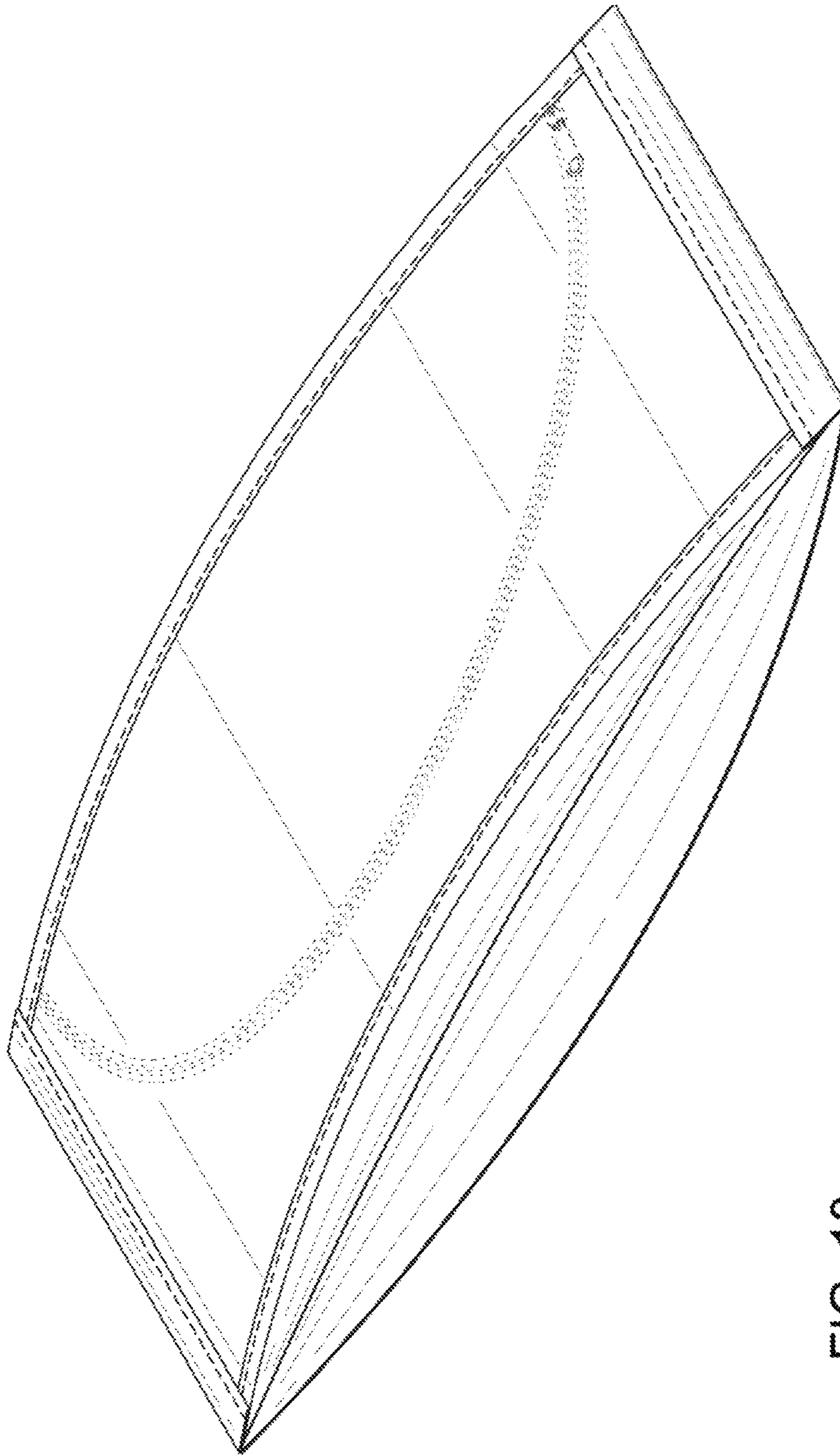


FIG. 18